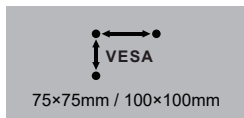
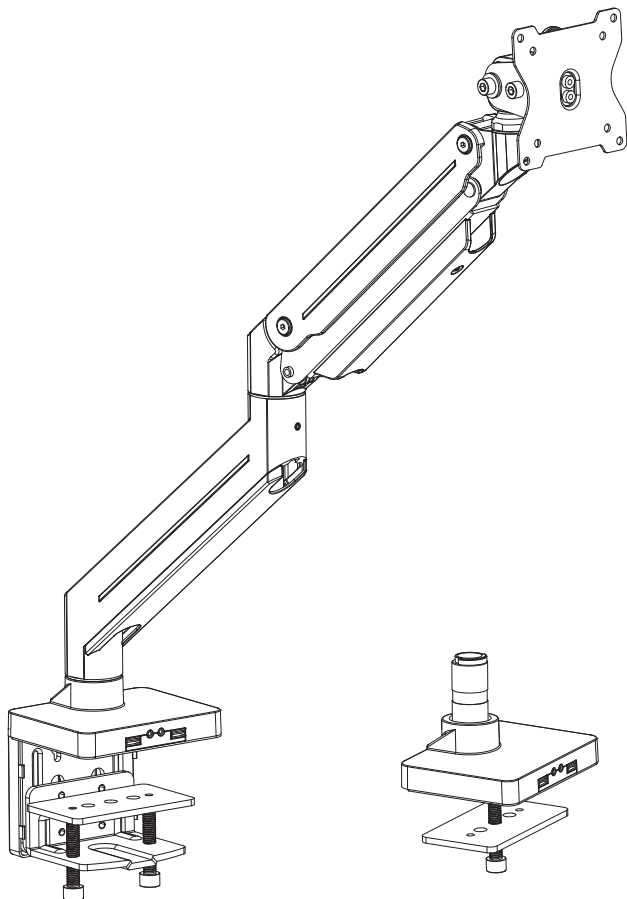

Premium Single Monitor Desk Mount

Instruction Manual



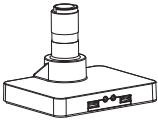
⚠ WARNING!

If you have any confusions or are not quite sure about the installation, please do not hesitate to ask for our help via Amazon.

Before assembly, please check and make sure all necessary accessories are included and undamaged. Improper installation, such as use the product for monitors over its load capacity or for any purpose not explicitly specified, may cause damage or serious injury. We would not be liable for any damage or injury caused by improper mounting or inappropriate use.

The kit contains small items that could be choking hazards if swallowed. Please keep them OUT OF REACH OF CHILDREN UNDER 3 YEARS OLD. ADULT SUPERVISION IS REQUIRED.

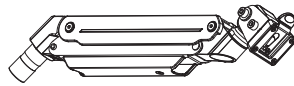
PACKAGE CONTENTS



A (x1)
Base



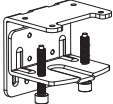
B (x1)
Lower Arm



C (x1)
Upper Arm



D (x1)
VESA Plate



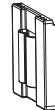
E (x1)
C-Clamp



F (x1)
Support Plate



G (x1)
Grommet Plate



H (x1)
Decorative Cover



I (x4)
Pad



J (x4)
Bolt

All are included in E



E1
Brace



E2
Clamp



E3 (x2)
Bolt



E4 (x4)
Bolt



K (x1)
3mm Allen Key



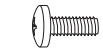
L (x1)
4mm Allen Key



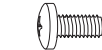
M (x1)
6mm Allen Key



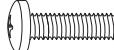
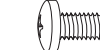
N (x2)
Metal Sheet



M-A (x4)
M4x12mm
M4x25mm



M-B (x4)
M5x12mm
M5x25mm



M-C (x4)
M6x12mm
M6x25mm



M-D (x4)
Washer D5mm



M-E (x8)
Spacer H5mm

NOTE: Not all hardware included will be used.



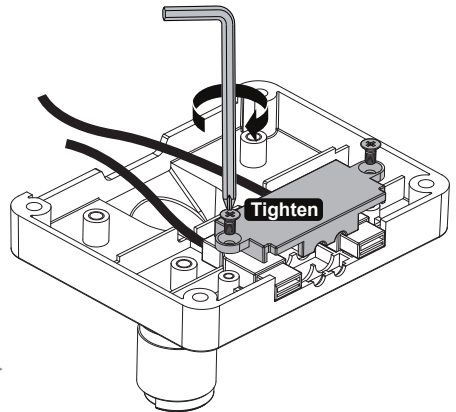
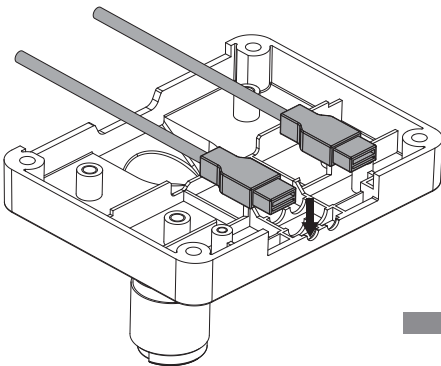
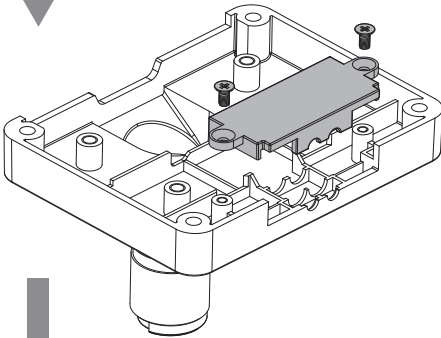
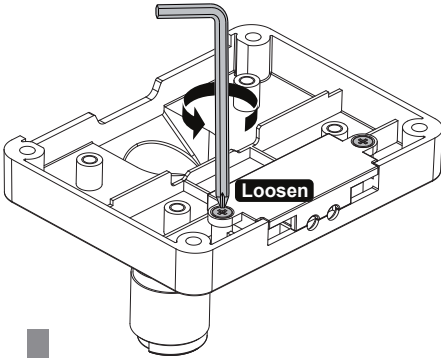
DO NOT EXCEED WEIGHT CAPACITY.

ASSEMBLY STEPS

Warm Tips

You could also refer to the Video Guide about installation on our product page.

If you need to mount the USB, please follow the steps below first.

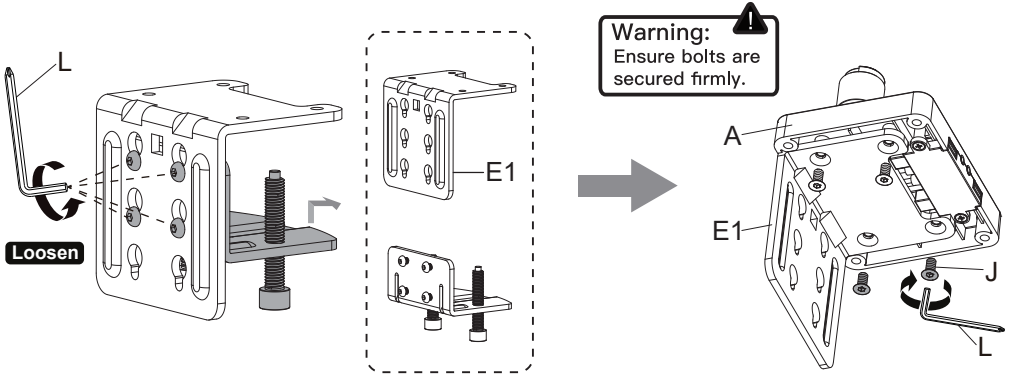


1. Install the Base

OPTION A: For Clamp Mounting

Firstly detach Brace (E1) from C-Clamp (E) with 4mm Allen Key (L).

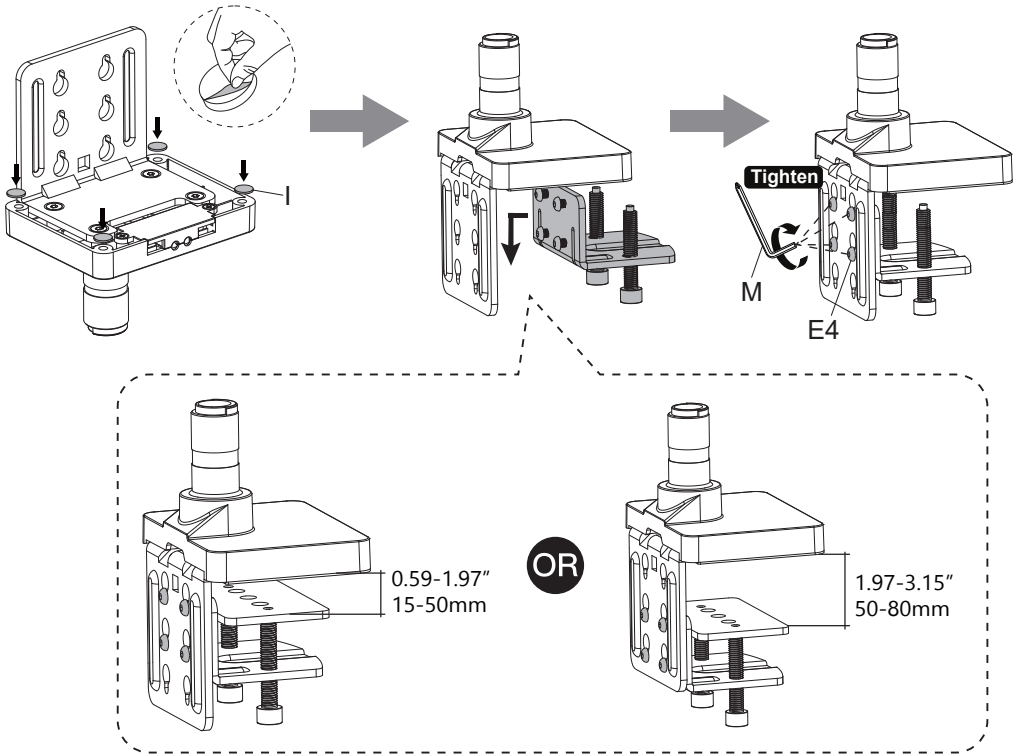
Mount Brace (E1) to the bottom of Base (A) by tightening Bolts (J) with 4mm Allen Key (L).



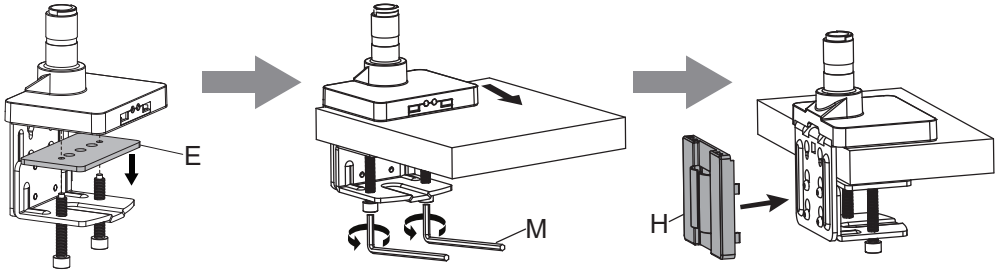
Apply Pads (I) to the base bottom to avoid desk scratches.

Attach the C-Clamp (E) to the Brace (E1).

Then tighten the Bolts (E4) with 4mm Allen Key (L).

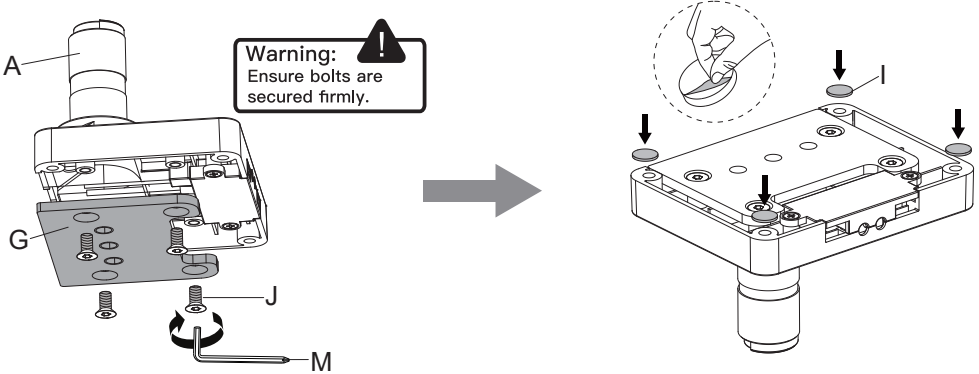


Attach the Support Plate (F) to bolts of C-Clamp (E).
Secure stand to the desktop by tightening Bolts (E3).
Finally attach the Decorative Cover (H) to the base.

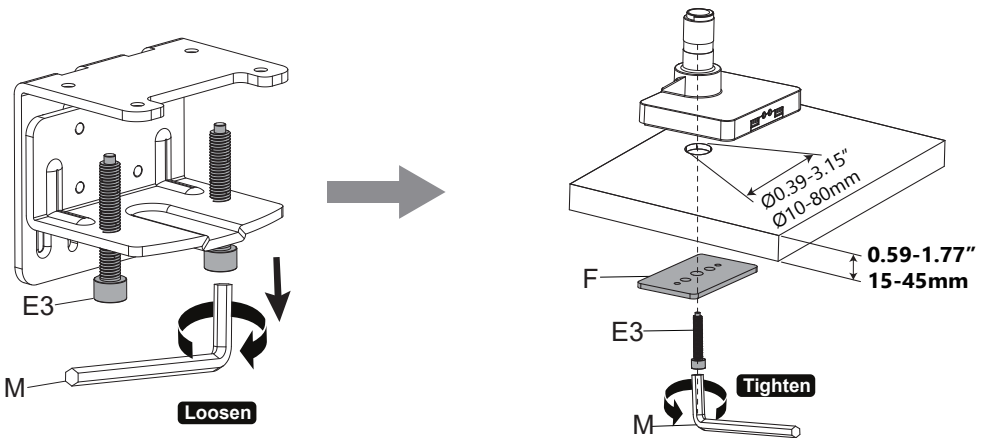


OPTION B: For Grommet Mounting

Mount Grommet Plate (G) to Base (A) bottom with Bolts (J) and tighten by 4mm Allen Key (M).
Apply Pad (I) to the base bottom to avoid desk scratches.

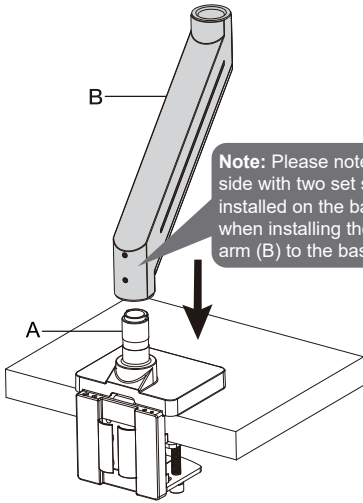


Detach two Bolts (E3) from C-Clamp (E) by using 4mm Allen Key (M).
Run two Bolts (E3) through Support Plate (F) and Grommet Hole on desktop, then tighten the Bolts (E3) with 6mm Allen Key (M).



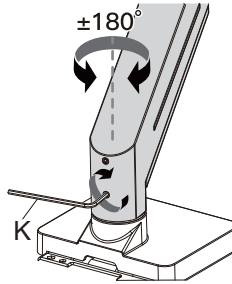
2. Install the Arms

Install the Lower Arm (B) and the Upper Arm (C) to the Base (A). Secure the arm by tightening the set screws using 3mm Allen Key (K).



OPTION A:

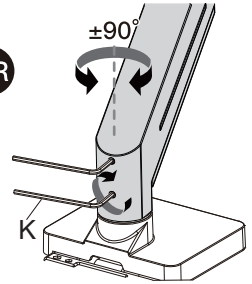
If you want to rotate $\pm 180^\circ$, just lock the lower set screw.



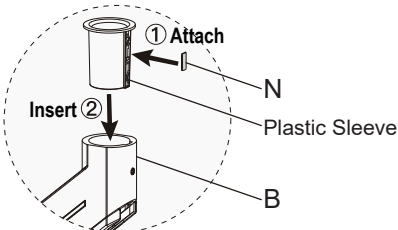
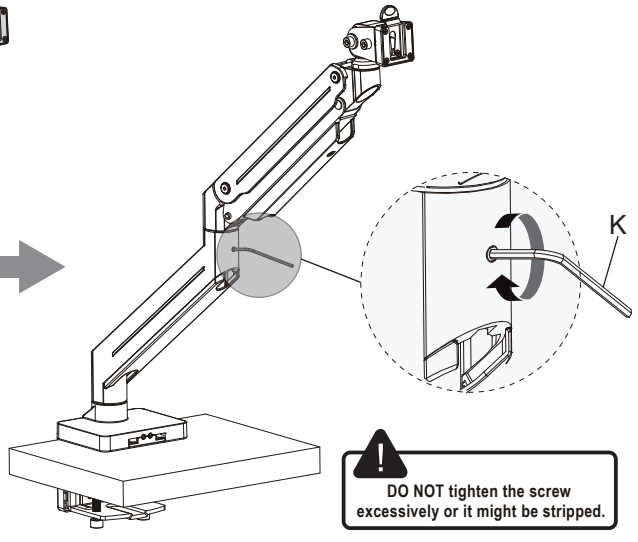
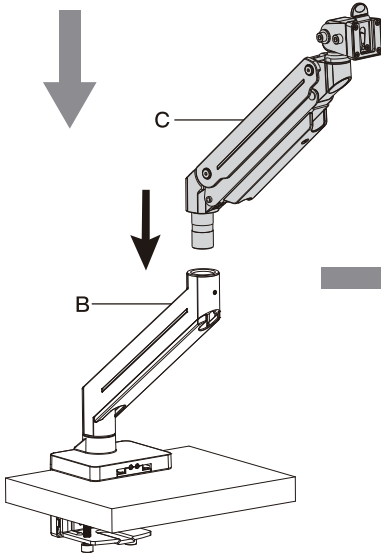
OPTION B:

If you want to rotate $\pm 90^\circ$, lock both two set screws.

OR



DO NOT tighten the screw excessively or it might be stripped.



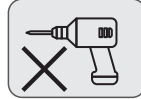
If Necessary

If metal sheet on plastic sleeve are loose, you can use spare metal sheet (N) for installation as shown in diagram.

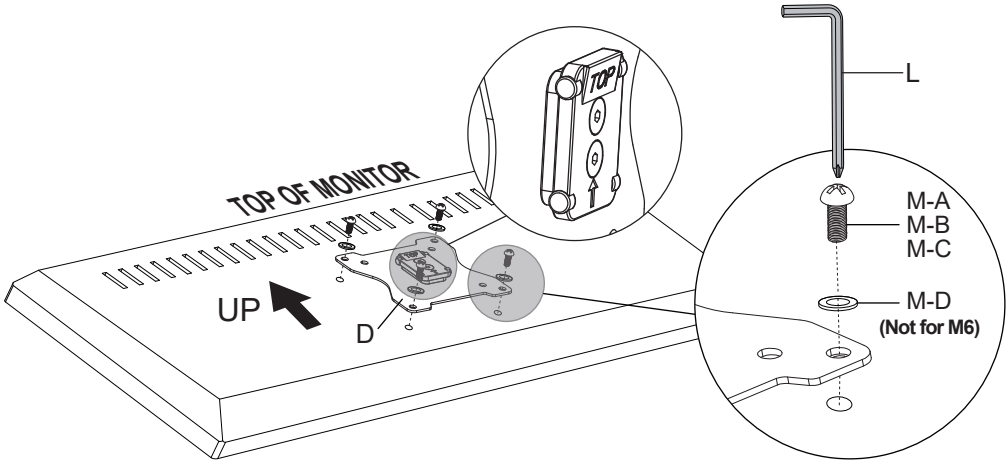
3. Attach Monitor

OPTION A: Flat Back Monitor

Attach the VESA Plate (D) to back of monitor and secure it with Screws (M-A or M-B or M-C) and Washers (M-D) using 4mm Allen Key (L).

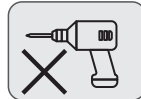


! Please make sure you don't tighten the screws much excessively or it may cause your monitor damage.

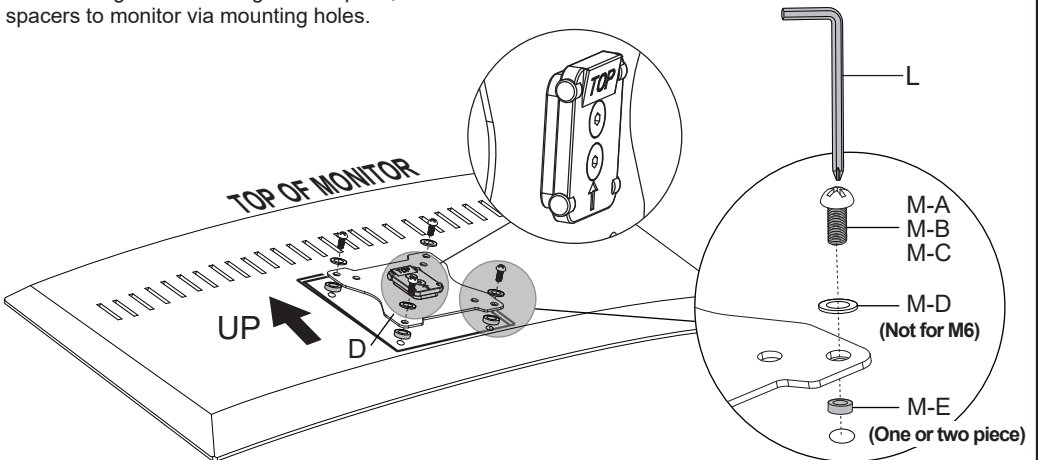


OPTION B: For Recessed / Curved Back Monitor

Attach the VESA Plate (D) to back of monitor and secure it with Screws (M-A or M-B or M-C), Washers (M-D) and Spacers (M-E) using 4mm Allen Key (L).
Put 4 spacers between VESA plate and monitor.
Install 4 long screws through VESA plate, spacers to monitor via mounting holes.



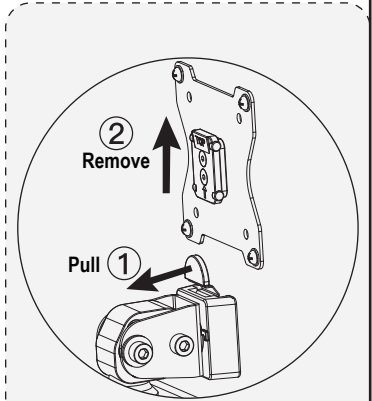
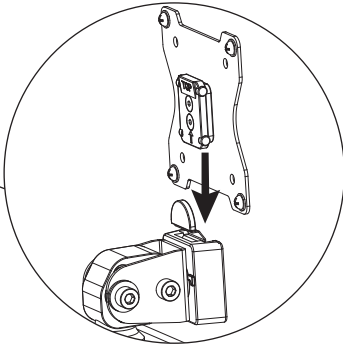
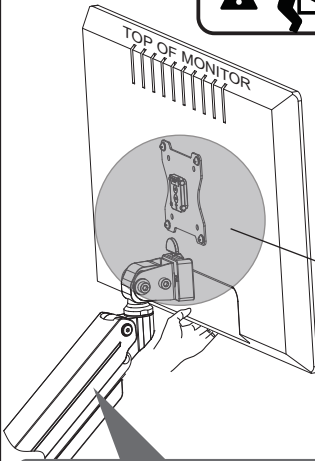
! Please make sure you don't tighten the screws much excessively or it may cause your monitor damage.



4. Hang Monitor



HEAVY! You may need assistance with this step.

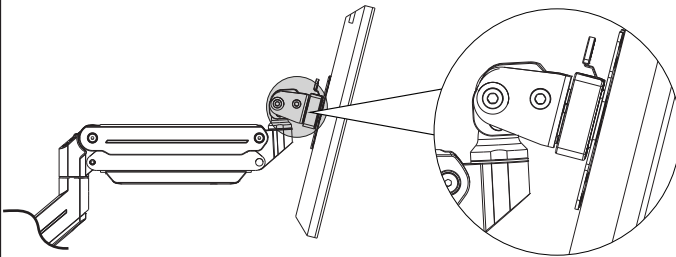


Important Notice:

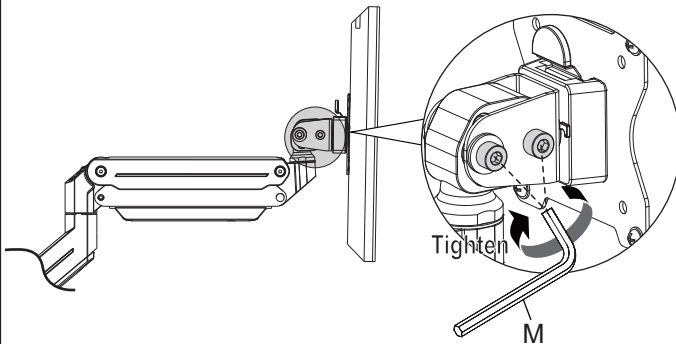
The pressure of the gas spring is initially set at the lowest value. So when the monitor is hung on, make sure you hold it with both hands and **DO NOT** let it go down suddenly.

Note: If you want to remove the monitor, pull the lock plate back and lift the monitor to separate the monitor from the arm.

5. Tilt Adjustment



Problem:
If monitor faces down.

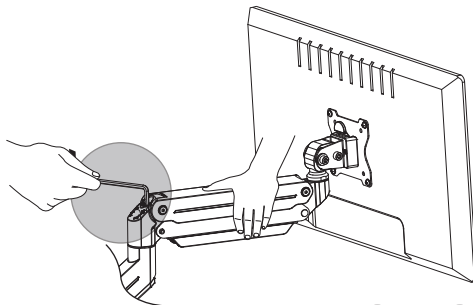
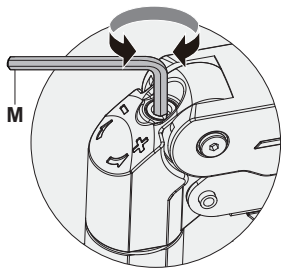


Solution:

1. Slightly loosen two preassembled bolts.
2. Adjust monitor to your desired tilt angle.
3. Retighten both bolts to secure the monitor in place.

6. Adjust Gas Spring Tension

For intended functioning of the mount, you may need to adjust the tension of Arm (C) in accordance with your monitor weight by 6mm Allen Key (M).

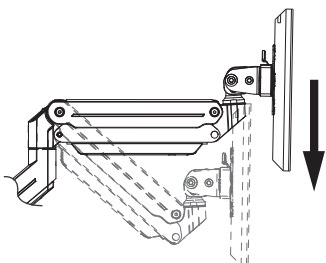


Note 1:

Be sure to keep the arm in a horizontal position during adjustment. Or else it would be difficult to adjust the mount or damage the mount.



CAUTION



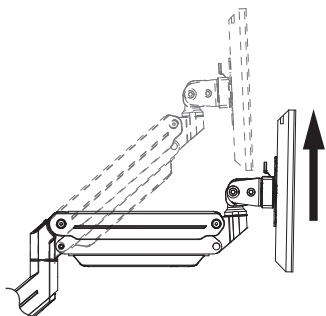
Situation 1: Arm falls down

Upper Arm with monitor falls down and fails to stay where intended.



Solution:

Turn the inside screw counterclockwise(“+”direction) to increase gas spring tension until the arm can stay as intended.



Situation 2: Arm rises up

Upper Arm with monitor rises up and fails to stay where intended.



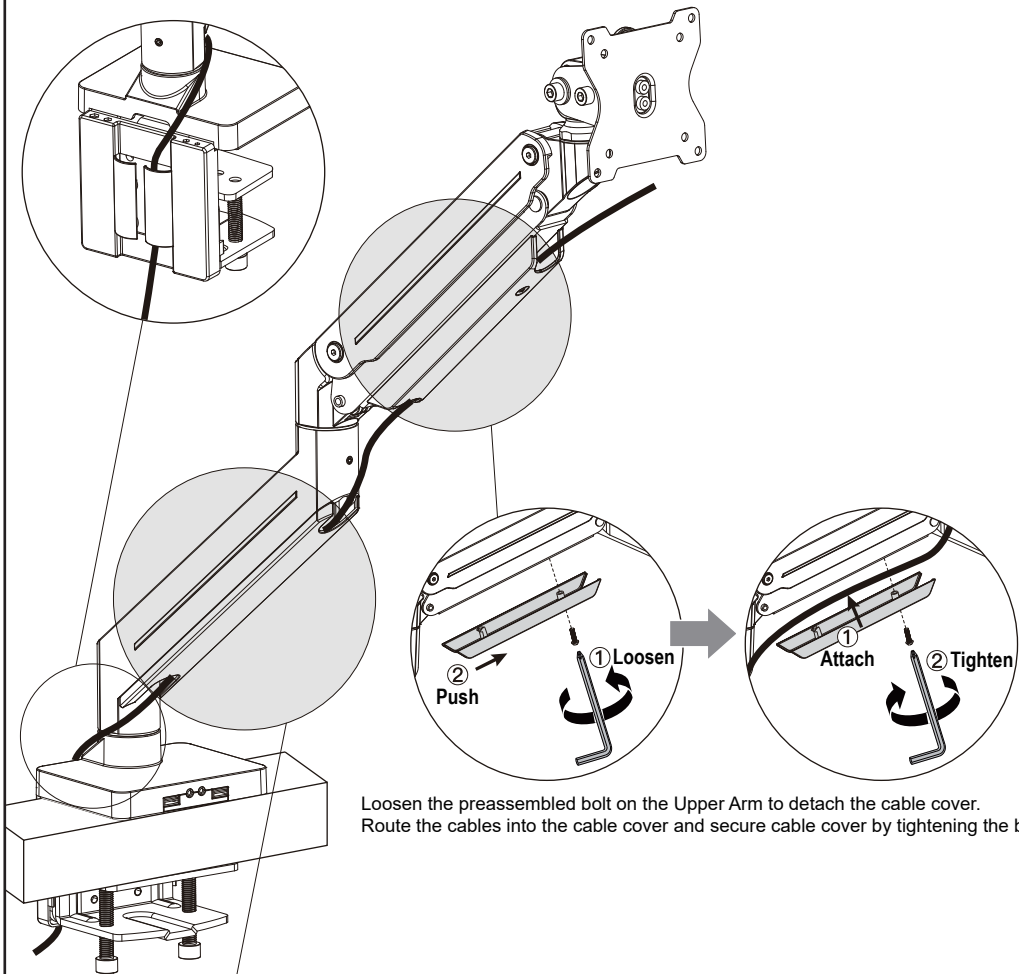
Solution:

Turn the inside screw clockwise(“-”direction) to decrease gas spring tension until the arm can stay as intended.

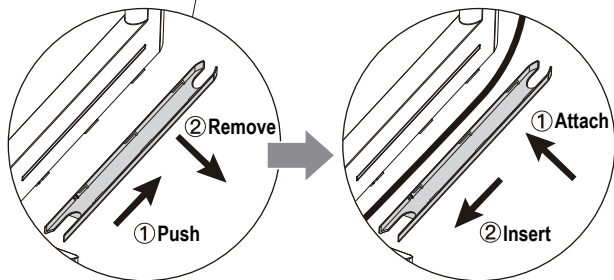
Note 2: For how many circles the screw should be turned, please refer to the table below.

Monitor Weight	2.2 lbs	4.4 lbs	6.6 lbs	8.8 lbs	11 lbs	13.2 lbs	15.4 lbs	17.6 lbs
Circles (AT LEAST)	min	2	3	4	5	6	7	9
Monitor Weight	19.8 lbs	22 lbs	24.3 lbs	26.5 lbs	28.7 lbs	30.9 lbs	33.1 lbs	37.5 lbs
Circles (AT LEAST)	10	11	12	14	15	17	18	21

7. Route Cables along the Arm



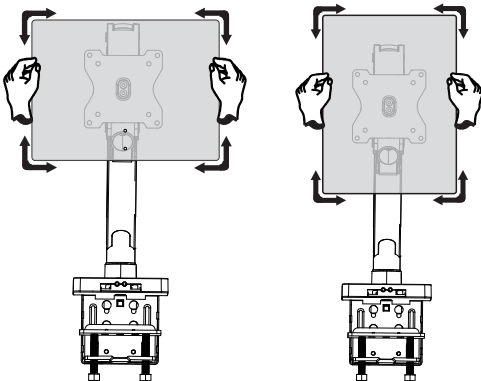
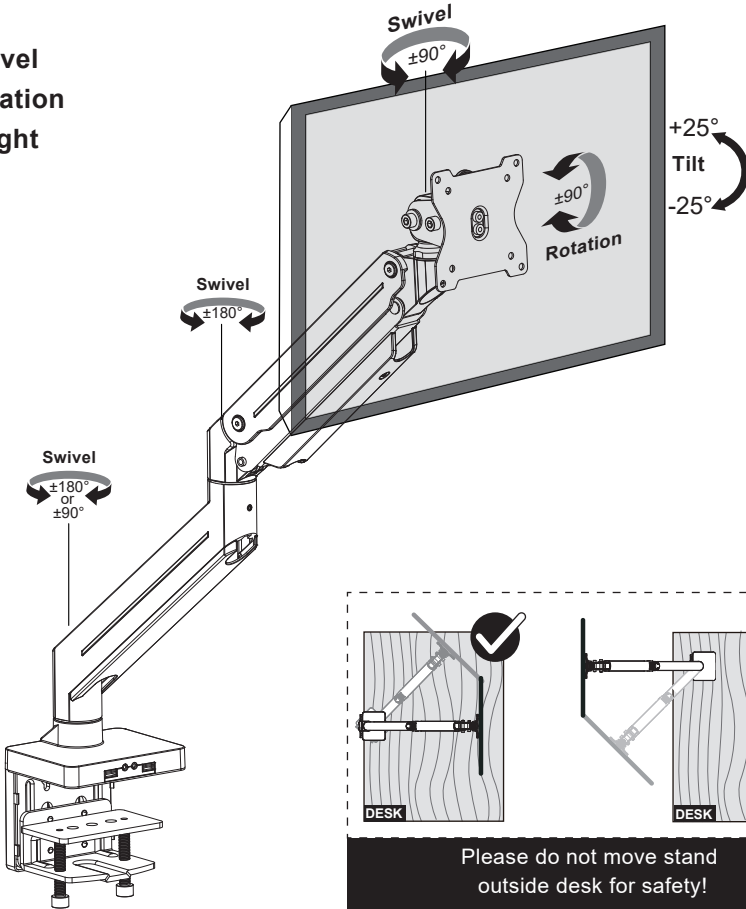
Loosen the preassembled bolt on the Upper Arm to detach the cable cover.
Route the cables into the cable cover and secure cable cover by tightening the bolt.



Remove the cable cover from lower arm as shown in the diagram.
Run cables through the cable cover, then insert and slide the cover down for reattachment.

Adjust as Desired

- ✓ Tilt
- ✓ Swivel
- ✓ Rotation
- ✓ Height



$\pm 90^\circ$ Rotation

This function works better for monitors with the center of gravity.

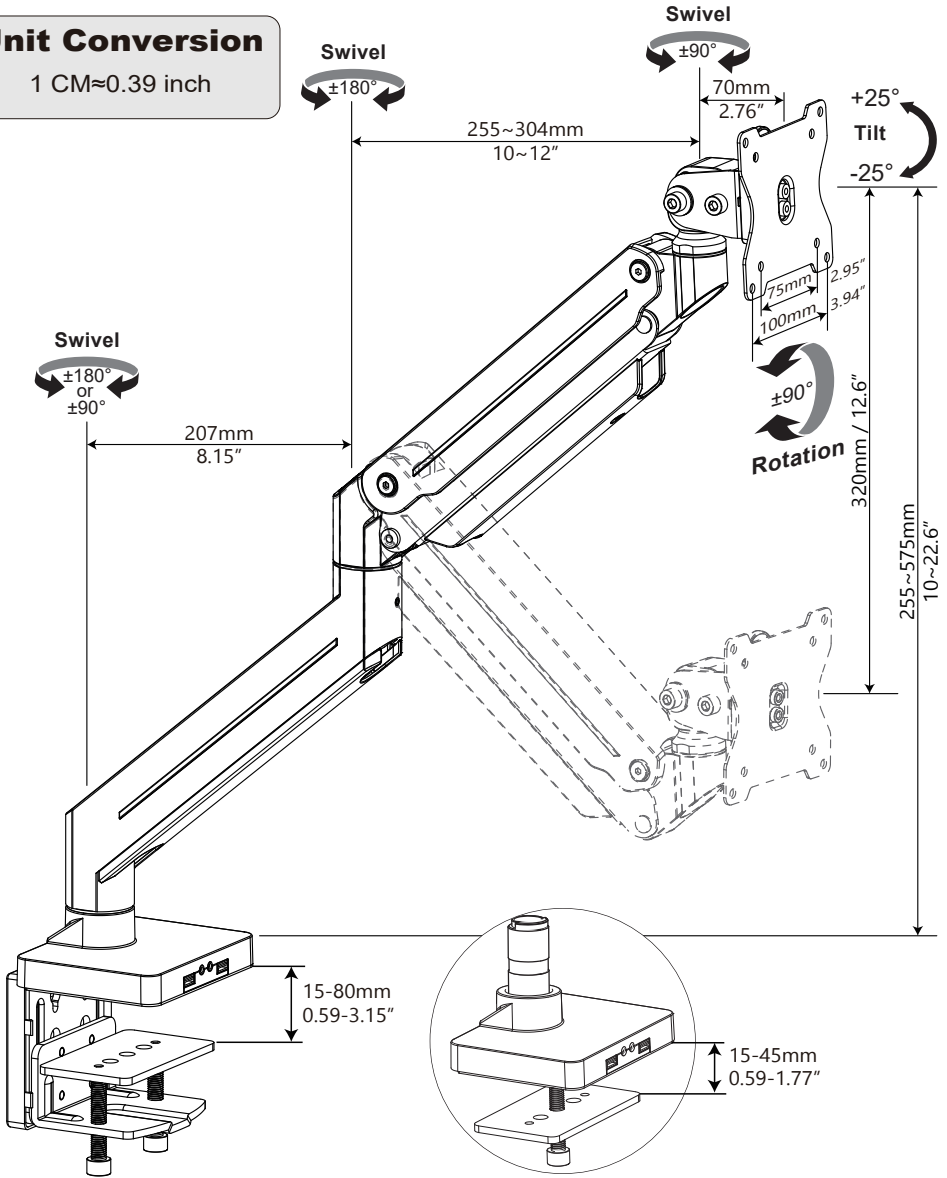
Note: To ensure stability, the tightness of the rotating axis has been preset, so it would be kind of difficult to rotate the VESA plate.

Suggestion: Please attach the monitor first, then hold the two sides of it with both hands, and rotate vigorously. If that doesn't work out, please do not hesitate to ask for our help via Amazon.

Product Dimensions

Unit Conversion

1 CM≈0.39 inch



⚠ CAUTION AND MAINTENANCE:

- Don't allow children to climb, stand, hang, or play on any part of monitor or stand.
- This product is intended for indoor use only. Using this product outdoors may lead to product damage or personal injury.
- Check if that the bracket is secure and safe to use at regular intervals (at least every three months).