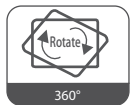
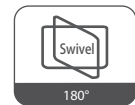
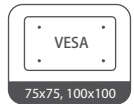
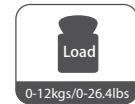
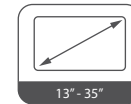


## Premium Single Monitor Desk Mount



Installation

**INSTRUCTIONS**

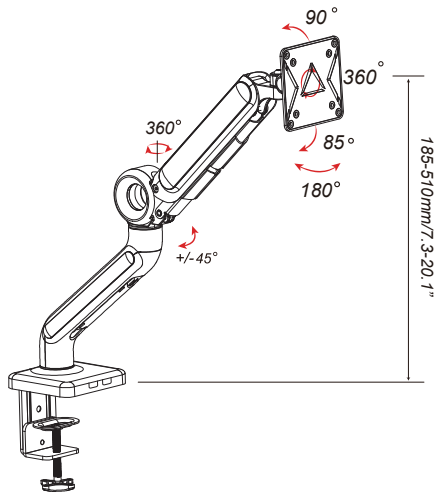
VM-GE61 US3.0

## WARNING STATEMENTS

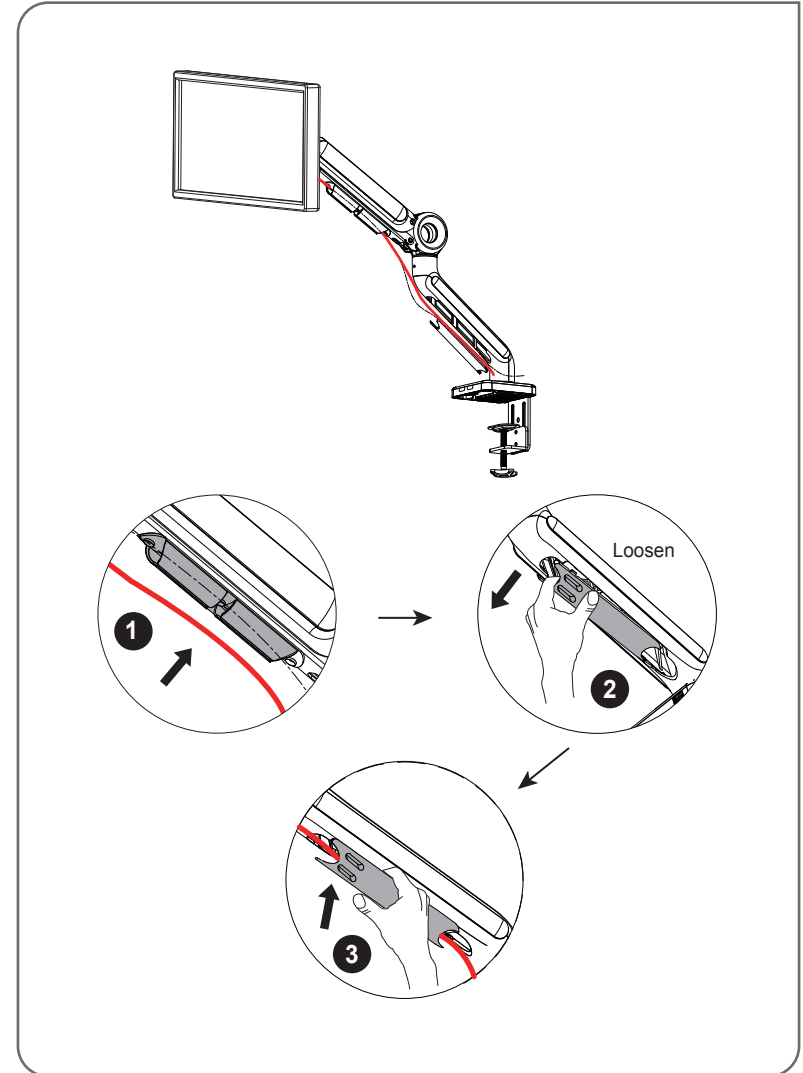
### Warning

- ⚠ Prior to the installation of this product, the installation instruction must be read and completely understood. Failure to do so may result in personal injury, property damage or voiding of factory warranty.
- ⚠ Do not install on a structure that is prone to vibration, movement or chance of impact. Reinforce the structure as required before installation.  
Make sure that the edge of table top is load-bearing enough.
- ⚠ The desk clamp can support a maximum thickness of 8.5 cm. Confirm the desk edge before installation.
- ⚠ Pay attention to the weight capacity of the mount. Exceeding the limitation can result in function unworkable or even serious personal injury and property damage.
- ⚠ Never operate the mount if parts are missing or damaged. Please contact our customer service team.

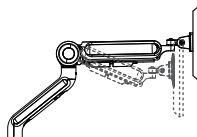
## PRODUCT LINE GRAPH



## Step 7: Cable Management Installation




Organize cables using the clips in the upper arms. Pull the lower cover out as shown, run cables through the lower arms and reattach the covers.



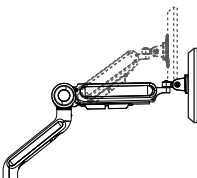
**Falls Down**

**Problem :**  
After being attached to the arm, the monitor falls down and can not stay at the desired height by itself.

**Solution :**




Turn counter-clockwise("+" direction) to increase gas spring tension until the monitor can stay at the desired height by itself.



**Rises up**

**Problem :**  
After being attached to the arm, the monitor rises up and can not stay at the desired height by itself.

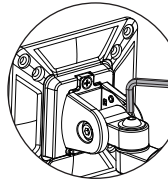
**Solution :**



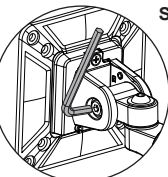
Turn clockwise("-" direction) to reduce gas spring tension until the monitor can stay at the desired height by itself.

### Step 6: Tilt & Swivel Adjustment

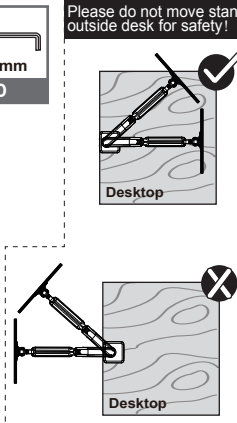
**VESA Swivel Adjustment**  
S=5mm

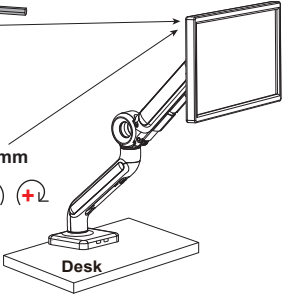


**VESA Tilt Adjustment**  
S=5mm



Please do not move stand outside desk for safety!










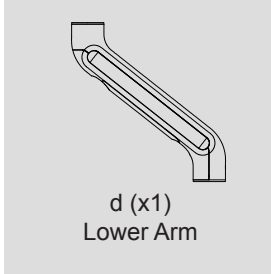
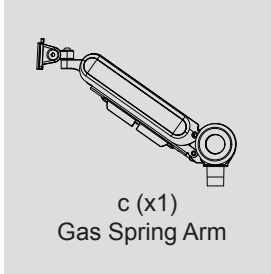
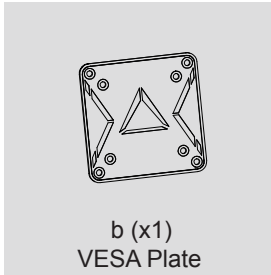
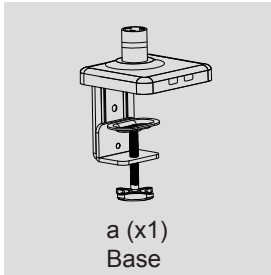


### TOOLS REQUIRED NOT INCLUDED



### PARTS INCLUDED

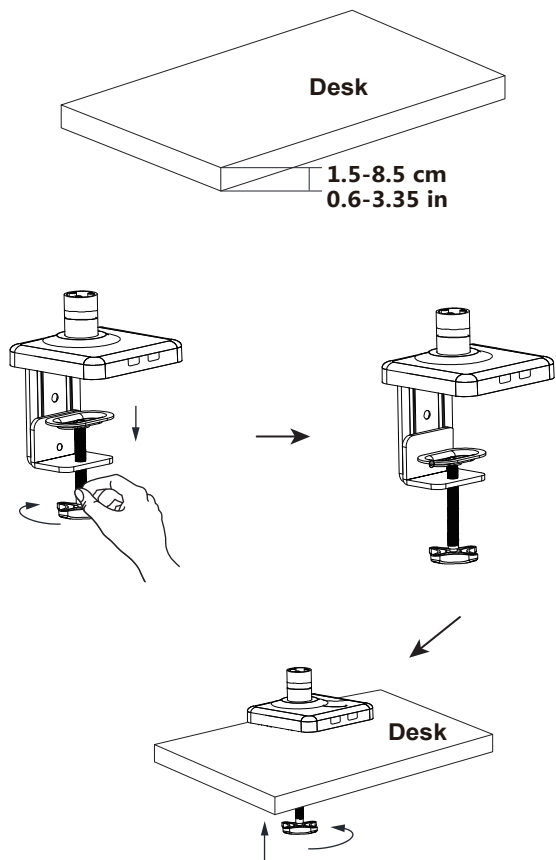
<b>A</b>	 M4x12 (x4)	 M4x30 (x4)	 12X5.8X16 (x4)
<b>B</b>	 S=3mm (x1)	 S=4mm (x1)	
<b>C</b>	 M4x10 (x1)	<b>D</b>	 S=5mm (x1)



Use a 5mm hex wrench to adjust the damp for Tilt and Swivel. Turn counter-clockwise to reduce damping and clockwise to increase damping.

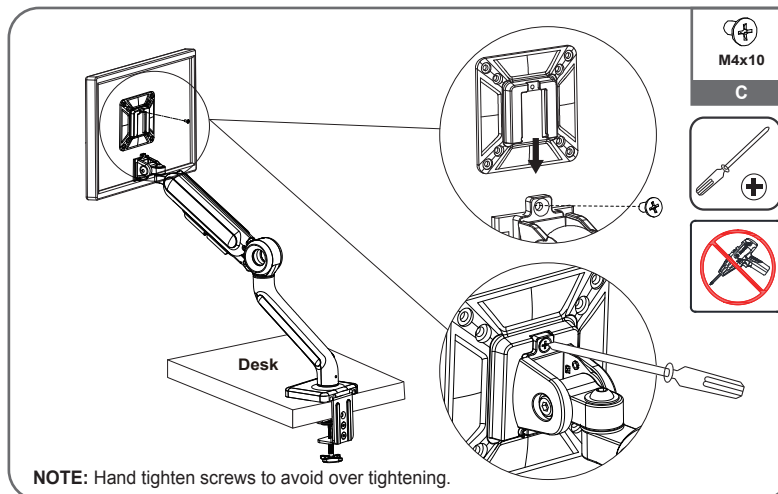
## Step 1: Clamp Installation OR Grommet Base Installation

**Option A:  
Clamp Installation.**  
After this step, then Step 2 on Page 6.



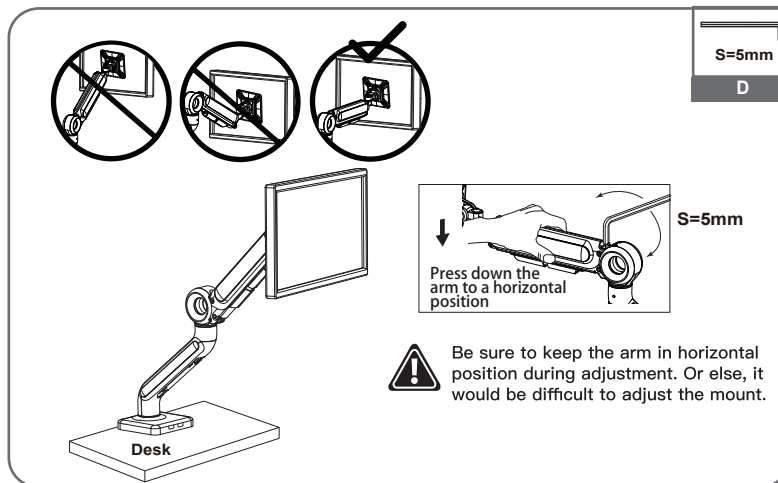
Adjust the Clamp width to fit with desk. Secure stand to desktop by tightening Clamp.

## Step 4: Hang Monitor



Slide the monitor onto the head of swivel arm, install the security bolt (C). Make sure the security bolt is installed before you rotate the monitor.

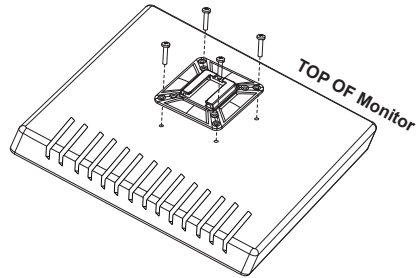
## Step 5: Adjust Tension



For proper functioning of this mount, depending on different weight of monitor you might need to adjust tension in the gas spring arm using 5 mm allen key (D).

### Step 3 : Attach Monitor

#### OPTION A: For Flat Back Monitor



**NOTE:** Hand tighten screws to avoid over tightening.



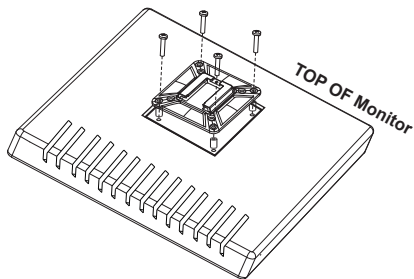
M4x12

A



Flat surface installation: Install 4 short screws through faceplate to monitor via mounting holes. Do not tighten the screws excessively or your monitor might be damaged.

#### OPTION B: For Recessed/Curved Back Monitor



**NOTE:** Hand tighten screws to avoid over tightening.



M4x30

A



12X5.8X16

A



Recessed surface installation: Put 4 spacers between faceplate and monitor. Install 4 long screws through faceplate, spacers to monitor via mounting holes. Do not tighten the screws excessively or your monitor might be damaged.

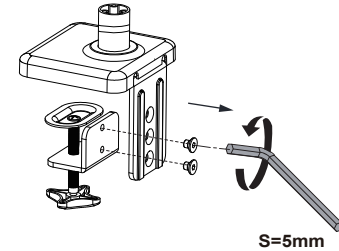
### Step 1: (Continued)

#### Option B: Grommet Base Installation

S=5mm

D

I

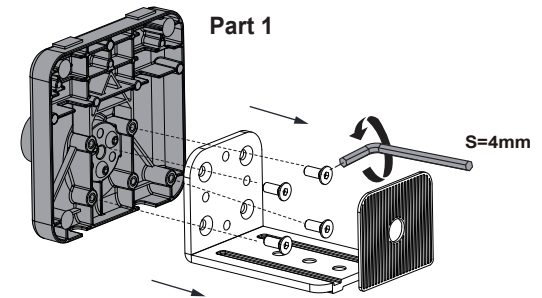


Remove the Two screws from the base by the short-head 5mm Allen key(D).

II

S=4mm

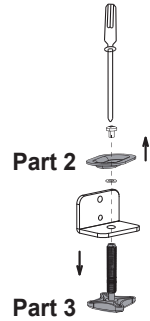
B



Remove the Four screws from the base by the short-head 4mm Allen key(B). Get Part 1 for using to step V.

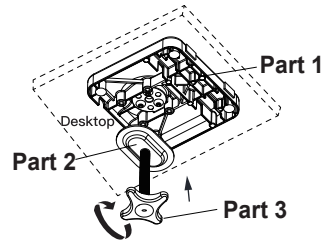
## Step 1: (Continued)

III



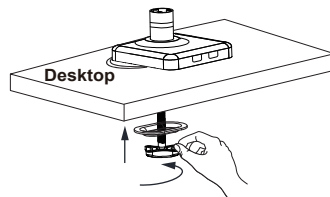
Remove the top screw with a Phillips screwdriver. Get part 2 and Part 3.

IV



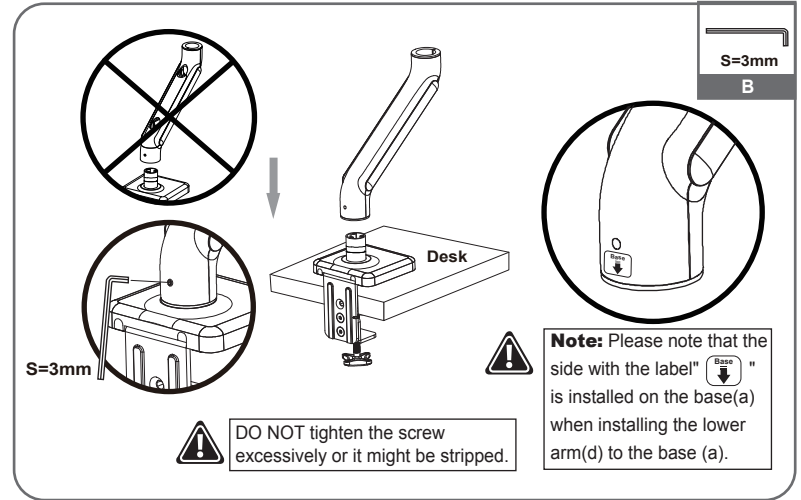
Run Carriage Bolt (Part 3) through Support Plate (Part 2), Grommet Hole on desktop and Part 1.

V

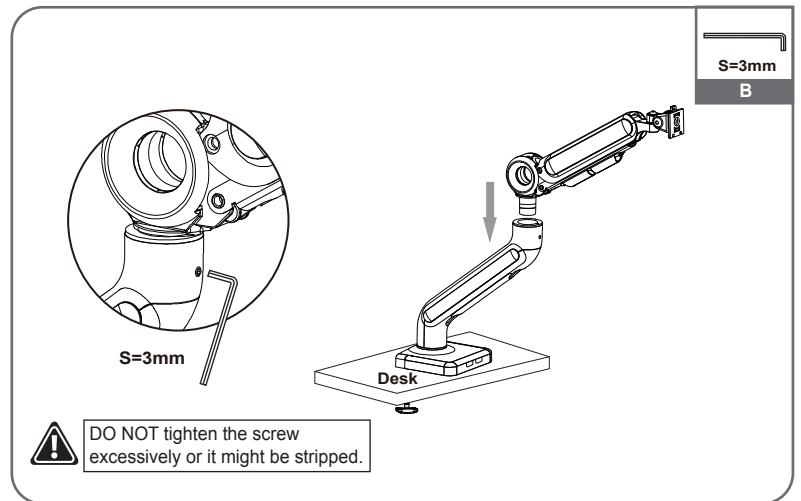


Last step, tighten Carriage Bolt (Part 3).

## Step 2 : Arm Installation



Install the lower arm (d) to the base (a).  
Secure the arm by tightening the inside screw using 3mm Allen key (B).



Insert the gas spring arm (C) above the lower arm and fasten the screw in the front.