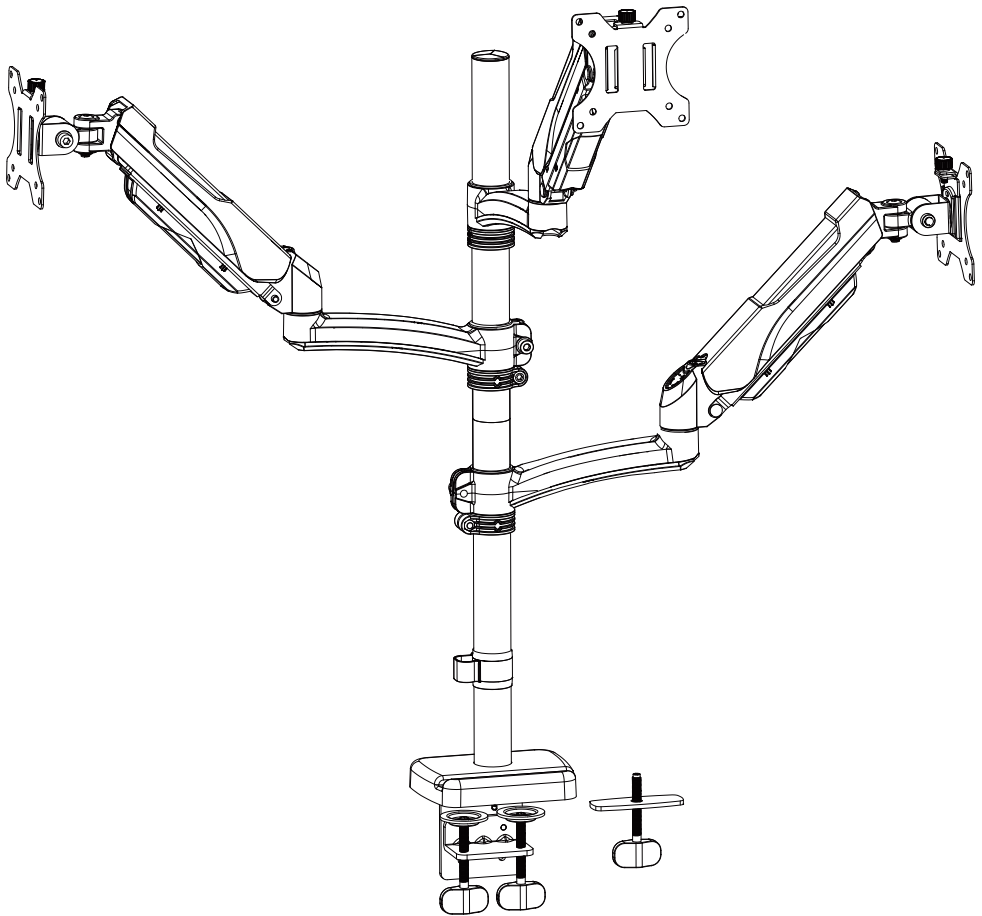


---

# Triple Monitor Counterbalance Desk Mount

## Instruction Manual



75×75mm  
100×100mm



Each Monitor:  
4.4 lbs ~ 19.8 lbs  
(2kg ~ 9kg)

MU-AHP-D63H\_US1.0

---

If you have any questions, please feel free to contact our customer support before returning.

# ⚠ Safety Caution

## BEFORE ASSEMBLY

- Layout all components and hardware. Check all parts are included and undamaged.
- Should anybody intends to install or use this mount, please read and understand this manual carefully.
- If you do not understand these instructions or have any doubt about the safety instructions, assembly or use of this product, please contact our customer service.

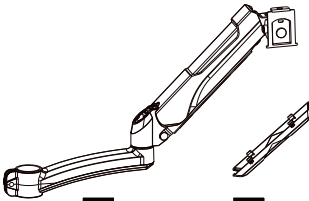
## WARNING

- This product contains small items that could be a choking hazard if swallowed.
- **KEEP AWAY FROM CHILDREN UNDER 3 YEARS OLD. ADULT SUPERVISION IS REQUIRED.**
- Improper installation, such as using the product for monitors over its load capacity or for any purpose not explicitly specified, may cause damage or serious injury. We would not be liable for any damage or injury caused by improper mounting or inappropriate use.

## CAUTION AND MAINTENANCE

- Never allow children to climb, stand, hang, or play on any part of monitor or stand.
- This product is intended for indoor use only. Using this product outdoors could lead to product failure and personal injury.
- Check that the bracket is secure and safe to use at regular intervals (at least every three months).

## PACKAGE CONTENTS

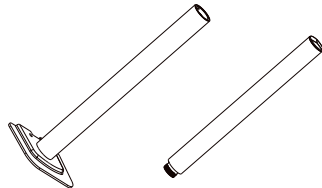


**1A (x3)**  
Arm

**1B (x3)**  
Cable Cover



**02 (x3)**  
VESA Plate



**3A (x1)**  
Lower Pole

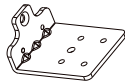
**3B (x1)**  
Upper Pole



**04 (x1)**  
Decorative Cover



**05 (x1)**  
Support Plate

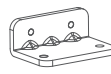


**06 (x1)**  
L Plate



**07 (x1)**  
Clamp

### All are included in 07



7-1  
Bracket



7-2  
Clip Plate



7-3  
Bolt



7-4  
screw



7-5  
Washer



**A (x2)**  
Bolt M6×8mm



**B (x2)**  
Bolt M6×10mm



**C (x1)**  
Bolt M8×10mm



**D1 (x1)**  
5mm Allen Key



**D2 (x1)**  
6mm Allen Key



**D3 (x1)**  
2.5mm Allen Key



**E (x3)**  
Pad



**F (x3)**  
Security Bolt



**G (x1)**  
Cable Clip



**H (x3)**  
Fixator



**I (x1)**  
Set Screw M5×5mm



**M-A (x12)**  
Screw M4×12mm



**M-B (x12)**  
Screw M4×30mm



**M-C (x12)**  
Washer d5mm

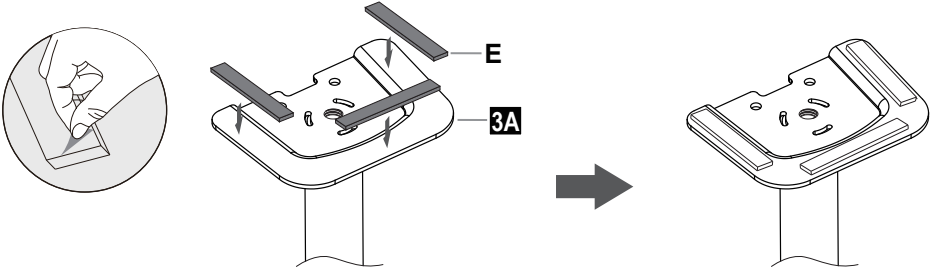


**M-D (x24)**  
Spacer H5mm

# ASSEMBLY STEPS

## STEP 1: Apply Pads to the Base Bottom

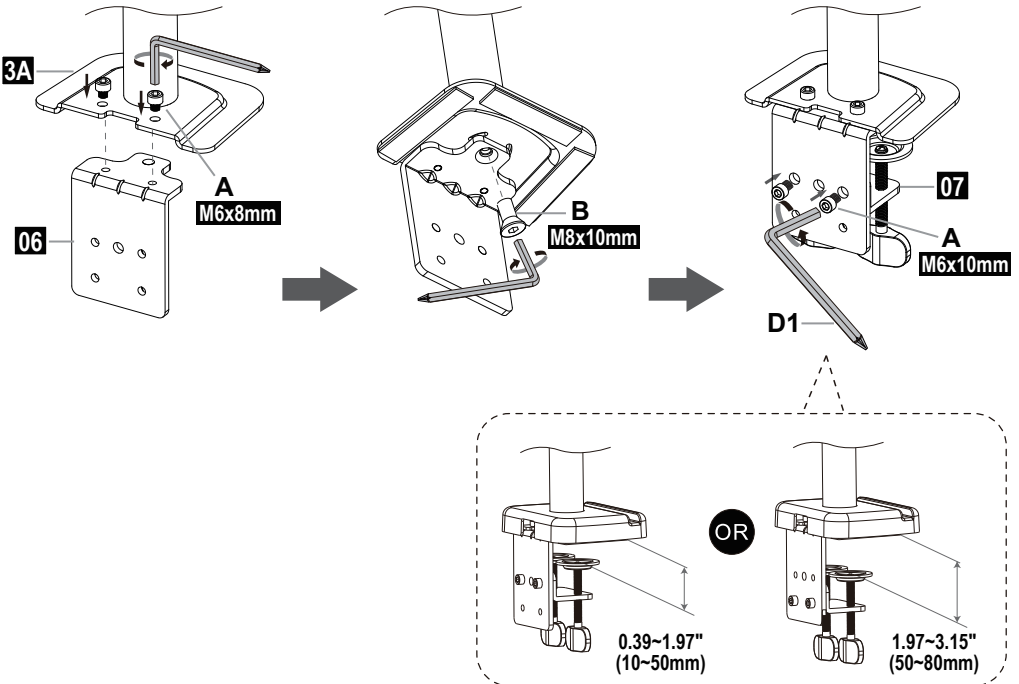
Apply the pads (E) onto the bottom of lower pole (3A) to avoid desk scratches.



## STEP 2: Clamp Installation or Grommet Base Installation

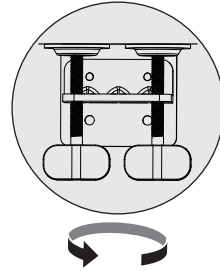
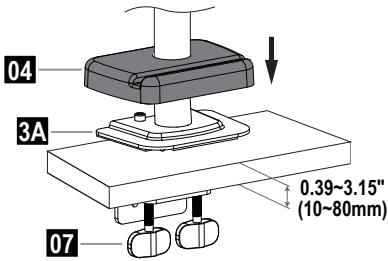
### OPTION A : Clamp Installation

1. Connect the base of lower pole (3A) and the L plate (06) by using the screws (A).
2. Tighten the screw (B).
3. Connect the clamp (07) and the L plate (06) by using the screws (A).



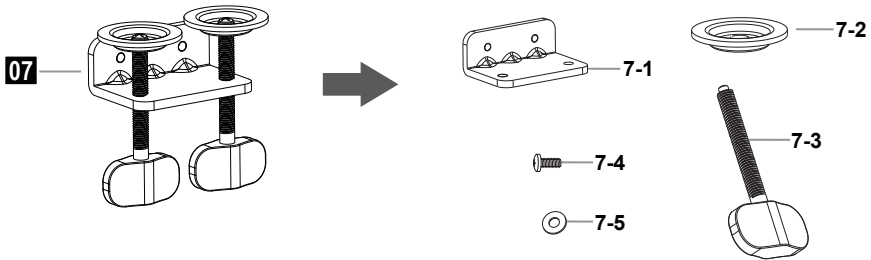
## STEP 2: Continued

Fix the decorative cover (04) to the base of lower pole (3A) and fix the bracket on the table by tightening the clamp (07).

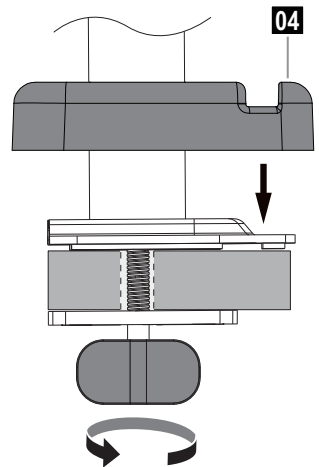
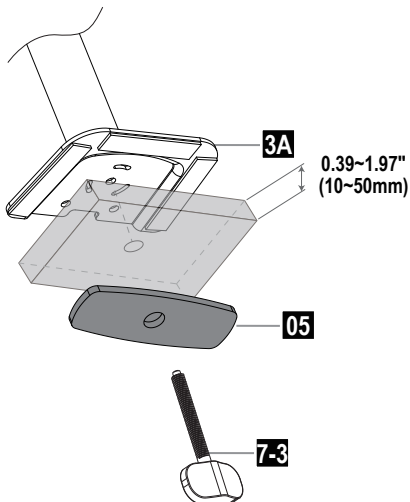


### OPTION B: Grommet Base Installation

Detach the bolt (7-3) from the clamp (07).

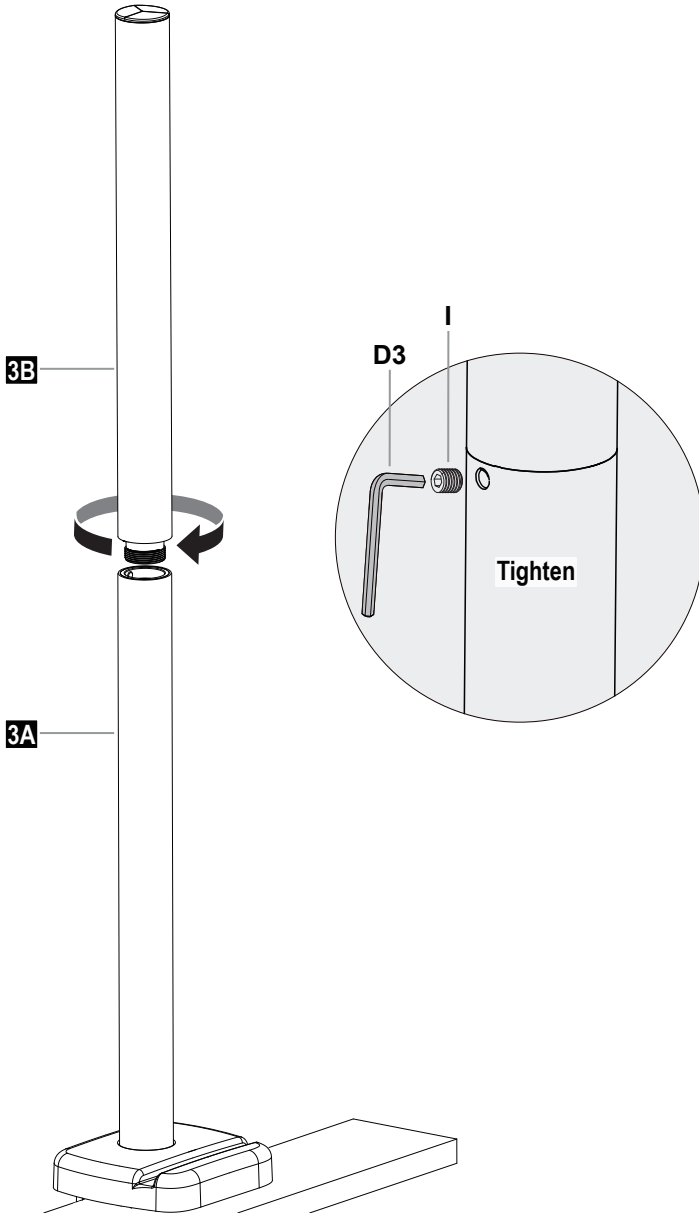


Use the bolt (7-3) through the hole on support plate (05) to fix the lower pole (3A) and the table board together. Install the decorative cover (04) to base finally.



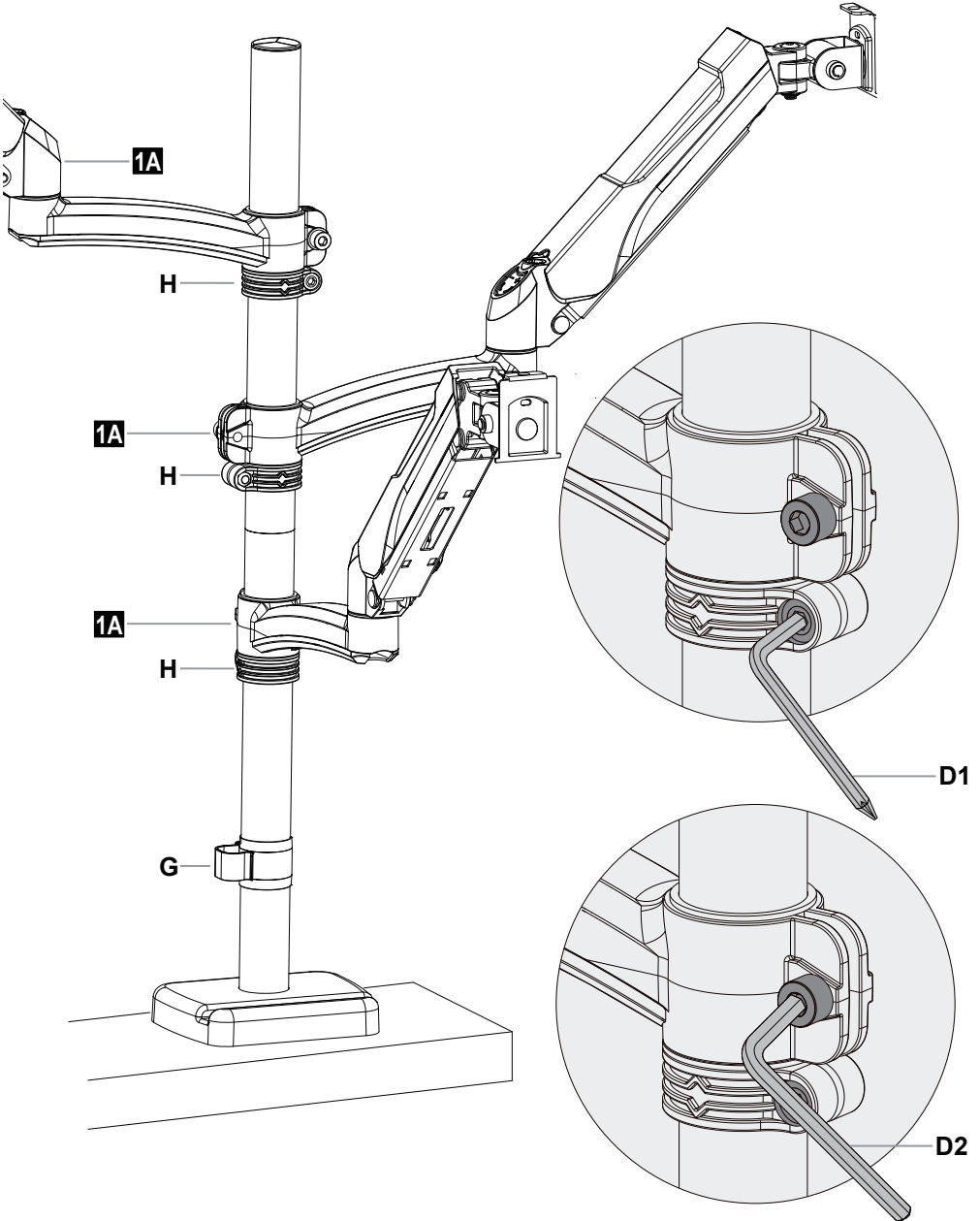
## STEP 3: Pole Installation

Assemble the lower pole (3A) and the upper pole (3B) together. Secure the pole assembly with the preassembled screw (I) and Allen key (D3).



## STEP 4: Arm Installation

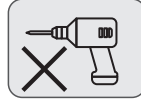
Install the cable clip (G), fixator (H) and arm (1A) to the pole as shown below. Then fasten the bolts with Allen key (D1, D2).



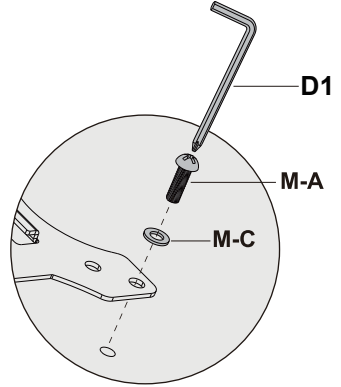
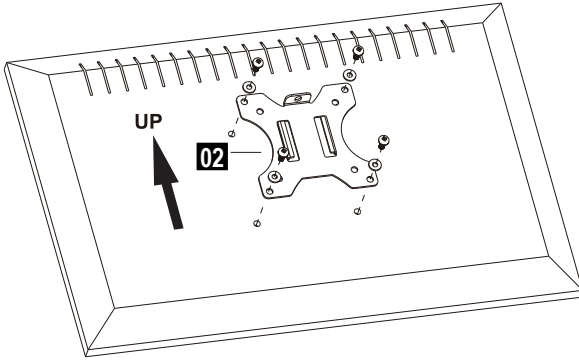
# STEP 5: Attach Monitor

## OPTION A: Flat Back Monitor

Attach the VESA plate (02) to back of monitor and secure it with screws and washers by using Allen key (D1).



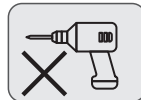
**!** Please make sure you don't tighten the screws much excessively or it may cause your monitor damage.



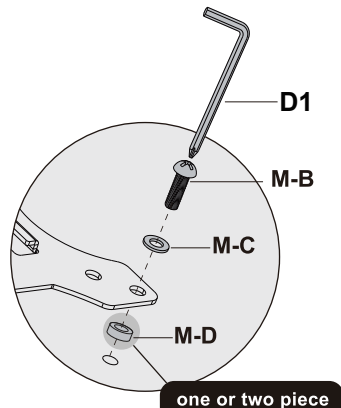
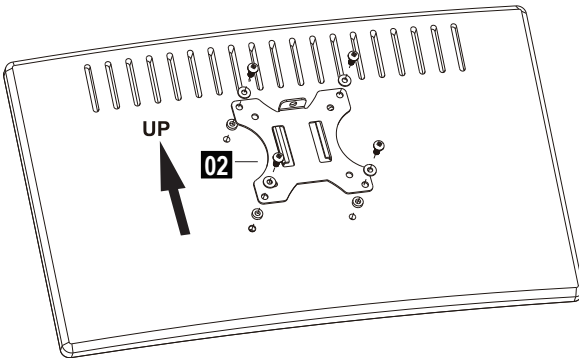
## OPTION B: For Recessed / Curved Back Monitor

Attach the VESA plate (02) to back of monitor and secure it with screws, washers and spacers by using Allen key (D1).

Put 4 spacers between VESA plate and monitor. Install 4 long screws through VESA plate, spacers to monitor via mounting holes.



**!** Please make sure you don't tighten the screws much excessively or it may cause your monitor damage.

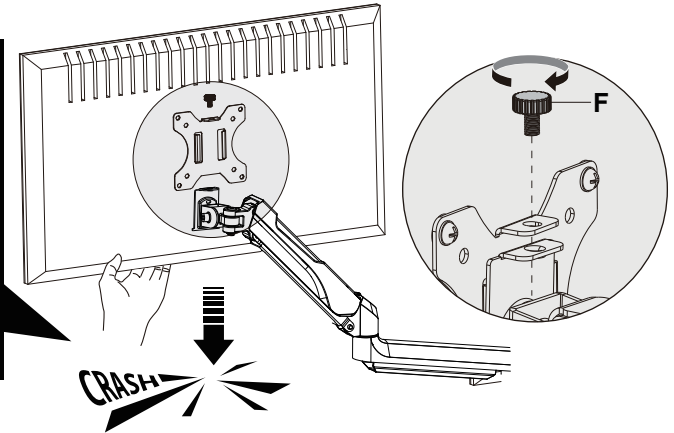


## STEP 6: Hang Monitor

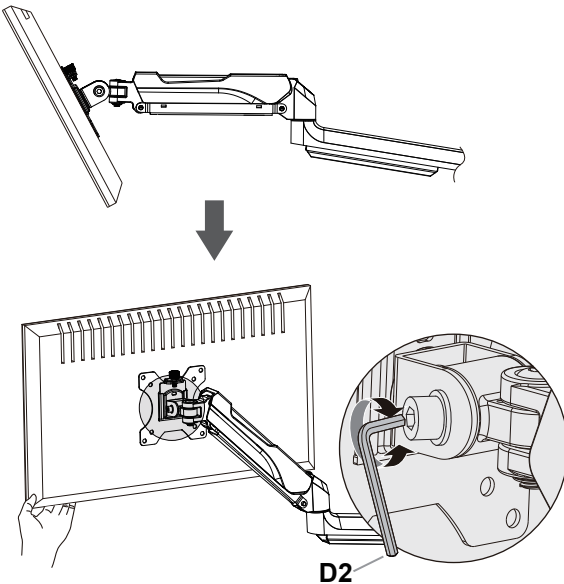
Slide the monitor onto the head of arm (1A), then install the security bolts (F). Make sure the security bolts (F) is installed before you rotate the monitor.

### Attention:

The initial pressure value of the gas spring is set to a minimum value. So when the monitor is hung on, you need to hold it with both hands and leave the monitor in a slow and gentle way. DO NOT let it go down suddenly.



refer to below illuminations to adjust tilting angle of your monitor



### Problem:

If the monitor is facing down.

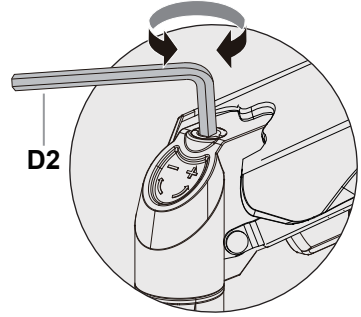
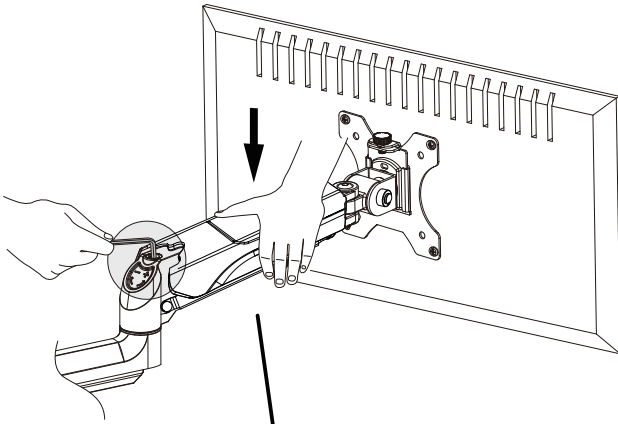
### Solution:

1. Loosen the tilting bolt.
2. Hold the bottom of monitor with one hand and adjust to determine your desired tilt angle.
3. Retighten the tilting bolt towards "+" to fix the angle.

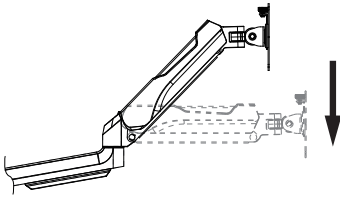


# STEP 7: Tension Adjustment


For intended functioning of the mount, you will need to adjust the tension of arm in accordance with your monitor weight by 6mm Allen key (D2).

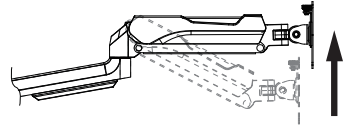


**Note:** If the bolt is covered over, please hold the upper arm and press it down to maintain a horizontal position, and then you can see the adjustment screw at the joint. Be sure to keep the arm in a horizontal position during adjustment.




**Situation 1: Arm falls down**  
Upper Arm with monitor falls down and fails to stay where intended.

**Solution:**   
Turn the inside screw counterclockwise (“+” direction) to increase gas spring tension until the arm can stay as intended.



**Situation 2: Arm rises up or can't press down**  
Upper Arm with monitor rises up and fails to stay where intended.

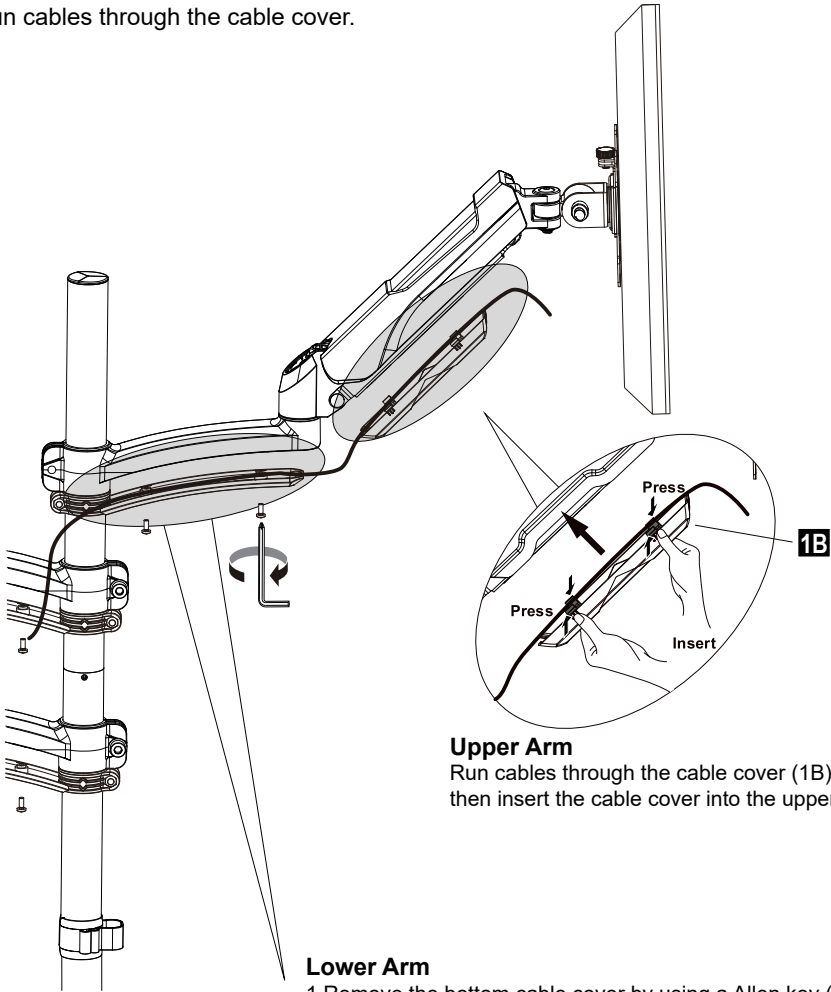
**Solution:**   
Turn the inside screw clockwise (“-” direction) to decrease gas spring tension until the arm can stay as intended.

**Note:** For how many circles the screw should be turned, please refer to the table below.

Monitor Weight	4.4 lbs	6.6 lbs	8.8 lbs	11 lbs	13.2 lbs	15.4 lbs	17.6 lbs	19.8 lbs
Circles (AT LEAST)	min	2	4	6	8	10	12	15

# STEP 8: Cable Management

Run cables through the cable cover.

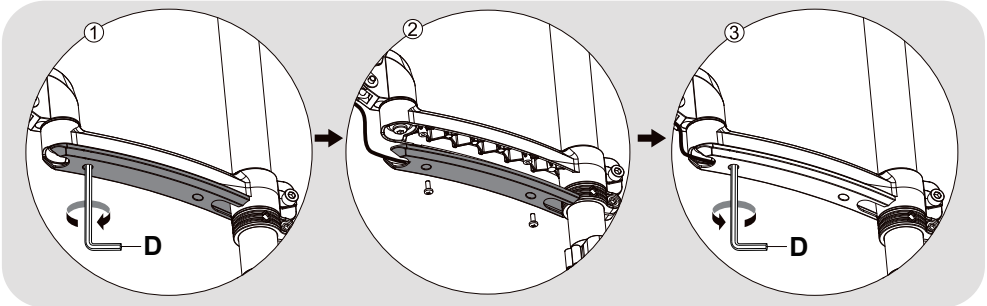


## Upper Arm

Run cables through the cable cover (1B), then insert the cable cover into the upper arm.

## Lower Arm

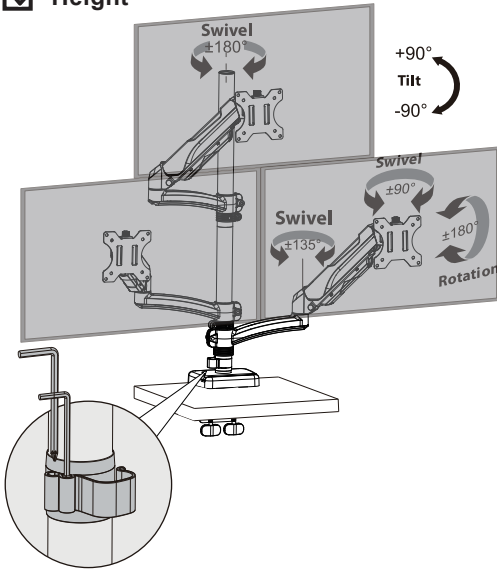
1. Remove the bottom cable cover by using a Allen key (D1).
2. Run cables through the cable cover.
3. Install and fix the cable cover on the arm by using a Allen key (D1).



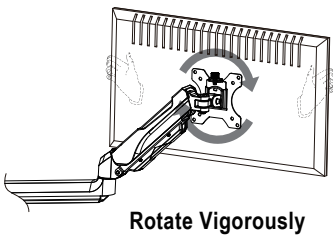
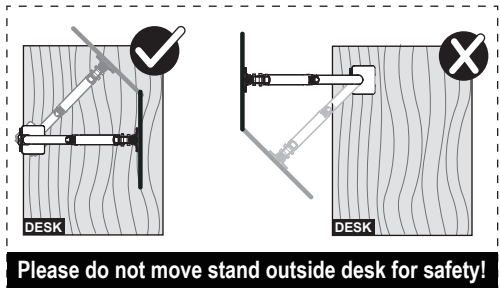
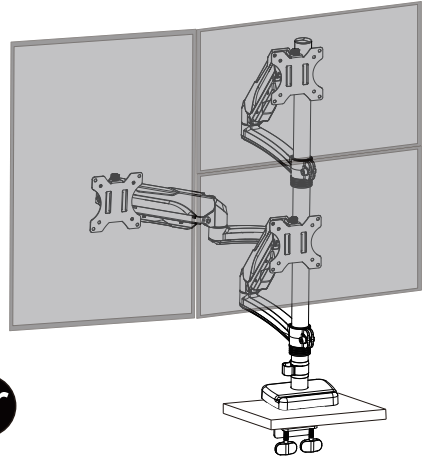
# Adjust as Desired

Adjust monitor position and rotation. Store Allen keys in cable clip for future use.

- Tilt
- Swivel
- Rotation
- Height



or



**Note:** To ensure stability, the tightness of the rotating axis has been preset, so it would be kind of difficult to rotate the VESA plate.

**Suggestion:** Please attach the monitor first, then hold the two sides of it with both hands, and rotate vigorously. If that doesn't work out, please do not hesitate to ask for our help.

# Product Dimensions

