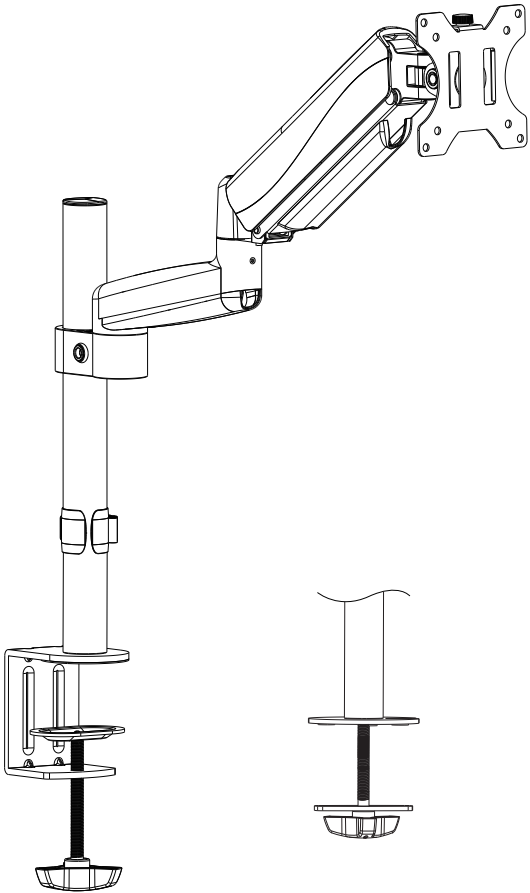


---

# Height Adjustable Single Monitor Desk Mount

## Instruction Manual



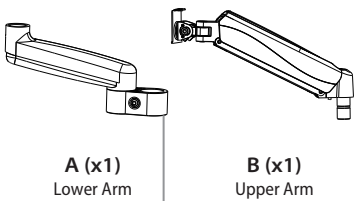
# ! WARNING!

If you have any confusions or are not quite sure about the installation, please do not hesitate to ask for our help.

Before assembly, please check and make sure all necessary accessories are included and undamaged. Improper installation, such as use the product for monitors over its load capacity or for any purpose not explicitly specified, may cause damage or serious injury. We would not be liable for any damage or injury caused by improper mounting or inappropriate use.

The kit contains small items that could be choking hazards if swallowed. Please keep them OUT OF REACH OF CHILDREN UNDER 3 YEARS OLD. ADULT SUPERVISION IS REQUIRED.

## PACKAGE CONTENTS



**A (x1)**  
Lower Arm

**B (x1)**  
Upper Arm

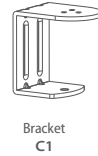


**B1 (x1)**  
Cable Cover



**C (x1)**  
Clamp

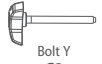
All are included in C



**Bracket C1**



**Clip Plate C2**

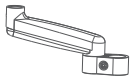


**Bolt Y C3**



**Bolt C4**

All are included in A



**A1**



**A2**



**D(x1)**  
Pole



**E (x1)**  
VESA Plate



**F (x1)**  
Wire clip



**G (x3)**  
Bolt



**H (x1)**  
Safety Bolt



**I (x1)**  
Support Plate



**J (x1)**  
Base Plate



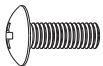
**K(x1)**  
3mm Allen Key



**L(x1)**  
4mm Allen Key



**M(x1)**  
6mm Allen Key



**M-A (x4)**  
M4x12mm



**M-B (x4)**  
M4x25mm



**M-C (x4)**  
Spacer H10mm



**M-D (x2)**  
M6x6mm  
(Spare)

**NOTE:** Not all hardware included will be used.



3~12kg  
6.6~26.5lbs

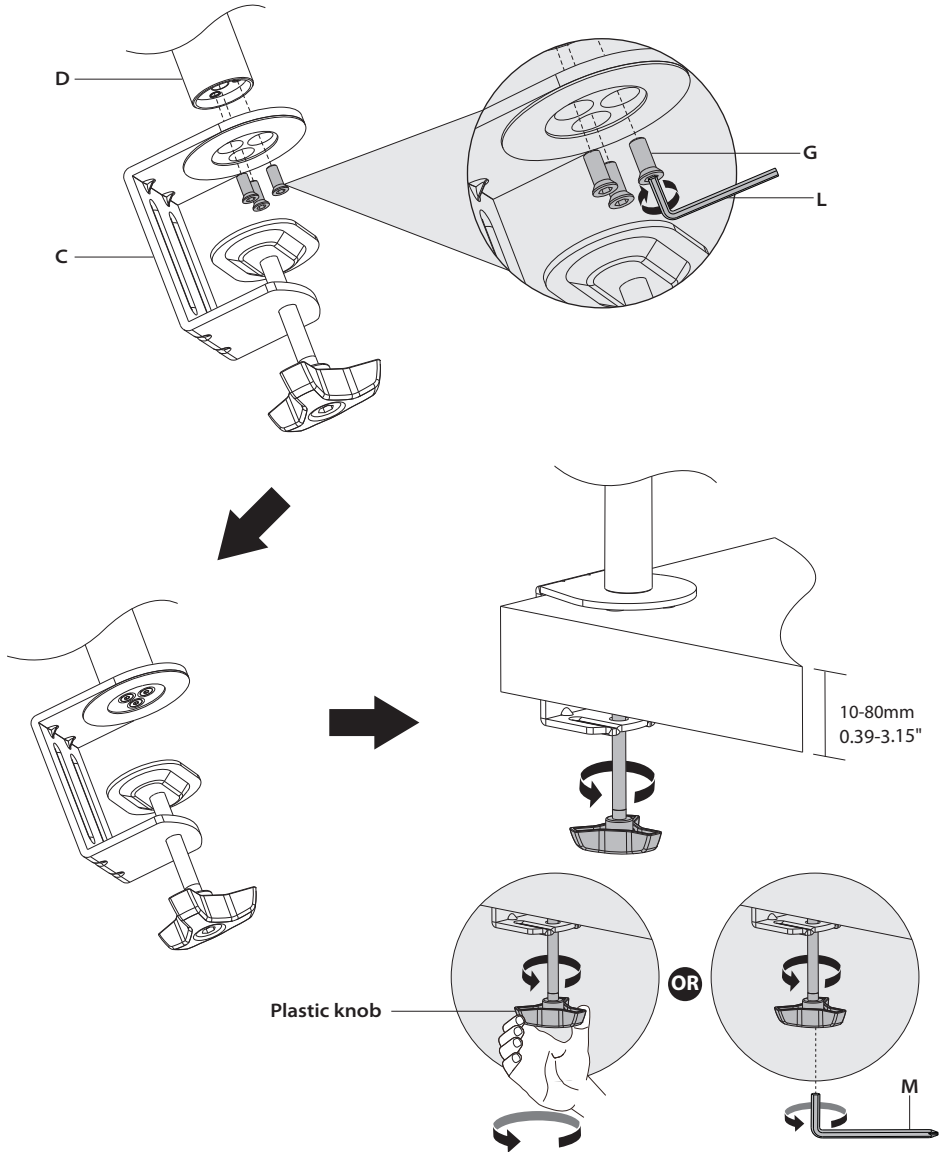
**DO NOT EXCEED WEIGHT CAPACITY.**

# ASSEMBLY STEPS

## STEP 1: Clamp Installation OR Grommet Base Installation

### OPTION A: Clamp Installation

Install the Clamp (C) to the Pole (D) using 3pcs Bolt(G). Tighten using 4mm Allen key (L).  
Secure stand to the desktop by tightening the plastic knob or by using 6mm Allen key (M).

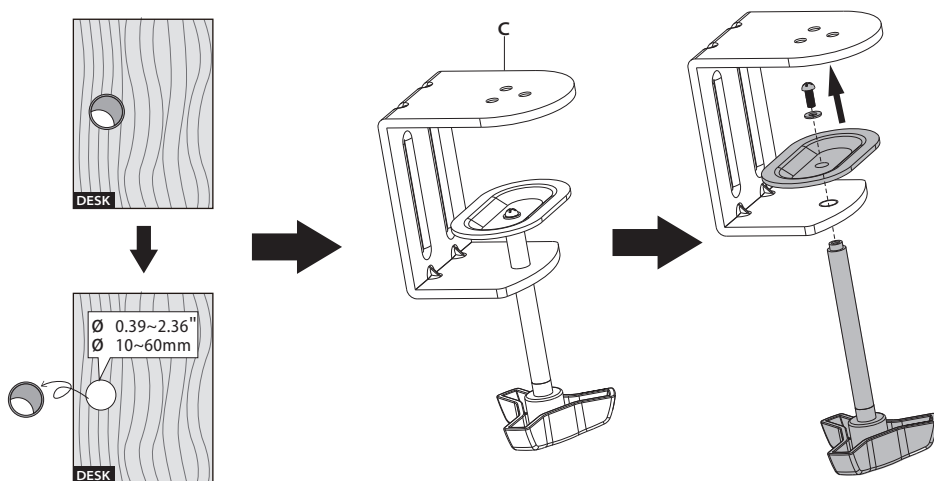


## STEP 1: (Continued)

### OPTION B: Grommet Base Installation

If existing grommet hole comes with a plastic protector, remove it to ensure a flat surface before installing the desk mount.

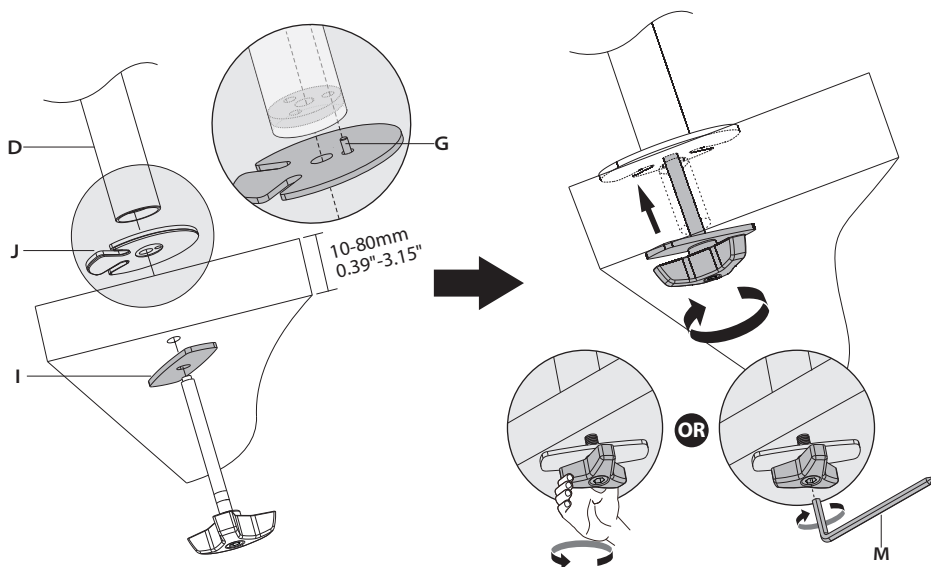
Loosen the screw, separate the clamp (C) into two parts.



Install the Base Plate (J) to the Pole (D) using 1pc of Bolt (G).

Install the pole (D) on the desktop using the support plate (I) and the bolt separated from clamp (C).

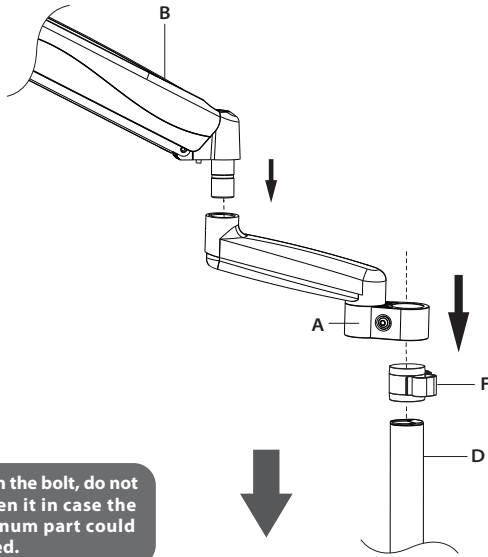
Secure stand to desktop by tightening the plastic knob or by using 6mm Allen key (M).



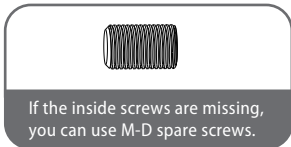
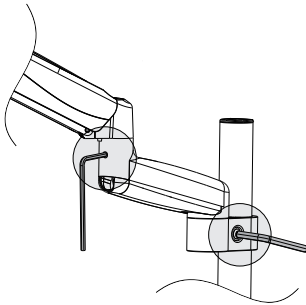
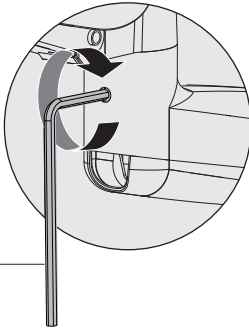
## STEP 2 : Arm Installation

Install the wire clip(F) and swivel arm(A and B) to the pole(D).

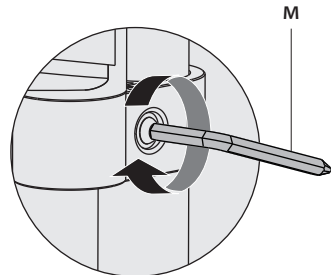
Fasten the bolt with supplied 6mm Allen key (M) and 3mm Allen key (K)



Just tighten the bolt, do not over tighten it in case the cast aluminum part could be damaged.



If the inside screws are missing, you can use M-D spare screws.

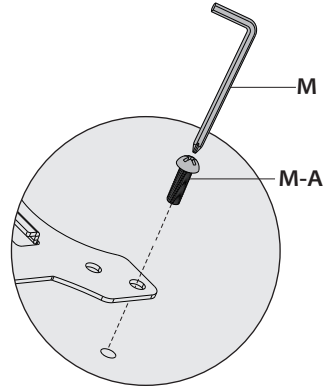
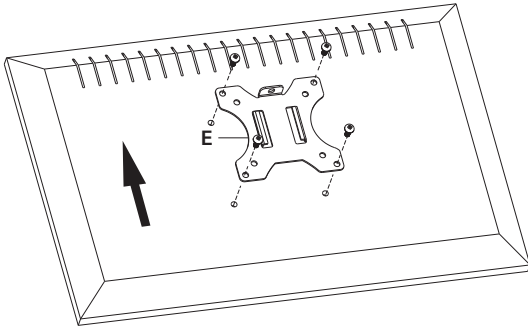
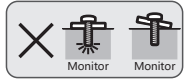
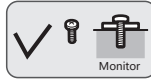


# STEP 3 : Attach Monitor

## OPTION A: Flat Back Monitor

Attach the VESA plate (E) to the back of monitor and secure it by using a 6 mm Allen Key (M) to tighten screws (M-A).

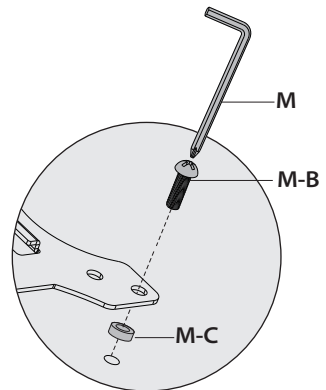
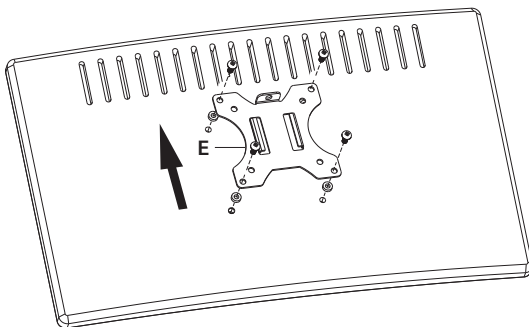
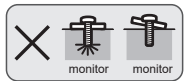
**⚠** Be sure NOT TO tighten the screws too tightly, or may cause damage to your monitor.



## OPTION B: Curved Back Monitor

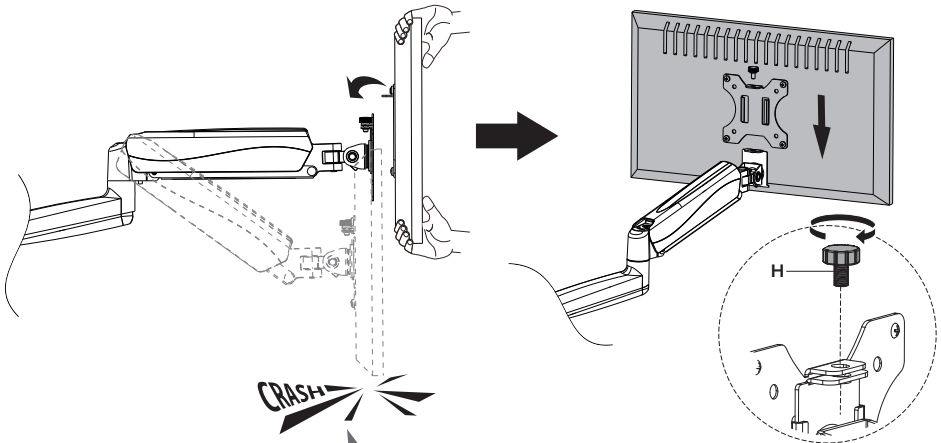
Attach the VESA plate (E) to the back of monitor and secure it by using a 6 mm Allen Key (M) to tighten screws (M-B) along with spacers (M-C).

**⚠** Be sure NOT TO tighten the screws too tightly, or may cause damage to your monitor.



## STEP 4: Hang Monitor

Slide the monitor onto the head of swivel arm, install the security bolt (H). Make sure the security bolt is installed before you rotate the monitor.

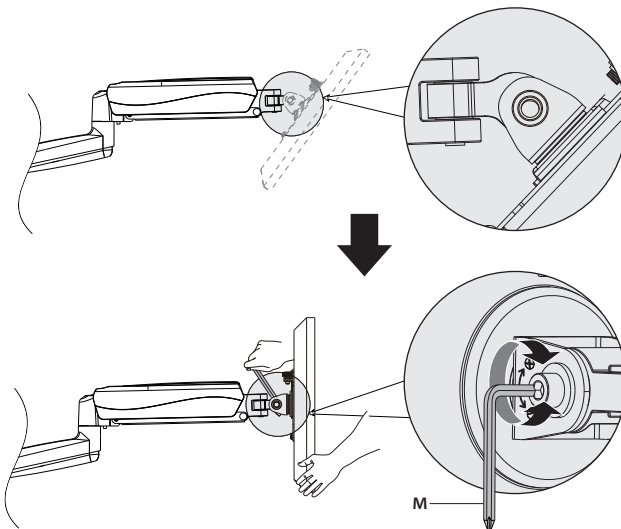


### Important Notice:

The gas spring is pre-set to minimum tension. Once the monitor is hung on, hold the monitor with both hands and DO NOT let go suddenly or immediately. Instead, leave the monitor in a slow & gentle way while observing whether the arms will fall down wildly.



### Guideline to adjust monitor tilting angle.



### Problem:

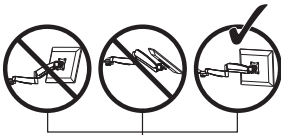
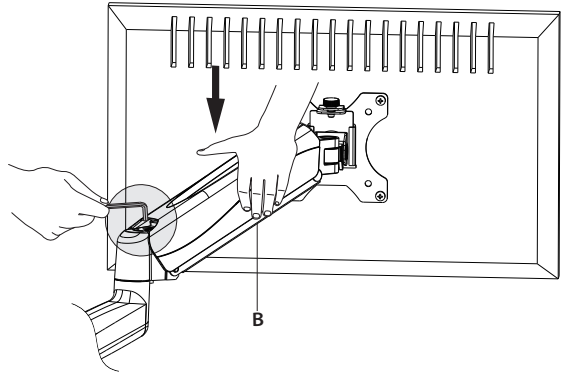
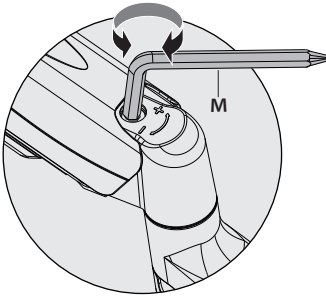
If monitor face down

### Solution:

1. Loosen the tilting bolt.
2. Hold the bottom of monitor with one hand and adjust to determine your desired tilt angle.
3. Retighten the tilting bolt to fix the intended angle.

## STEP 5: Adjust Tension

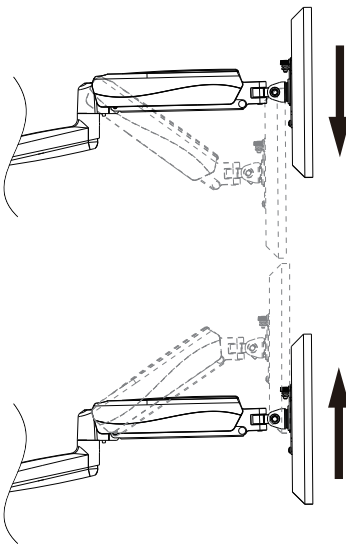
For intended functioning of the mount, you may need to adjust the tension of Upper Arm (B) in accordance with your monitor weight by 6 mm Allen Key (M).



**CAUTION**

### Note:

Be sure to keep the arm in horizontal position during adjustment. Or else it would be difficult to adjust the mount or damage the mount.



#### Situation 1: Arm falls down

Upper Arm with monitor falls down and fails to stay where intended.

#### Solution:

Turn the inside screw counterclockwise(“+”direction) to increase gas spring tension until the arm can stay as intended.

#### Situation 2: Arm rises up

Upper Arm with monitor rises up and fails to stay where intended.

#### Solution:

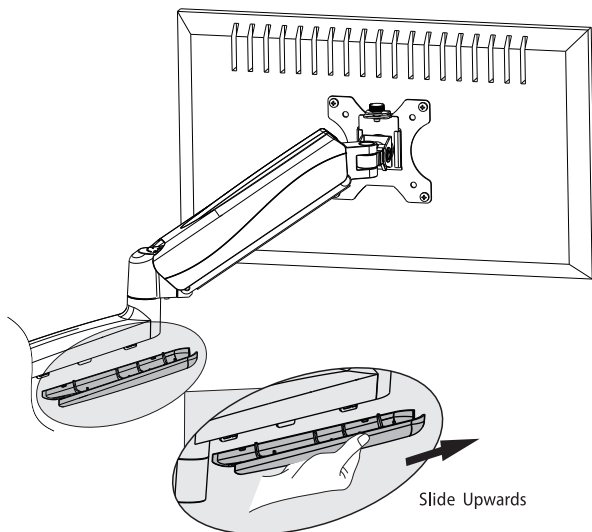
Turn the inside screw clockwise(“-”direction) to decrease gas spring tension until the arm can stay as intended.



## STEP 6: Cable Management

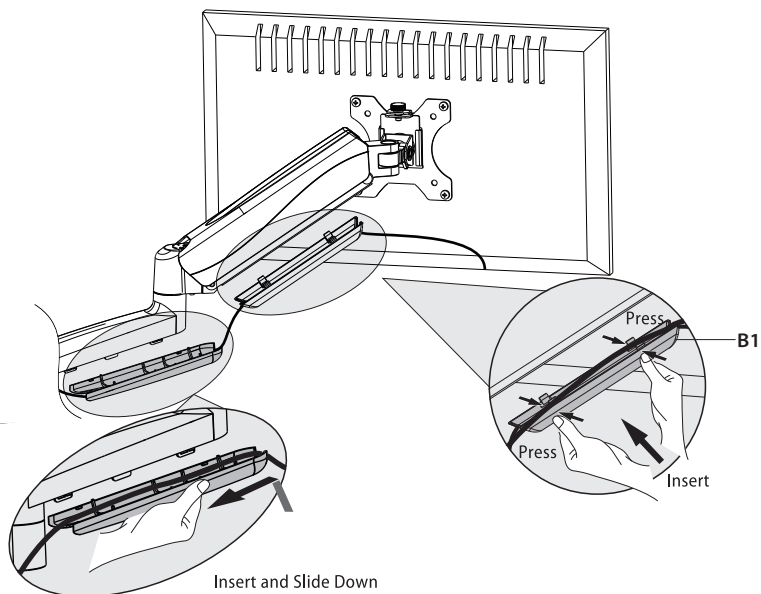
### 6-1 Remove Cable Cover

- For lower arm: Remove bottom plastic cover from lower arm as shown in the diagram.



### 6-2 Attach Cable Cover

- For lower arm: Run cables through the cable cover, then slide the cover down to reattach the cable cover;
- For upper arm: Run cables through the cable cover (B-B), then slightly press the tabs on the inside of the cable cover inward and insert the cable cover to upper arm.

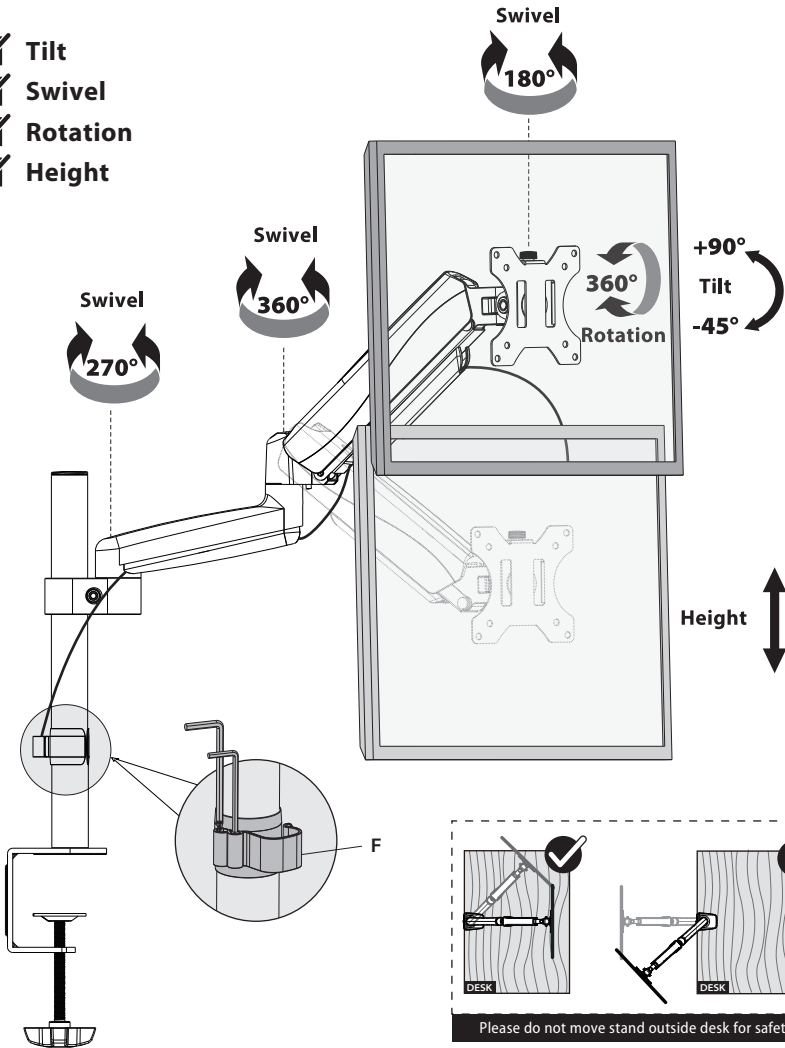


# Adjust as Desired

Adjust monitor position and rotation.

Allen Key can be stored in Wire clip (F) for next time using.

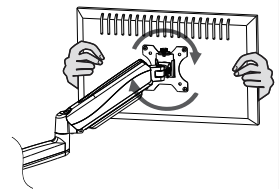
- ✓ Tilt
- ✓ Swivel
- ✓ Rotation
- ✓ Height



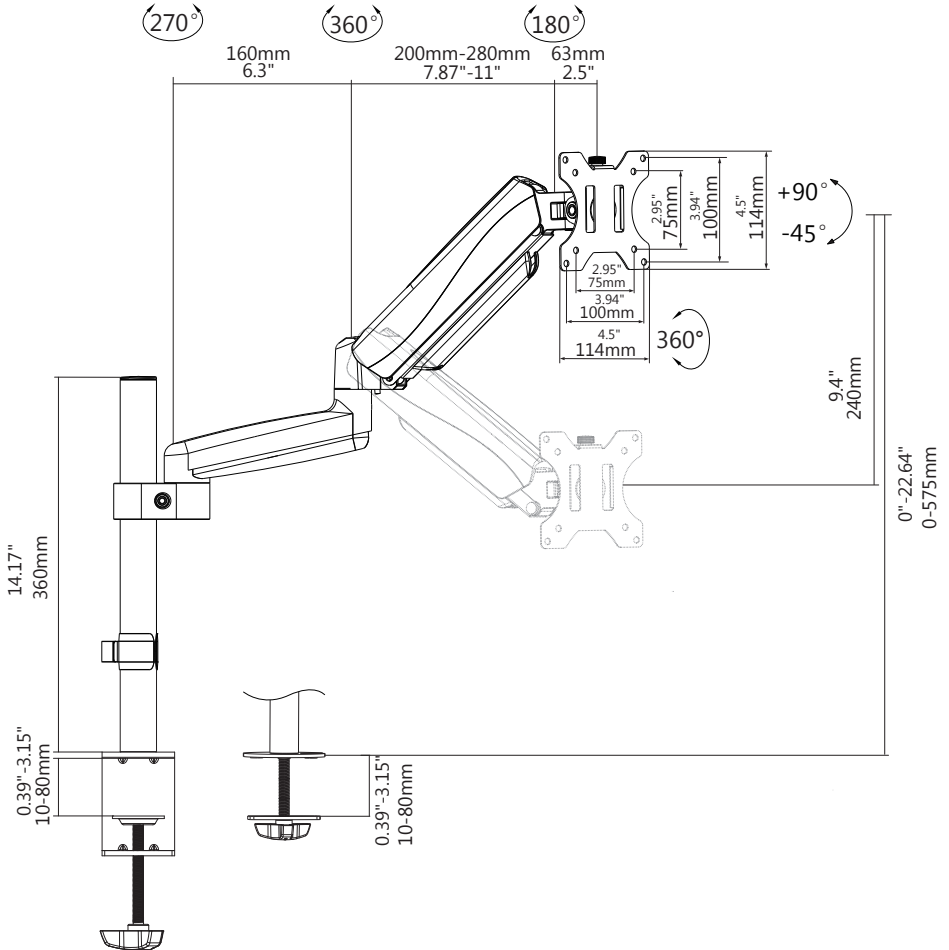
**Note:** To ensure stability, the tightness of the rotating axis has been preset, so it would be kind of difficult to rotate the VESA plate.

**Suggestion:** Please attach the monitor first, then hold the two sides of it with both hands, and rotate vigorously.

If that doesn't work out, please do not hesitate to ask for our help.



# Product Dimensions





## **CAUTION AND MAINTENANCE:**

- Never allow children to climb, stand, hang, or play on any part of monitor or stand.
- This product is intended for indoor use only. Using this product outdoors could lead to product failure and personal injury.
- Check that the bracket is secure and safe to use at regular intervals (at least every three months).