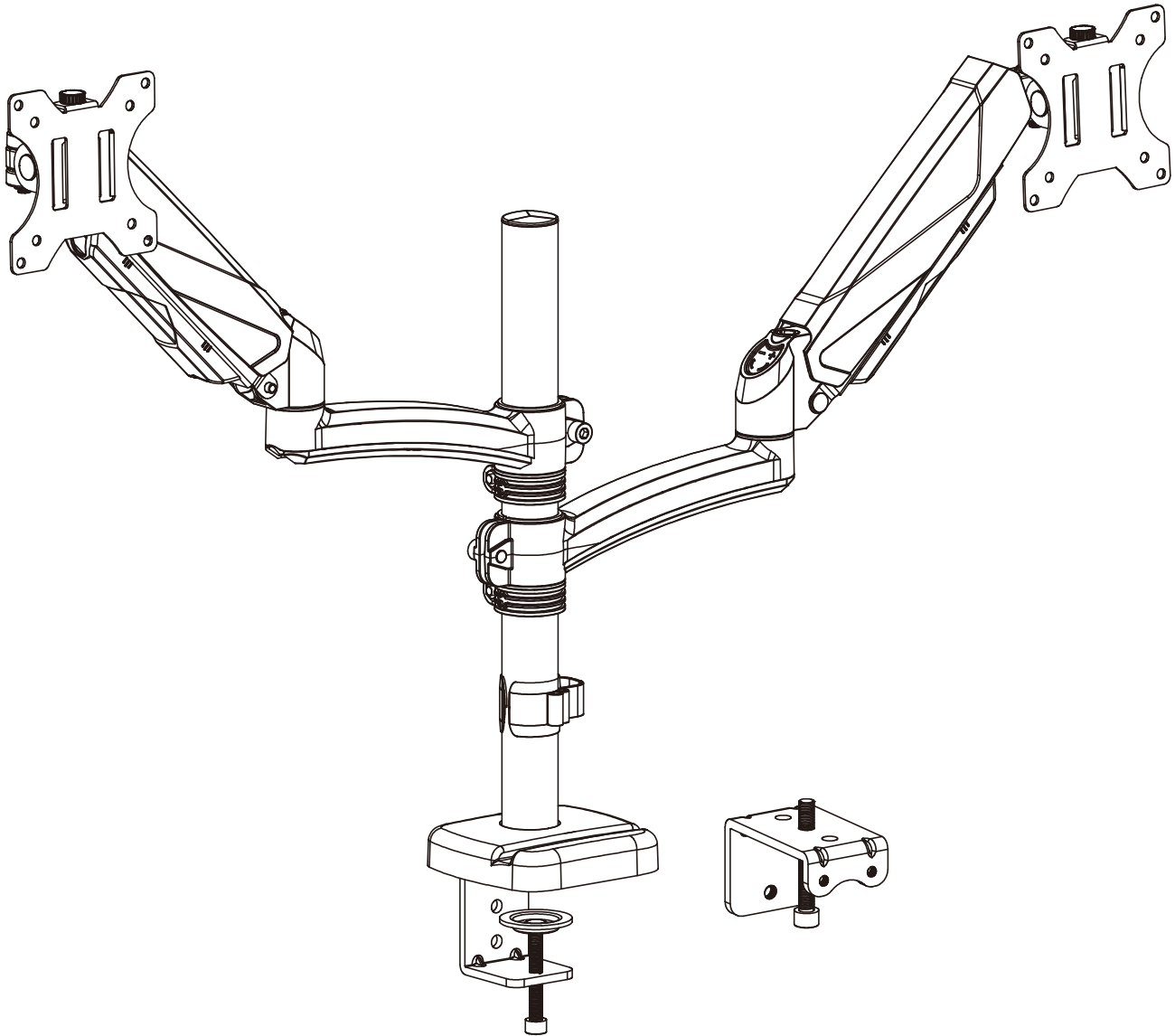

Dual Monitor Desk Mount

Instruction Manual



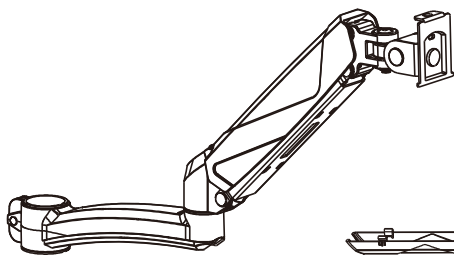
! WARNING!

If you have any confusions or are not quite sure about the installation, please do not hesitate to ask for our help.

Before assembly, please check and make sure all necessary accessories are included and undamaged. Improper installation, such as use the product for monitors over its load capacity or for any purpose not explicitly specified, may cause damage or serious injury. We would not be liable for any damage or injury caused by improper mounting or inappropriate use.

The kit contains small items that could be choking hazards if swallowed. Please keep them OUT OF REACH OF CHILDREN UNDER 3 YEARS OLD. ADULT SUPERVISION IS REQUIRED.

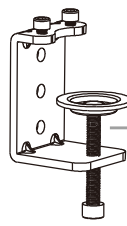
PACKAGE CONTENTS



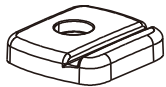
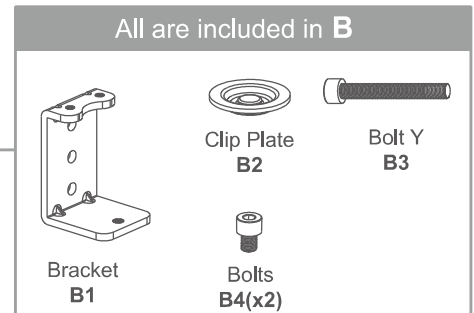
A (x2)
Arm



A1 (x2)
Harness Cover



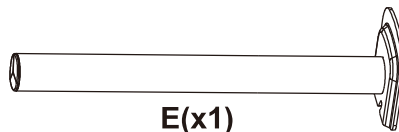
B (x1)
Clamp



C (x1)
Decorative Cover



D (x2)
VESA Plate



E(x1)
Base



E1(x3)
Pad



F (x2)
Bolt



G (x1)
Wire Clip



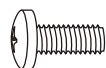
H(x2)
Fixator



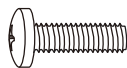
I(x1)
5mm Allen Key



J(x1)
6mm Allen Key



M-A (x8)
M4x12mm



M-B (x8)
M4x30mm



M-C (x8)
D5 Washer



M-D (x16)
Spacer H5mm

NOTE: Not all hardware included will be used.

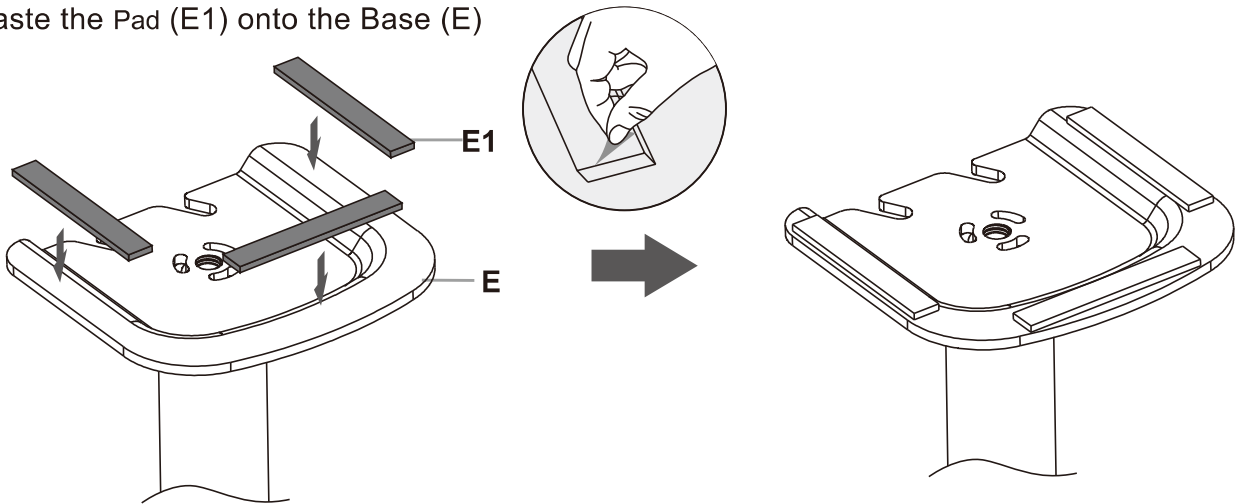


DO NOT EXCEED WEIGHT CAPACITY.

ASSEMBLY STEPS

STEP 1: Apply Pads To The Base Bottom

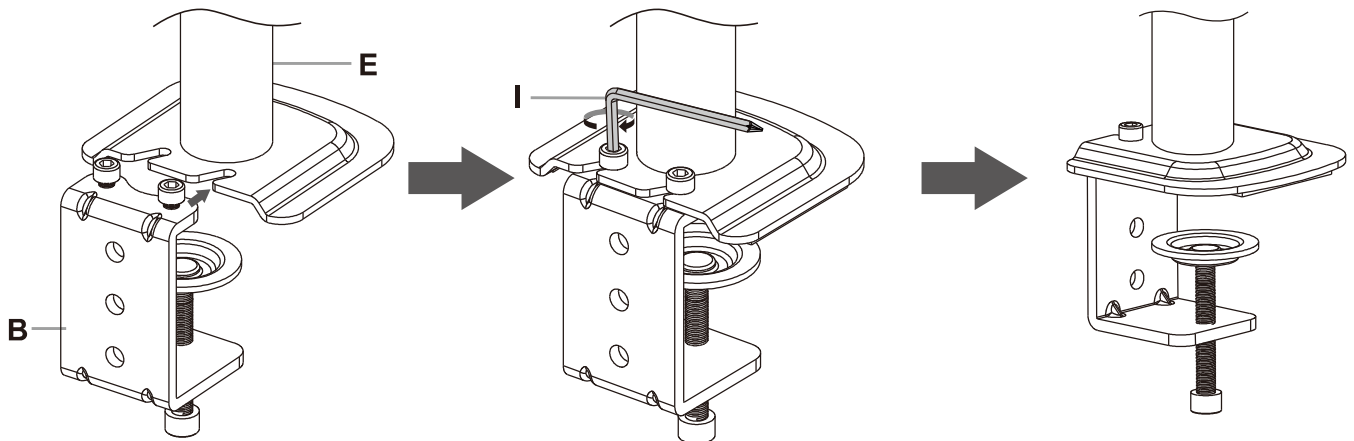
Paste the Pad (E1) onto the Base (E)



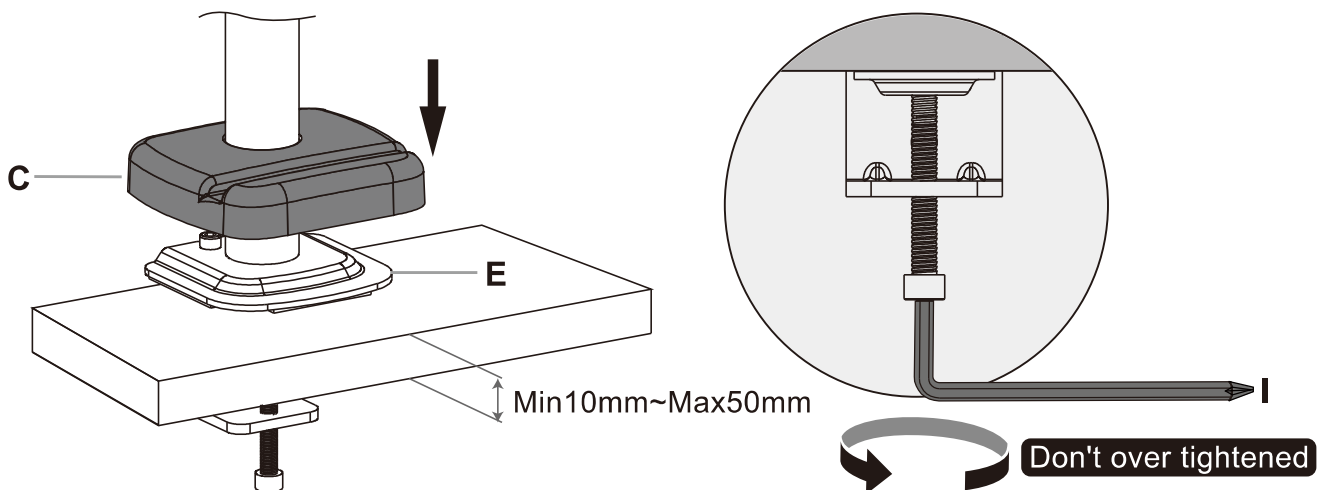
STEP 2: Clamp Installation Or Grommet Base Installation

OPTION A: Clamp Installation

Loosen Bolts (B4) by using 5mm Allen Key (I), Then align the screw hole on the Base (E), and then lock the Screw (B4) with a 5mm Allen Key (I).



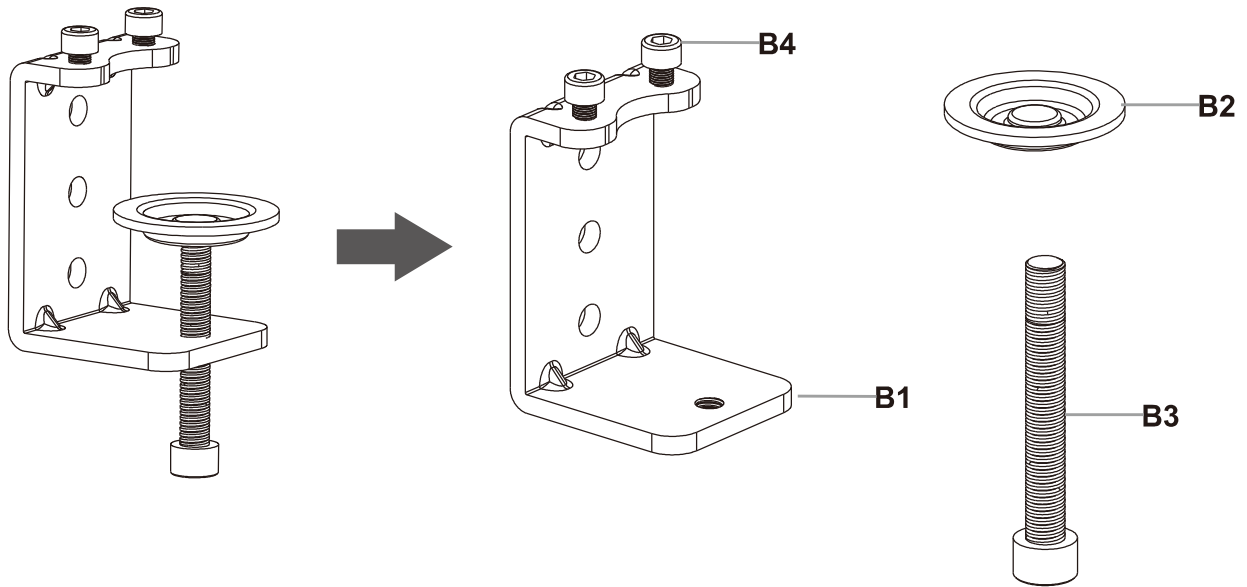
Fix the Decorative Cover (C) to the Base (E) and fix the bracket on the table by tightening the Clamp (B). Use a 5mm Allen Wrench (I).



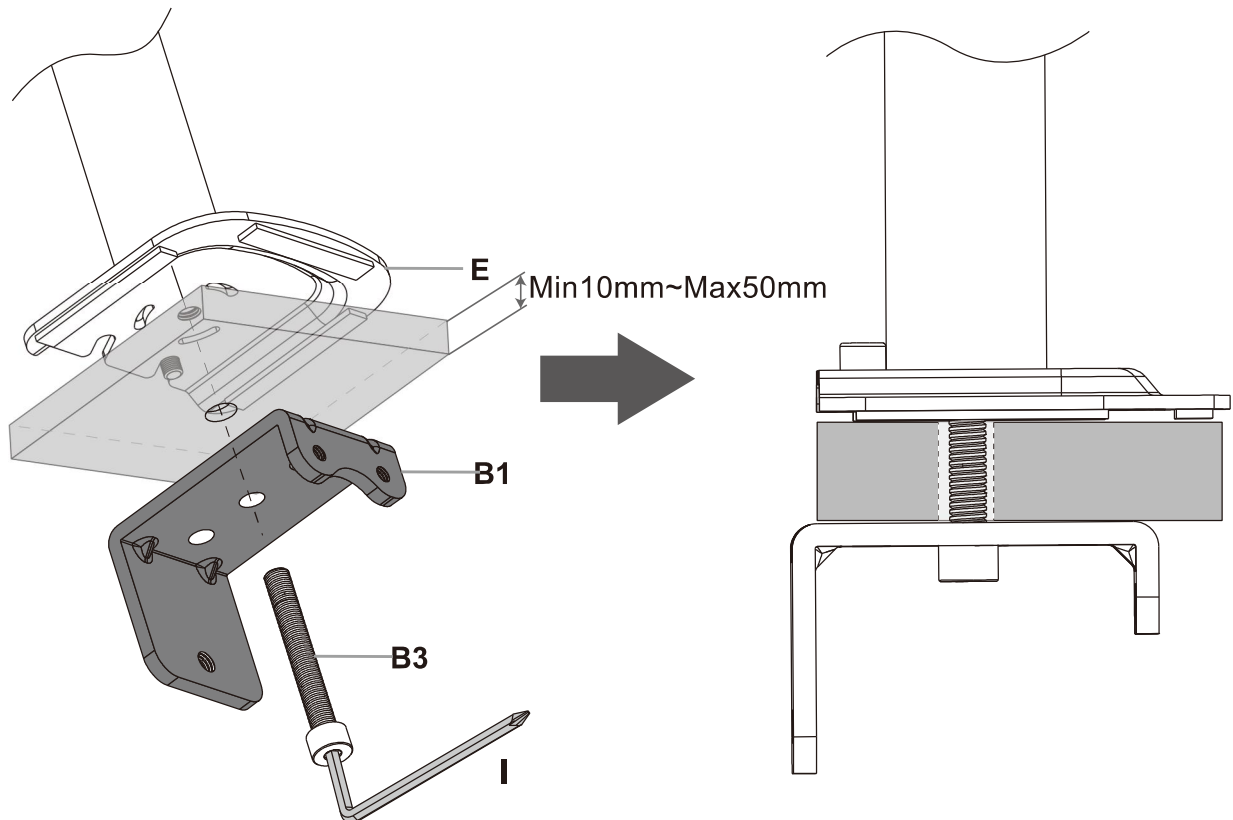
STEP 2: (Continued)

OPTION B: Grommet Base Installation

Use 5mm Allen Key(I) to detach Clip Plate(B2)and Bolt Y(B3) from Clamp(B).

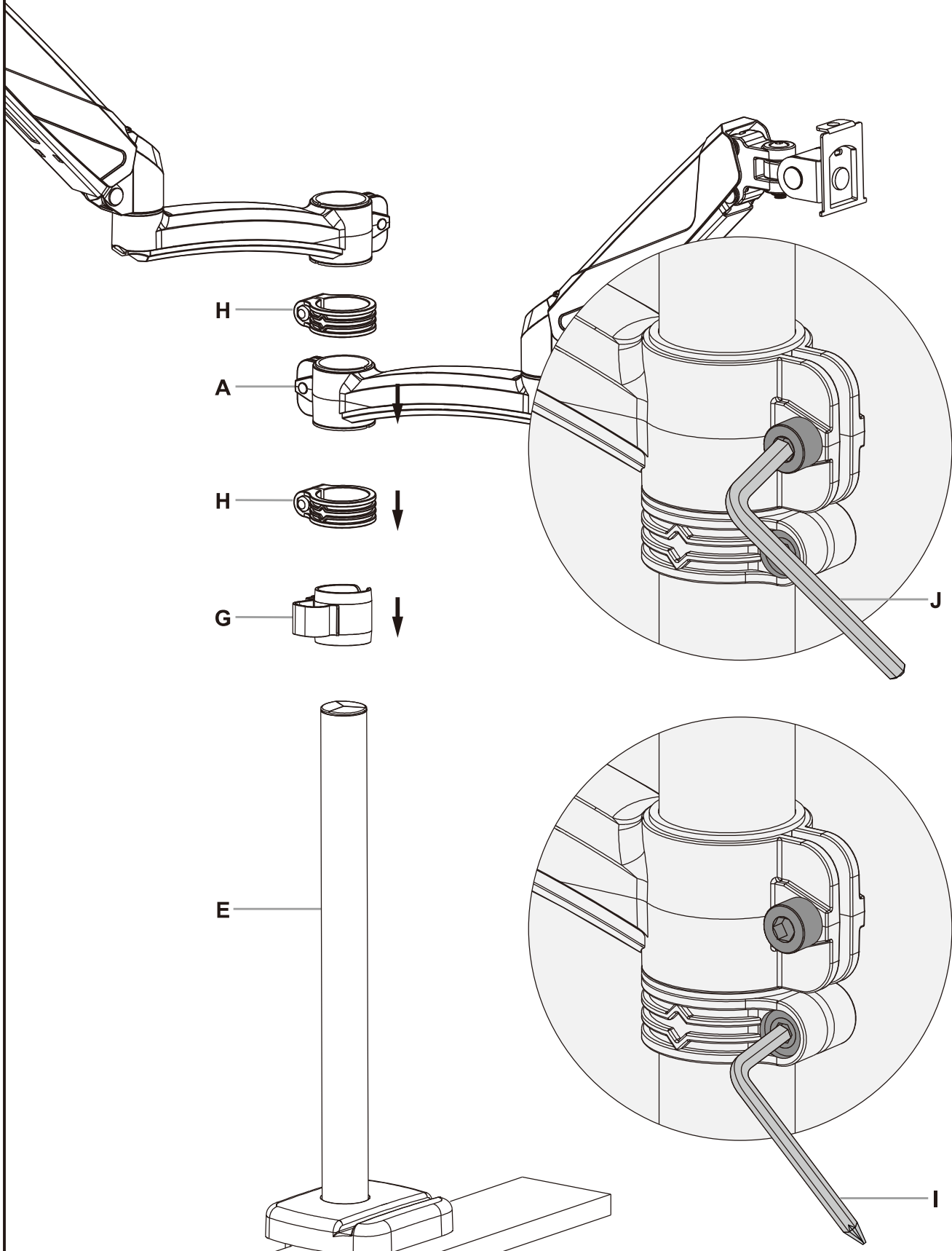


Use Bolt Y (B3) through the screw hole on Bracket (B1) to fix the Base (E) and the table board together.



STEP 3 : Arm Installation

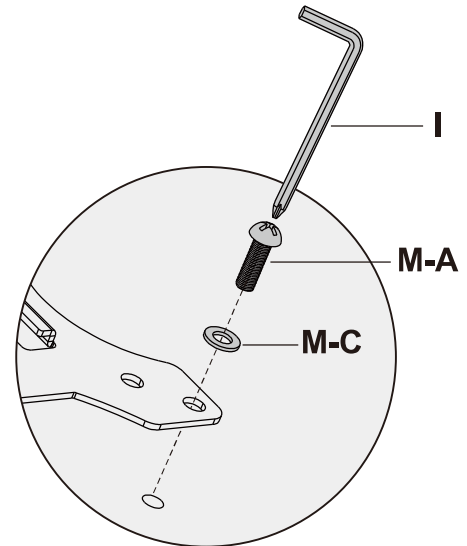
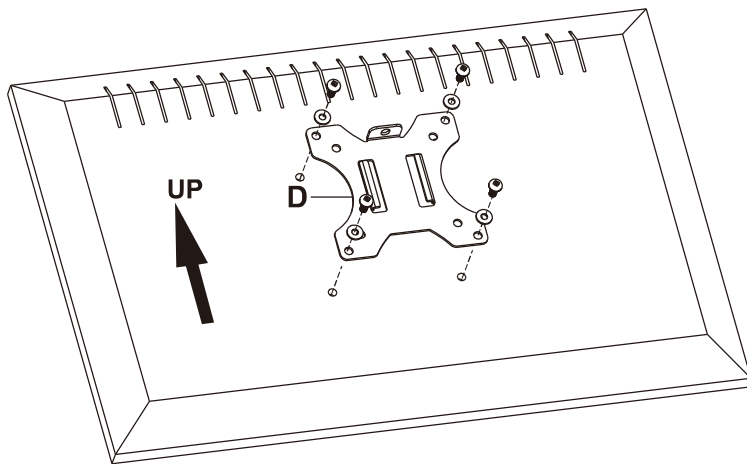
Install Arm (A), Fixator(H) ,Wire Clip (G) on the base in sequence as shown below.
Make sure to tighten the Fixator(H) to desired place with 5mm Allen Key.
Adjust the tightness of the bolt of Arm(A) to make the rotation flexible.



STEP 4 : Attach Monitor

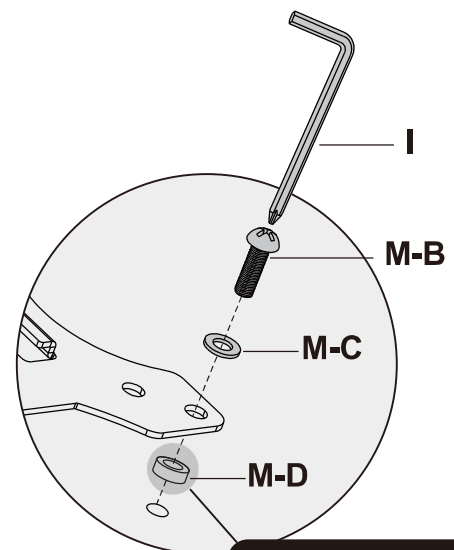
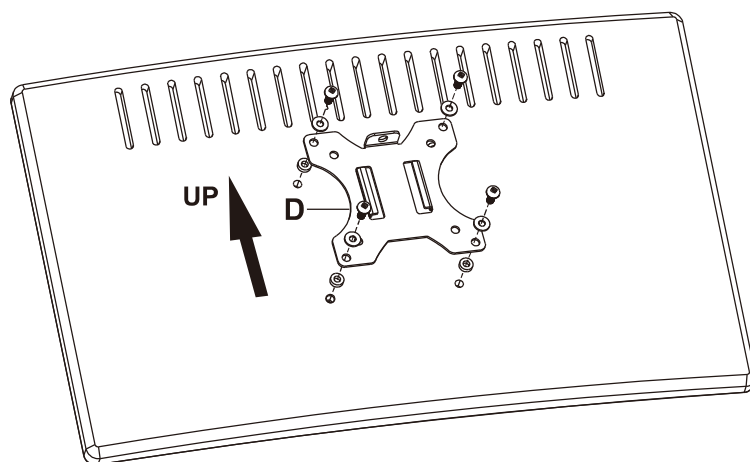
OPTION A: Flat Back Monitor

Attach the VESA Plate (D) to back of monitor and secure with Screws(M-A) with Washers(M-C) using 5 mm Allen Key (I). Avoid excessive tightening screws damage the monitor.



OPTION B: Curved Back Monitor

Attach the VESA Plate (D) to back of monitor and secure with screws (M-B) with Washers (M-C) and Spacer(M-D) using 5 mm Allen Key (I). Avoid excessive tightening screws damage the monitor.

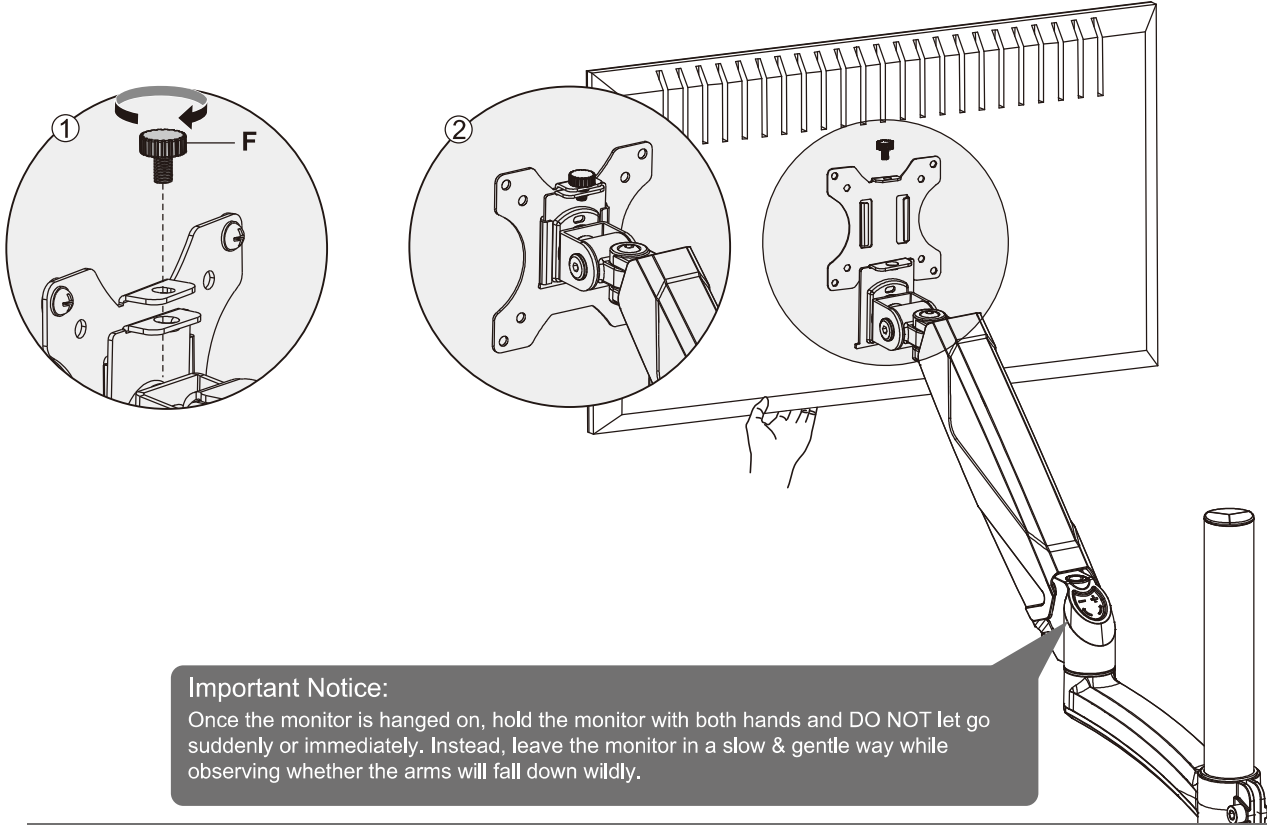


one or two piece

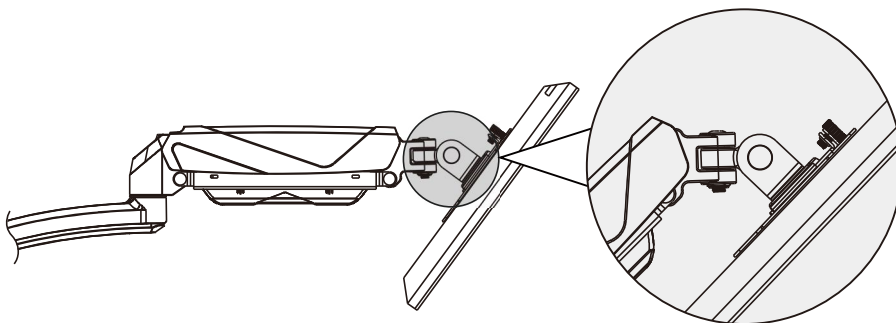
NOTE: Hand tighten screws to avoid over tightening.

STEP 5 : Hang Monitor

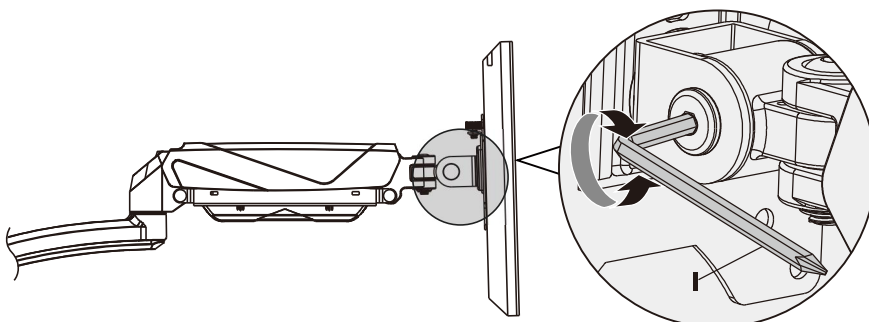
Slide the monitor onto the head of swivel arm. Install the Security Bolt (F). Make sure the security bolt is tightened before you rotate the monitor.



Refer to below illustrations to adjust tilting angle of your monitor.



Problem:
If monitor face down

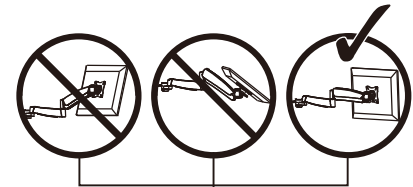
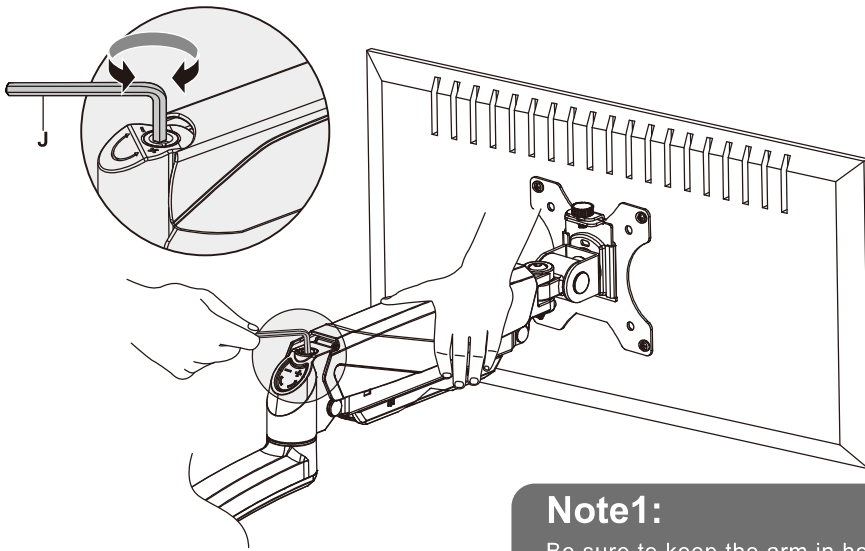


Solution:

1. Loosen the tilting bolt.
2. Hold the bottom of monitor with one hand and adjust to determine your desired tilt angle.
3. Retighten the tilting bolt to fix the intended angle.

STEP 6 : Adjust Tension

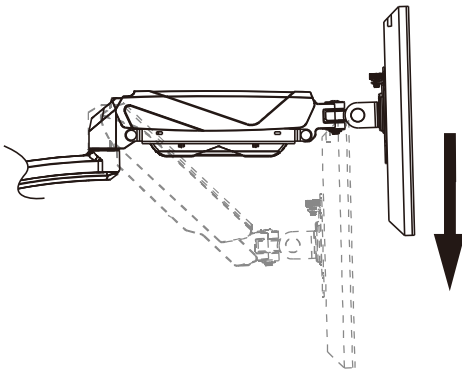
For intended functioning of the mount, you may need to adjust the tension of Arm (A) in accordance with your monitor weight by 6 mm Allen Key (J).



CAUTION

Note1:

Be sure to keep the arm in horizontal position during adjustment. Or else it would be difficult to adjust the mount or damage the mount.

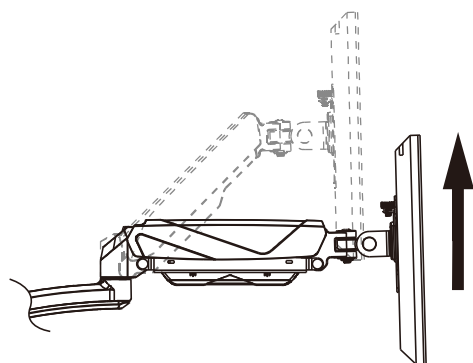


Situation 1: Arm falls down

Upper Arm with monitor falls down and fails to stay where intended.

Solution:

Turn the inside screw counterclockwise(“+”direction) to increase gas spring tension until the arm can stay as intended.



Situation 2: Arm rises up

Upper Arm with monitor rises up and fails to stay where intended.

Solution:

Turn the inside screw clockwise(“-”direction) to decrease gas spring tension until the arm can stay as intended.

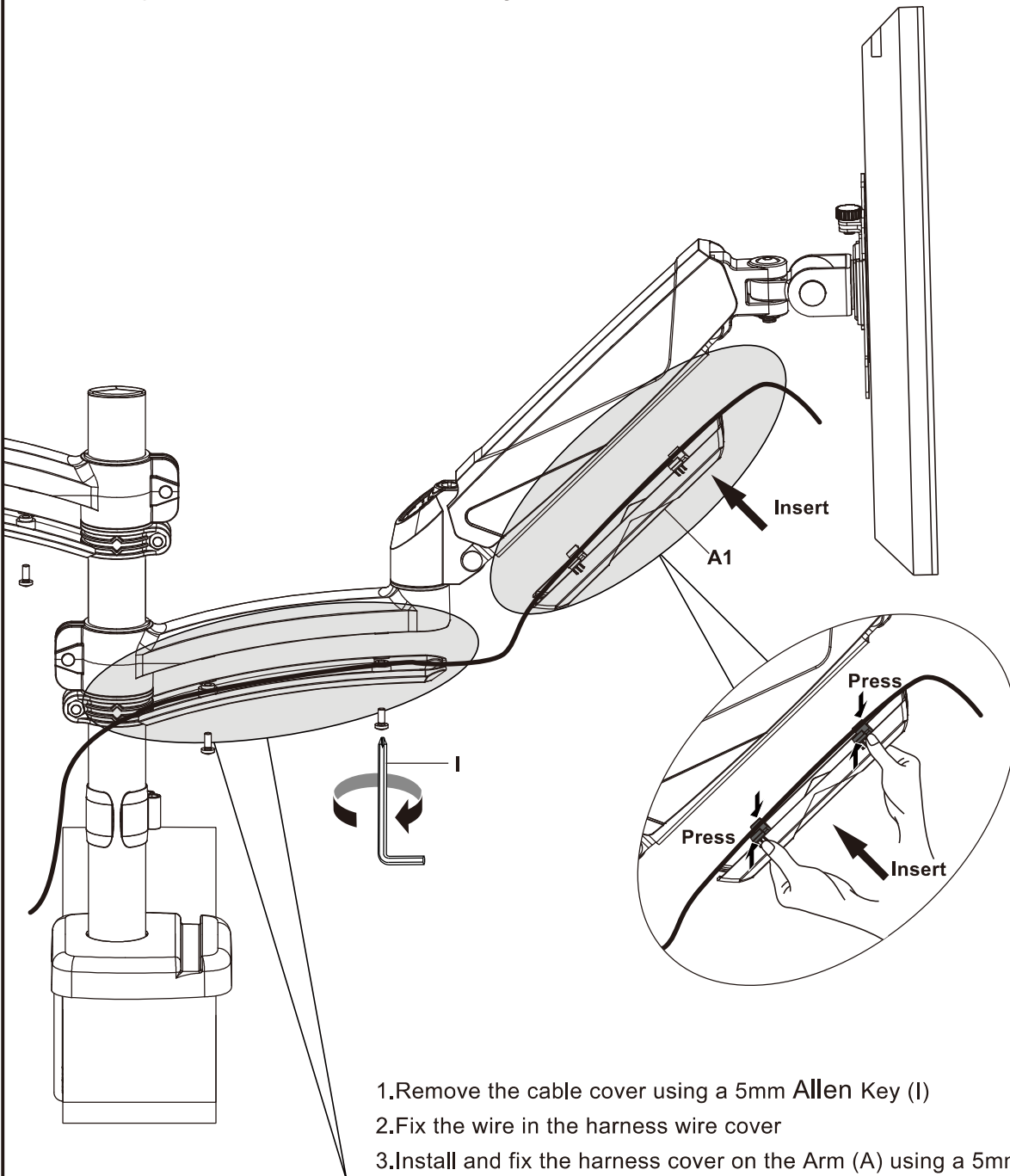
Note2:

For how many circles the screw should be turned, please refer to the table below.

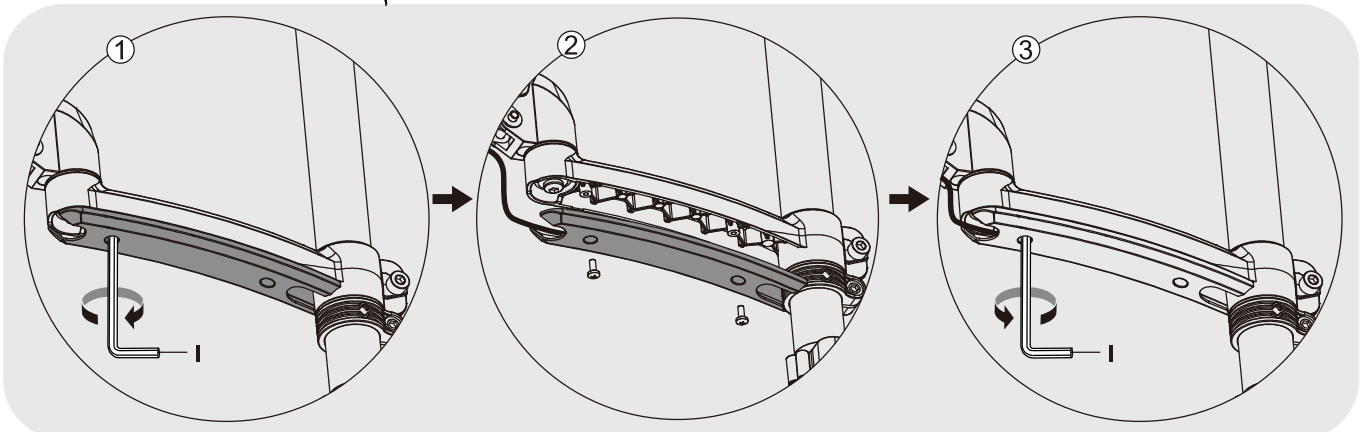
Monitor Weight	2kg	3kg	4kg	5kg	6kg	7kg	8kg	9kg
Circles(AT LEAST)	min	2	4	6	8	10	12	15

STEP 7 : Cable Management

Remove bottom plastic covers from gas spring Arm (A) .Run cables from monitor through bottom of gas spring Arm (A). Then cover the Wire Cap (A1) onto the upper arm of the Arm (A). Reattach plastic covers as shown in diagram.



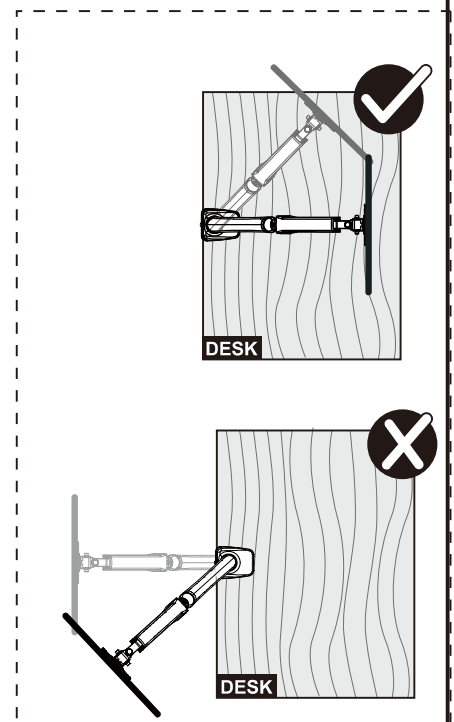
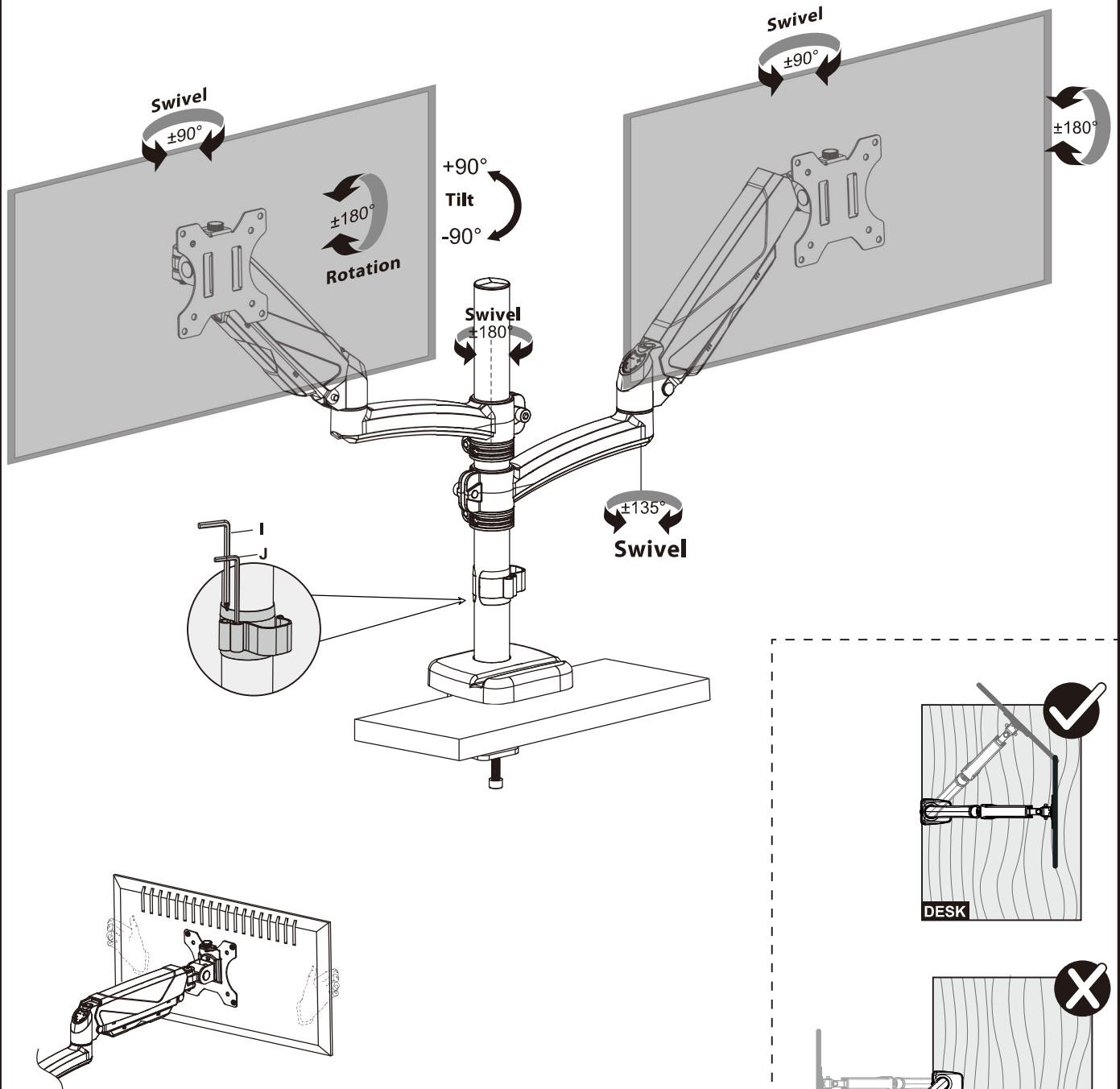
- 1.Remove the cable cover using a 5mm Allen Key (I)
- 2.Fix the wire in the harness wire cover
- 3.Install and fix the harness cover on the Arm (A) using a 5mm Allen Key (I)



Adjust as Desired

Adjust monitor position and rotation.

- ☑ Tilt
- ☑ Swivel
- ☑ Rotation



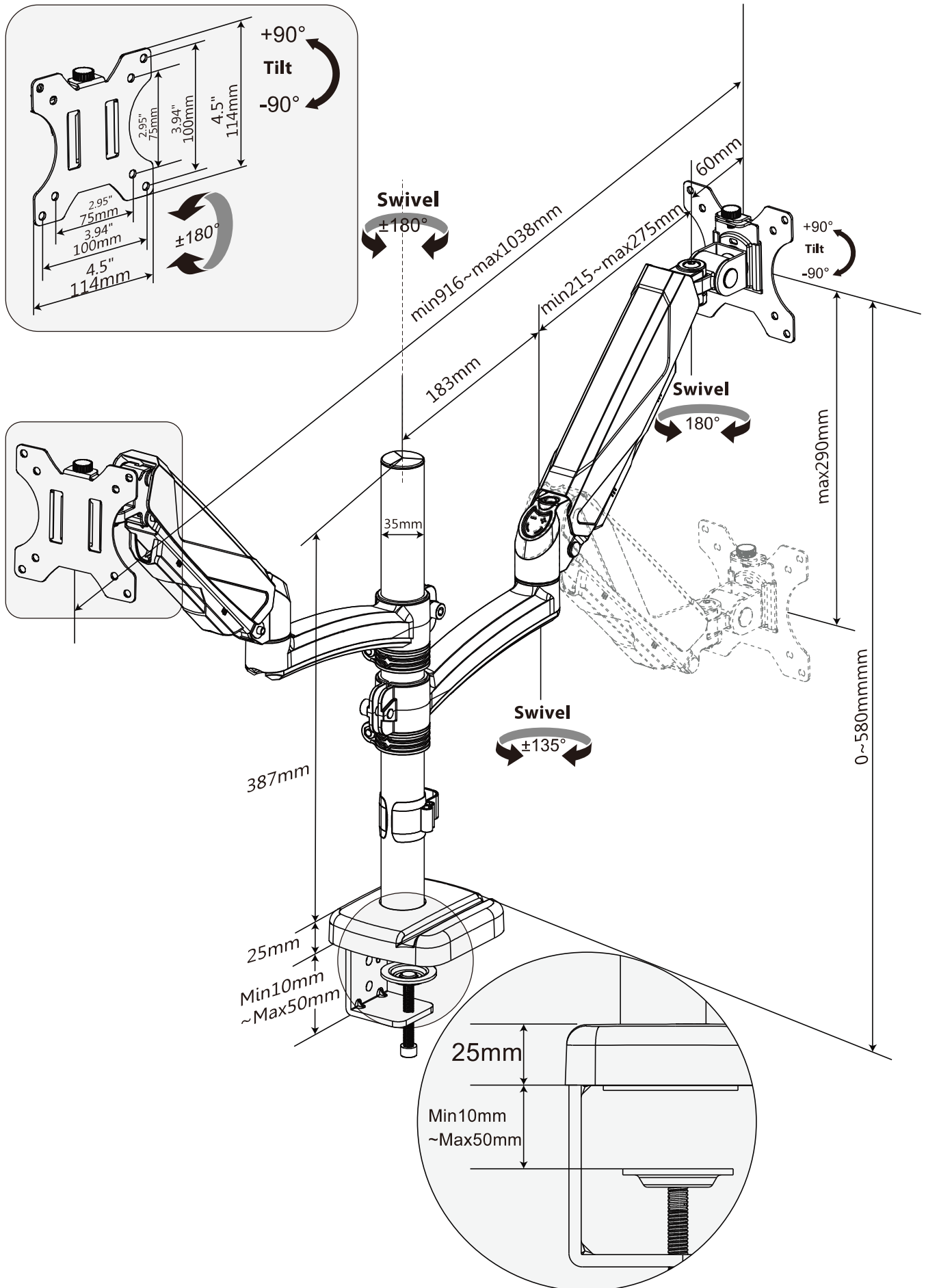
Note: To ensure stability, the tightness of the rotating axis has been preset, so it would be kind of difficult to rotate the VESA plate.

Suggestion: Please attach the monitor first, then hold the two sides of it with both hands, and rotate vigorously.

If that doesn't work out, please do not hesitate to ask for our help.

Please do not move stand outside desk for safety!

Product Dimensions





CAUTION AND MAINTENANCE:

- Never allow children to climb, stand, hang, or play on any part of monitor or stand.
- This product is intended for indoor use only. Using this product outdoors could lead to product failure and personal injury.
- Check that the bracket is secure and safe to use at regular intervals (at least every three months).