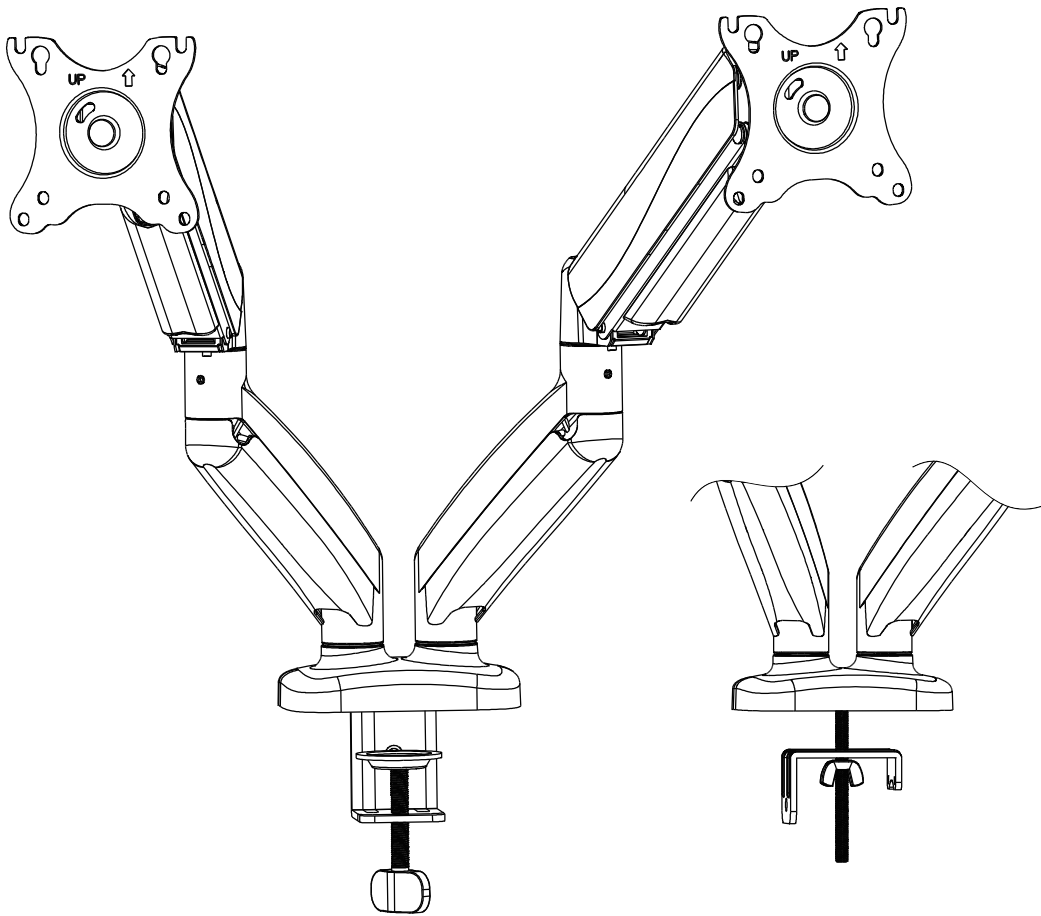

Dual Monitor Desk Mount

Instruction Manual



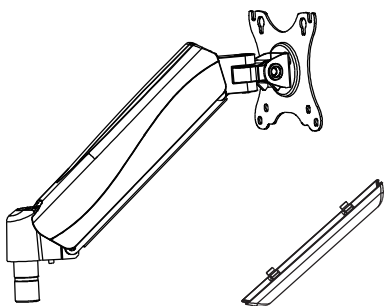
! WARNING!

If you have any confusions or are not quite sure about the installation, please do not hesitate to ask for our help.

Before assembly, please check and make sure all necessary accessories are included and undamaged. Improper installation, such as use the product for monitors over its load capacity or for any purpose not explicitly specified, may cause damage or serious injury. We would not be liable for any damage or injury caused by improper mounting or inappropriate use.

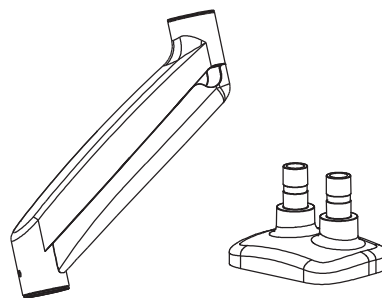
The kit contains small items that could be choking hazards if swallowed. Please keep them OUT OF REACH OF CHILDREN UNDER 3 YEARS OLD. ADULT SUPERVISION IS REQUIRED.

PACKAGE CONTENTS



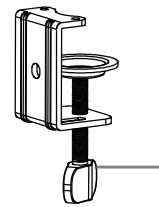
A (x2)
Upper Arm

A1 (x2)
Cable Cover

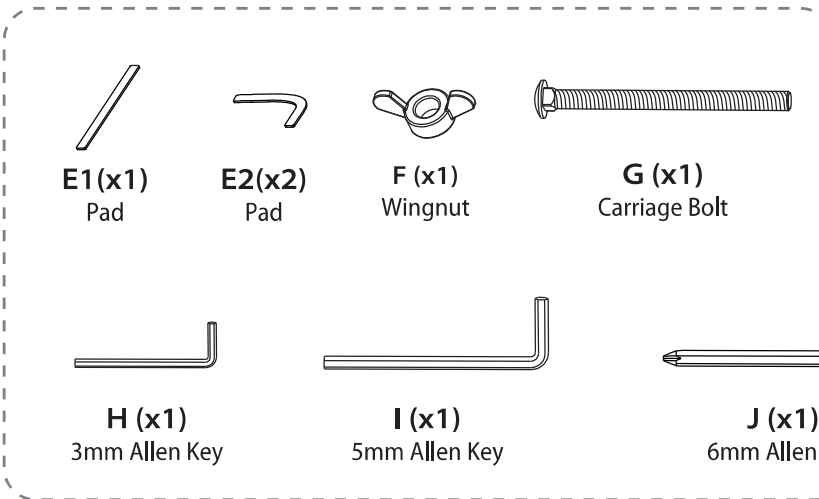


B (x2)
Lower Arm

C (x1)
Base



D (x1)
Clamp



E1 (x1)
Pad

E2 (x2)
Pad

F (x1)
Wingnut

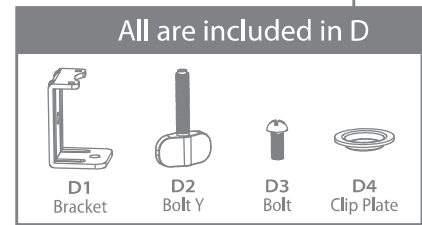
G (x1)
Carriage Bolt

H (x1)
3mm Allen Key

I (x1)
5mm Allen Key

J (x1)
6mm Allen Key

K (x2)
Bolt M6x8mm

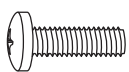


D1
Bracket

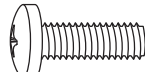
D2
Bolt Y

D3
Bolt

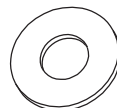
D4
Clip Plate



M-A (x8)
M4x12mm



M-B (x8)
M6x12mm



M-C (x8)
Washer D6mm



M-D (x8)
Spacer H5mm

NOTE: Not all hardware included will be used.



DO NOT EXCEED WEIGHT CAPACITY.

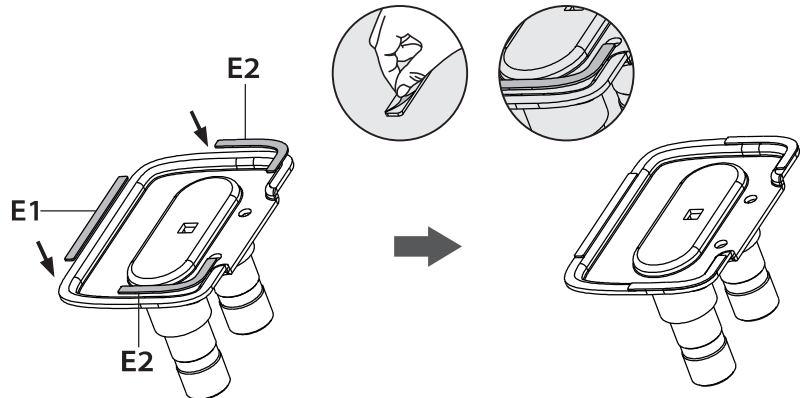
ASSEMBLY STEPS

Warm Tips

You could also refer to the Video Guide about installation on our product page.

STEP 1: Apply Pads to the Base Bottom

Apply pads (E1&E2) to the base bottom to avoid desk scratches.

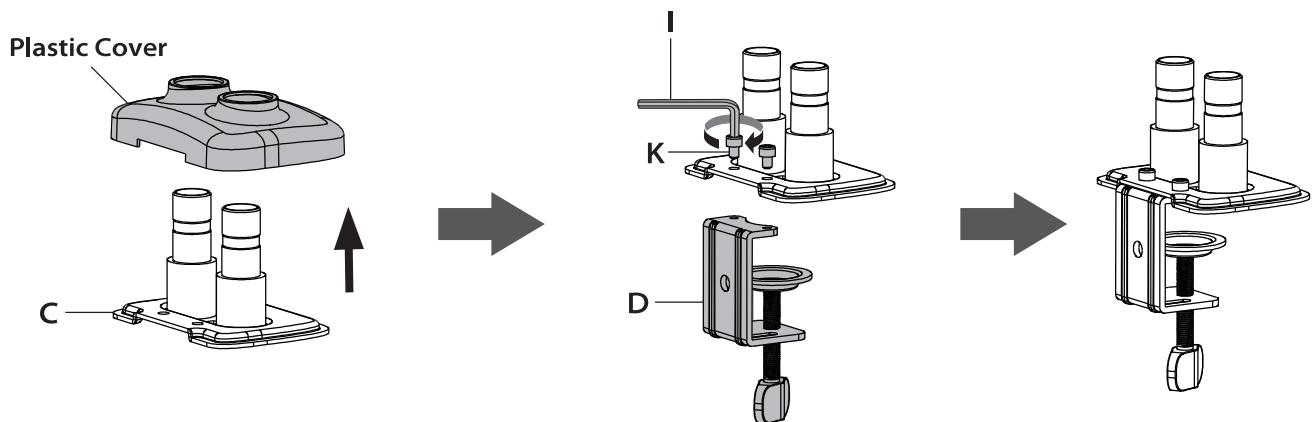


STEP 2: Clamp Installation or Grommet Base Installation

OPTION A: Clamp Installation

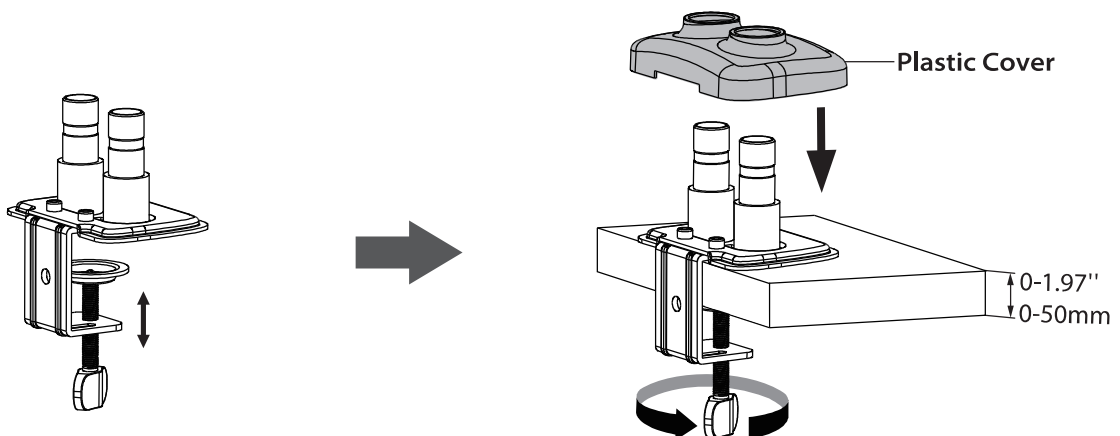
Remove the plastic cover from Base (C).

Mount Clamp (D) to the bottom of Base (C) by tightening bolts (K) with 5mm Allen Key (I).



Adjust the Clamp width to fit your desk.

Secure stand to the desktop by tightening clamp (D). Fix the plastic cover to Base (C).

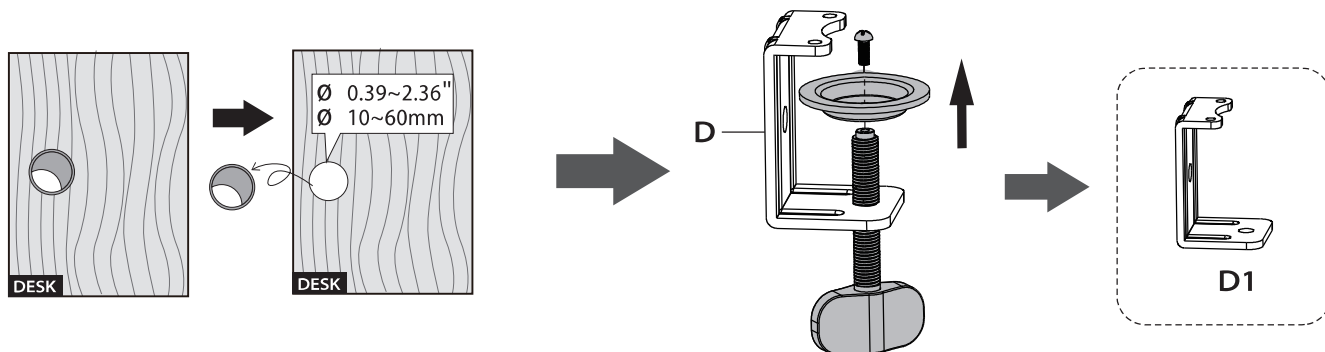


STEP 2: (Continued)

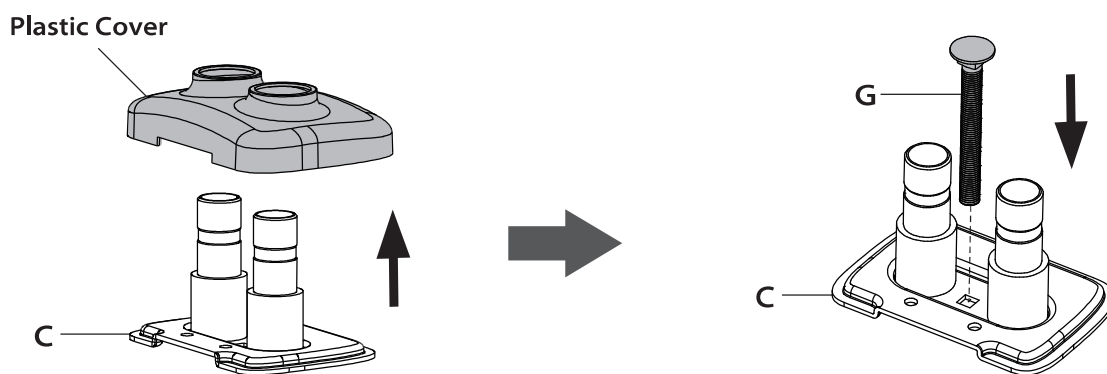
OPTION B: Grommet Base Installation

If existing grommet hole comes with a plastic protector, remove it to ensure a flat surface before installing the desk mount.

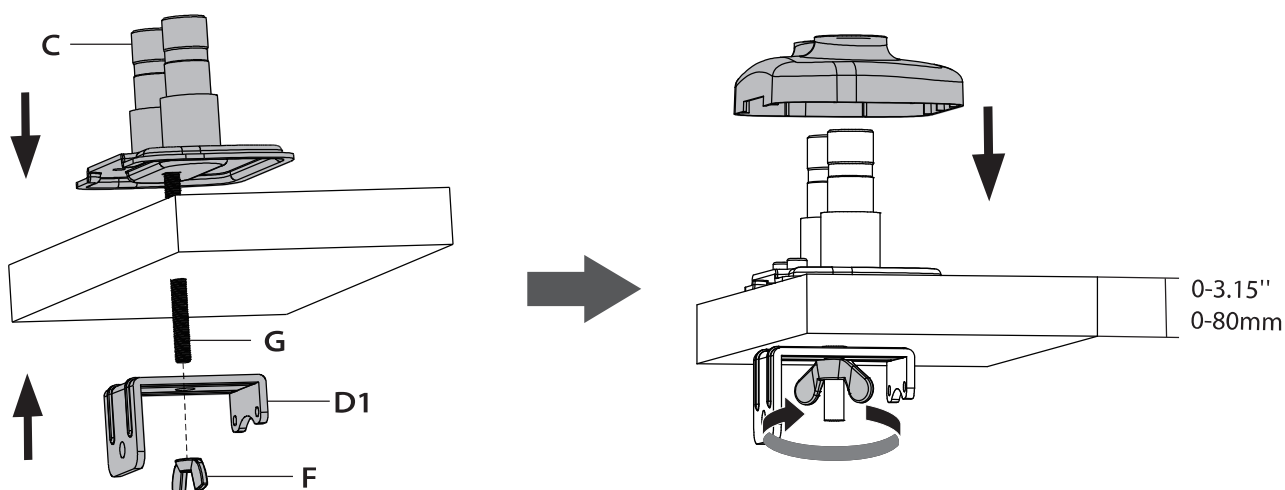
Firstly detach Bracket (D1) from Clamp (D).



Then remove the plastic cover from Base (C). Run Carriage Bolt (G) through Base (C).

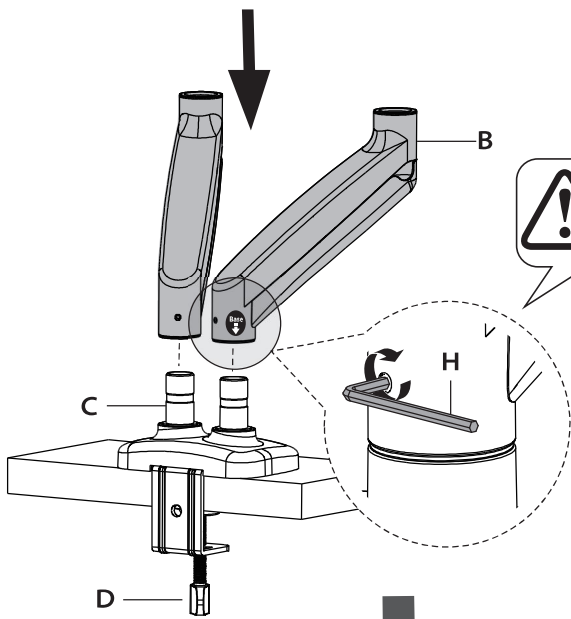


By tightening Wingnut (F) after making Bracket (D1) through Carriage Bolt (G) and stacked above Wingnut (F), Base (C) would be fixed to your desk securely. Install the plastic cover to Base (C) finally.

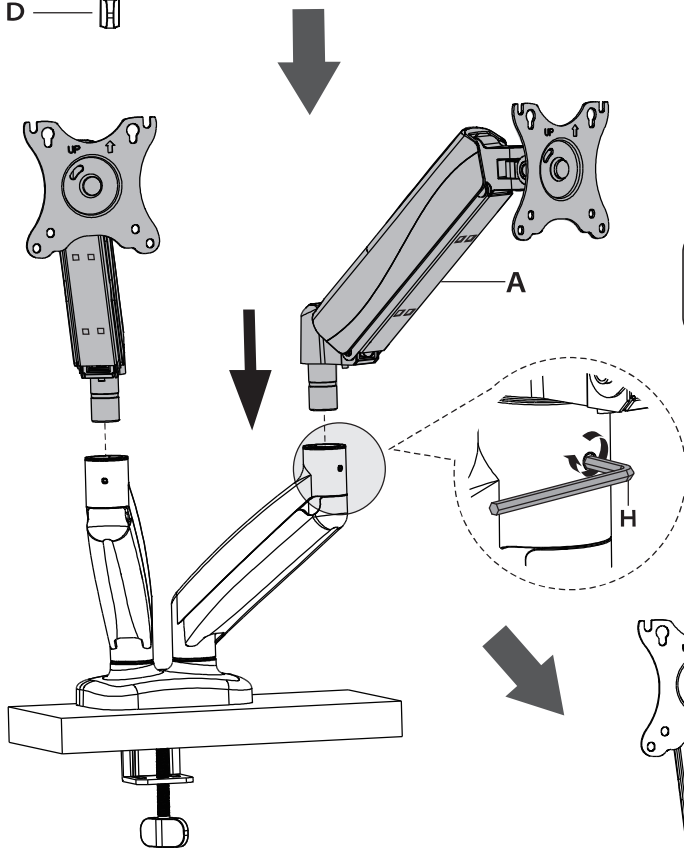
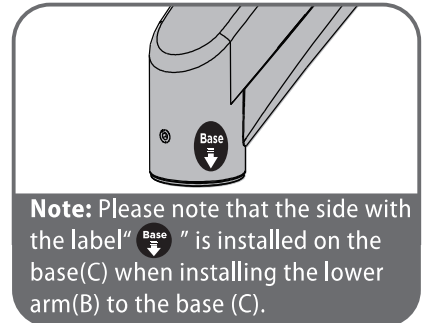


STEP 3: Arm Installation

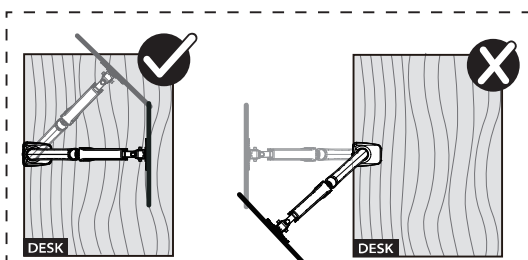
Install the lower arm (B) to the base (C). Secure the arm by tightening the inside screw using 3mm Allen key (H).



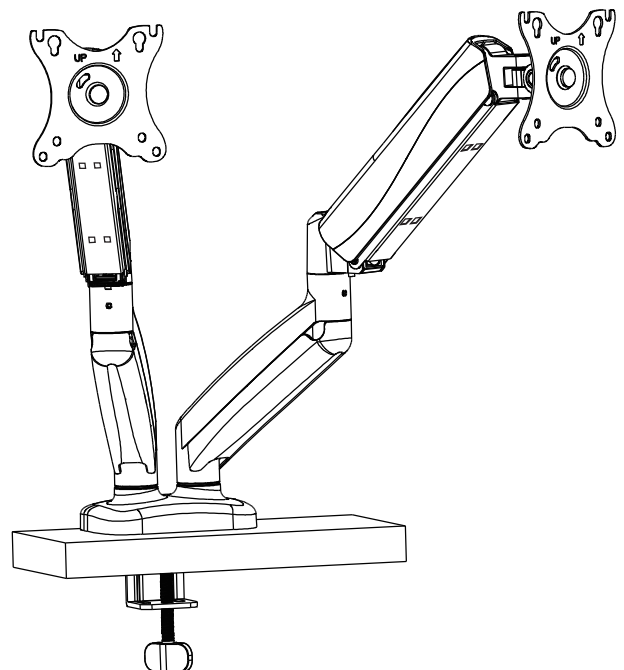
DO NOT tighten the screw excessively or it might be stripped.



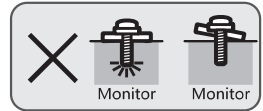
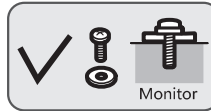
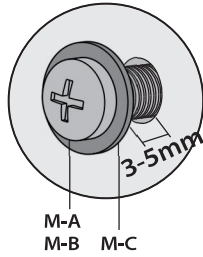
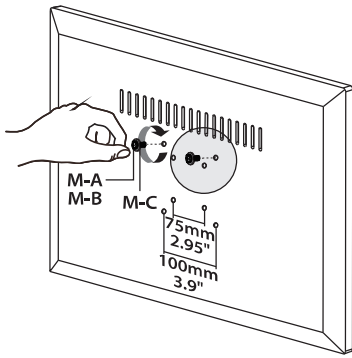
DO NOT tighten the screw excessively or it might be stripped.



Please do not move stand outside desk for safety!



STEP 4: Attach Monitor

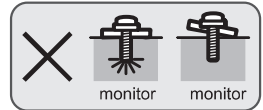
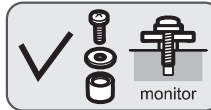
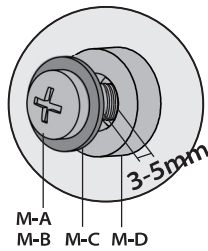
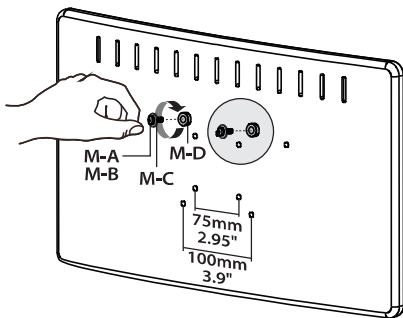
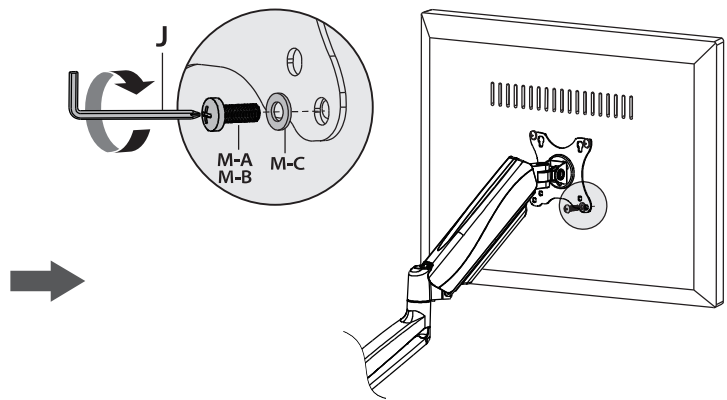
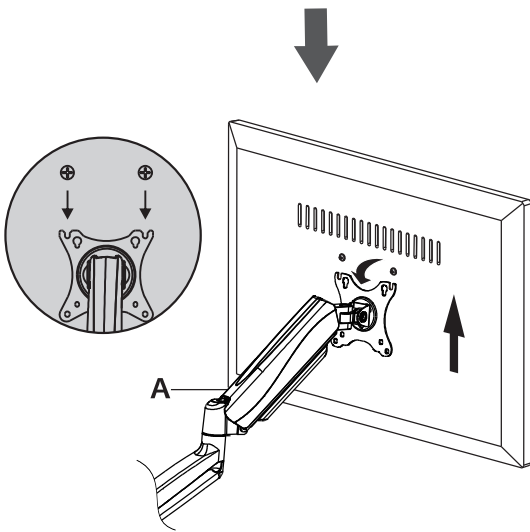


OPTION A: Flat Back Monitor

Firstly choose suitable screws (M-A or M-B) according to the hole size of your monitor back; then assemble two of them and Washers (M-C) with 3-5mm space left.

Next hang your monitor onto VESA plate of Upper Arm (A). Finally finish the attachment by using a 6mm Allen Key (J) to tighten all chosen screws (M-A or M-B) along with D6 Washers (M-C).

Please make sure you don't tighten the screws much excessively or it may cause your monitor damage.

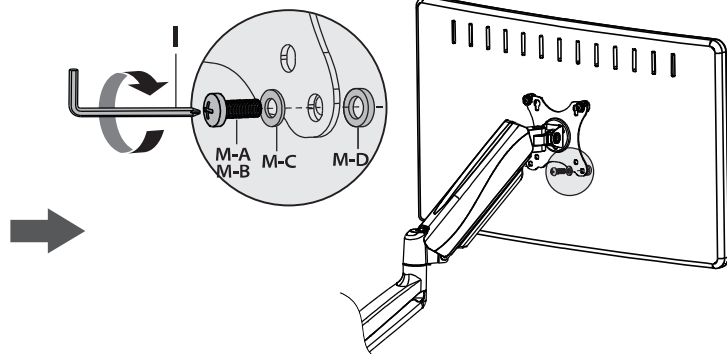
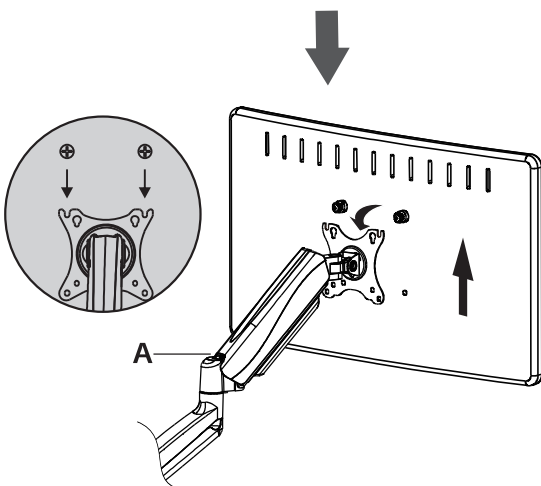


OPTION B: Curved Back Monitor

Firstly choose suitable screws (M-A or M-B) according to the hole size of your monitor back; then assemble two of them, Washers (M-C), and Spacers (M-D) with 3-5mm space left.

Next hang your monitor onto VESA plate of Upper Arm (A). Finally finish the attachment by using a 6mm Allen Key (J) to tighten all chosen screws (M-A or M-B) along with D6 Washers (M-C) and Spacers (M-D).

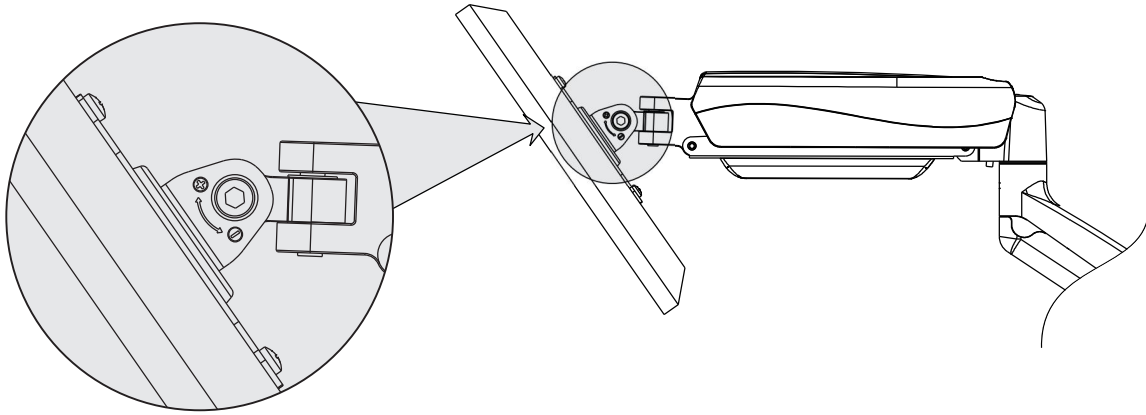
Please make sure you don't tighten the screws much excessively or it may cause your monitor damage.



STEP 5: Tilt Adjustment

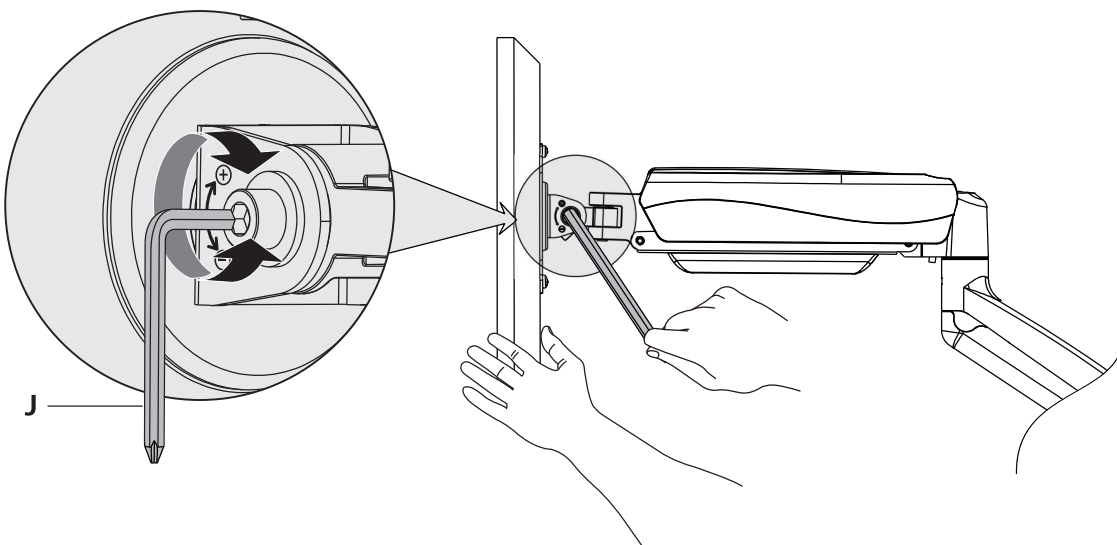
Problem:

Monitor tilts down.



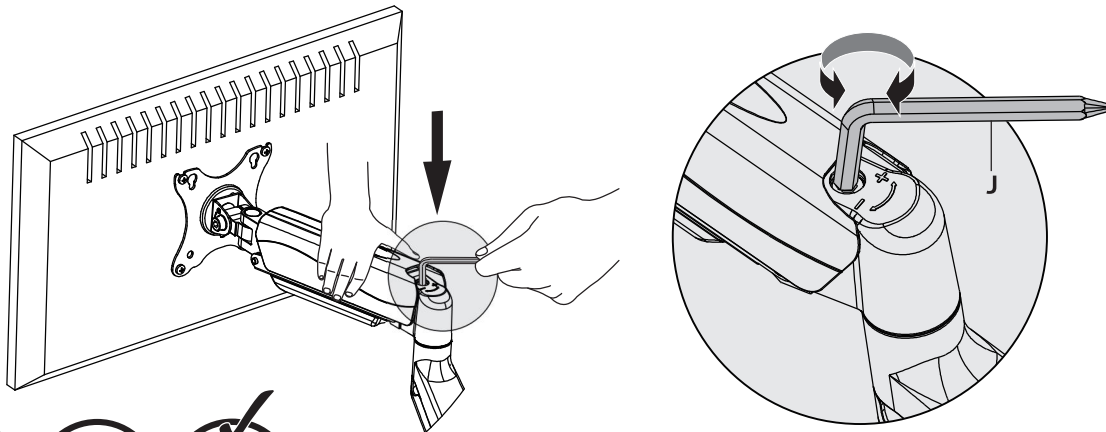
Solution:

1. Loosen the tilting bolt.
2. Hold the bottom of monitor with one hand and adjust to determine your desired tilt angle.
3. Retighten the tilting bolt to fix the intended angle.



STEP 6: Adjust Tension

For intended functioning of the mount, you may need to adjust the tension of Upper Arm (A) in accordance with your monitor weight by 6 mm Allen Key (J).



CAUTION

Note1:

Be sure to keep the arm in a horizontal position during adjustment. Or else it would be difficult to adjust the mount or damage the mount.

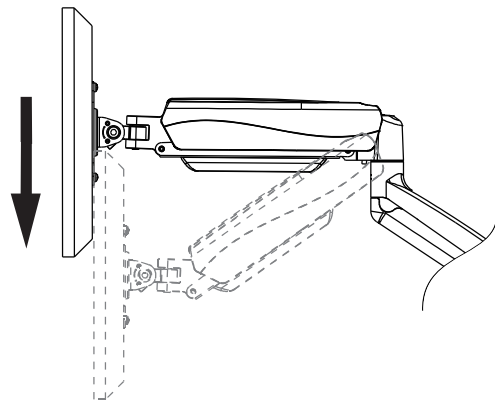


Situation 1: Arm falls down

Upper Arm with monitor falls down and fails to stay where intended.

Solution:

Turn the inside screw counterclockwise(“+”direction) to increase gas spring tension until the arm can stay as intended.

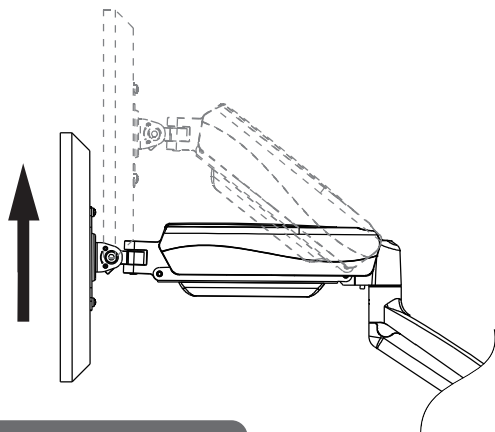


Situation 2: Arm rises up

Upper Arm with monitor rises up and fails to stay where intended.

Solution:

Turn the inside screw clockwise(“-”direction) to decrease gas spring tension until the arm can stay as intended.



Note2:

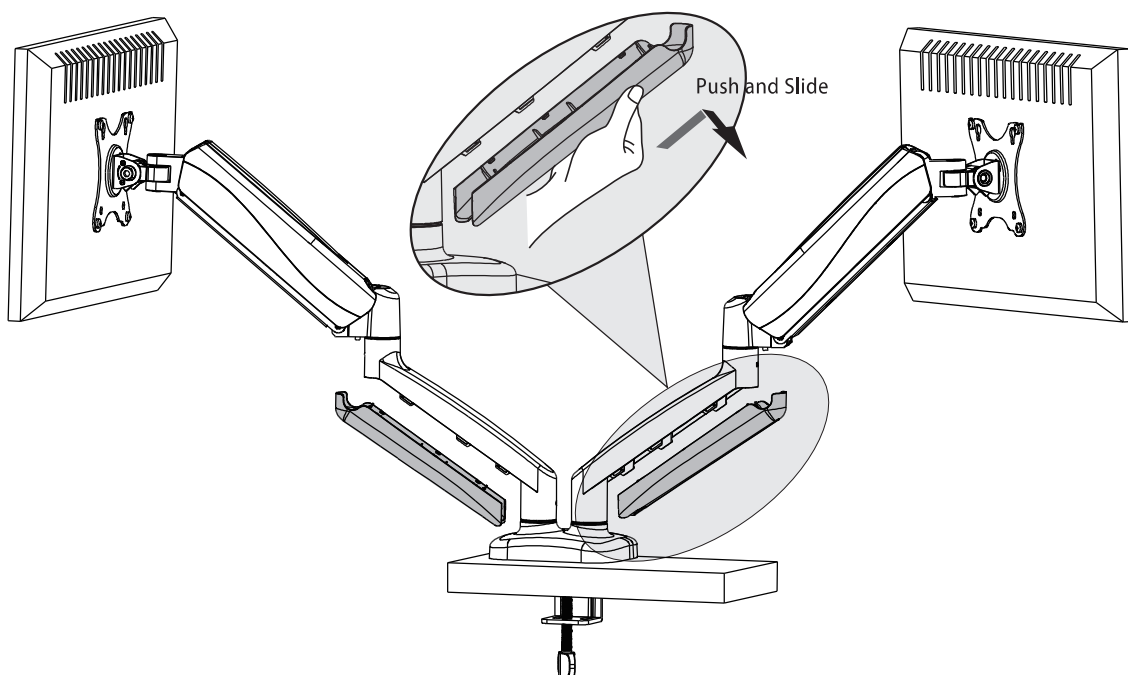
For how many circles the screw should be turned, please refer to the table below.

Monitor Weight	4.4 lbs (2kg)	6.6 lbs (3kg)	8.8 lbs (4kg)	11 lbs (5kg)	13.2 lbs (6kg)	15.4 lbs (7kg)	17.6 lbs (8kg)
Circles (AT LEAST)	min	1	4	8	11	14	17

STEP 7: Cable Management

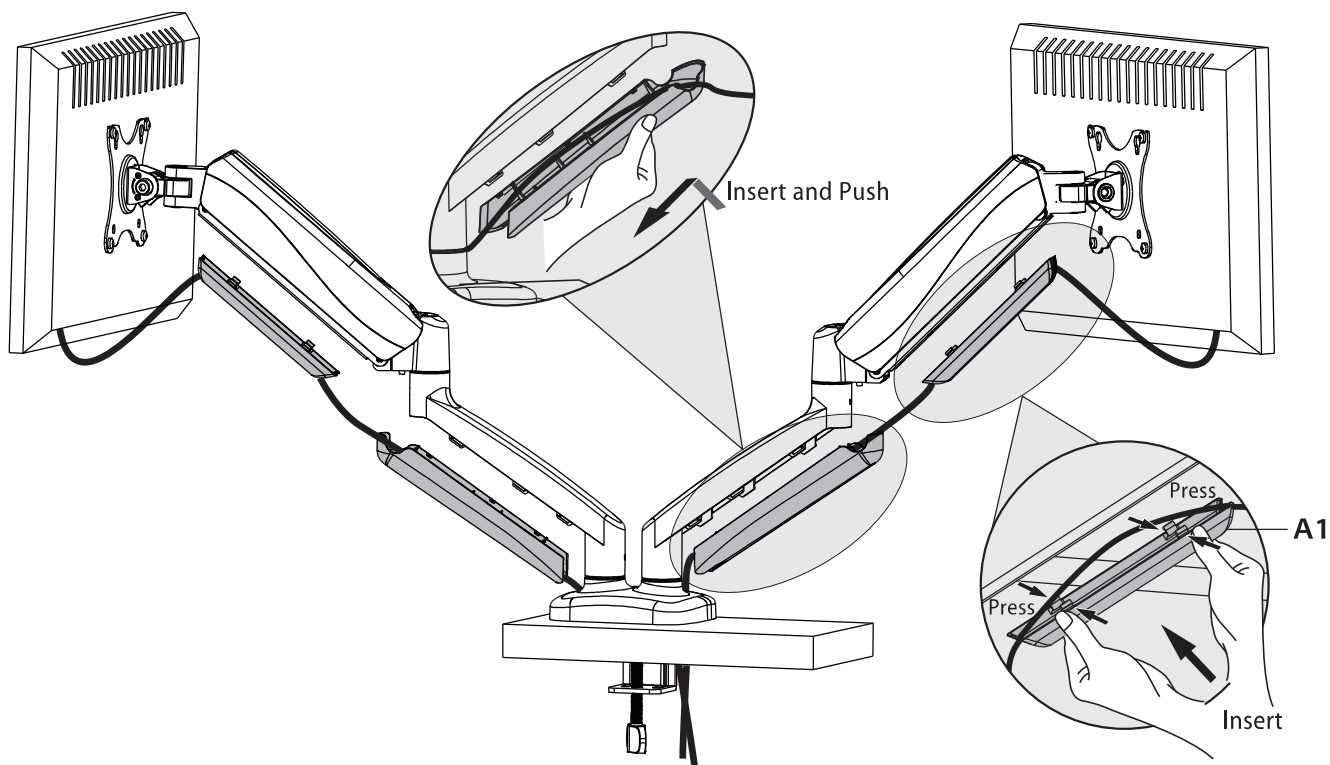
7-1 Remove Cable Cover

- For lower arm: Remove the bottom plastic cover from lower arm as shown in the diagram below.



7-2 Attach Cable Cover

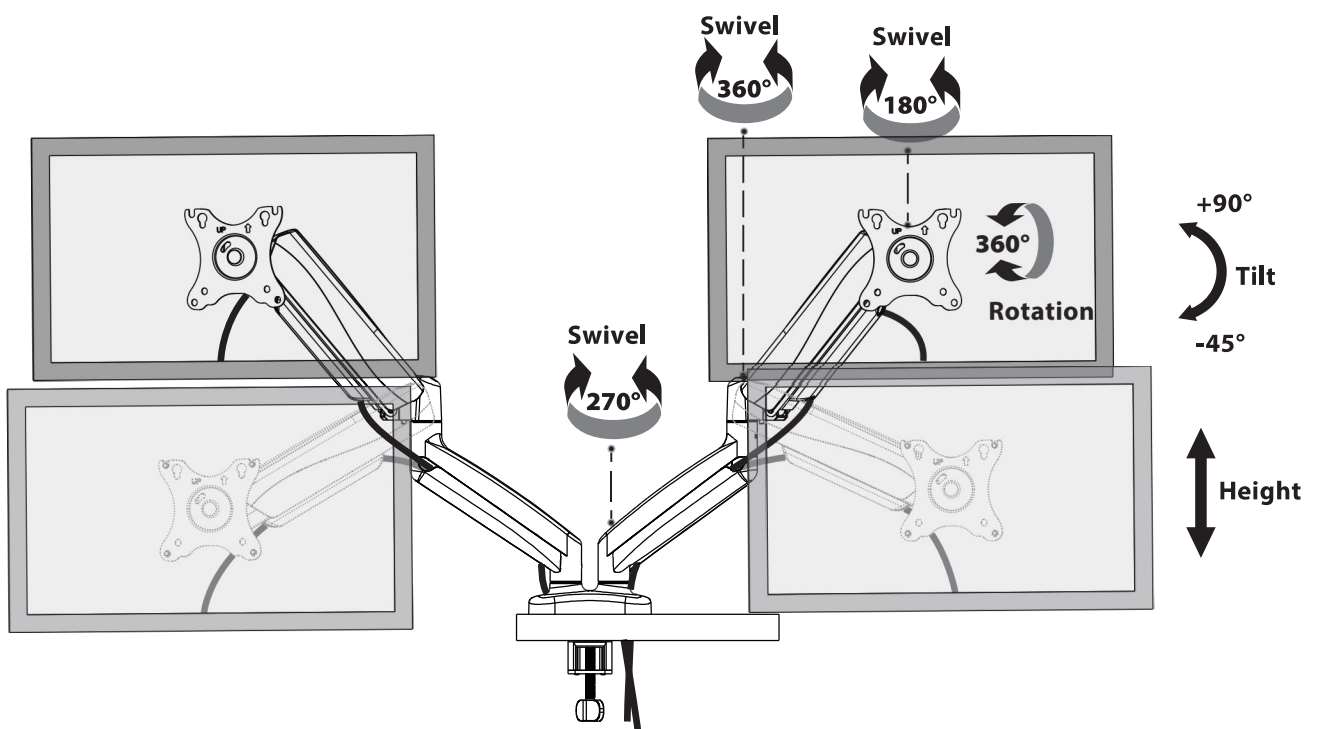
- For lower arm: Run cables through the cable cover, then insert and slide the cover down for reattachment;
- For upper arm: Run cables through the cable cover, then with both hands slightly press inwards the tabs inside the cover and insert it to upper arm.



Adjust as Desired

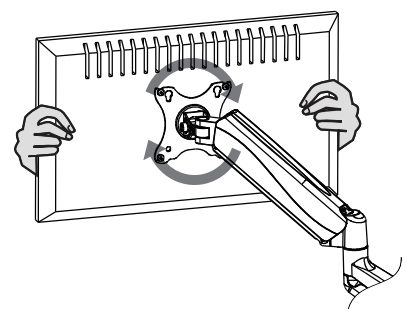
Adjust monitor position and rotation.

- ☑ Tilt
- ☑ Swivel
- ☑ Rotation
- ☑ Height

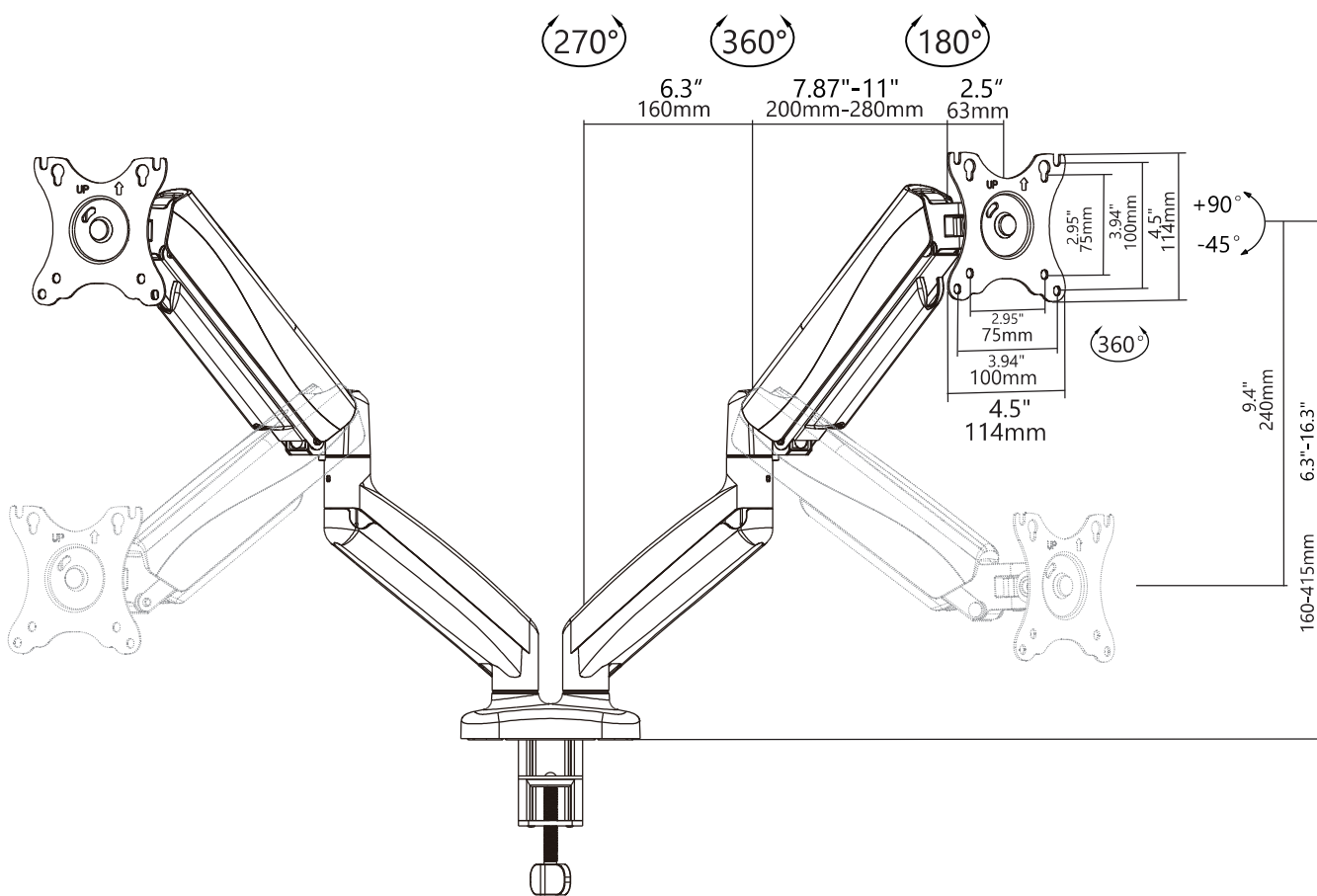


Note: To ensure stability, the tightness of the rotating axis has been preset, so it would be kind of difficult to rotate the VESA plate.

Suggestion: Please attach the monitor first, then hold the sides of it with both hands, and rotate vigorously. If that doesn't work out, please do not hesitate to ask for our help.



Product Dimensions





CAUTION AND MAINTENANCE:

- Don't allow children to climb, stand, hang, or play on any part of monitor or stand.
- This product is intended for indoor use only. Using this product outdoors may lead to product damage or personal injury.
- Check if that the bracket is secure and safe to use at regular intervals (at least every three months).