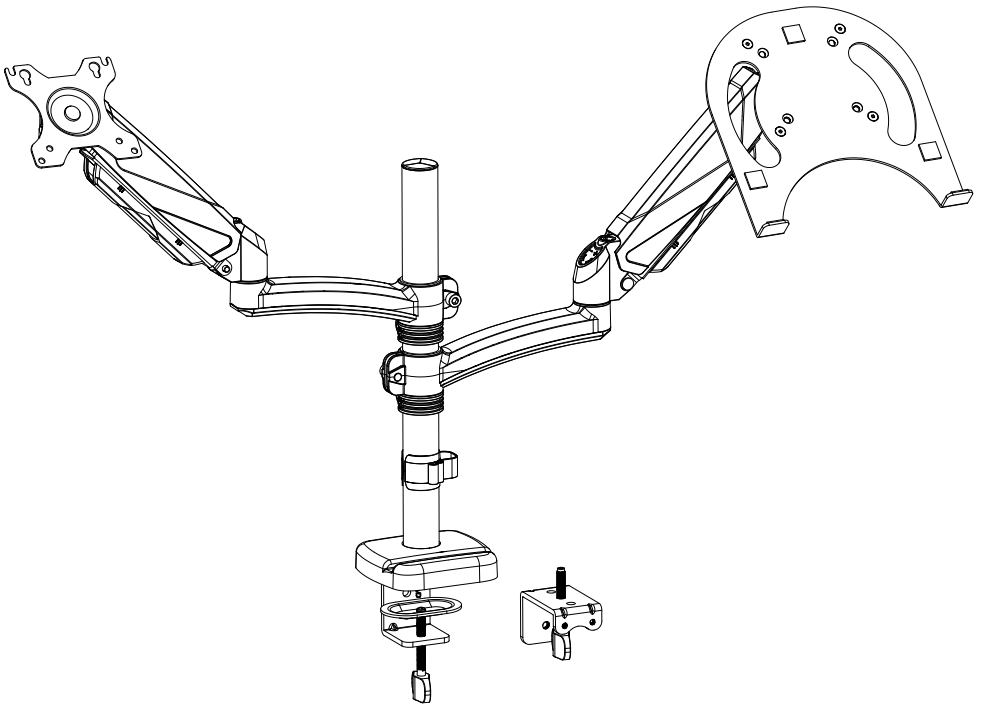

Dual Monitor and Laptop Mount

Instruction Manual



⚠ WARNING!

BEFORE ASSEMBLY

- Layout all components and hardware. Check all parts are included and undamaged.
- Should anybody intends to install or use this mount, please read and understand this manual carefully.
- If you do not understand these instructions or have any doubt about the safety instructions, assembly or use of this product, please contact our customer service.

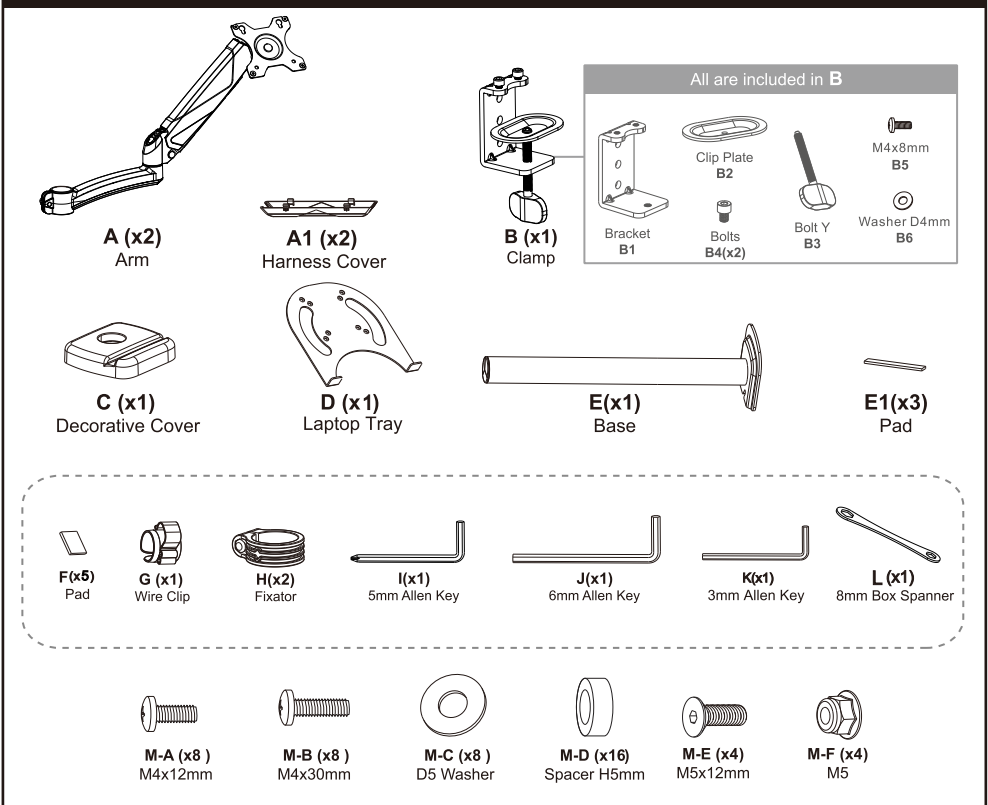
WARNING

- This product contains small items that could be a choking hazard if swallowed.
- **KEEP AWAY FROM CHILDREN UNDER 3 YEARS OLD. ADULT SUPERVISION IS REQUIRED.**
- Improper installation, such as using the product for monitors over its load capacity or for any purpose not explicitly specified, may cause damage or serious injury. We would not be liable for any damage or injury mounting or caused by improper inappropriate use.

CAUTION AND MAINTENANCE

- Never allow children to climb, stand, hang, or play on any part of monitor or stand.
- This product is intended for indoor use only. Using this product outdoors could lead to product failure and personal injury.
- Check that the bracket is secure and safe to use at regular intervals (at least every three months).

PACKAGE CONTENTS



DO NOT EXCEED WEIGHT CAPACITY.

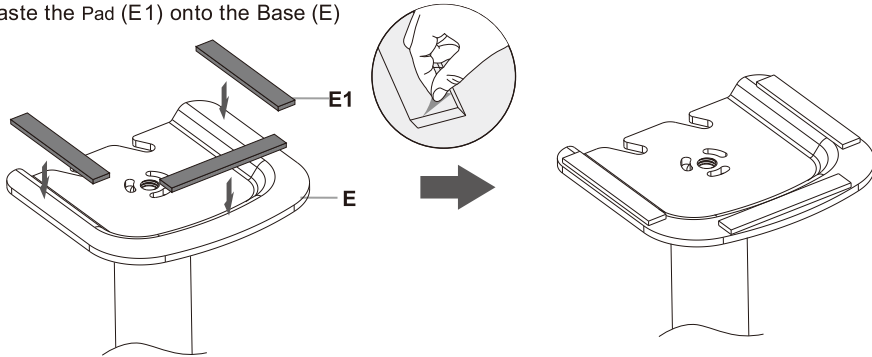
(4.4-19.8lbs)x2
(2-9kg)x2

NOTE: Not all hardware included will be used.

ASSEMBLY STEPS

STEP 1: Apply Pads To The Base Bottom

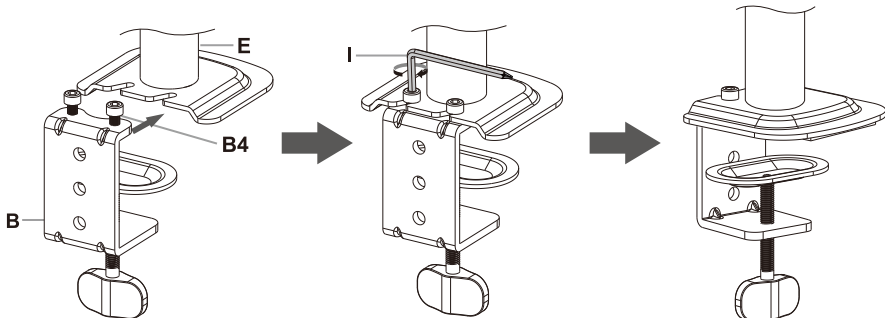
Paste the Pad (E1) onto the Base (E)



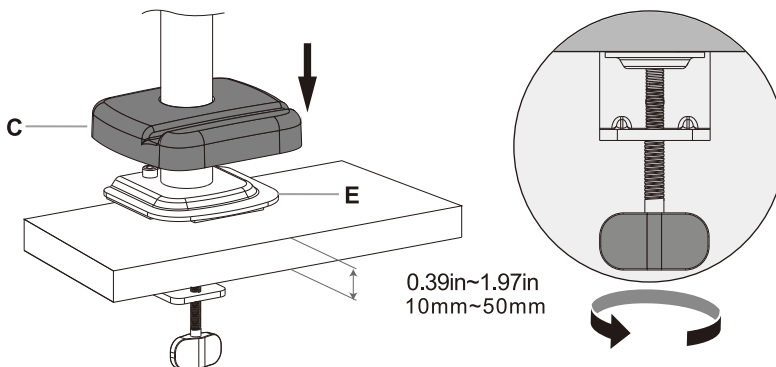
STEP 2: Clamp Installation Or Grommet Base Installation

OPTION A: Clamp Installation

Loosen bolts (B4) by using 5mm Allen Key (I), then align the screw hole on the Base (E), and then lock the Screw (B4) with a 5mm Allen Key (I).



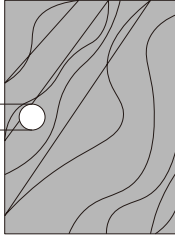
Fix the Decorative Cover (C) to the Base (E) and fix the bracket on the table by tightening the Clamp (B).



STEP 2: (Continued)

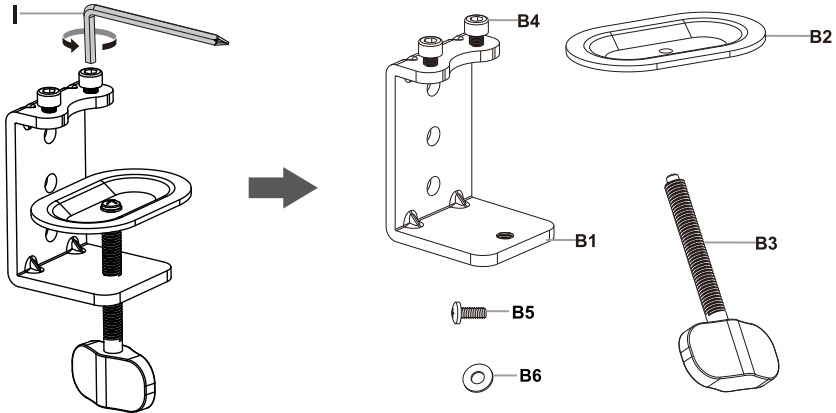
OPTION B: Grommet Base Installation

0.39"~2.36"
10mm~60mm

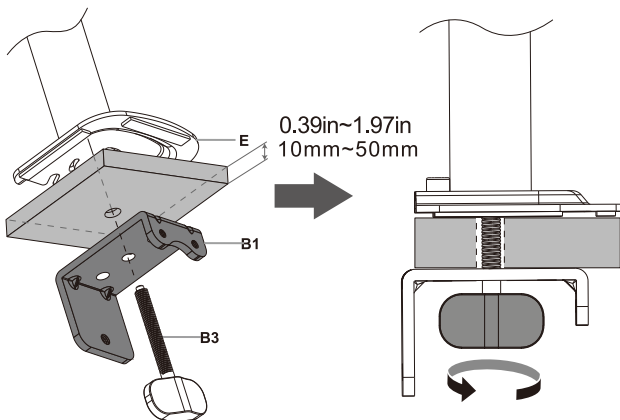


Ensure the desktop has a hole between 0.39"~2.36" (10mm~60mm) in diameter to use this option.

Use 5mm Allen Key(I) to detach Clip Plate(B2)and Bolt Y(B3) from Clamp(B).

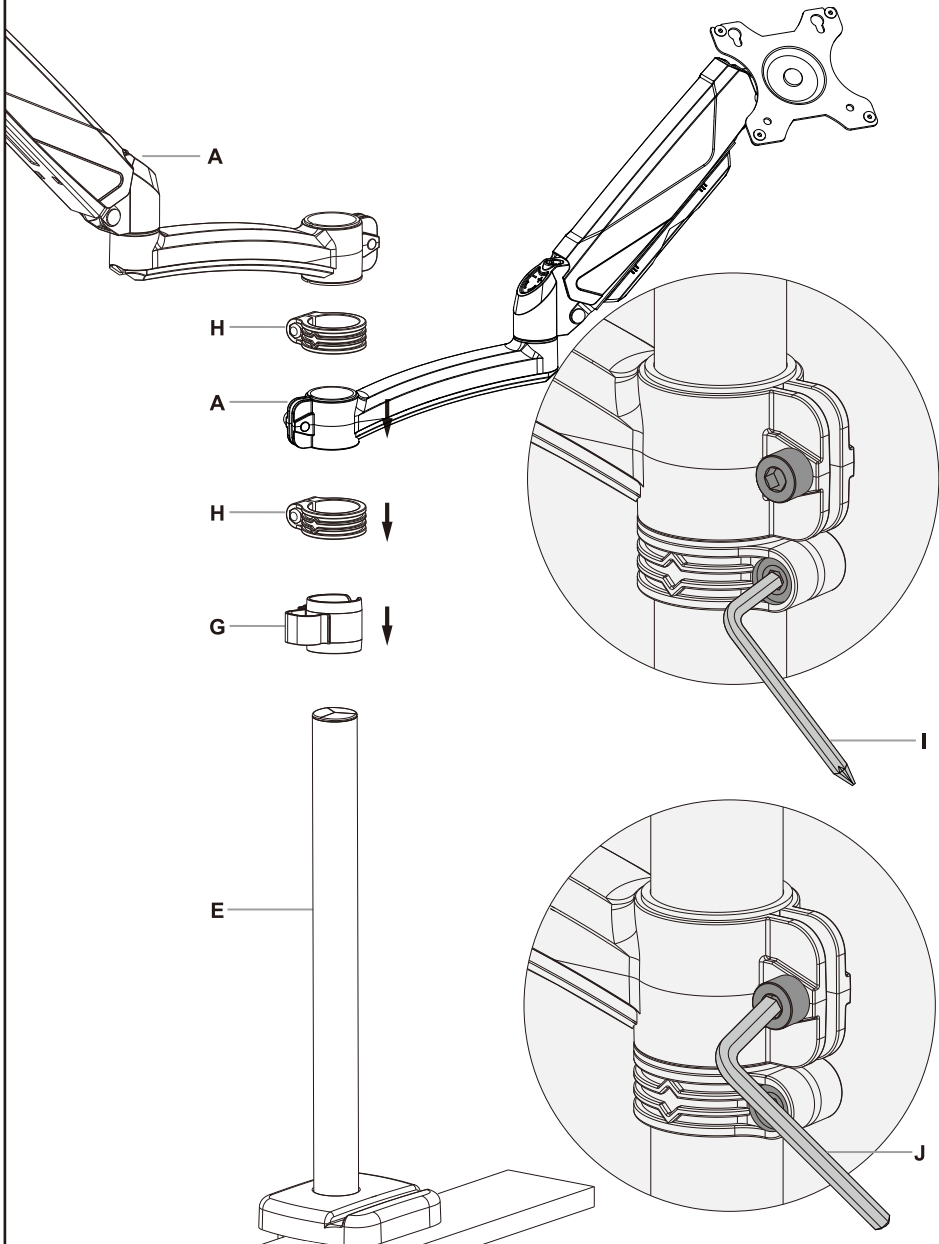


Use Bolt Y (B3) through the screw hole on Bracket (B1) to fix the Base (E) and the table board together.



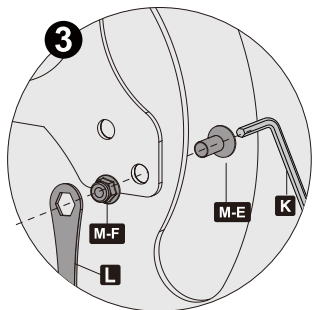
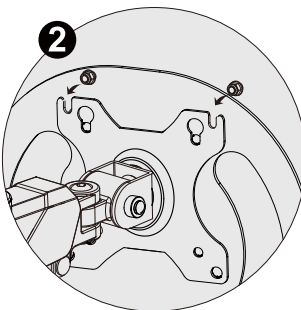
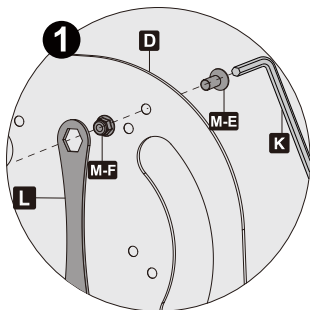
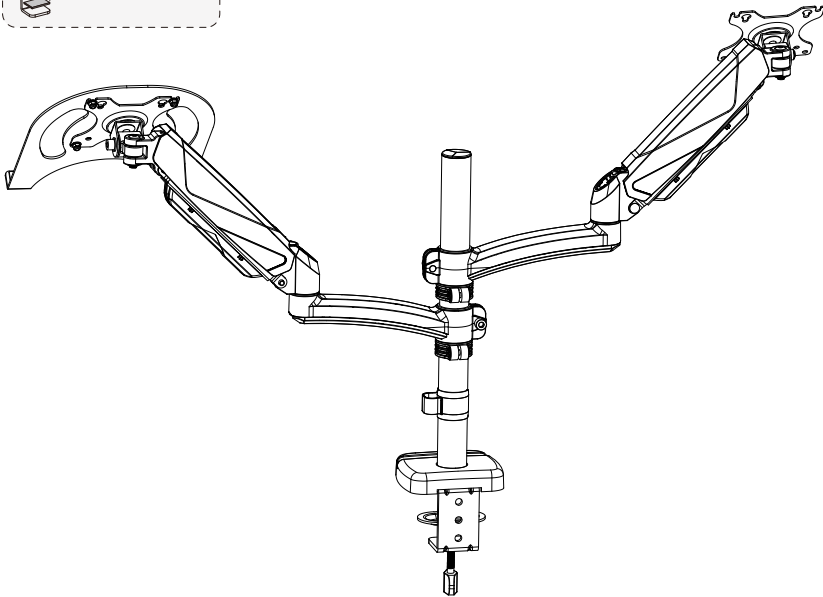
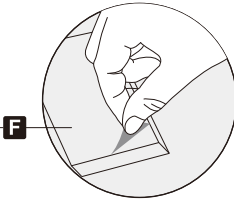
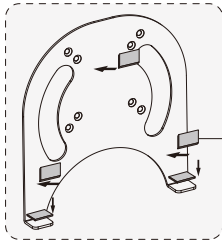
STEP 3 : Arm Installation

Install Arm (A), Fixator(H) , Wire Clip (G) on the base in sequence as shown below.
Make sure to tighten the Fixator(H) to desired place with 5mm Allen Key(I).
Adjust the tightness of the bolt of Arm(A) to make the rotation flexible.



STEP 4 : Front-panel Installation

Install Laptop Tray (D) to the Arm , Apply pads (F) to the Laptop Tray (D) to avoid laptop scratches.



1. Install the top two screws first
2. Then attach the laptop trap (D) to arm
3. Finally install the next two screws and tighten all screws

STEP 5 : Attach Monitor

(a)
 Flat Back
 Flache Rückseite
 Dos Plat
 Posteriore Piatto
 Espalda Plana



M-A



M-C

(b)
 Recessed or Curved Back
 Vertiefte oder gebogene Rückseite
 Dos concave ou plié
 Posteriore Incassato o Curvo
 Espalda Cóncava o Curvada



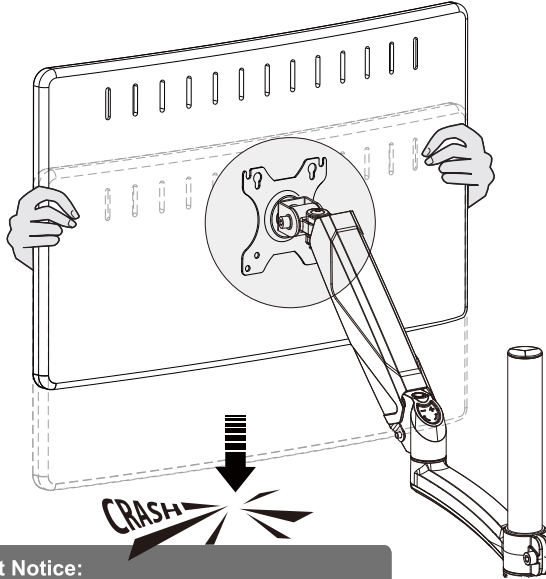
M-B



M-C



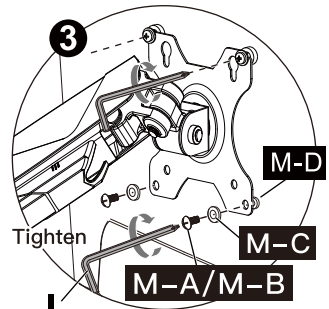
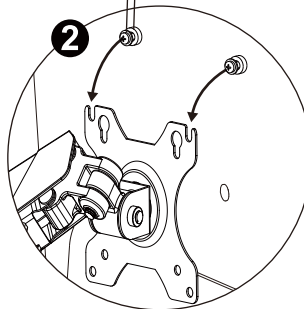
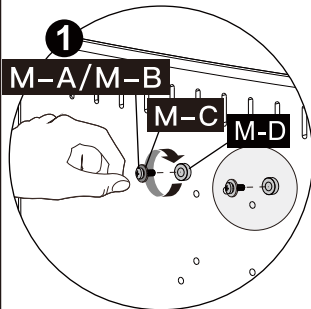
M-D



Important Notice:

The pressure of the gas spring is initially set at the lowest value. So when the monitor is hung on, make sure you hold it with both hands and DO NOT let it go down suddenly.

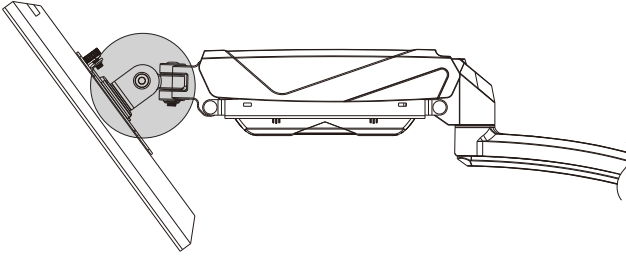
0.20in.(5mm)
 spacing left



1. Install the top 2 screws first with 5 mm space left.
2. Then attach the monitor to the arm.
3. Finally install the next 2 screws and tighten all 4 screws.

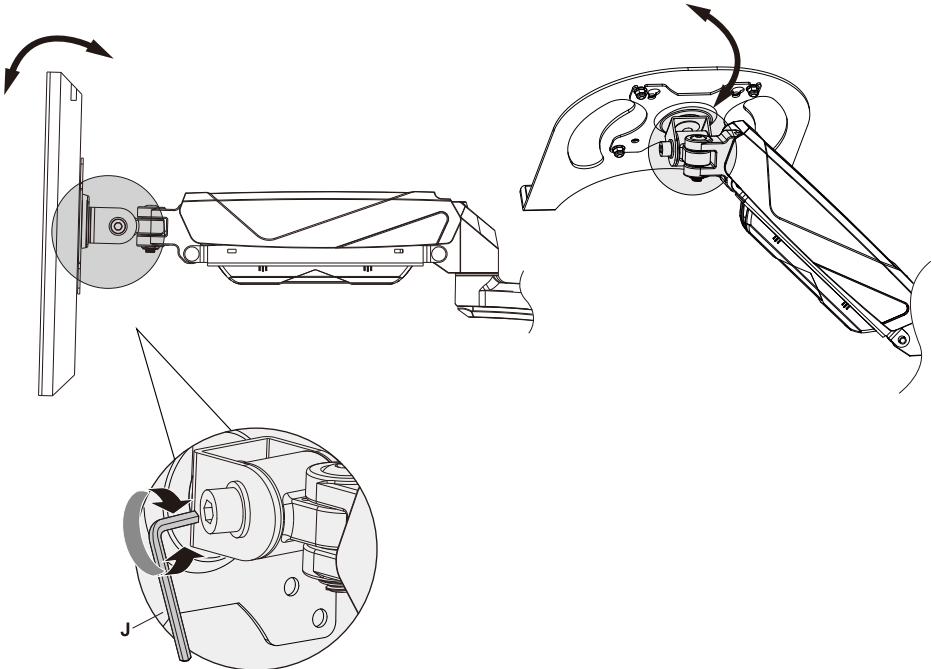
STEP 6 : Tilt Adjustment

Problem: If monitor or laptop is facing down



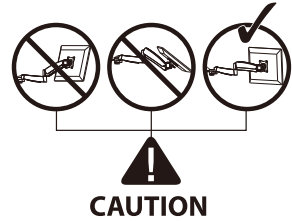
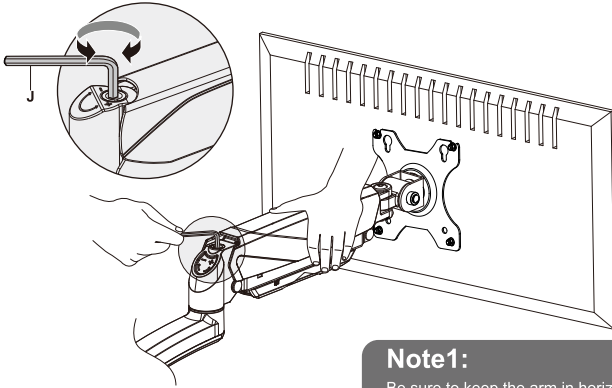
Solution:

1. Slightly loosen the tilting bolt.
2. Adjust monitor and laptop tray to your desired tilt angle.
3. Retighten tilting bolt to secure the monitor and front-panel in place.



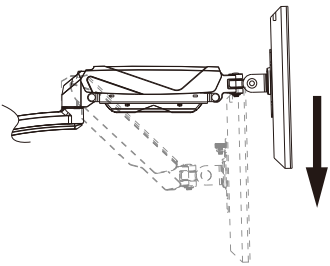
STEP 7 : Adjust Tension

For intended functioning of the mount, you may need to adjust the tension of Arm (A) in accordance with your monitor weight by 6 mm Allen Key (J).



Note 1:

Be sure to keep the arm in horizontal position during adjustment. Or else it would be difficult to adjust the mount or damage the mount.

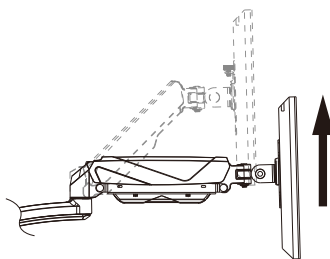


Situation 1: Arm falls down

Upper Arm with monitor falls down and fails to stay where intended.

Solution:

Turn the inside screw counterclockwise(“+”direction) to increase gas spring tension until the arm can stay as intended.



Situation 2: Arm rises up

Upper Arm with monitor rises up and fails to stay where intended.

Solution:

Turn the inside screw clockwise(“-”direction) to decrease gas spring tension until the arm can stay as intended.

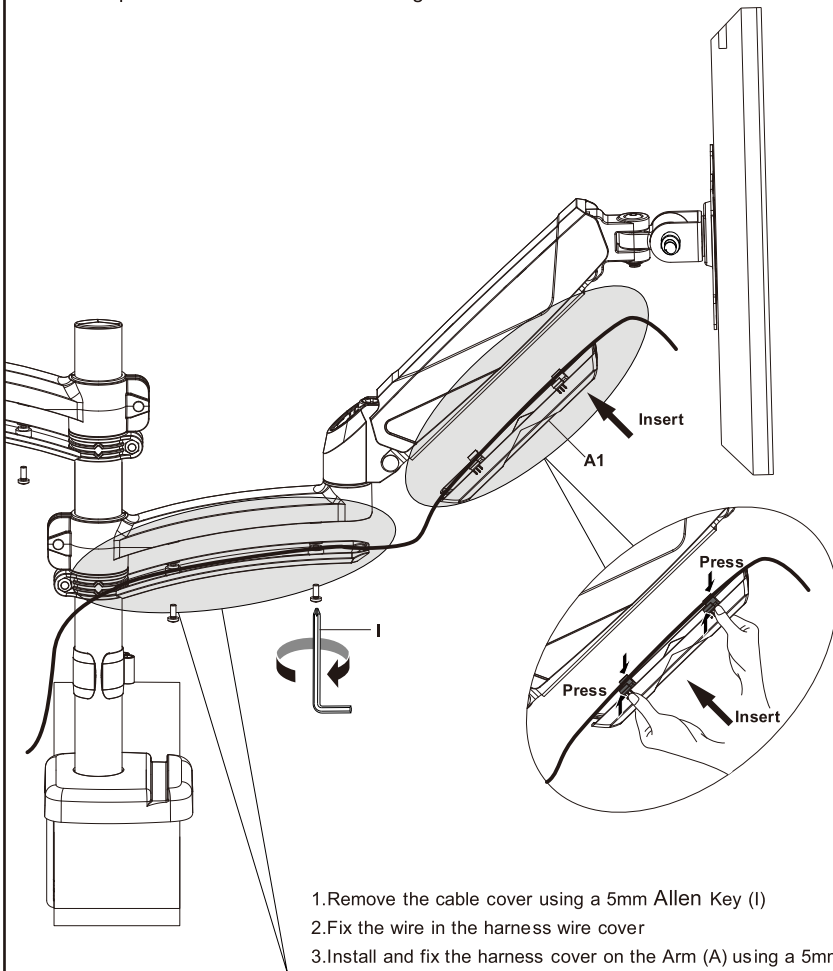
Note 2:

For how many circles the screw should be turned, please refer to the table below.

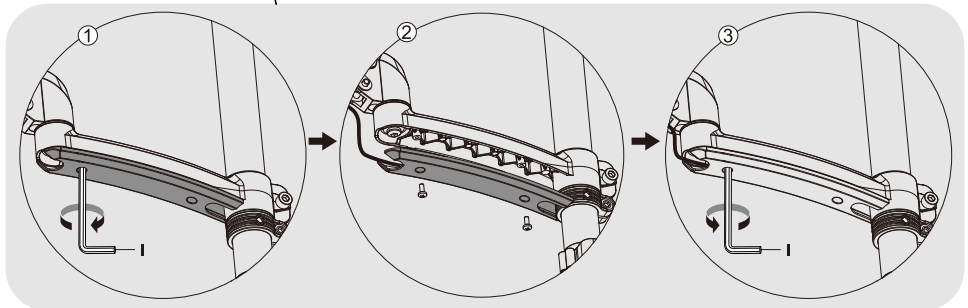
Monitor Weight	2kg	3kg	4kg	5kg	6kg	7kg	8kg	9kg
Circles(AT LEAST)	min	2	4	6	8	10	12	15

STEP 8 : Cable Management

Remove bottom plastic covers from gas spring Arm (A) .Run cables from monitor through bottom of gas spring Arm (A). Then cover the Wire Cap (A1) onto the upper arm of the Arm (A). Reattach plastic covers as shown in diagram .



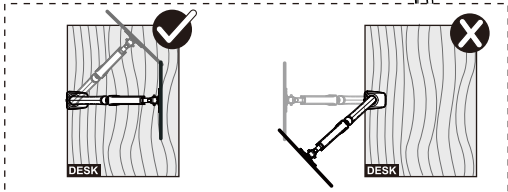
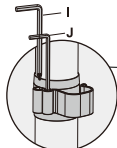
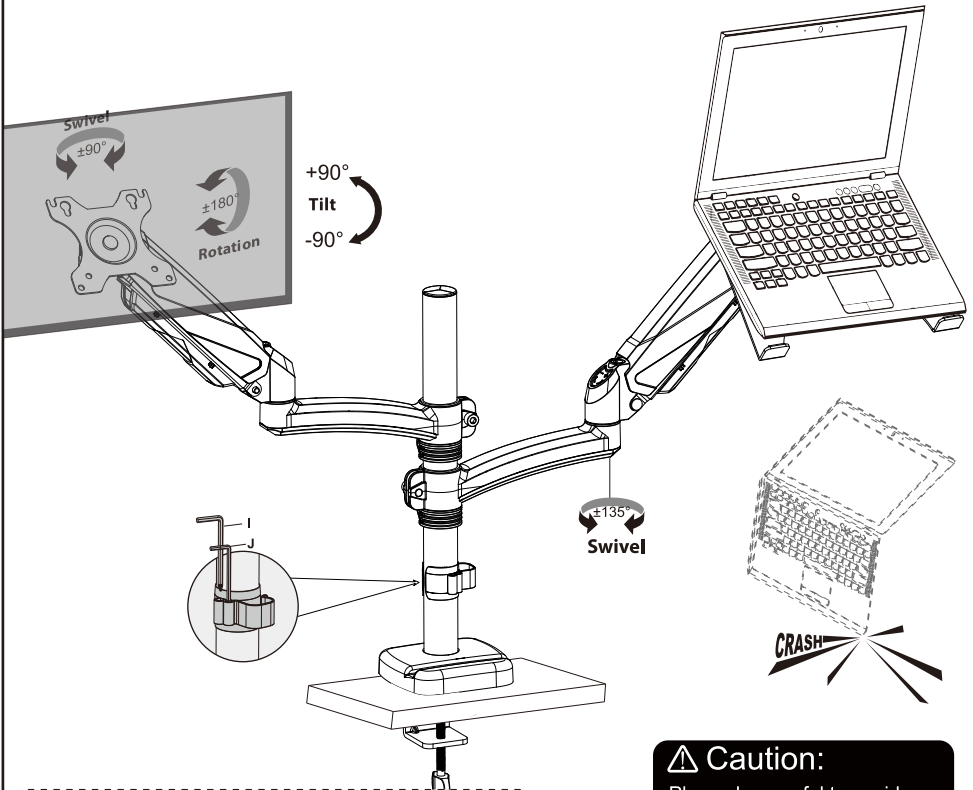
- 1.Remove the cable cover using a 5mm Allen Key (I)
- 2.Fix the wire in the harness wire cover
- 3.Install and fix the harness cover on the Arm (A) using a 5mm Allen Key (I)



Adjust as Desired

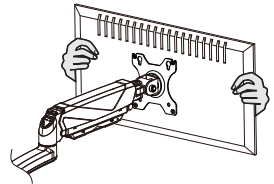
Adjust monitor position and rotation.

- Tilt
- Swivel
- Rotation



Please do not move stand outside desk for safety!

⚠ Caution:
Please be careful to avoid Laptop falling off during use.



Note: To ensure stability, the tightness of the rotating axis has been preset, so it would be kind of difficult to rotate the VESA plate.
Suggestion: Please attach the monitor first, then hold the two sides of it with both hands, and rotate vigorously.
If that doesn't work out, please do not hesitate to ask for our help.

Product Dimensions

