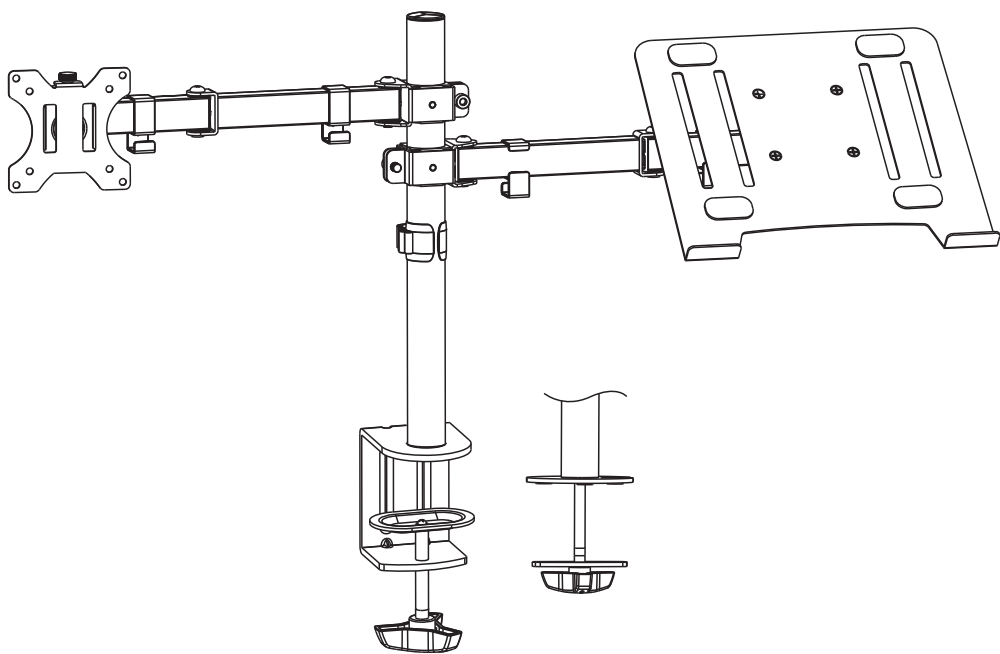


MOUNTUP

Single Monitor and Laptop Tray Desk Mount Instruction Manual



MU4002

75x75
100x100

27"

(8kg/17.6lbs)x2

⚠ WARNING!

If you do not understand these instructions or have doubts about the safety of the installation, assembly or use of this product, please contact us.

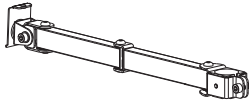
Before starting assembly, verify all parts are included and undamaged. Improper installation may cause damage or serious injury. Do not use this product for any purpose that is not explicitly specified in this manual. Do not exceed weight capacity. We cannot be liable for damage or injury caused by improper mounting, incorrect assembly or inappropriate use.

This product contains small items that could be a choking hazard if swallowed. NOT FOR CHILDREN UNDER 3 YEARS. ADULT SUPERVISION IS REQUIRED.

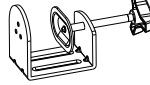
PACKAGE CONTENTS



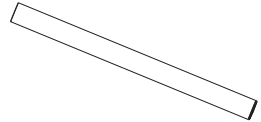
A (x2)
VESA Plate



B (x2)
Swivel Arm



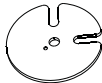
C (x1)
Clamp



D (x1)
Pole



E (x1)
Wire Clip



F (x1)
Base Plate



G (x3)
Bolt



H (x1)
Support Plate



I (x4)
Wire clip



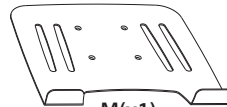
J (x2)
Bolt



K (x1)
4mm Allen Key



L (x1)
6mm Allen Key



M (x1)
Laptop Tray



N (x4)
Pad



O (x4)
Screw



P (x4)
Nut



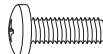
Q (x1)
Strap



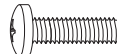
M-A (x4)
M4x12



M-B (x4)
M4x16



M-C (x4)
M6x12



M-D (x4)
M6x16



M-E (x4)
D6 Washer



M-F (x4)
Spacer

NOTE: Not all hardware included will be used.



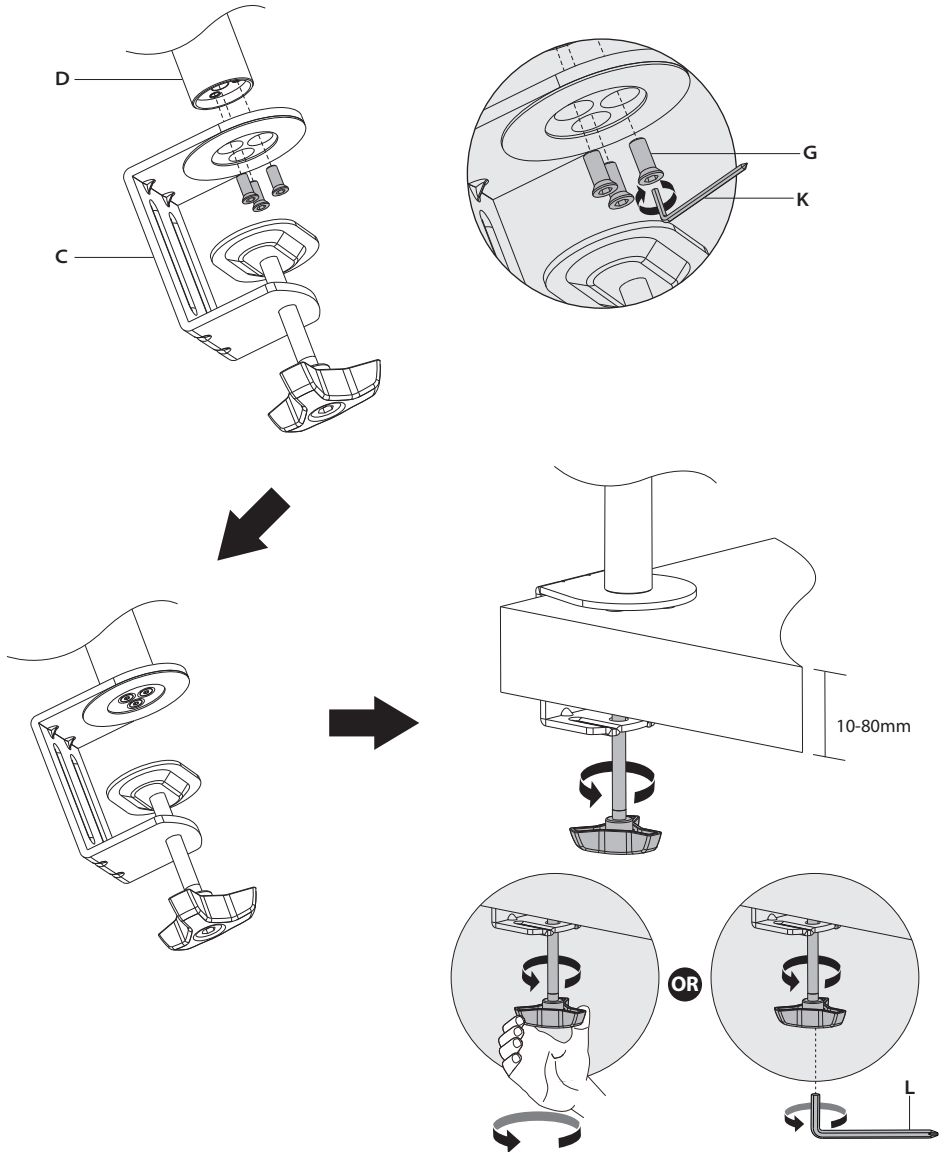
DO NOT EXCEED WEIGHT CAPACITY.

ASSEMBLY STEPS

STEP 1: Clamp Installation OR Grommet Base Installation

OPTION A: Clamp Installation

Install the Clamp (C) to the Pole (D) using 3pcs Bolt(G). Tighten using 4mm Allen key (K).
Secure stand to the desktop by tightening the plastic knob or by using 6mm Allen key (L).

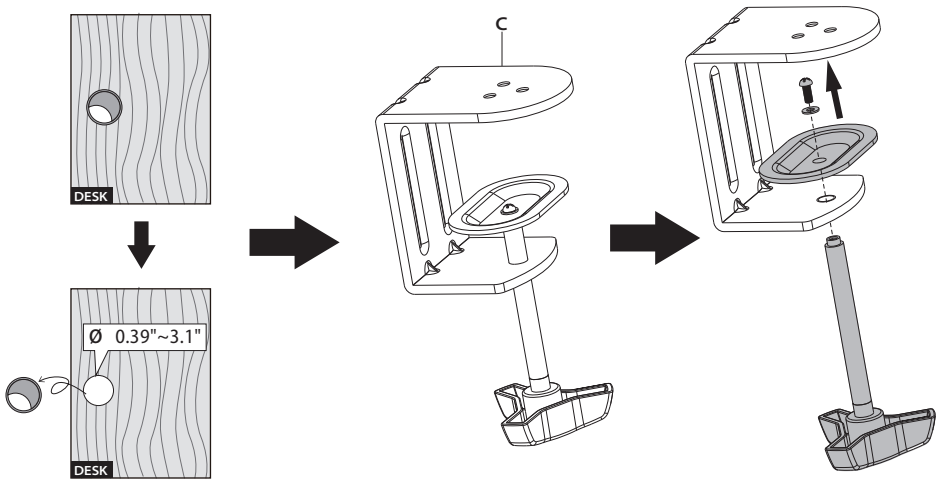


STEP 1: (Continued)

OPTION B: Grommet Base Installation

If existing grommet hole comes with a plastic protector, remove it to ensure a flat surface before installing the desk mount.

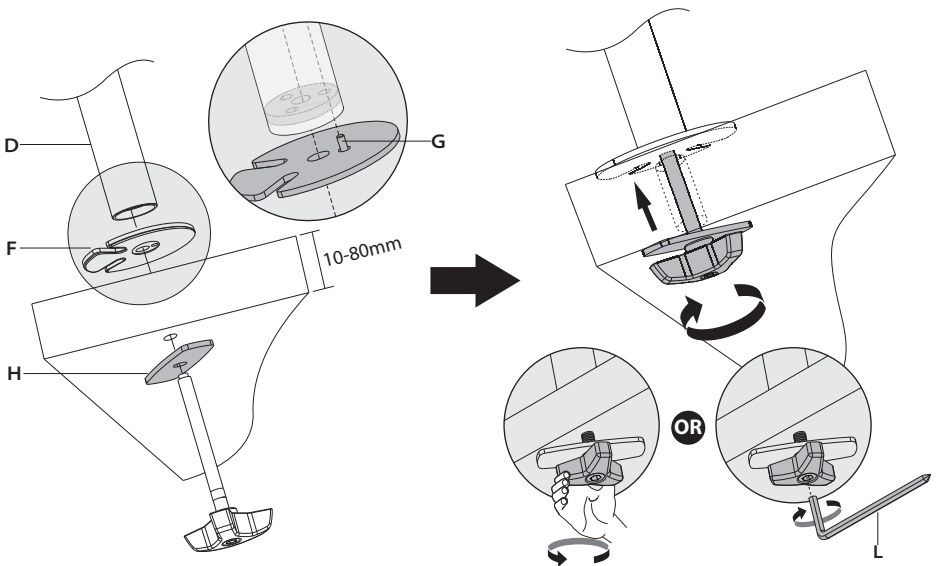
Loosen the screw, separate the clamp (C) into two parts.



Install the Base Plate (F) to the Pole (D) using 1pc of Bolt (G).

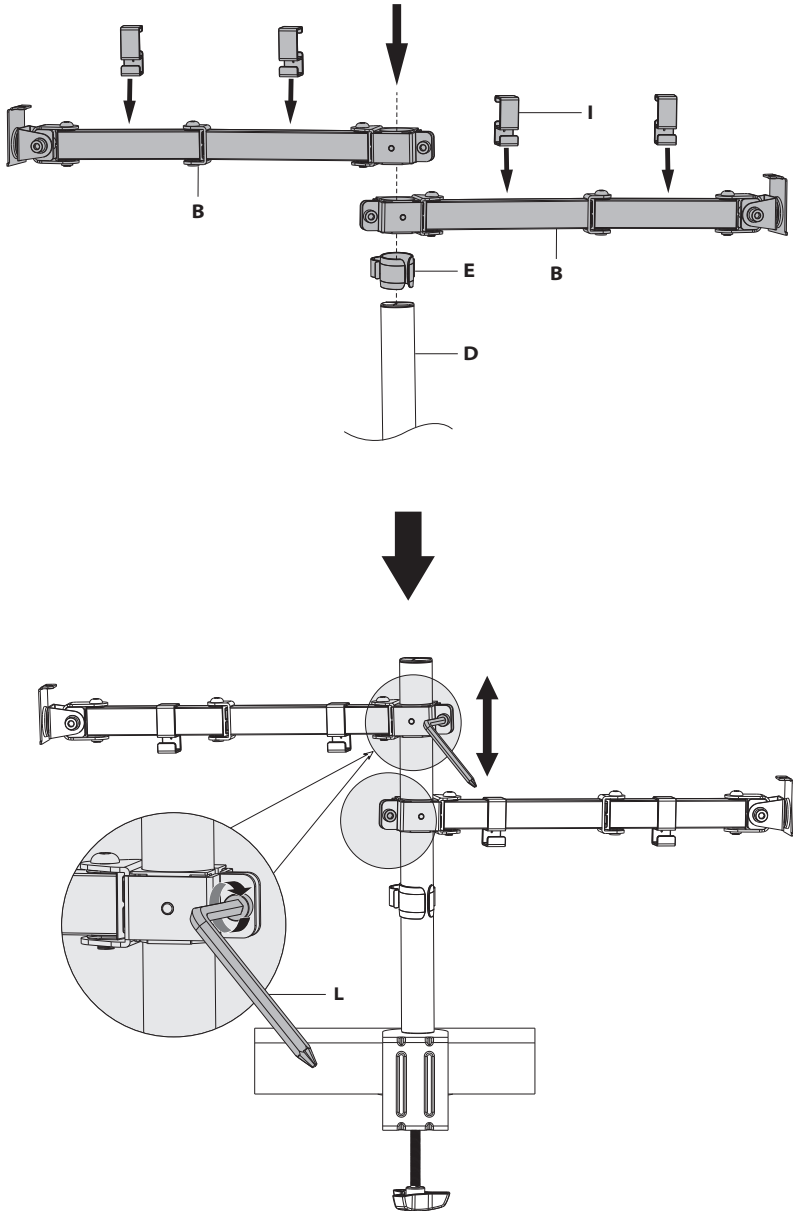
Install the pole (D) on the desktop using the support plate (H) and the bolt separated from clamp (C).

Secure stand to desktop by tightening the plastic knob or by using 6mm Allen key (L).



STEP 2 : Arm Installation

Install wire clip (E) and two swivel arms (B) to the pole (D). Fasten the bolt with supplied 6mm Allen key (L). Attached the wire clips (I) to the swivel arm (B).

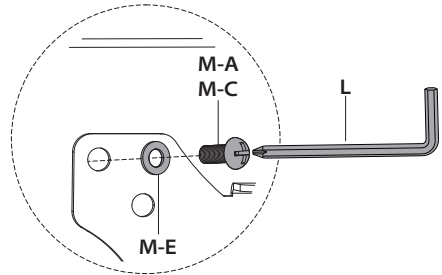
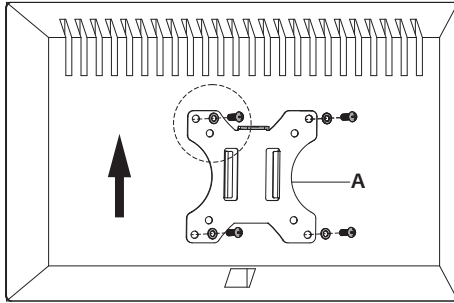
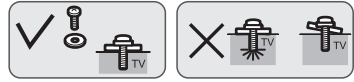


STEP 3 : Attach the VESA Plate to the Monitor or Laptop Tray

3-1: Attached Monitor

OPTION A: Flat Back Monitor

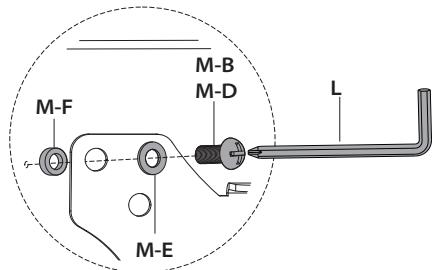
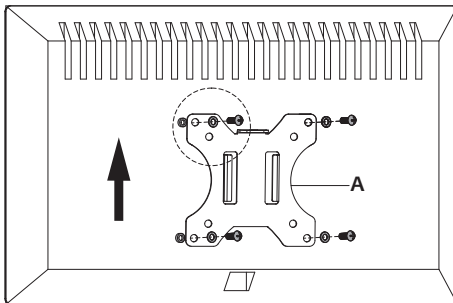
For flat back monitor, secure VESA plate (A) to monitor using screws (M-A or M-C) and washers (M-E). Tighten the screws using 6mm Allen key (L).



CAUTION: To select the correct screws (M-A or M-C) for your monitor, you can try to screw it on your monitor by hand. The one can screw inside is the correct screw for your monitor.

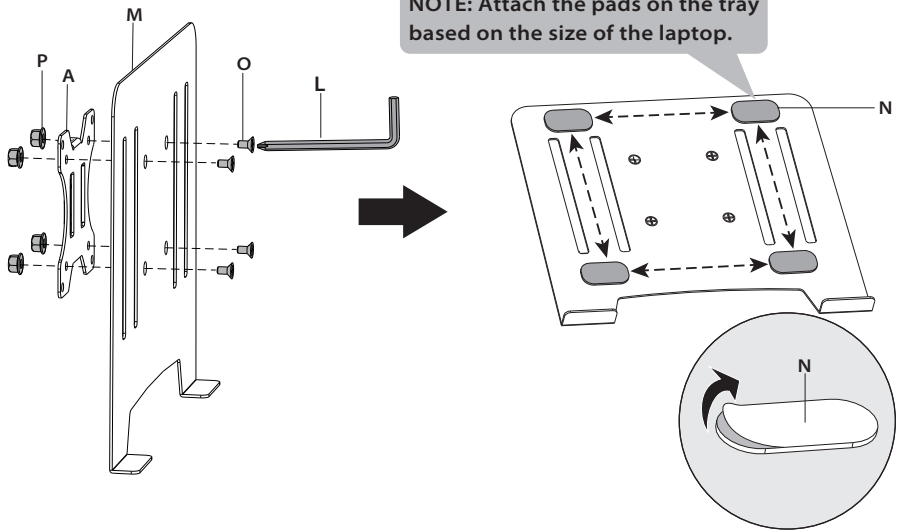
OPTION B: Curved Back Monitor

For monitor with curved or recessed back, align spacers (M-F) with mounting holes in monitor, and secure VESA plate (A) to monitor using screws (M-B or M-D) and washers (M-E). Tighten the screws using 6mm Allen key (L).



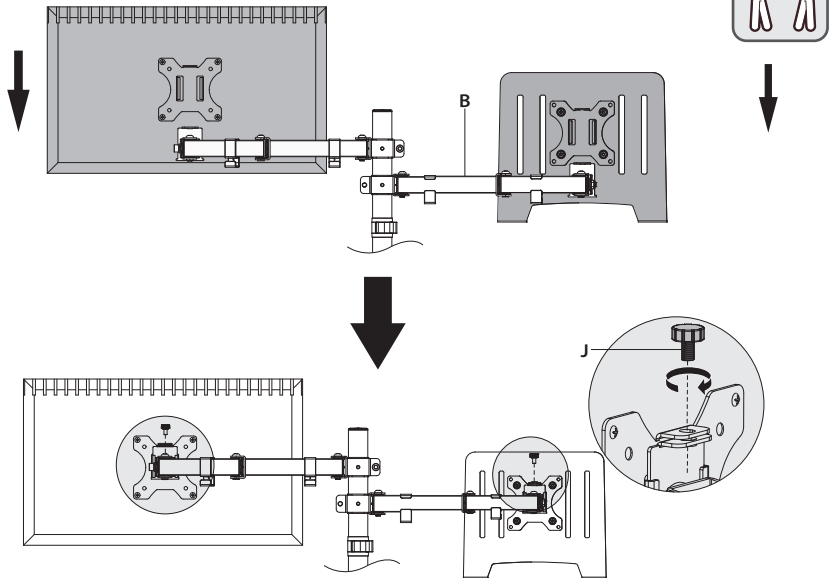
3-2: Attach Laptop Tray

Install the VESA plate (A) to the laptop tray (M) using 4pcs screws (O) and 4pcs nuts (P), tighten by 6mm Allen key (L). Apply pads (N) to the laptop tray to avoid laptop scratches.

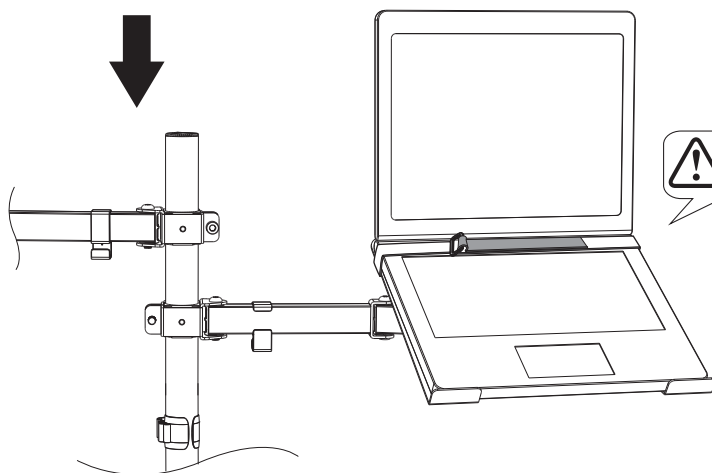
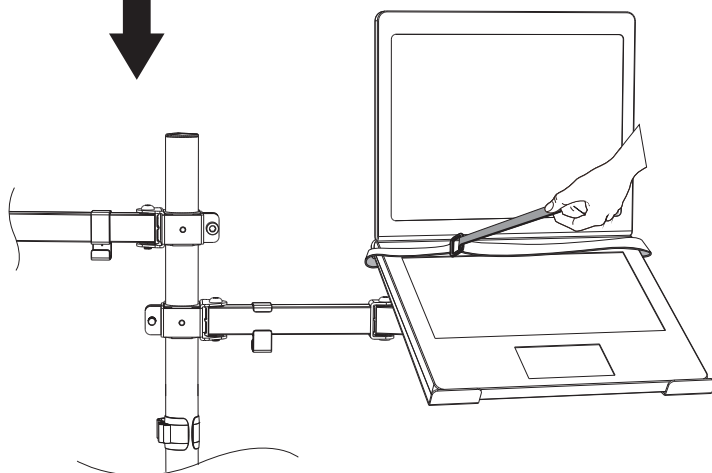
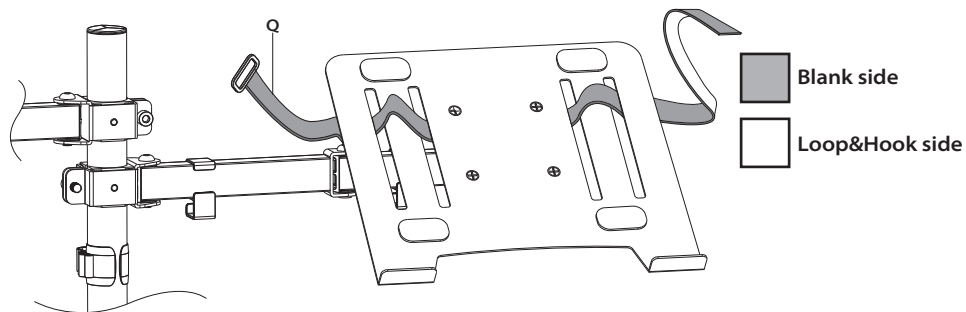



STEP 4 : Hang Monitor and Laptop Tray

Slide the monitor and laptop tray onto the head of swivel arm (B). Install the security bolt (J). Make sure the security bolt is installed before you rotate the monitor.



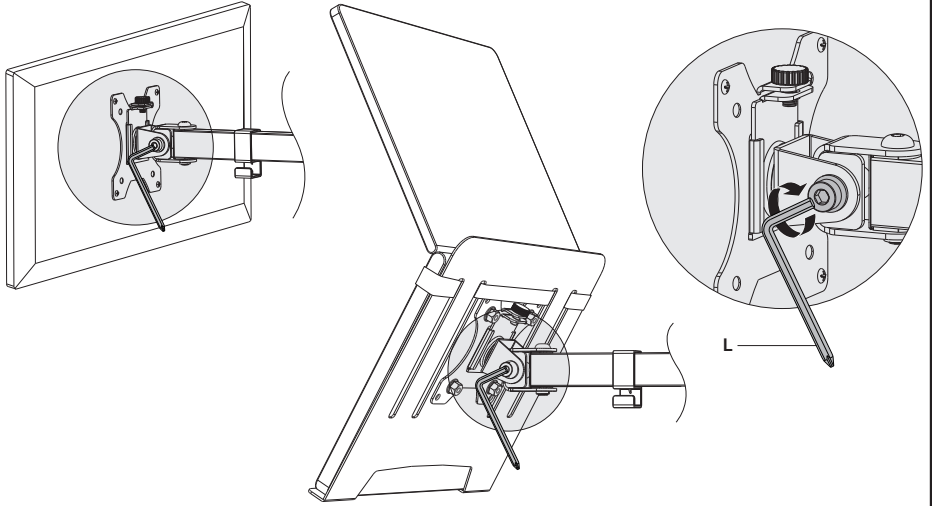
STEP 5 : Secure the Laptop on the Laptop tray



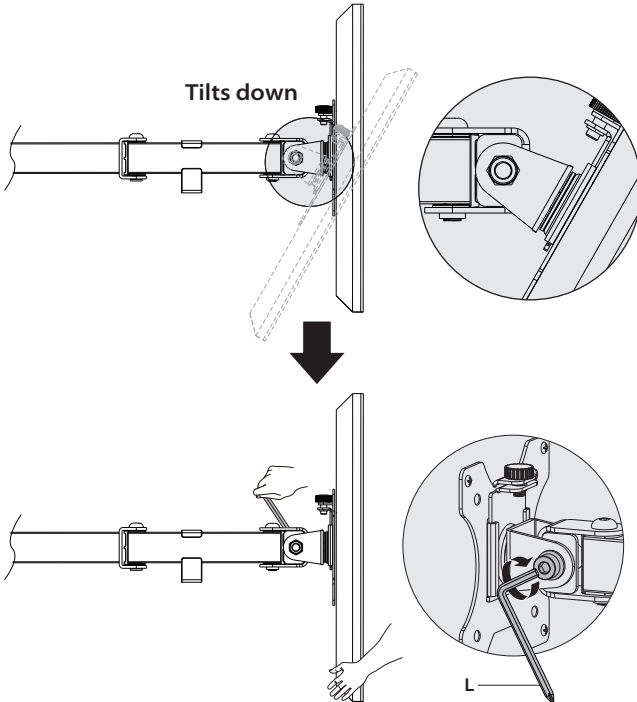
 **Untie the strap before you cover the laptop.**

STEP 6: Tilt Adjustment

Tighten the bolt with the supplied 6mm Allen key (L) to fix the tilt angle.



 **Guideline to adjust monitor tilting angle.**

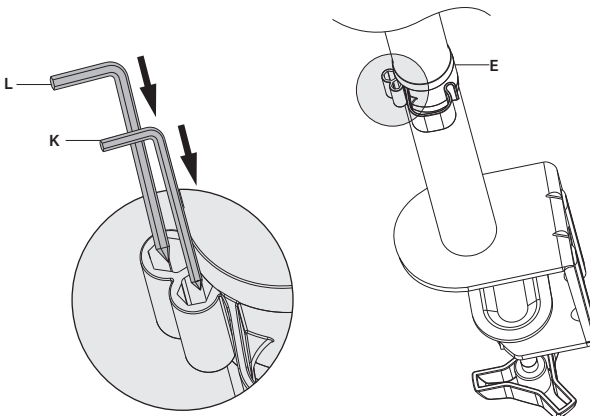
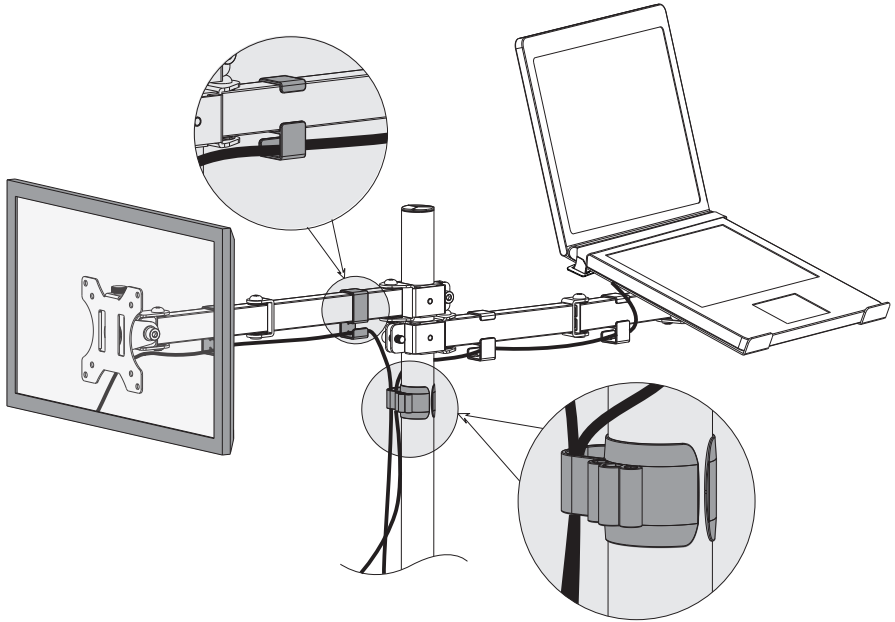


Note:

1. Loosen the tilting bolt.
2. Adjust monitor to your desired tilting angle.
3. Retighten the tilting bolt to fix the tilting angle.

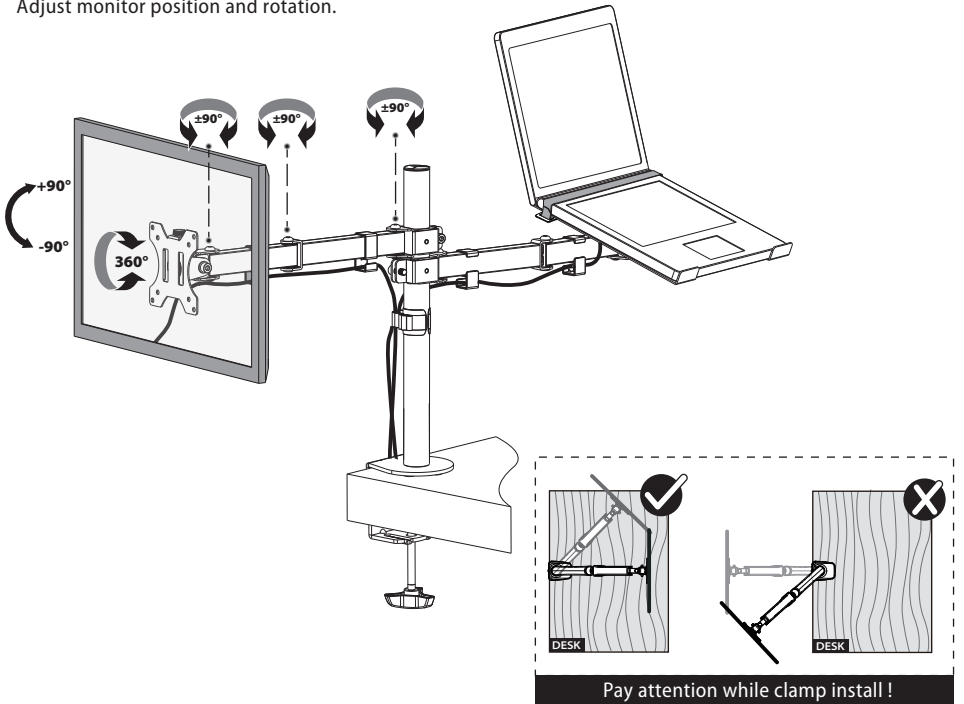
STEP 7: Cable Management

Manage cables and store Allen keys (K,L) in wire clip (E) for future use.



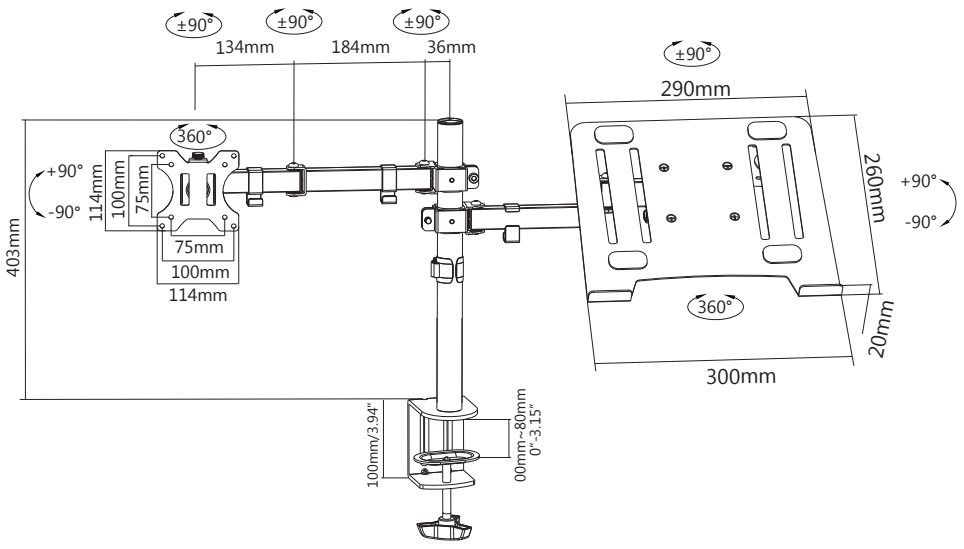
Adjust as Desired

Adjust monitor position and rotation.



Pay attention while clamp install !

Product Dimensions





CAUTION AND MAINTENANCE:

- Never allow children to climb, stand, hang, or play on any part of monitor or stand.
- This product is intended for indoor use only. Using this product outdoors could lead to product failure and personal injury.
- Check that the bracket is secure and safe to use at regular intervals (at least every three months).

MOUNTUP

If you have any questions, please contact us.