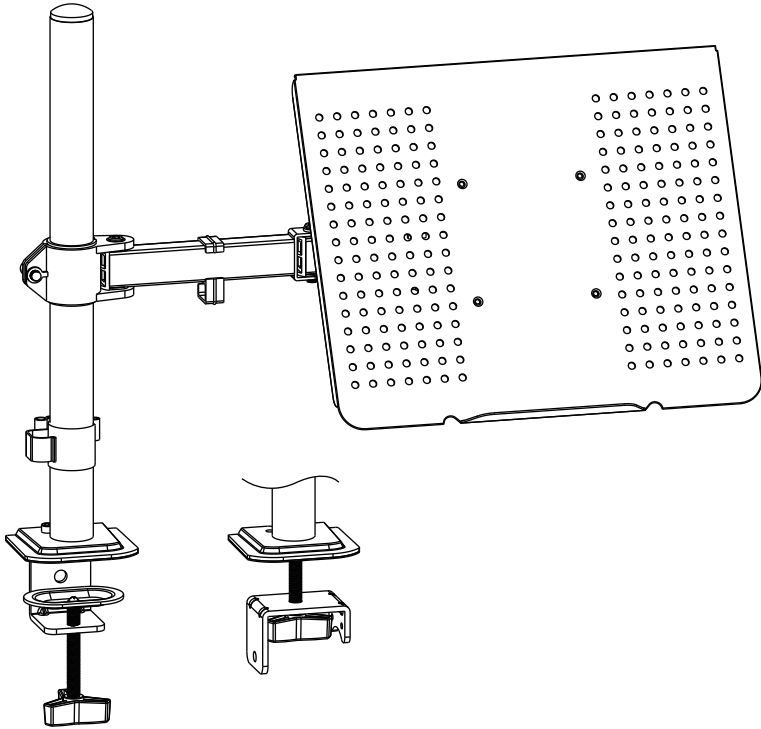


---

# Monitor and Laptop Mount

## Instruction Manual

---



**MAX** Monitor: 32"  
Laptop: 17"

**VESA**  
Compatible 75×75mm  
100×100mm

**RATED** 9 kg  
19.8 lbs

MM09N-US2.0

---

If you have any questions, please feel free to contact us via Amazon.

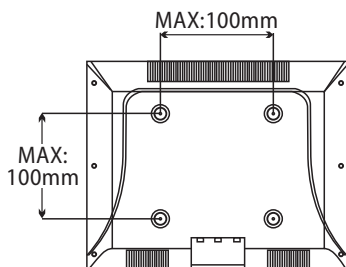
## **WARNING!**

Improper installation may cause damage or serious injury. Do not use this product for any purpose that is not explicitly specified in this manual. We cannot be liable for damage or injury caused by improper mounting, incorrect assembly or inappropriate use.

This product contains small items that could be a choking hazard if swallowed. NOT FOR CHILDREN UNDER 3 YEARS. ADULT SUPERVISION IS REQUIRED.

### **Must Check Before Installation**

- 1.** Is your monitor VESA 75×75mm/3x3" or 100×100mm/4x4"?



**Yes — Perfect!**

**No — This mount is NOT compatible.**

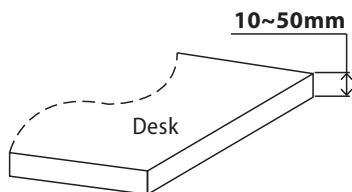
- 2.** Is the weight of your monitor or laptop (including accessories) less than 9kg (19.8lbs)?



**Yes — Perfect!**

**No — This mount is NOT compatible.**

- 3.** Is your desk thickness 10~50mm (0.39~1.97")?



**Yes — Perfect!**

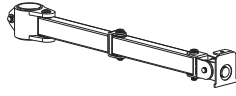
**No — This mount is NOT compatible.**

If this mount is NOT compatible, please contact our customer service to find a compatible mount.

# Supplied Parts List



**a (x1)**  
Pole



**b (x1)**  
Swivel Arm



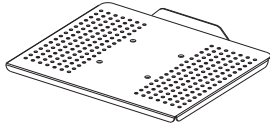
**c (x1)**  
VESA Plate



**d (x1)**  
Clamp



**e (x1)**  
Pad



**f (x1)**  
Laptop Tray

All are included in d

d1 Bracket	d2 Bolt Y	d3 Bolt	d4 Clip Plate



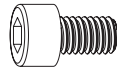
**A1 (x4)**  
Bolt M4x12mm



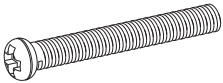
**A2 (x4)**  
M4 Nut



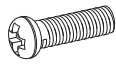
**A3 (x1)**  
Bolt M6



**B (x2)**  
Bolt M6x8mm



**C (x4)**  
Bolt M4x30mm



**D (x4)**  
Bolt M4x12mm



**E (x4)**  
Spacer L10mm



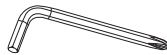
**F1 (x1)**  
Wire Clip



**F2 (x2)**  
Wire Clip



**G (x1)**  
6mm Allen Key



**G (x1)**  
5mm Allen Key



**G (x1)**  
3mm Allen Key

**NOTE:** Not all hardware included will be used.

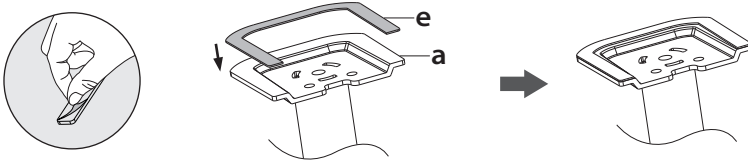
# ASSEMBLY STEPS

## Warm Tips

You could also refer to the Video Guide about installation on our product page.

## STEP 1: Apply Pad to the Pole Bottom

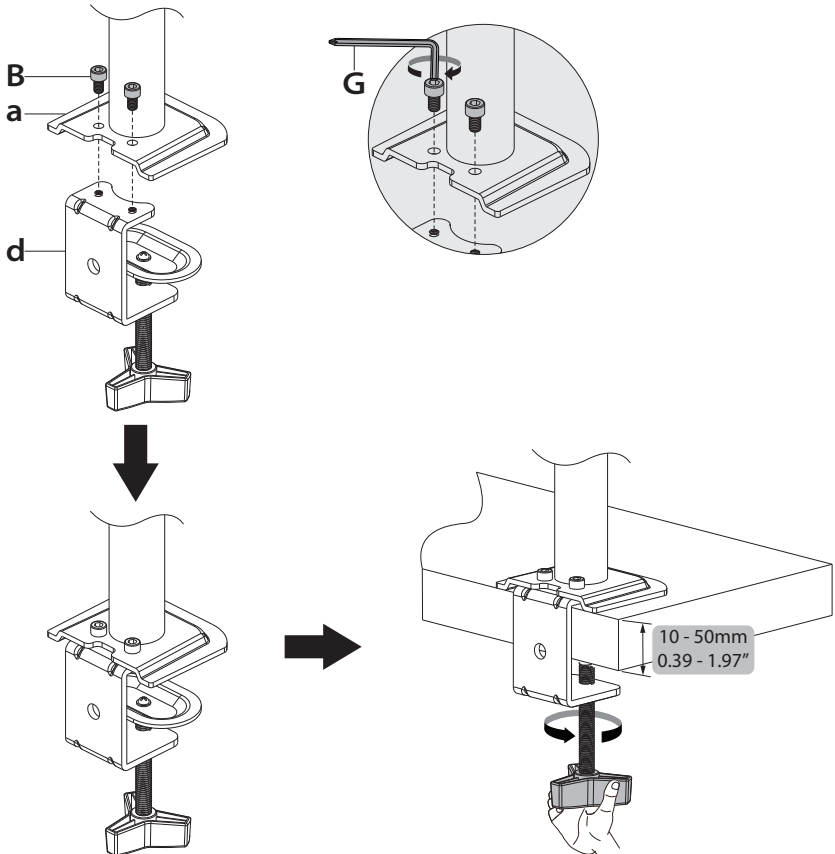
Apply pad (e) to the Pole (a) bottom to avoid desk scratches.



## STEP 2: Clamp Installation OR Grommet Base Installation

### OPTION A: Clamp Installation

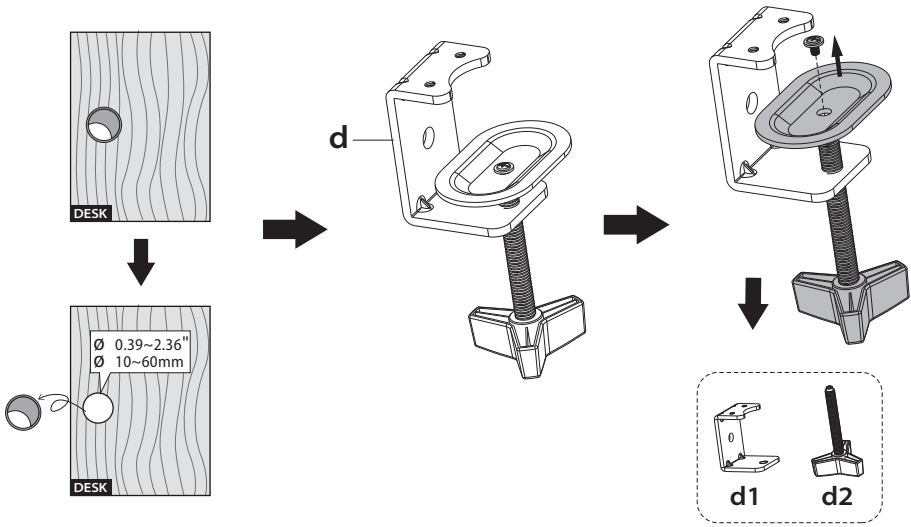
1. Mount Clamp (d) to the bottom of Pole (a) by tightening bolts (B) with 5mm Allen Key (G).
2. Adjust the Clamp width to fit your desk. Secure stand to the desktop by tightening Clamp (d).



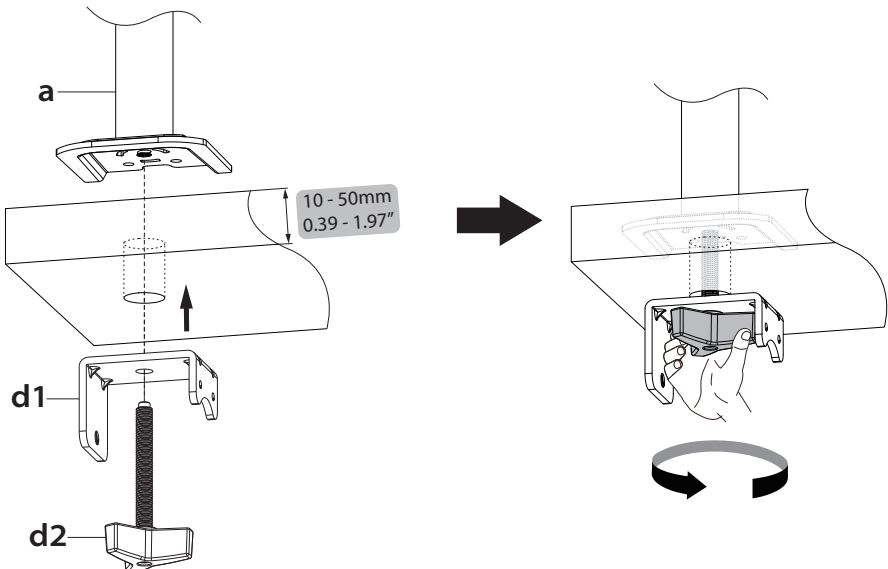
## STEP 2: (Continued)

### OPTION B: Grommet Base Installation

1. If existing grommet hole comes with a plastic protector, remove it to ensure a flat surface before installing the desk mount.
2. Detach Bracket (d1) and Bolt Y (d2) from Clamp (d).

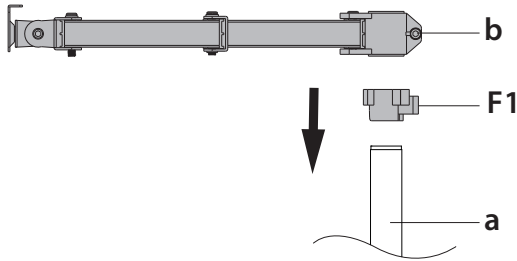


3. Position pole (a) on the mounting surface and then secure it by tightening the plastic knob after making Bolt Y (d2) through the Bracket (d1), desk hole, and the bottom of Pole (a) sequentially.



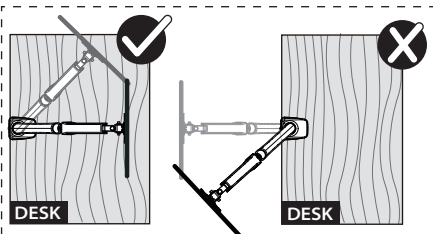
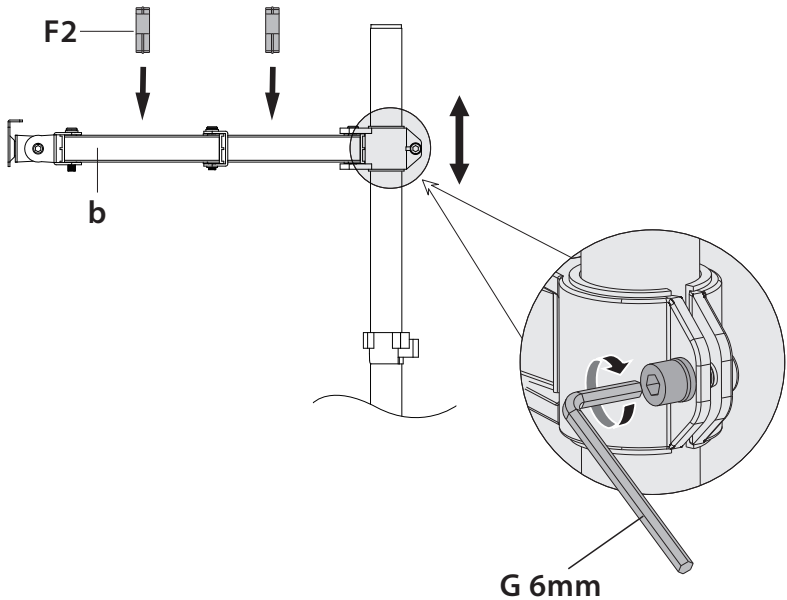
## STEP 3: Install Arm to the Pole

1. Install Wire Clip (F1) and Swivel Arm (b) to the Pole (a).



2. Fasten the bolt with supplied Allen Key (G 6mm).

3. Attach the Wire Clip (F2) to the Swivel Arm (b).

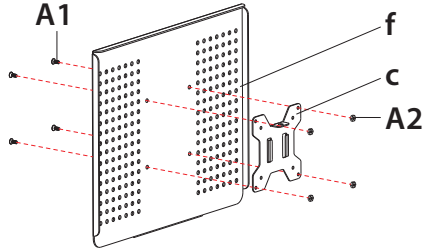


Please do not move stand outside desk for safety!

# STEP 4: Attach the VESA Plate to the Laptop Tray or Monitor

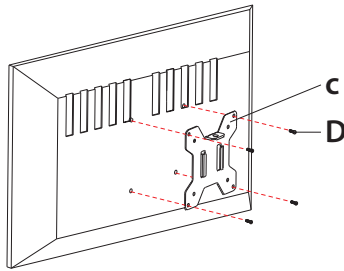
## For Laptop

Attach the VESA plate (c) to the laptop tray (f) with screws (A1) and nuts (A2).



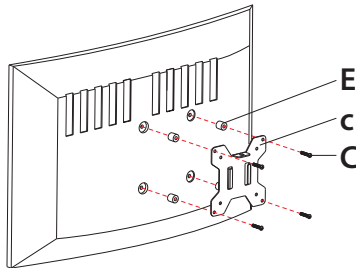
## For Flat Back Monitor

Attach the VESA plate (c) to the monitor with M4×12 bolts (D).

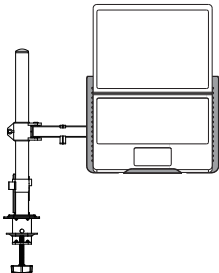


## For Curved Back Monitor

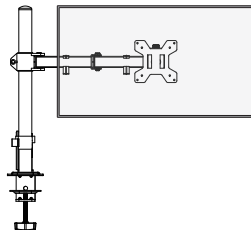
Attach the VESA plate (c) to the monitor with M4×30 bolts (C) and M4 spacers (E).



## Option A: Laptop

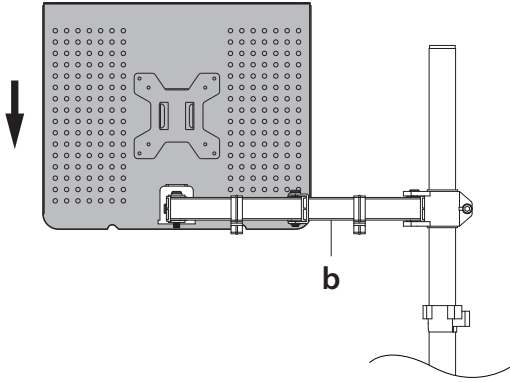


## Option B: Monitor

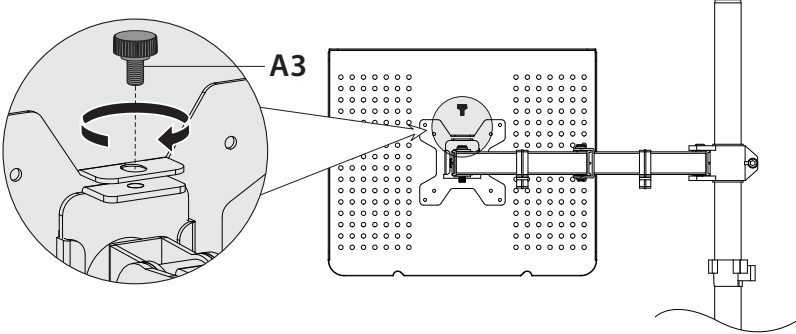


# STEP 5: Hang Laptop Tray

Slide the laptop tray onto the head of Swivel Arm (b) as shown in diagram.



Install the security Bolt (A3). Make sure the security Bolt (A3) is installed before you rotate the laptop tray.

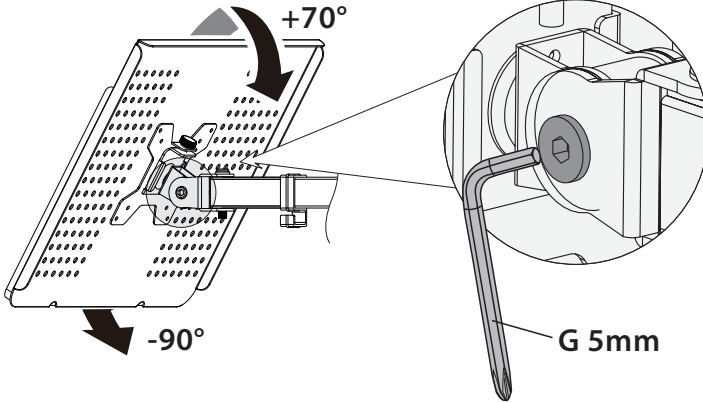




## STEP 6: Make the Necessary Adjustments

### Fix the tilt angle

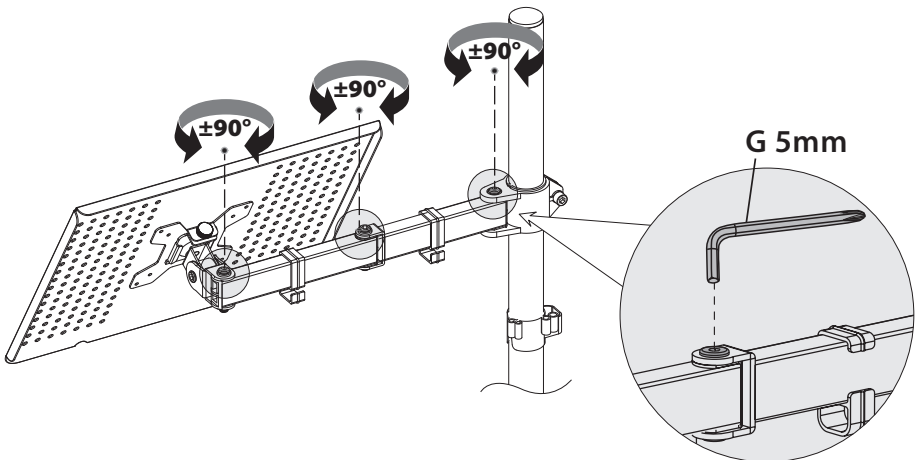
Tighten the bolt with the supplied Allen Key (G 5mm) to fix the tilt angle.



**Note:** When tilted, if the monitor sags or does not stay, and if the above method is useless, please feel free to contact our customer service.

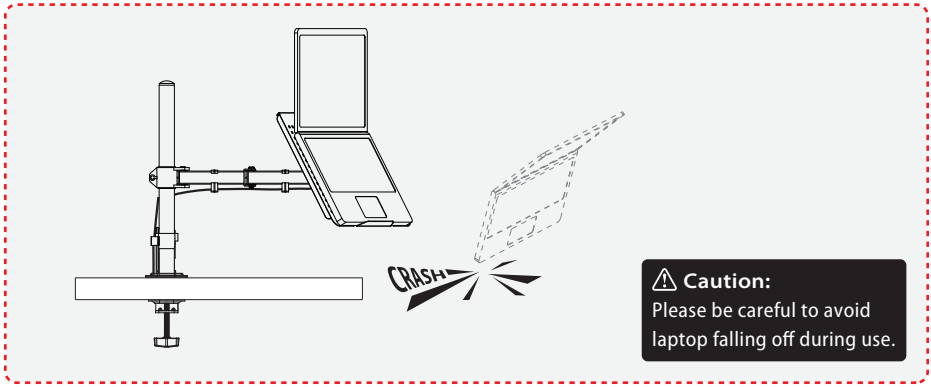
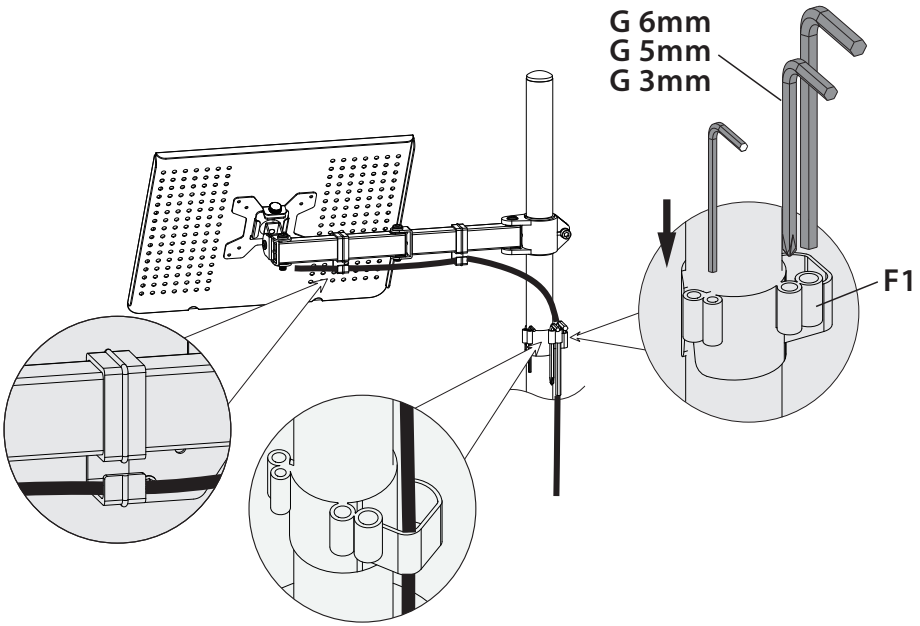
### Fix the swivel angle

Use the supplied Allen Key (G 5mm) to make the necessary adjustments. Ignore this step if the arm joint has screwed to the proper tightness.

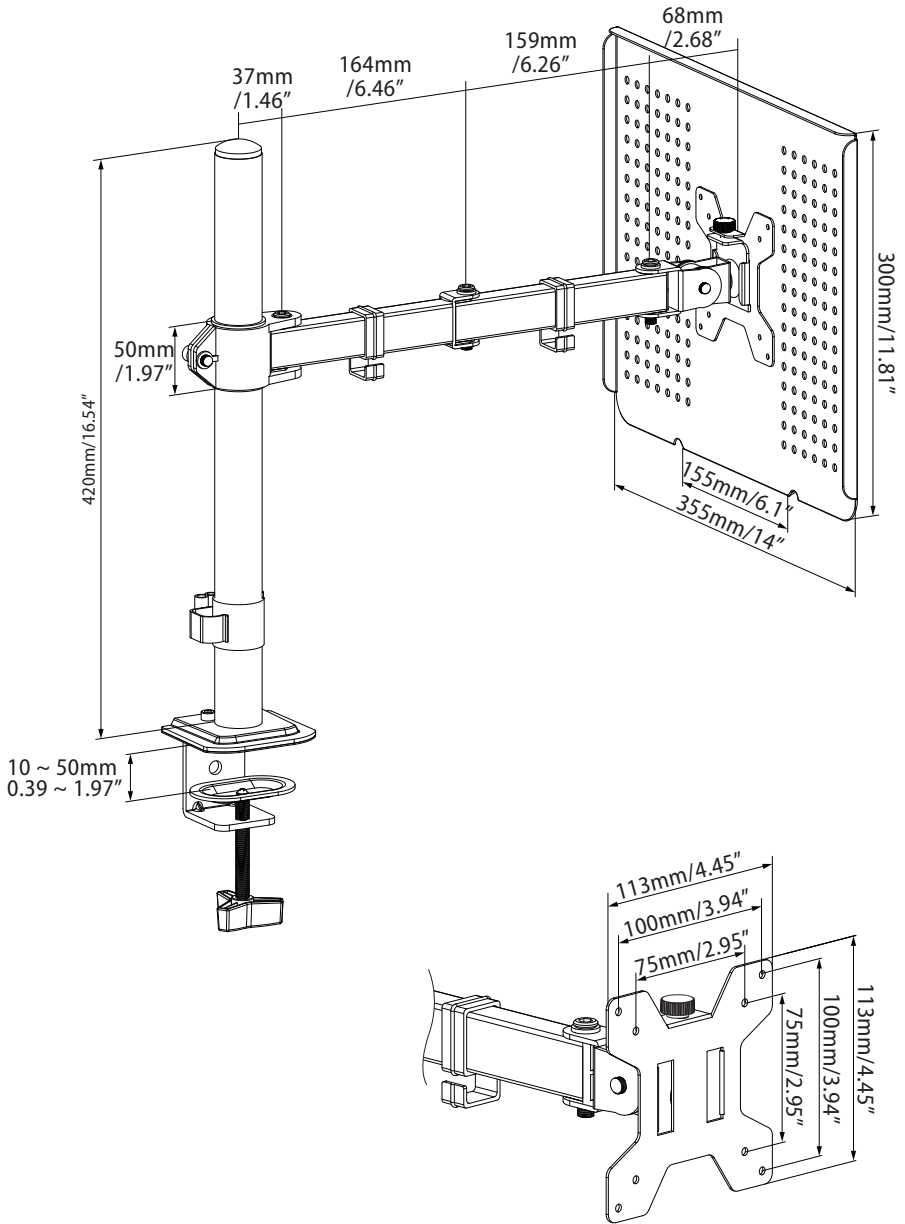


# STEP 7: Cable Management

Manage the wires and store the Allen keys (G 6mm, 5mm, 3mm) in Wire Clip (F1) for future use.



# Product Dimensions





## **CAUTION AND MAINTENANCE:**

- Never allow children to climb, stand, hang, or play on any part of monitor or stand.
- This product is intended for indoor use only. Using this product outdoors could lead to product failure and personal injury.
- Check that the bracket is secure and safe to use at regular intervals (at least every three months).