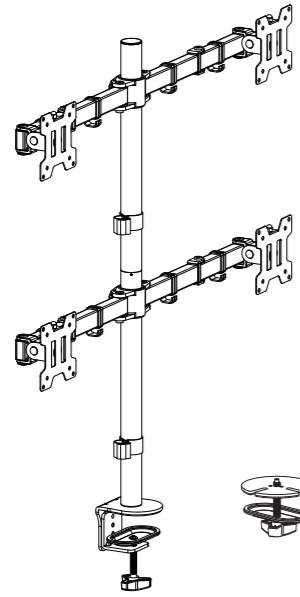
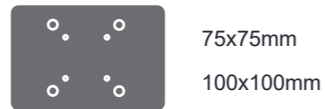


# INSTALLATION INSTRUCTION



Max:  
17.6LBS  
(8KG)  
Each Monitor



DA-4L

If you have any questions, please feel free to contact Customer Service via Amazon before returning.

## Safety Caution

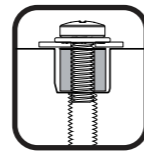
Please read this instruction carefully before installation. If you do not understand these instructions or have doubts about the safety of the installation, assembly or use of this product, please contact us.

**WARNING:** This product contains small items that could be a choking hazard if swallowed. KEEP AWAY FROM CHILDREN UNDER 3 YEARS OLD. ADULT SUPERVISION IS REQUIRED.

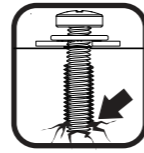
## Before Starting Assembly

When attaching brackets to the flat screen, be careful not to over tighten screws and be sure that screws do not bottom out in the mounting holes.

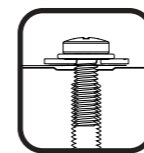
Before starting assembly, verify all parts are included and undamaged. For parts shortage or damage, please contact us.



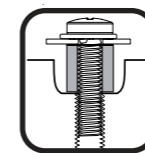
Too Short



Too Long



Correct



Correct



Do not tighten the screws excessively or your monitor might be damaged.

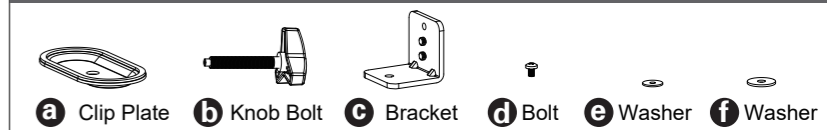
## Hardware Included

### Clamp Bracket



01A x1

### All are included in 01A



### L Plate



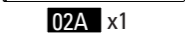
01B x1

### Round Plate



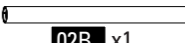
01C x1

### Upper Pole



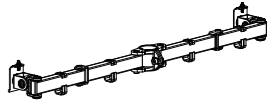
02A x1

### Lower Pole



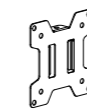
02B x1

### Arm



03 x2

### VESA Plate



04 x4

### 2mm Allen key



05A x1

### 3mm Allen key



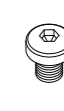
05B x1

### 5mm Allen key



05C x1

### Screw M8\*10mm



06 x2

### Cable Clip



07A x2

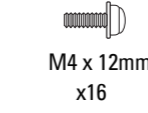
### Cable Clip



07B x8

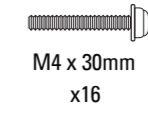
### Monitor Kit

#### Philips Screws



M4 x 12mm x16  
M-A

#### Philips Screws



M4 x 30mm x16  
M-B

#### Cap Nut



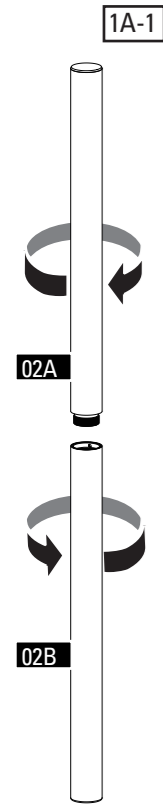
x4  
M-C

#### Spacers

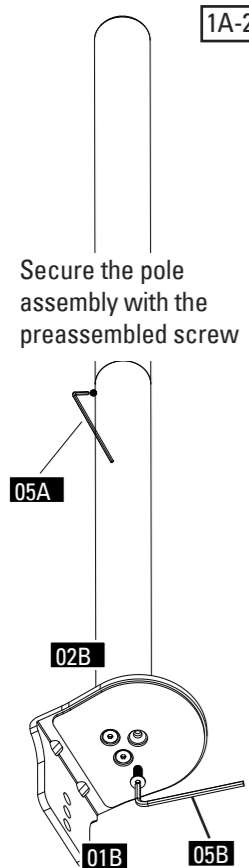


L10mm x32  
M-D

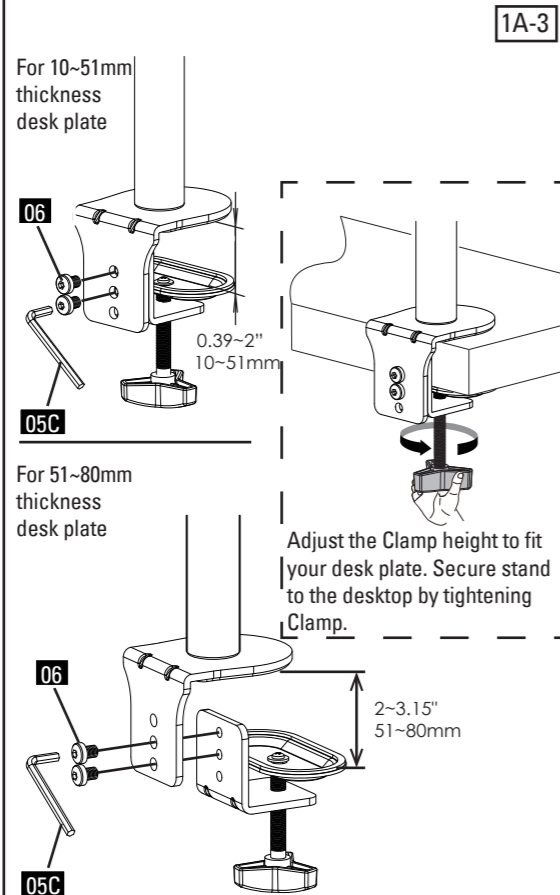
## Step 1A Clamp Installation



Assemble the upper pole 02A and the lower pole 02B together

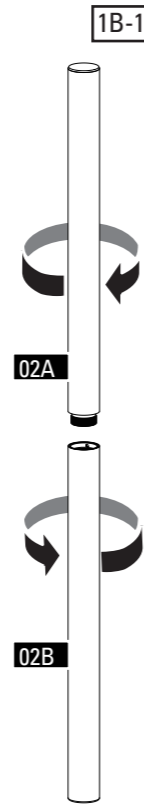


Secure the pole assembly with the preassembled screw 05A. Secure the L plate 01B to the lower pole 02B with the preassembled screws.

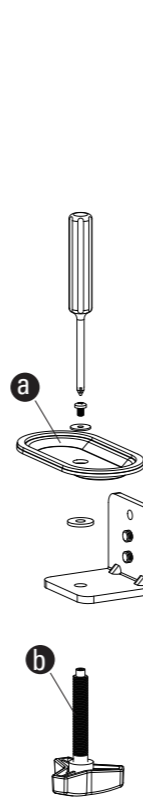


Secure the clamp bracket to the L plate with the screws 06. Adjust the Clamp height to fit your desk plate. Secure stand to the desktop by tightening Clamp.

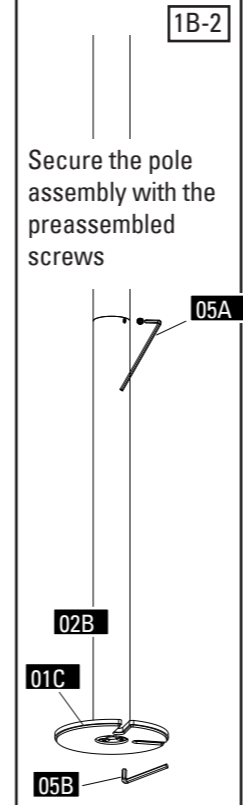
## Step 1B Grommet Base Installation



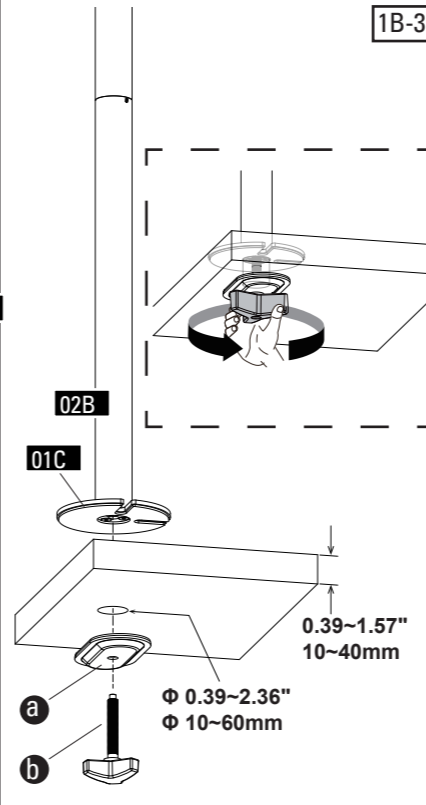
Assemble the upper pole 02A and the lower pole 02B together.



Dis-assemble the clamp bracket. the marked parts a and b will be used in next step.



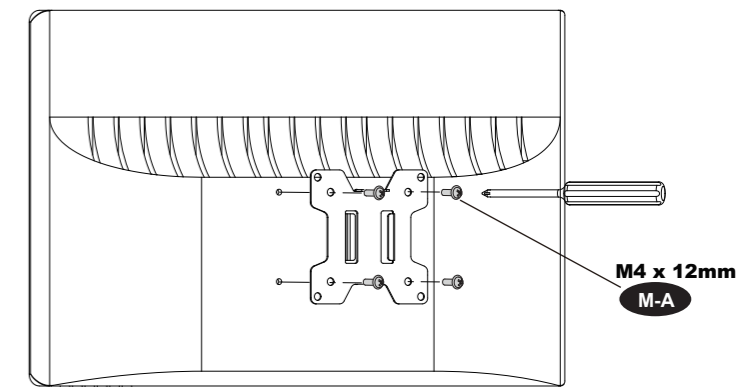
Secure the pole assembly with the preassembled screws. Assemble the round plate 01C to the lower pole 02B with the preassembled screws.



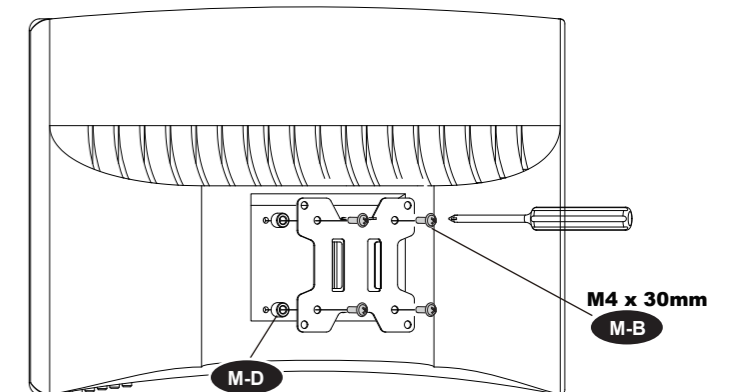
Position pole assembly on the desk then secure it by tightening the knob bolt b after making knob bolt b through the Long plate a, desk hole, and the bottom of pole assembly sequentially.

## Step 2 Attach the VESA plates to the monitors

### (a) For Flat Back



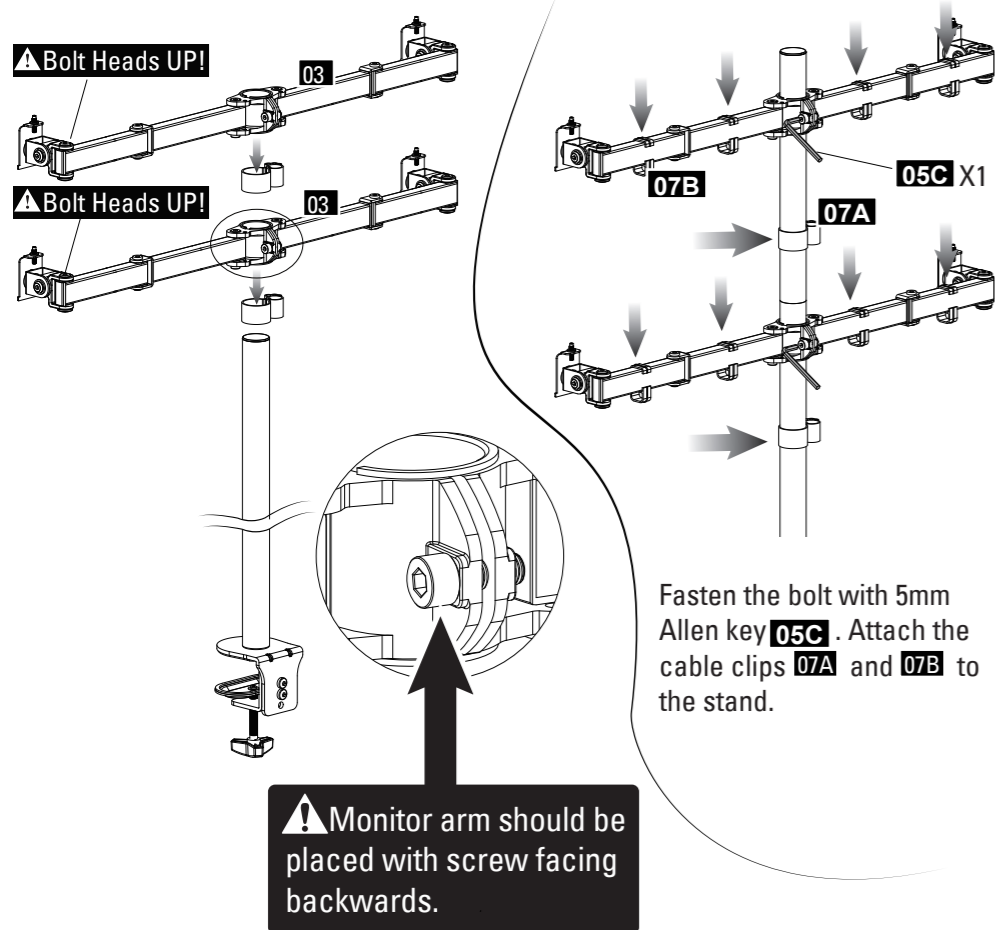
### (b) For Recessed / Curved Back



Note: use 1 piece or 2 pieces of spacers M-D

### Step 3 Assemble the stand

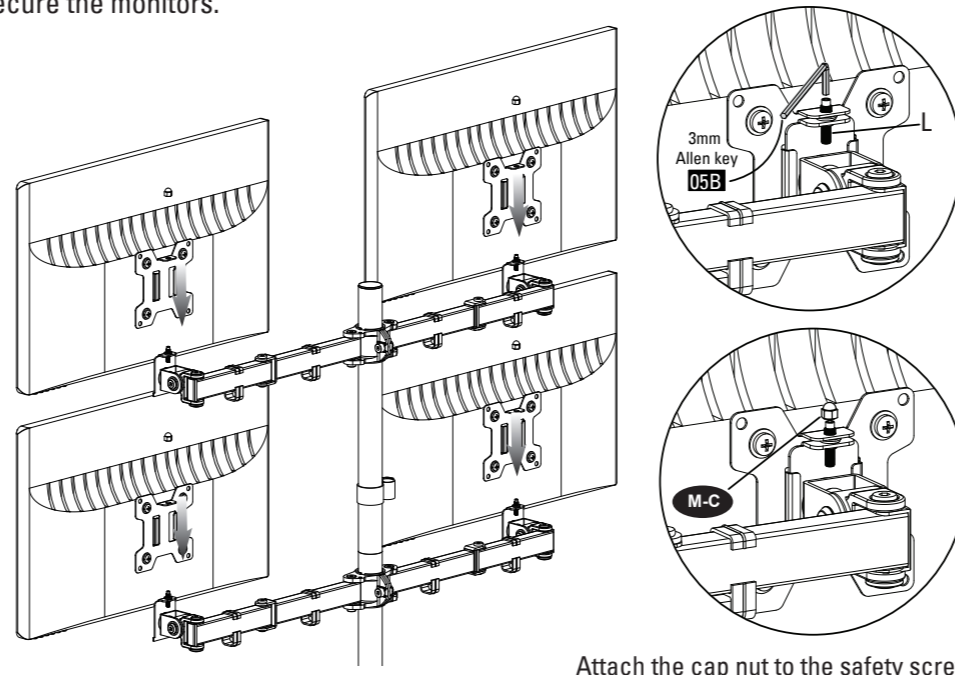
Assemble the monitor arms **03** and the pole together.



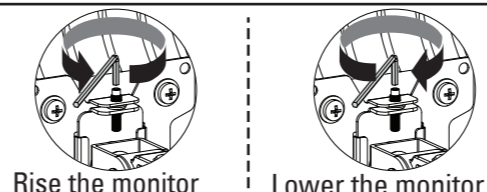
Fasten the bolt with 5mm Allen key **05C**. Attach the cable clips **07A** and **07B** to the stand.

### Step 4 Attach the monitors to the stand

Hang the monitor onto the arm then using the safety screws L/ cap nuts **M-C** to secure the monitors.

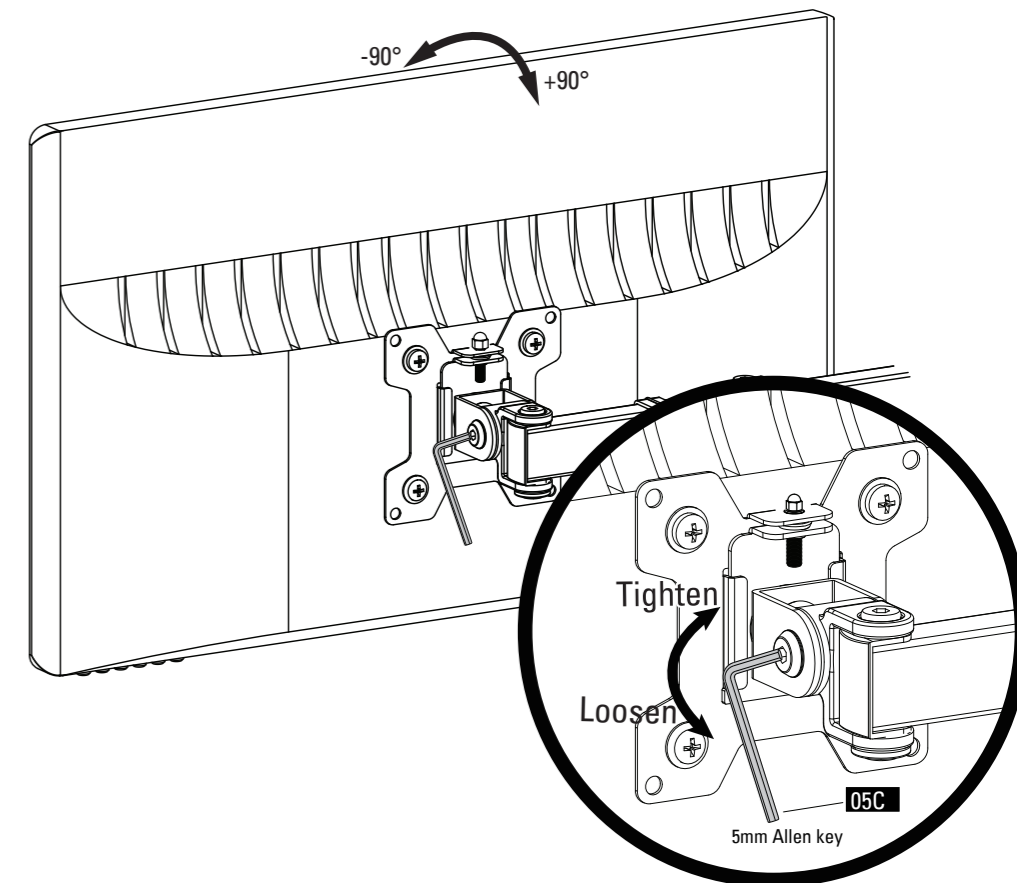


Hang the monitors onto the monitor arm **03** then using the 3mm Allen key **05B** to turn the screws L to adjust the monitors to the same level if necessary.



**WARNING:**  
Hang 2 monitors onto the same arm at the same time to prevent the stand falling.

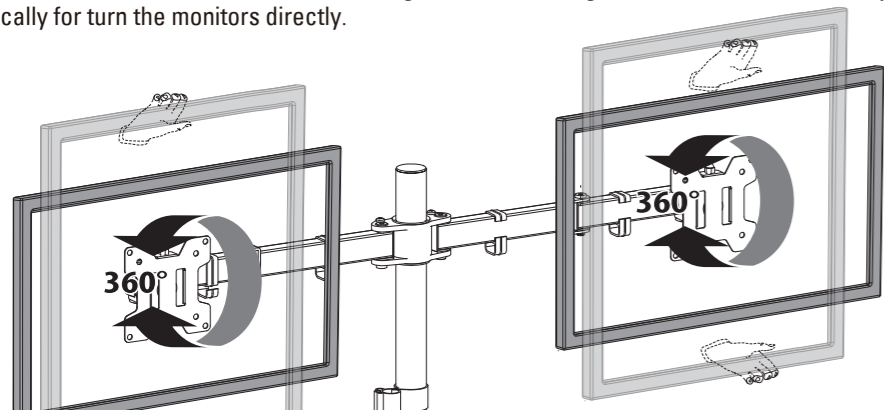
### Step 5 Tilting Adjustment



Loosen tilting bolts, pull monitor to your desired angle, then fasten tilting bolts with the 5mm Allen key.

### Step 6 Switch screen horizontally and vertically

If needed, the monitor can be rotated  $\pm 90$  degrees for switching screen between horizontally and vertically for turn the monitors directly.

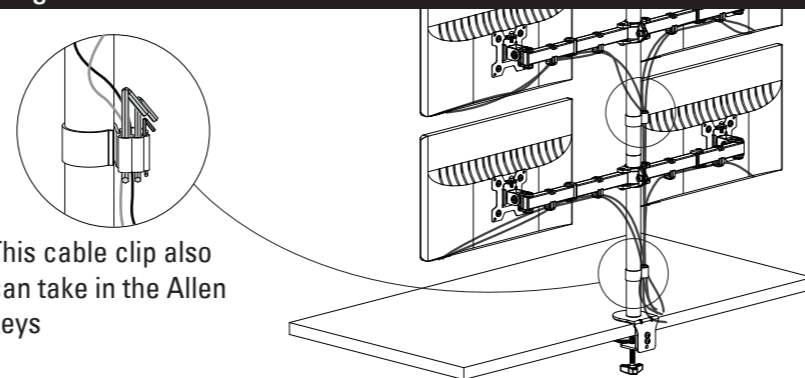


**360° Rotation**  
This function works better for monitors with the center of gravity.

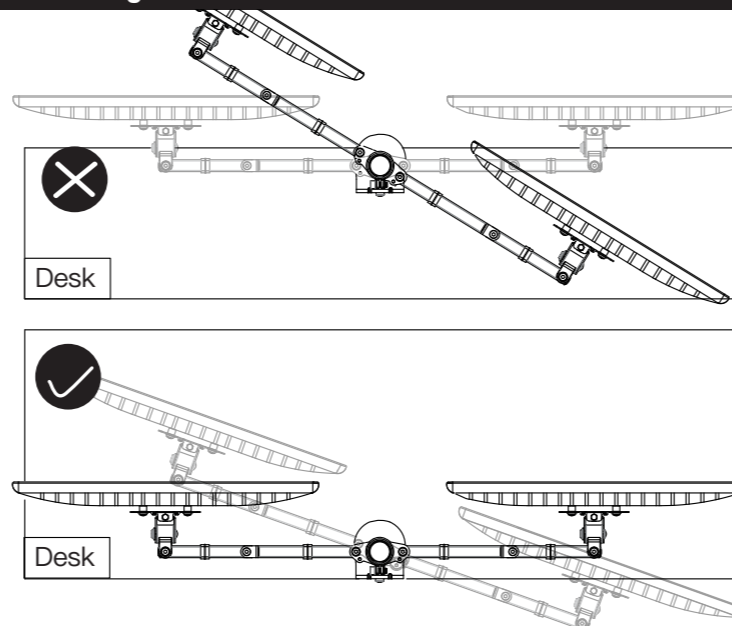
**Note:** To ensure stability, the tightness of the rotation axis is preset, so it need take some effort to rotate the VESA Plate.

**Suggestion:** Please attach the monitor first, then hold the two sides of it with both hands, and rotate vigorously. If that doesn't work out, please do not hesitate to ask for our help via Amazon.

### Manage tools and cables



### Set the desired angle of the monitors



### Product dimensions

