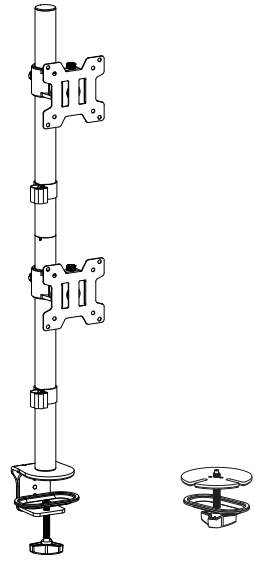
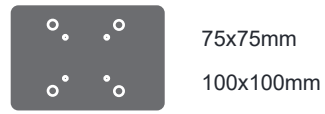


INSTALLATION INSTRUCTION



Max:
17.6LBS
(8KG)
Each Monitor



DA-0L

If you have any questions, please feel free to contact Customer Service via Amazon before returning.

Safety Caution

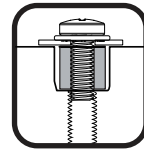
Please read this instruction carefully before installation. If you do not understand these instructions or have doubts about the safety of the installation, assembly or use of this product, please contact us.

WARNING: This product contains small items that could be a choking hazard if swallowed. KEEP AWAY FROM CHILDREN UNDER 3 YEARS OLD. ADULT SUPERVISION IS REQUIRED.

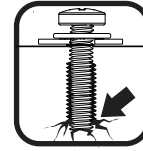
Before Starting Assembly

When attaching brackets to the flat screen, be careful not to over tighten screws and be sure that screws do not bottom out in the mounting holes.

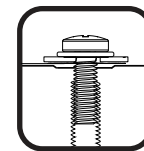
Before starting assembly, verify all parts are included and undamaged. For parts shortage or damage, please contact us.



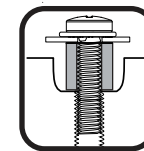
Too Short
⊗



Too Long
⊗



Correct
⊙

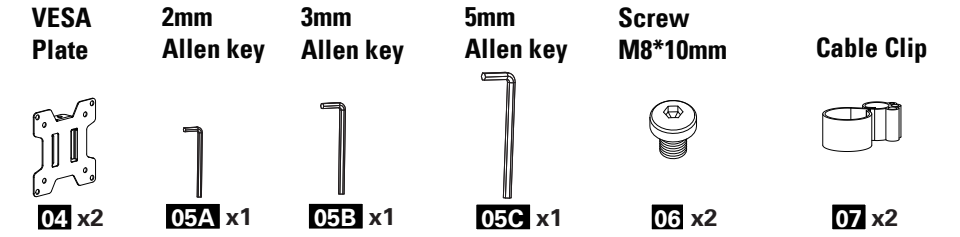
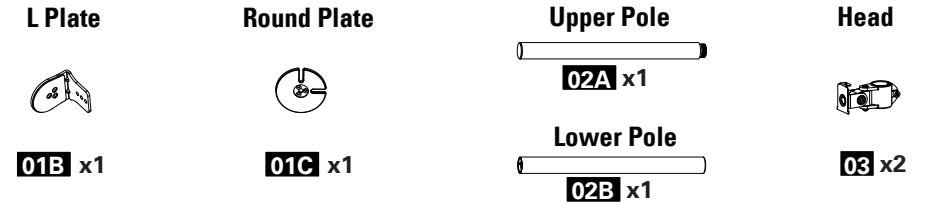
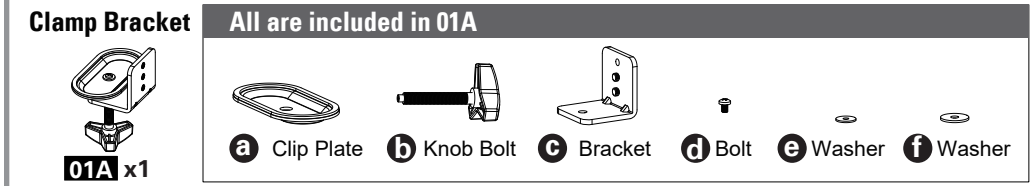


Correct
⊙



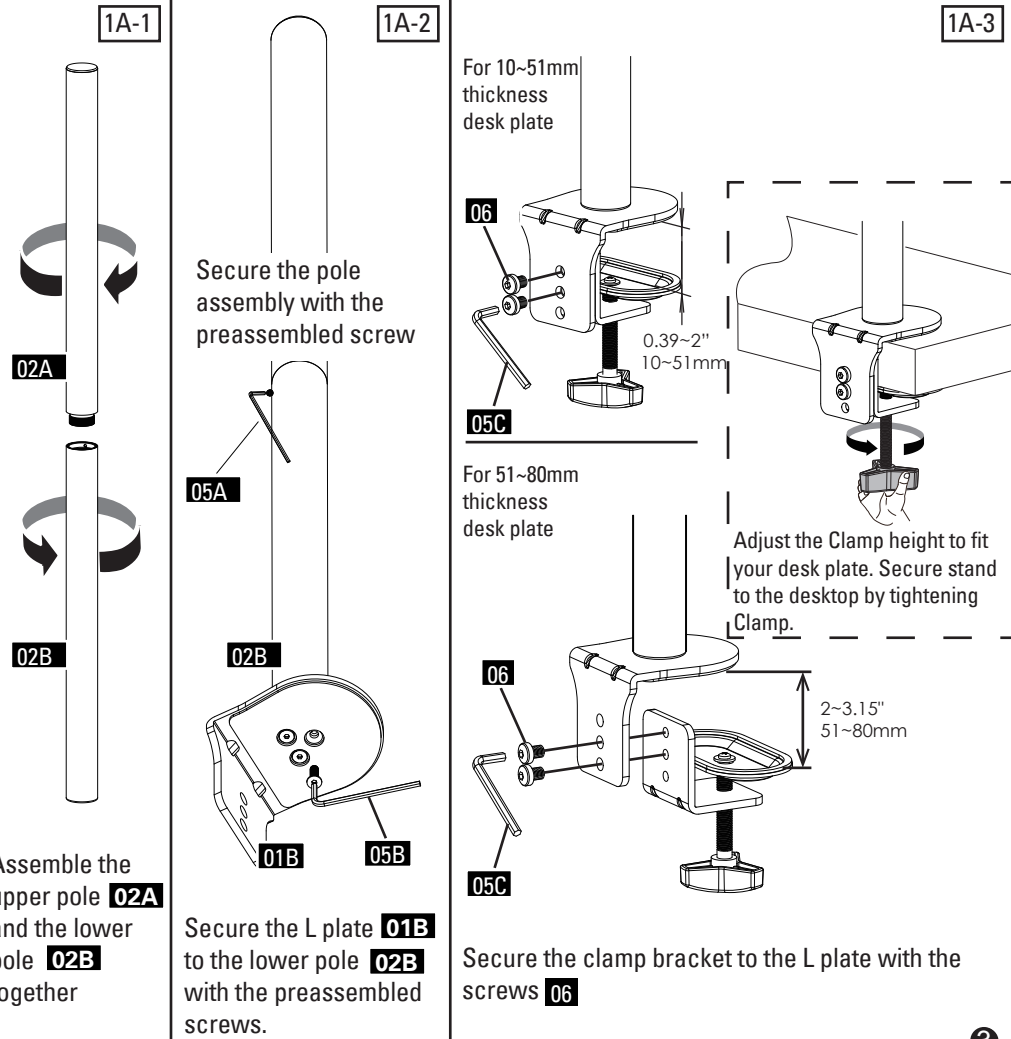
Do not tighten the screws excessively or your monitor might be damaged.

Hardware Included

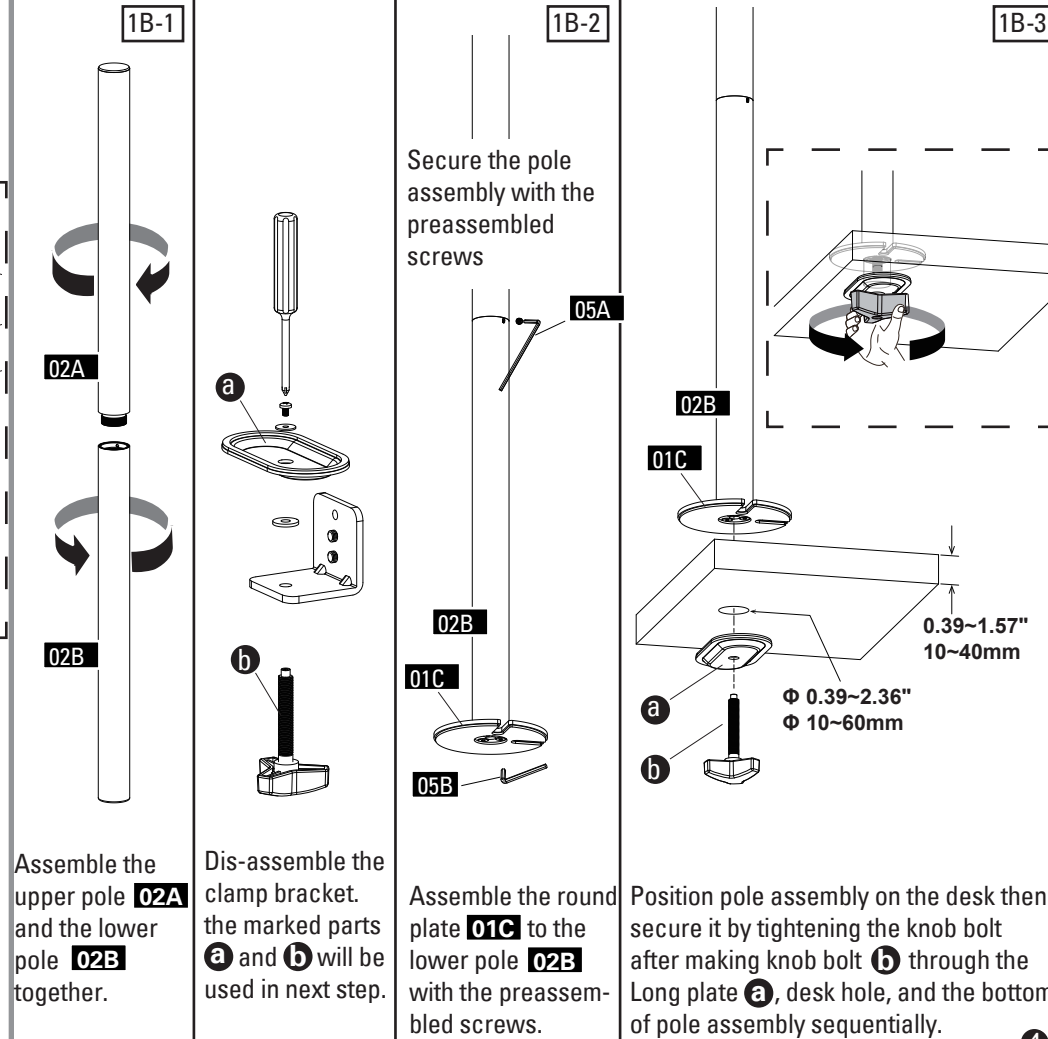


Monitor Kit	Philips Screws	Philips Screws	Safety Screw	Spacers
	M4 x 12mm x8 M-A	M4 x 30mm x8 M-B	M5 x 12mm x2 M-C	L10mm x16 M-D

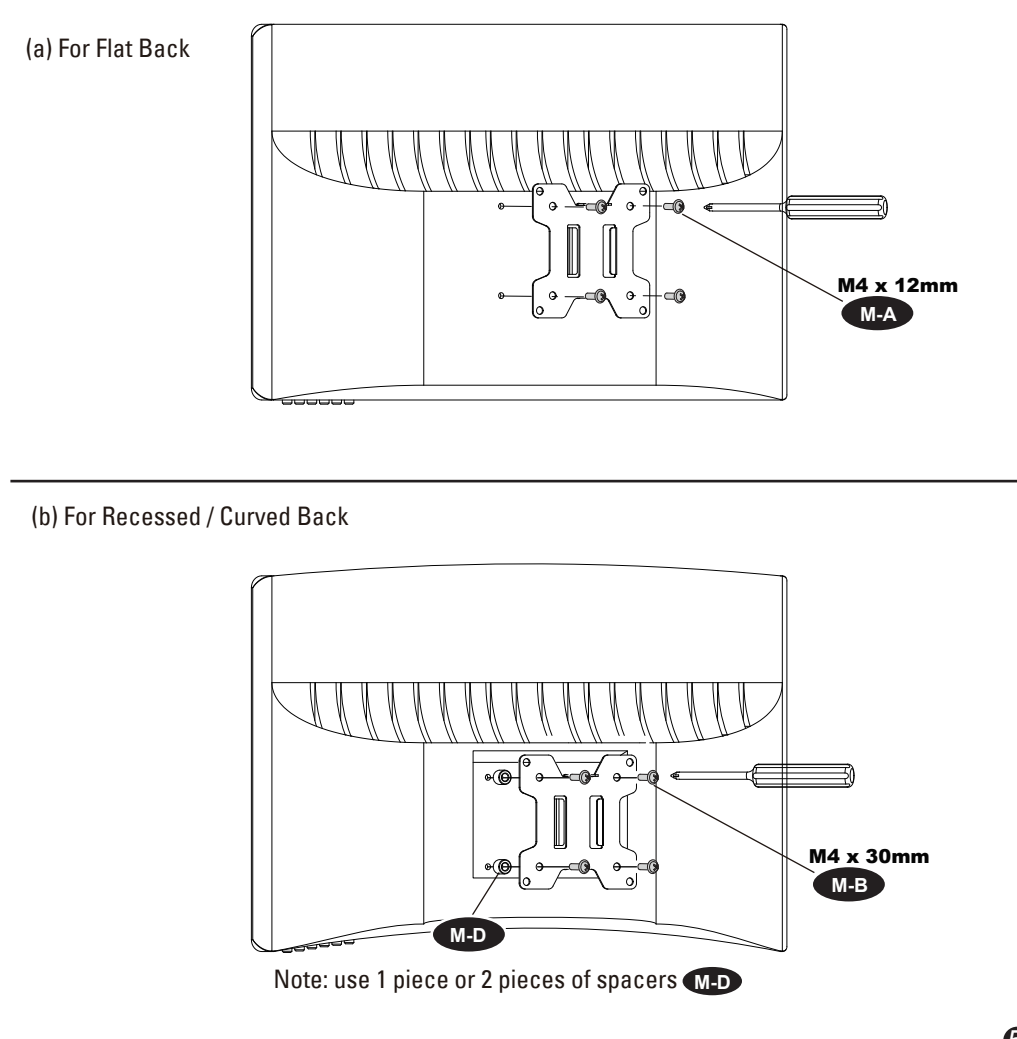
Step 1A Clamp Installation



Step 1B Grommet Base Installation



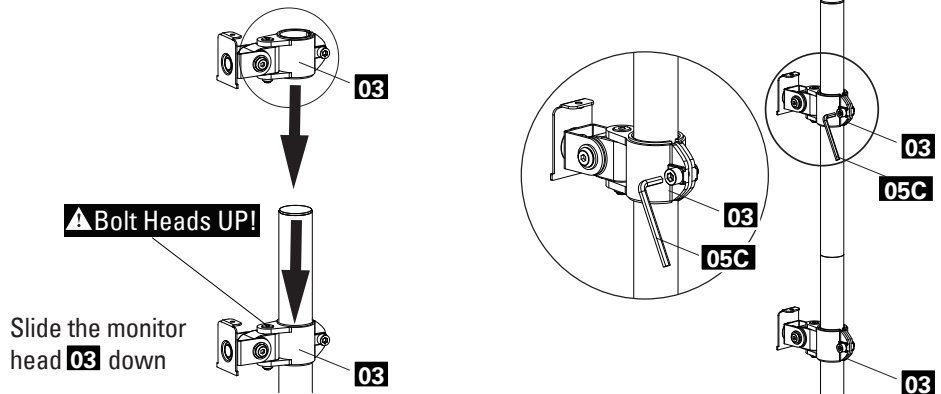
Step 2 Attach the VESA plates to the monitors



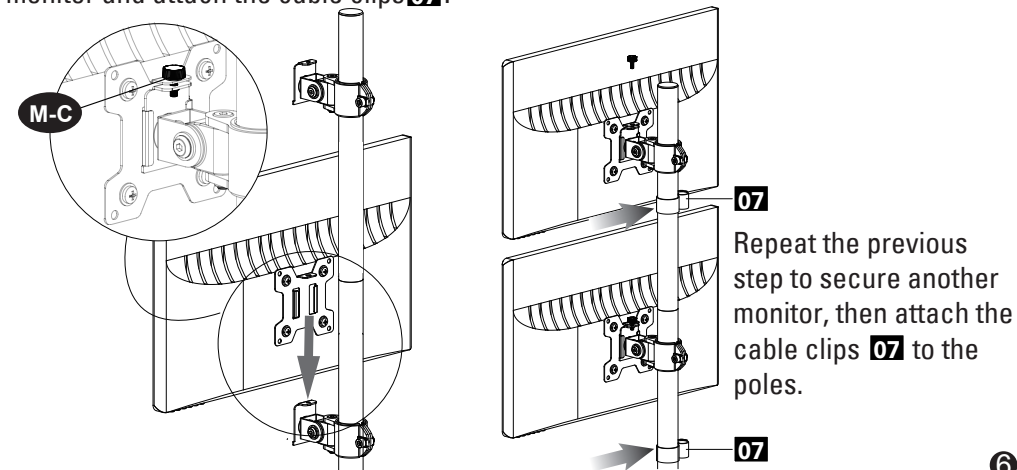
Step 3 Attach the monitors to the stand

Assemble the monitor heads **03** and the pole together.

Slide the monitor heads **03** down to desired height and secure them via tightening the bolts



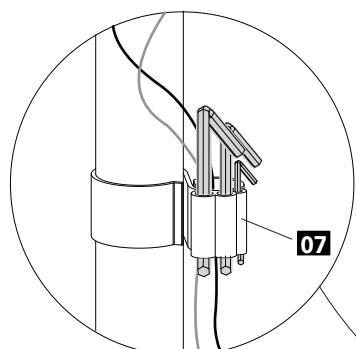
Hang the first monitor onto the arm then using the safety screw **M-C** to secure the monitor and attach the cable clips **07**.



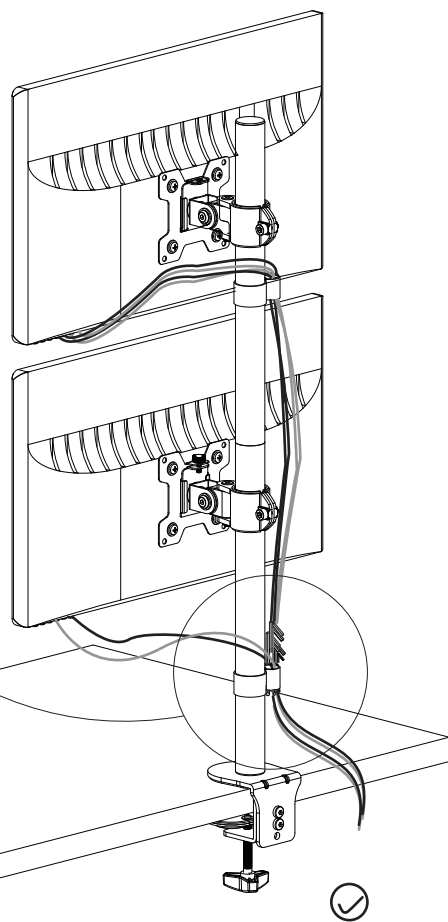
Repeat the previous step to secure another monitor, then attach the cable clips **07** to the poles.

6

Manage tools and cables

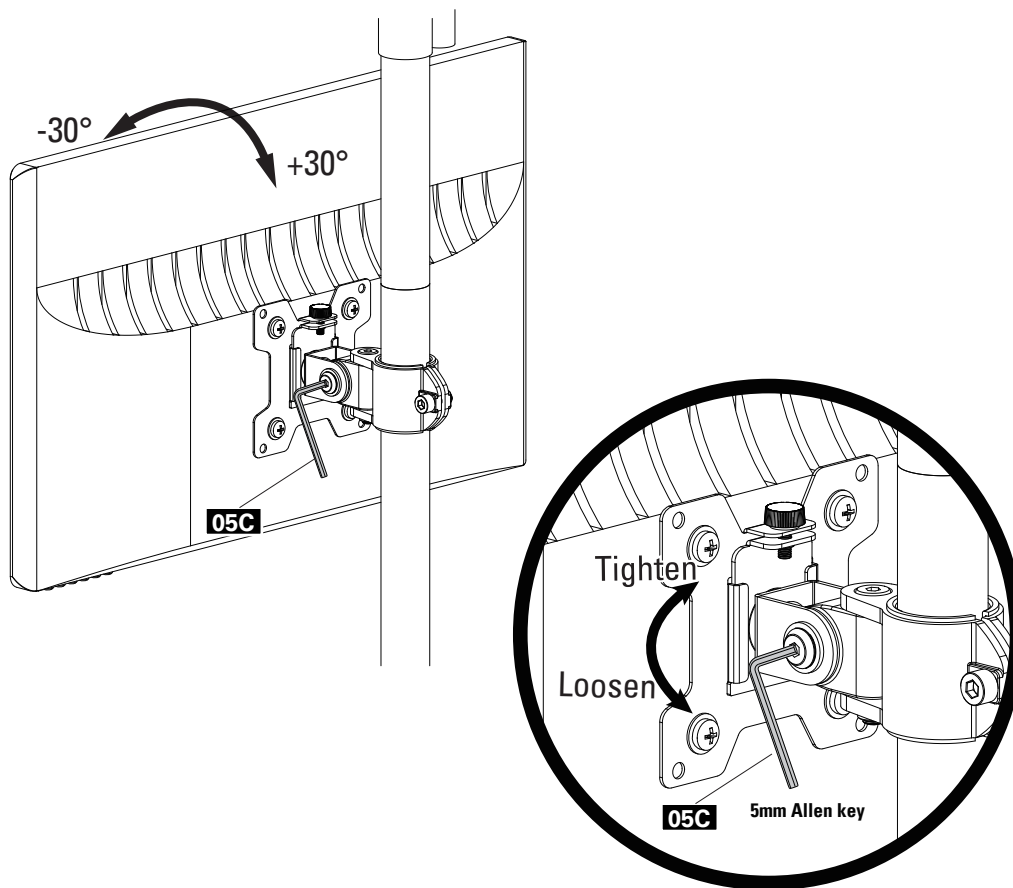


This cable clip **07** also can take in the Allen keys



9

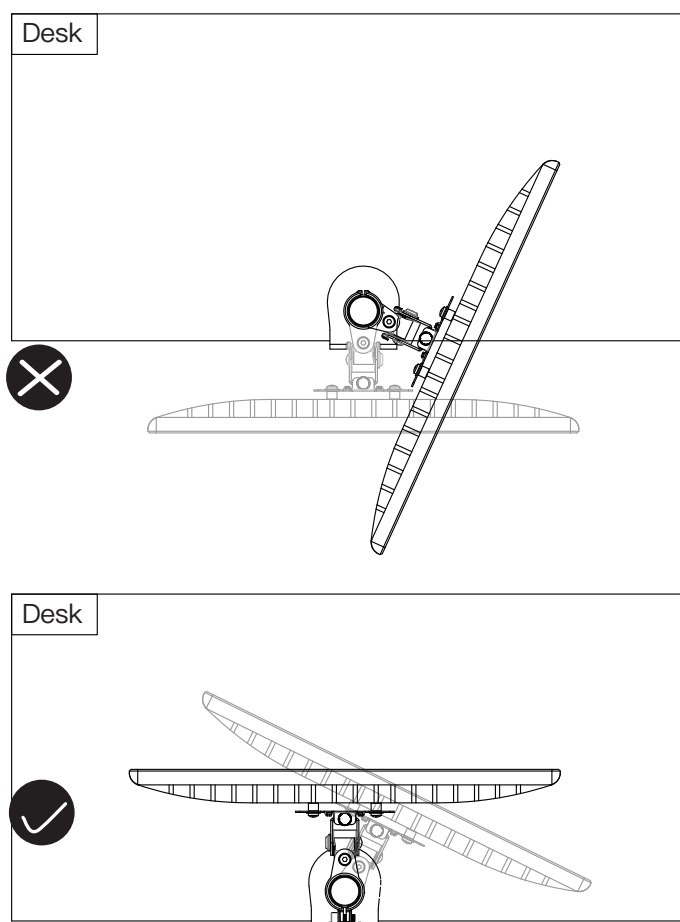
Step 4 Tilting Adjustment



Loosen tilting bolts, pull monitor to your desired angle, then fasten tilting bolts with the 5mm Allen key **05C**.

7

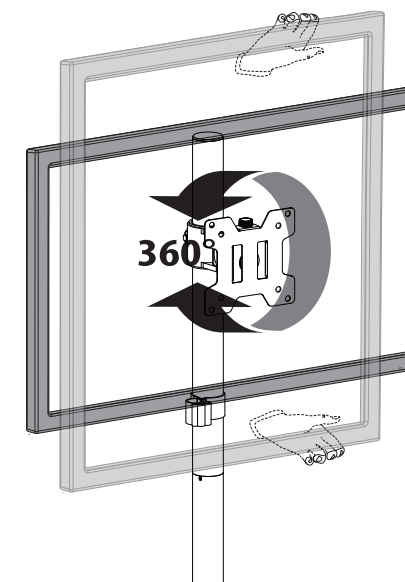
Set the desired angle of the monitors



10

Step 5 Switch screen horizontally and vertically

If needed, the monitor can be rotated ± 90 degrees for switching screen between horizontally and vertically for turn the monitors directly.



360° Rotation

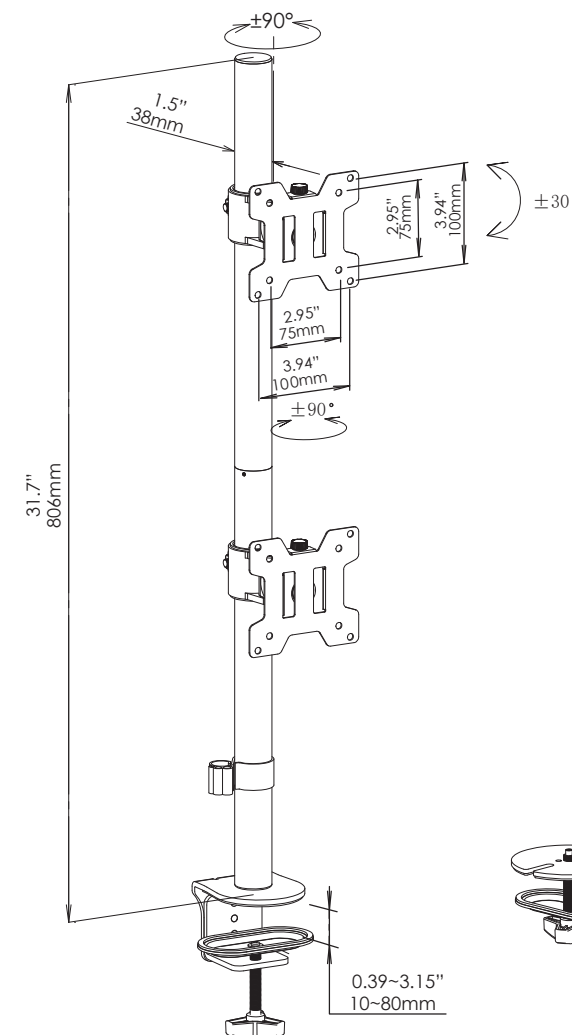
This function works better for monitors with the center of gravity.

Note: To ensure stability, the tightness of the rotation axis is preset, so it need take some effort to rotate the VESA Plate.

Suggestion: Please attach the monitor first, then hold the two sides of it with both hands, and rotate vigorously. If that doesn't work out, please do not hesitate to ask for our help via Amazon.

8

Product dimensions



11