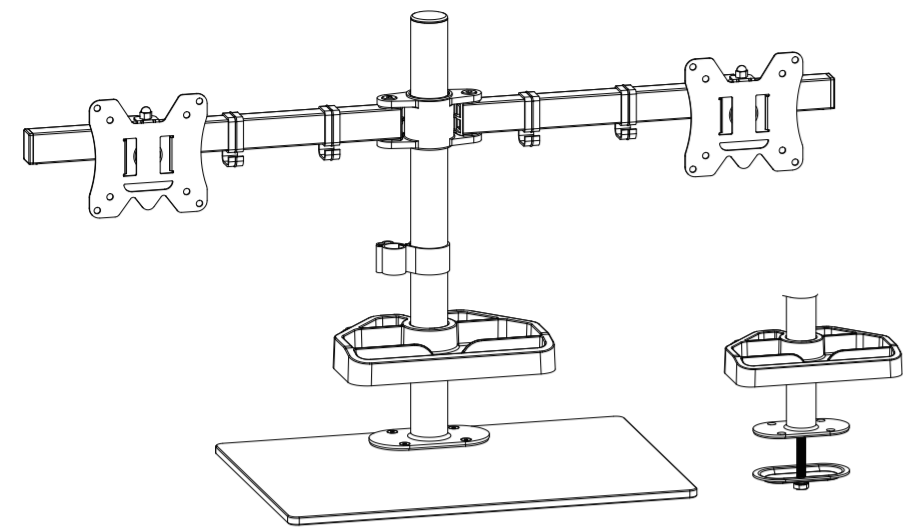


INSTALLATION INSTRUCTION

LDT04-022_US1.0



If you have any questions, please feel free to contact Customer Service via Amazon before returning.

Safety Caution

BEFORE ASSEMBLY

- Please check and make sure all necessary accessories are included and undamaged. If any parts are missing or damaged, do not return the damaged item to your dealer; contact Customer Service. Never use damaged parts.
- Please read and understand this manual carefully before installation.

WARNING

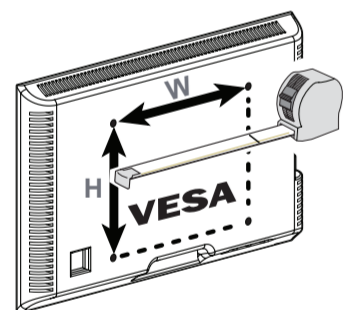
- This product contains small items that could be a choking hazard if swallowed. KEEP AWAY FROM CHILDREN UNDER 3 YEARS OLD. ADULT SUPERVISION IS REQUIRED.
- Improper installation, such as using the product for monitor over its load capacity or for any purpose not explicitly specified, may cause damage or serious injury. We would not be liable for any damage or injury caused by improper mounting or inappropriate use.

CAUTION AND MAINTENANCE

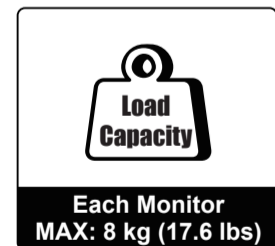
- Never allow children to climb, stand, hang, or play on any part of monitor or stand.
- This product is intended for indoor use only. Using this product outdoors could lead to product failure and personal injury.
- Check that the bracket is secure and safe to use at regular intervals (at least every three months).

Must Check Before Getting Started

1. Verify Your Monitor Specifications:



VESA Pattern (W × H):
75mm × 75mm / 3" × 3"
100mm × 100mm / 4" × 4"

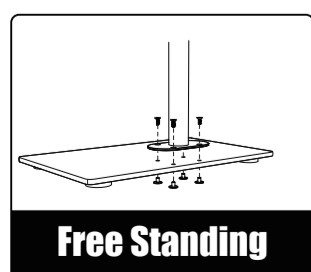


Each Monitor
MAX: 8 kg (17.6 lbs)

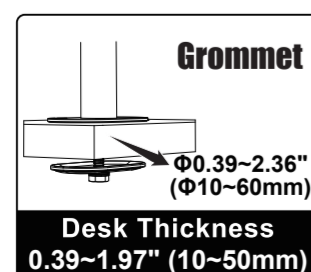
WARNING

DO NOT exceed the maximum weight indicated. This mounting system is intended for use only within the maximum weights indicated. Use with products heavier than the maximum weights indicated may result in failure of the mount and its accessories, causing possible damage or injury.

2. Verify Your Desk Specifications:

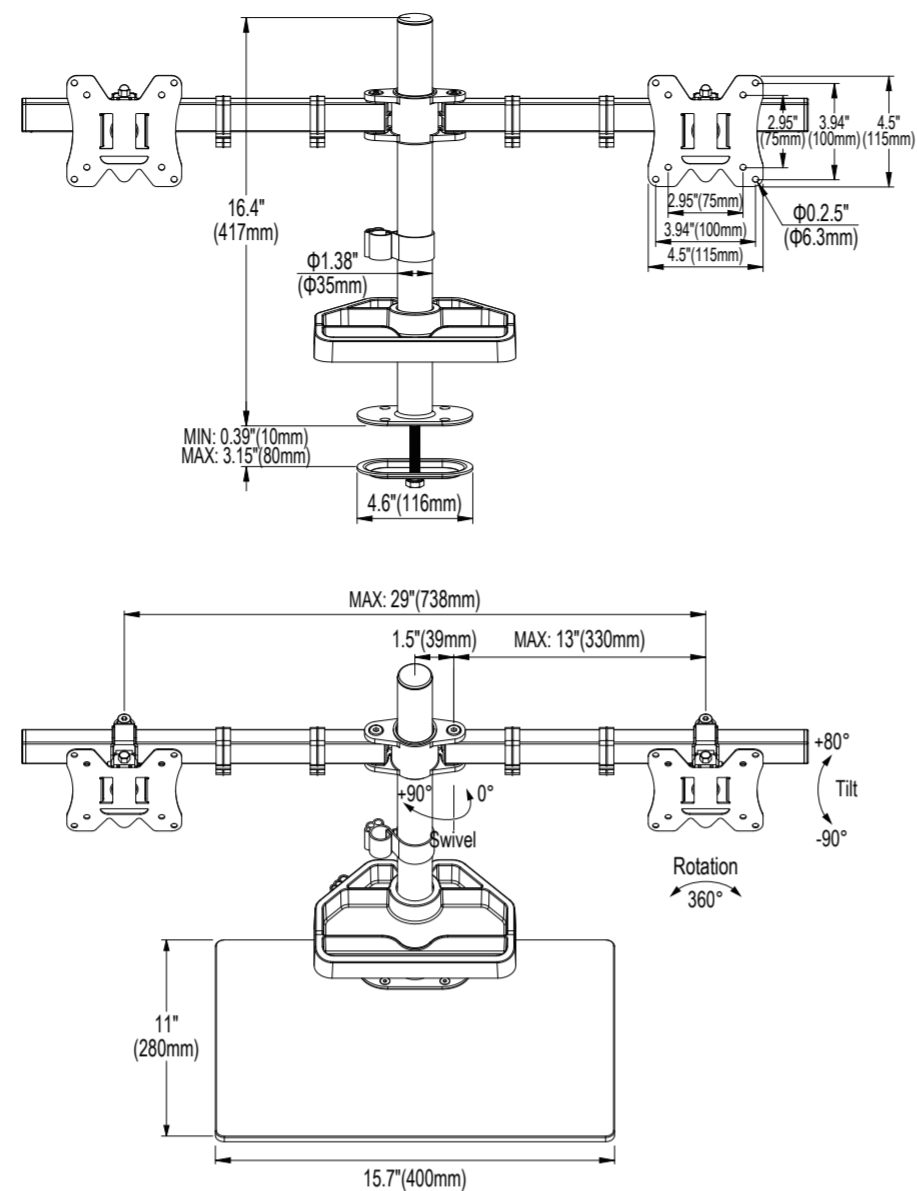


Perfect!

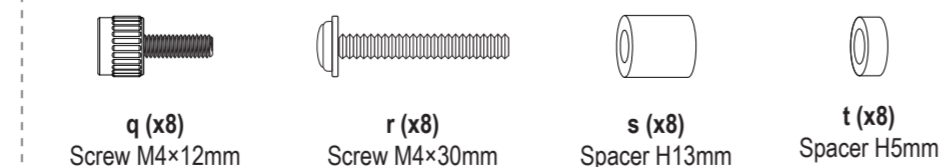
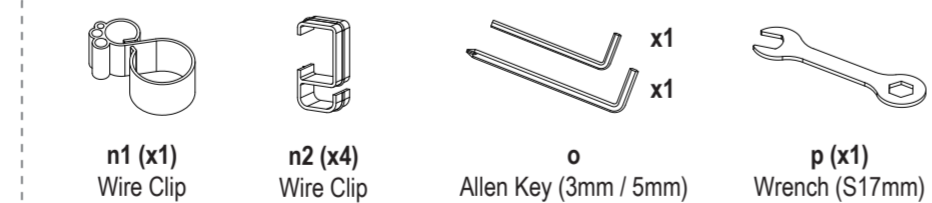
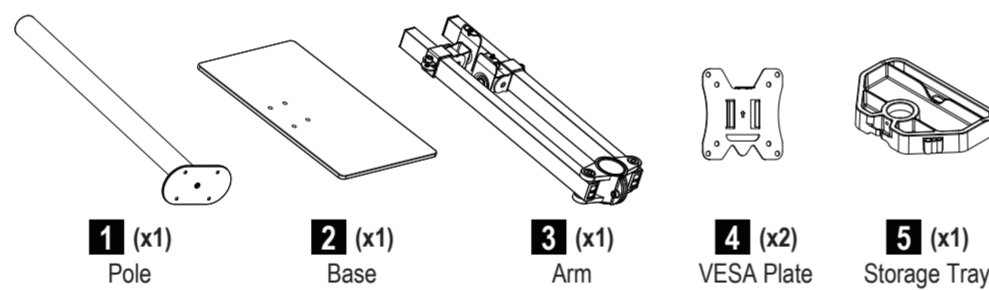


Perfect!

Product Dimensions



Supplied Parts and Hardware



NOTE: Not all parts and hardware included will be used.

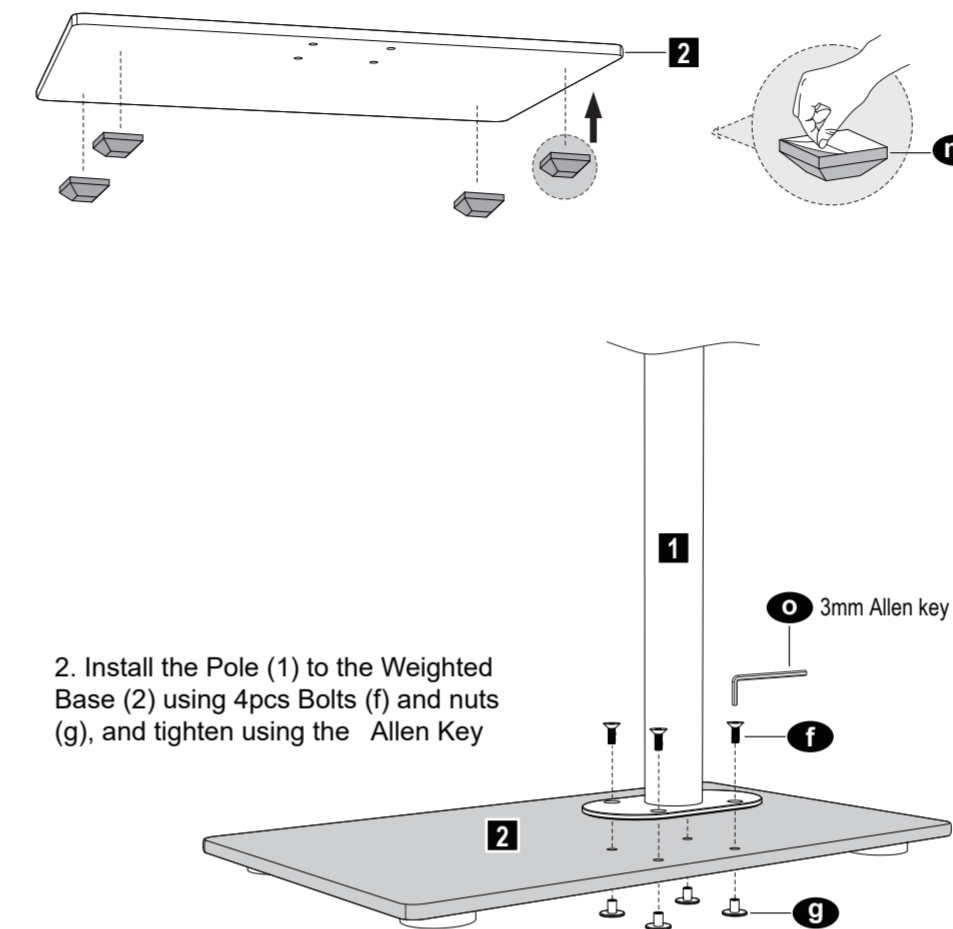
1 Base Installation

OPTION A: Weighted Base Installation



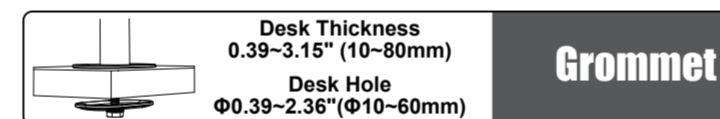
Free Standing

1. Tear off plastic film of foot pads (m), then attach foot pads (m) near four corners of the base (2) bottom.

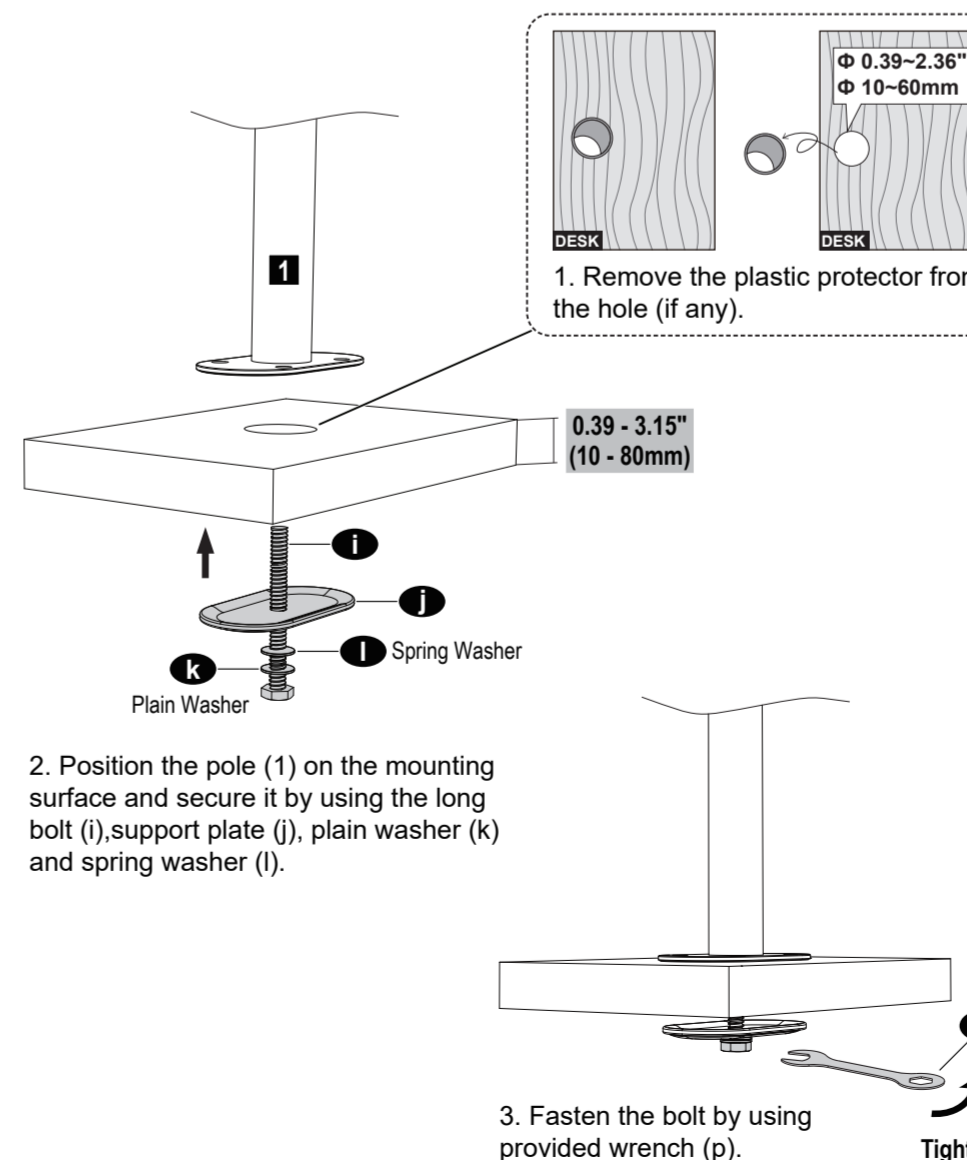


2. Install the Pole (1) to the Weighted Base (2) using 4pcs Bolts (f) and nuts (g), and tighten using the Allen Key.

OPTION B: Grommet Base Installation



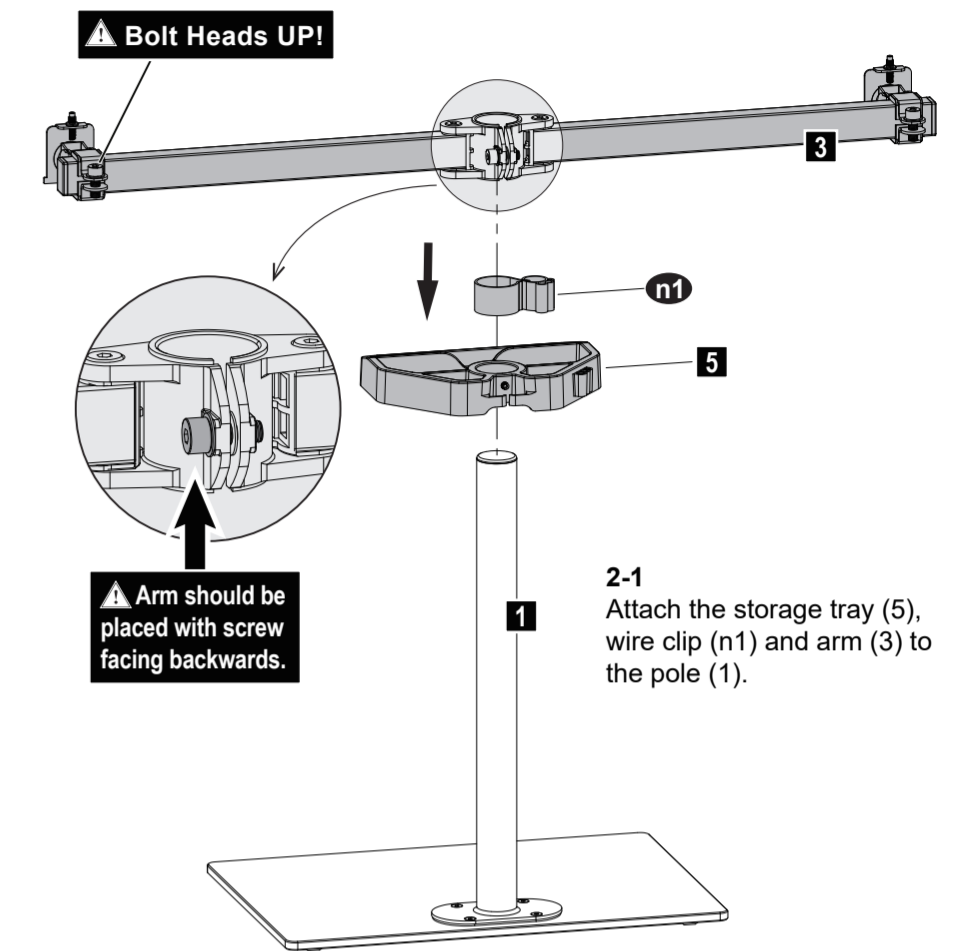
Grommet



2. Position the pole (1) on the mounting surface and secure it by using the long bolt (i), support plate (j), plain washer (k) and spring washer (l).

3. Fasten the bolt by using provided wrench (p).

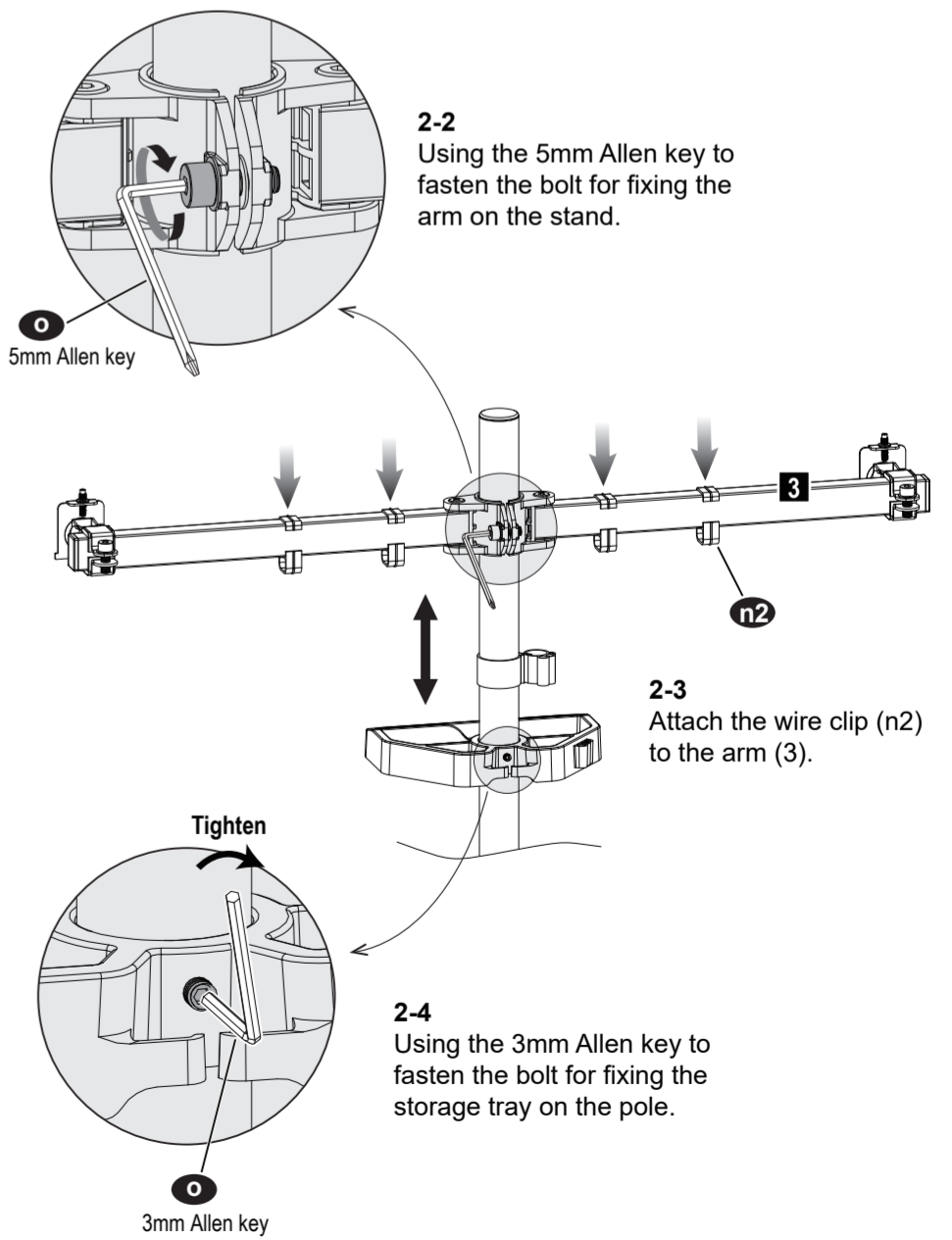
2 Arm Installation



Bolt Heads UP!

Arm should be placed with screw facing backwards.

- 2-1 Attach the storage tray (5), wire clip (n1) and arm (3) to the pole (1).



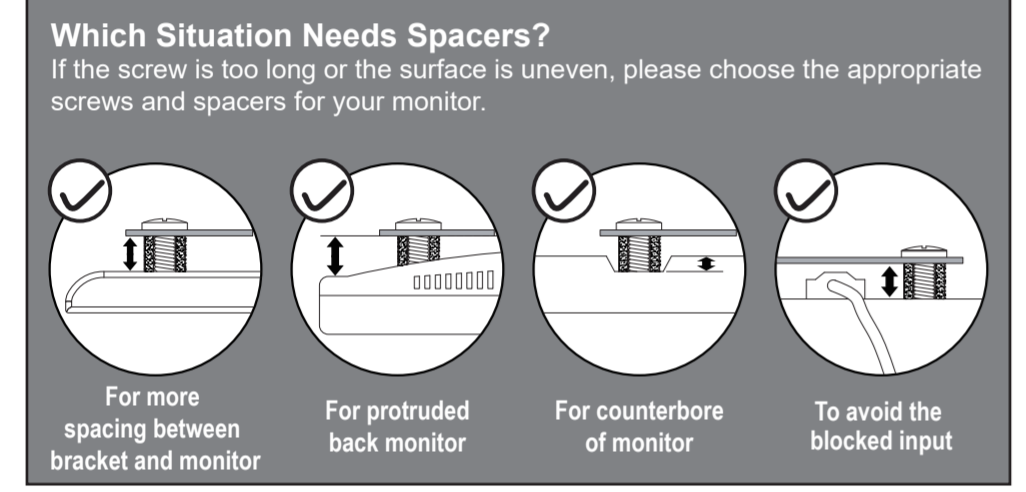
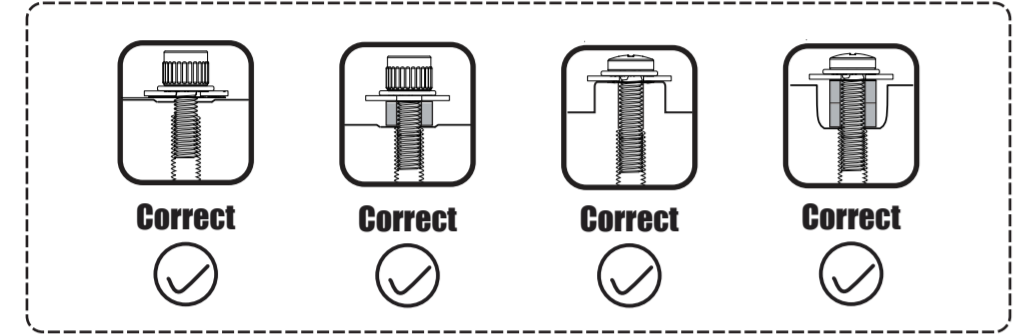
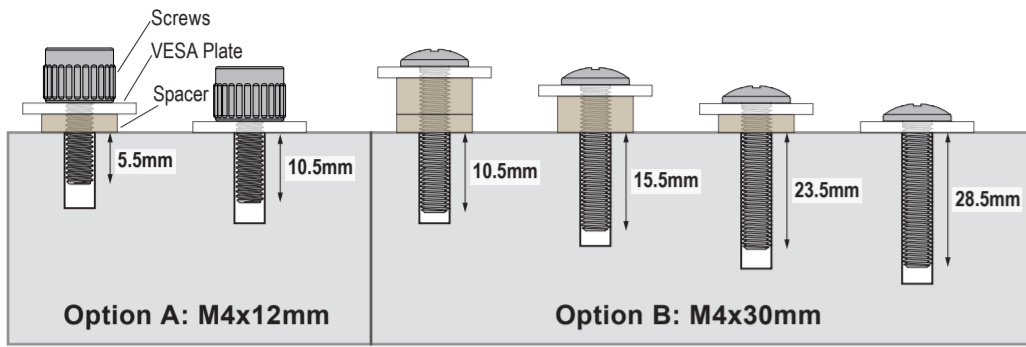
- 2-2 Using the 5mm Allen key to fasten the bolt for fixing the arm on the stand.

- 2-3 Attach the wire clip (n2) to the arm (3).

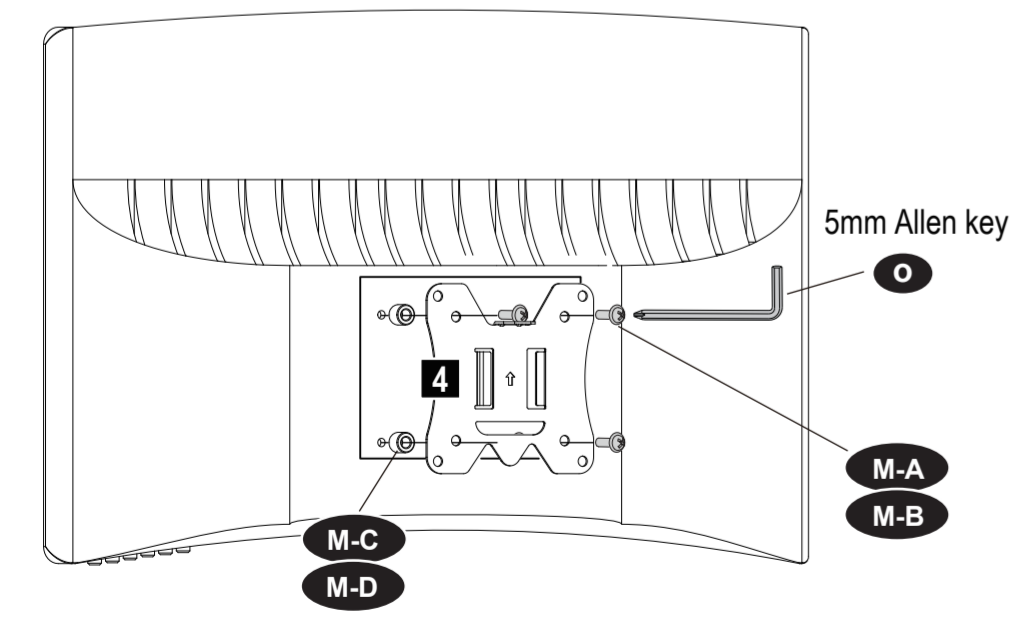
- 2-4 Using the 3mm Allen key to fasten the bolt for fixing the storage tray on the pole.

3 Attach VESA Plate to Monitor

3-1 Select Correct Monitor Screw Length



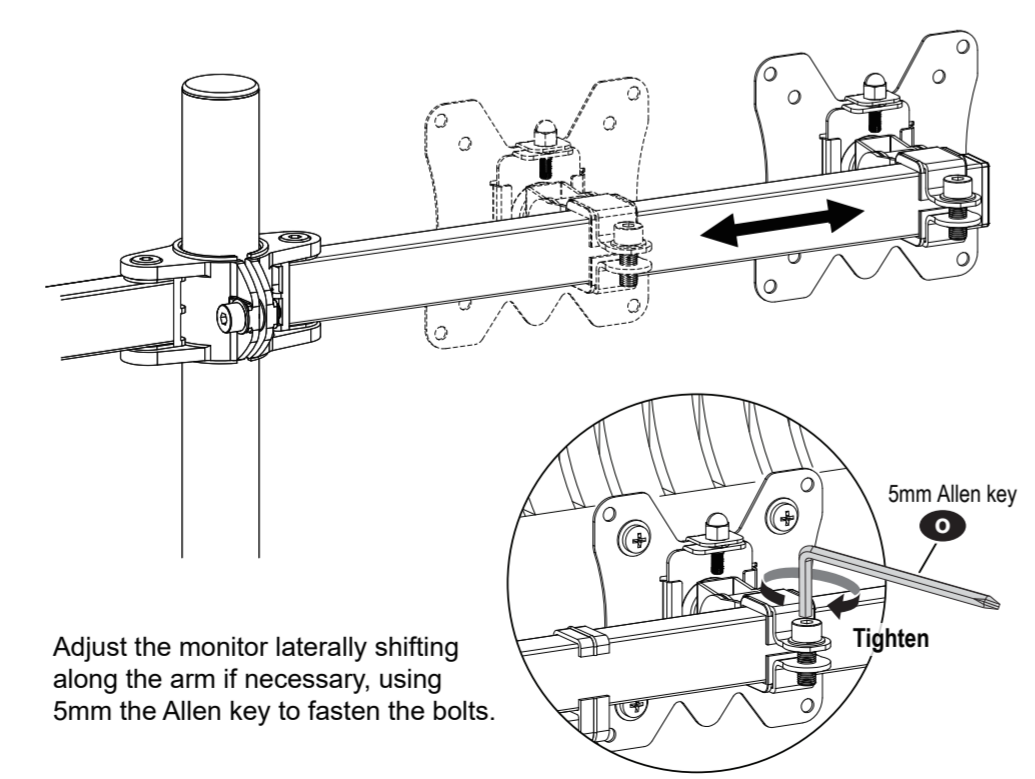
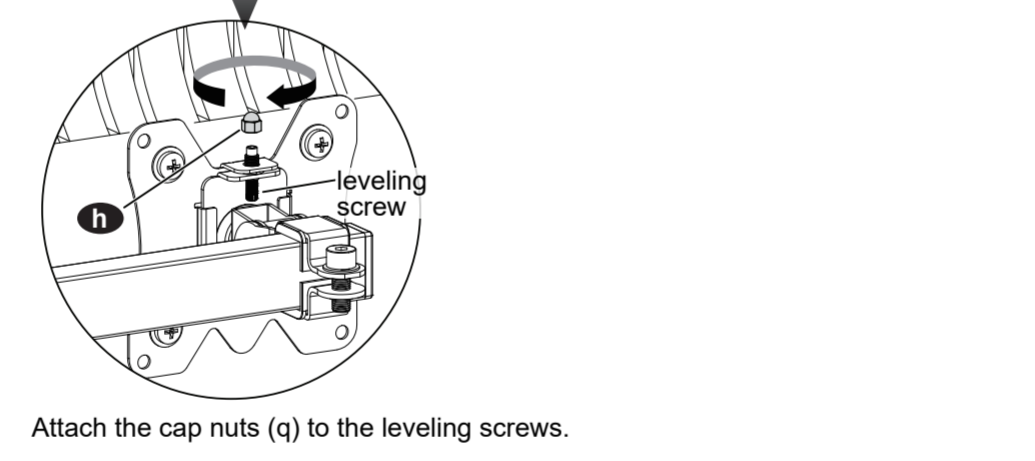
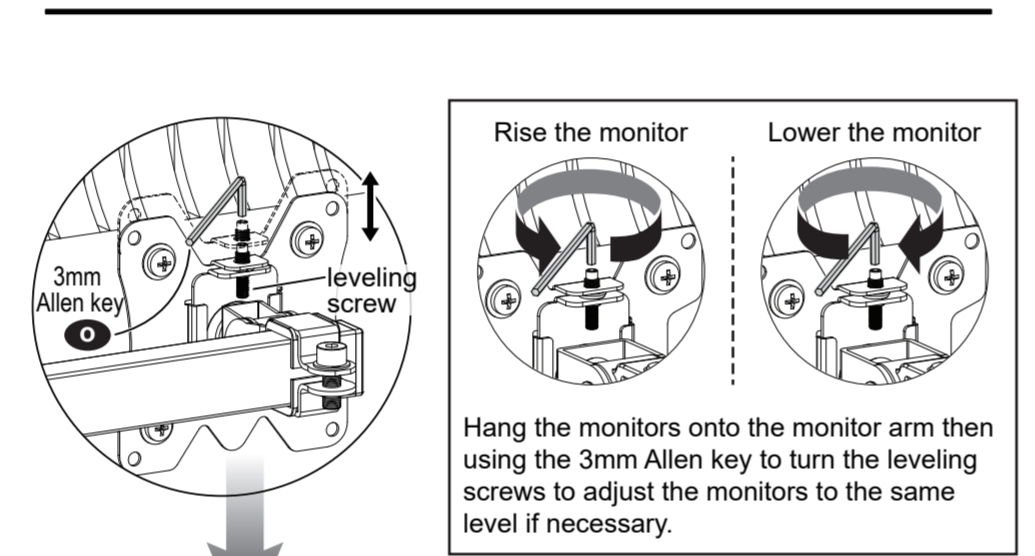
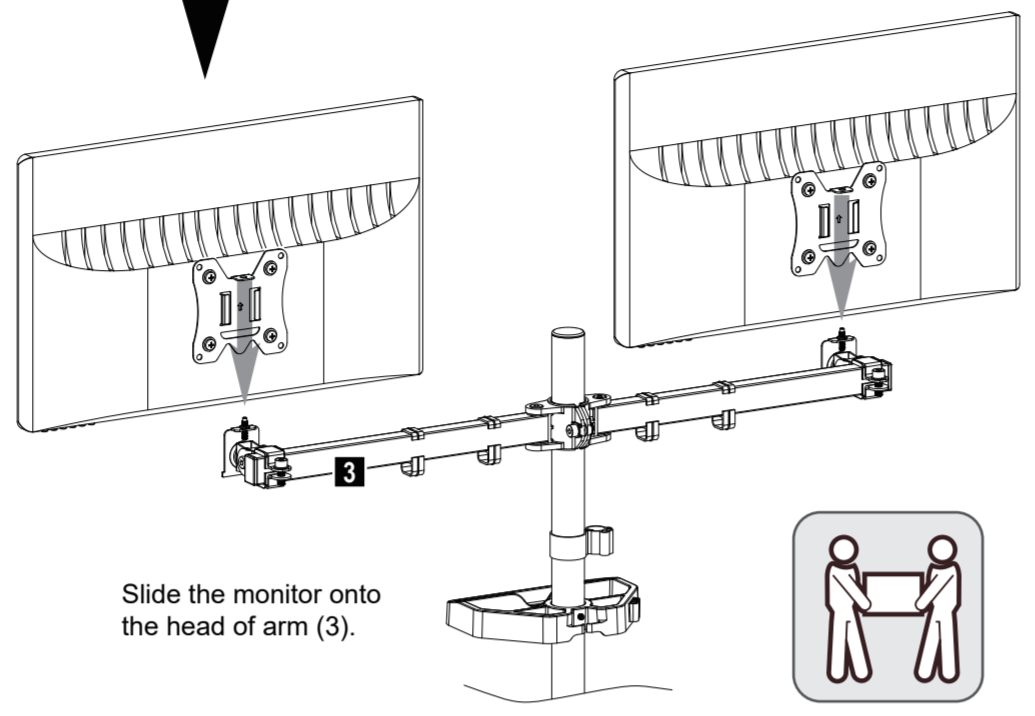
3-2



Do not tighten the screws excessively or tighten them by using the Electrodrill, or your monitor might be damaged.

4 Hang Monitor

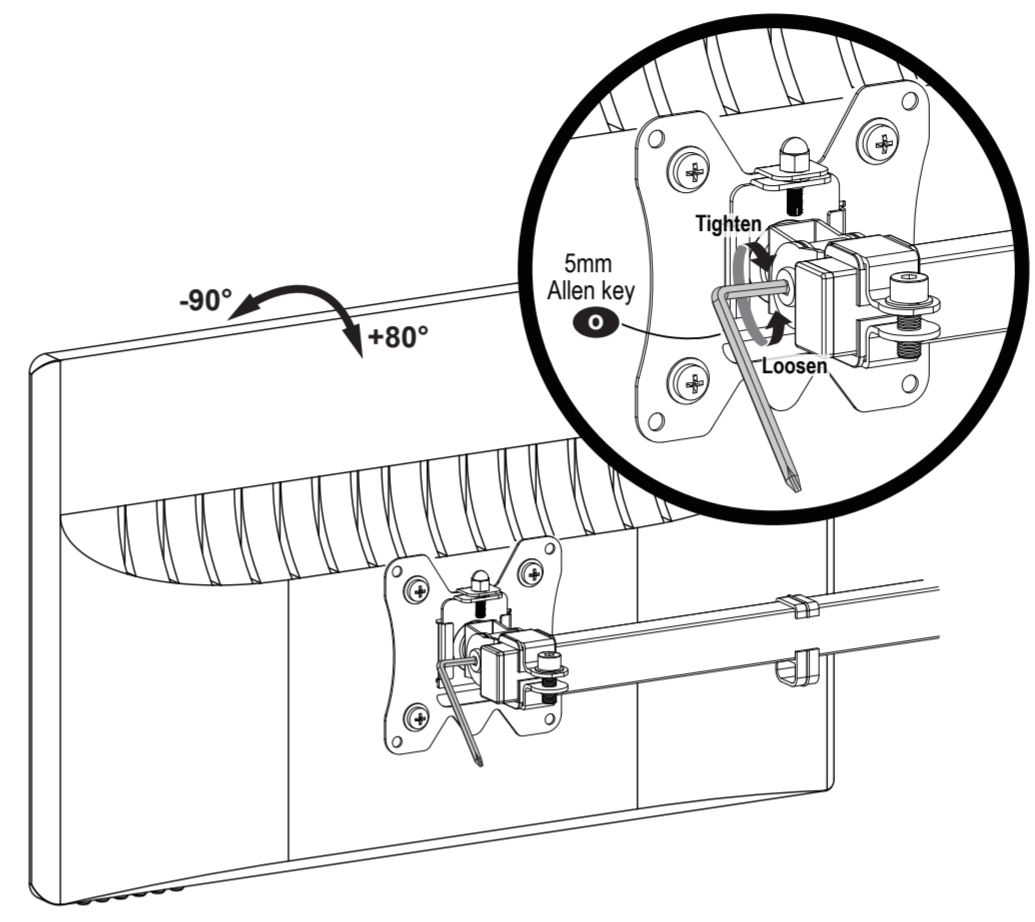
Attention:
1. This stand works better for two monitors with the same weight.
2. Hang 2 monitors onto the arm at the same time to prevent the danger of tipping.



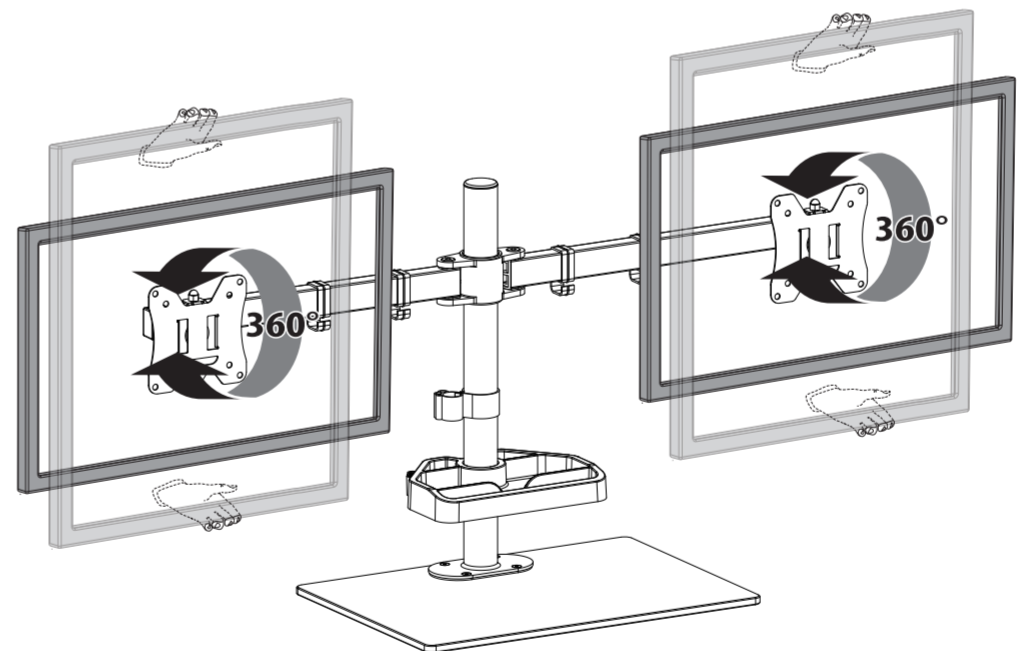
5 Adjustments

Tilting Adjustment

- Loosen the tilting bolt.
- Adjust monitor to your desired tilt angle.
- Retighten the tilting bolt to fix the intended angle.



Switch screen horizontally and vertically



360° Rotation
This function works better for monitors with the center of gravity.

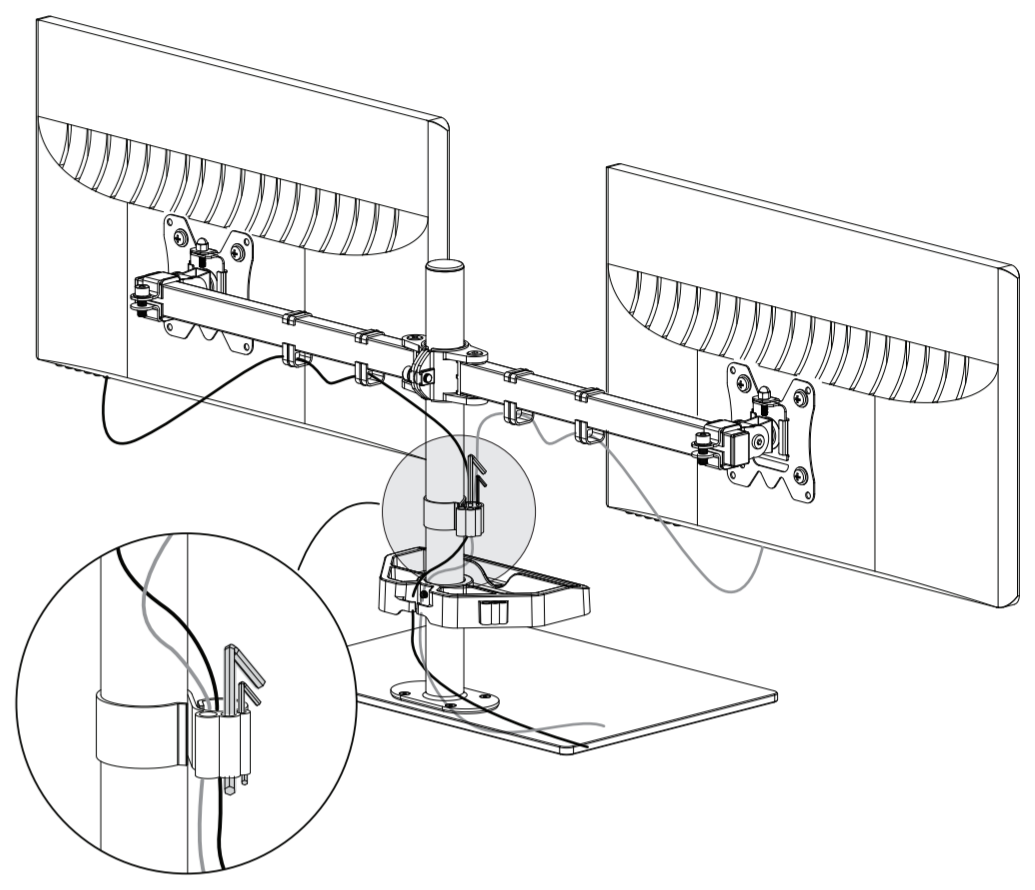
Note: To ensure stability, the tightness of the rotating axis has been preset, so it would be kind of difficult to rotate the VESA plate.

Suggestion: Please attach the monitor first, then hold the two sides of it with both hands, and rotate vigorously. If that doesn't work out, please do not hesitate to ask for our help via Amazon.

5 (Continued)

Cable Management

Run cables through the wire clip. Store Allen keys in wire clip or storage tray for future use.



Set the desired position of the monitors

