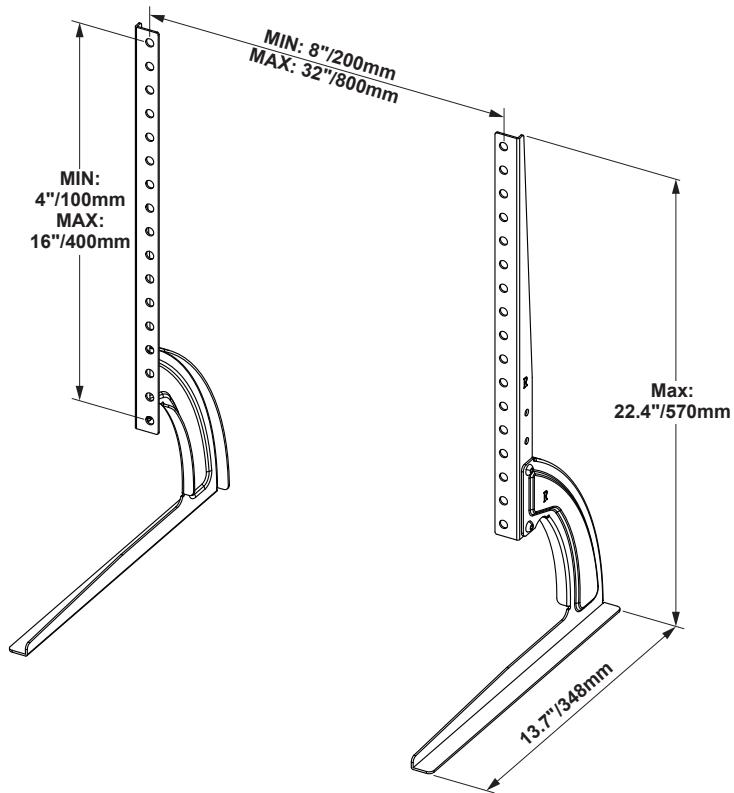


Tabletop TV Stand

Instruction Manual

US1.0



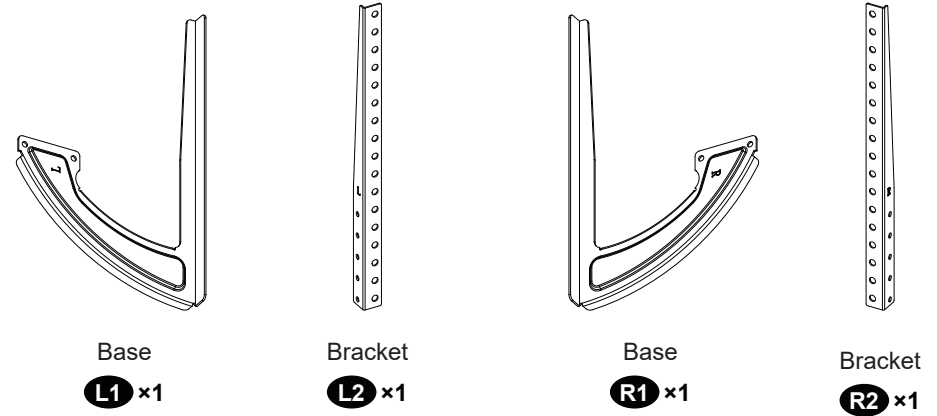
CAUTION AND MAINTENANCE:

- ◆ Don't allow children to climb, stand, hang, or play on any part of TV or stand.
- ◆ This product is intended for indoor use only. Using this product outdoors could lead to product failure and personal injury.
- ◆ Incorrect installation may result in product damage or body injury.
- ◆ Check that the bracket is secure and safe to use at regular intervals (at least every three months).




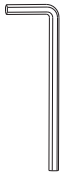

WARNING: This product contains small items that could be a choking hazard if swallowed. Before starting assembly, verify all parts are included and undamaged. If any parts are missing or damaged, do not return the damaged item to your dealer; please contact our customer service team. Never use damaged parts!

If you have any questions, please feel free to contact us via Amazon.

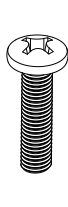
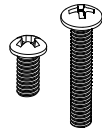

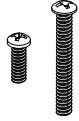
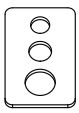
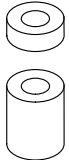
Supplied Parts and Hardware



Hardware (Product)

				
Pads A x4	Bolt M6x12mm B x4	Nut M6 C x4	Allen Key D x1	Wrench E x1

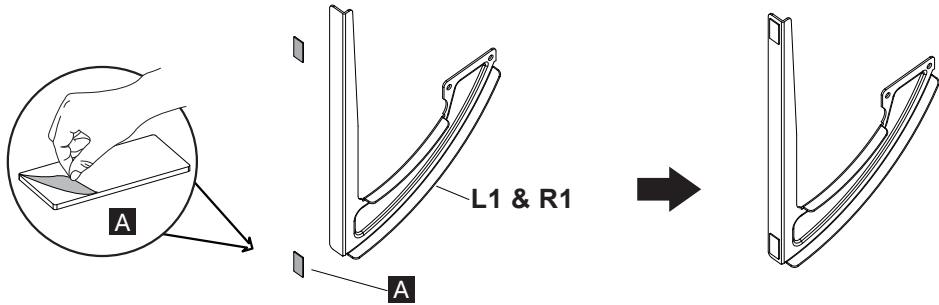
TV Screws / Spacers / Washers

Philips Screws M8 x 25mm M8 x 45mm	Philips Screws M6 x 15mm M6 x 30mm	Philips Screws M5 x 15mm	Philips Screws M4 x 12mm M4 x 30mm	Washers Ø 5/6/8 mm	Spacers L5mm L10mm
 S1 x4	 S2 x4	 S3 x4	 S4 x4	 S5 x4	 S6 x4

ASSEMBLY STEPS

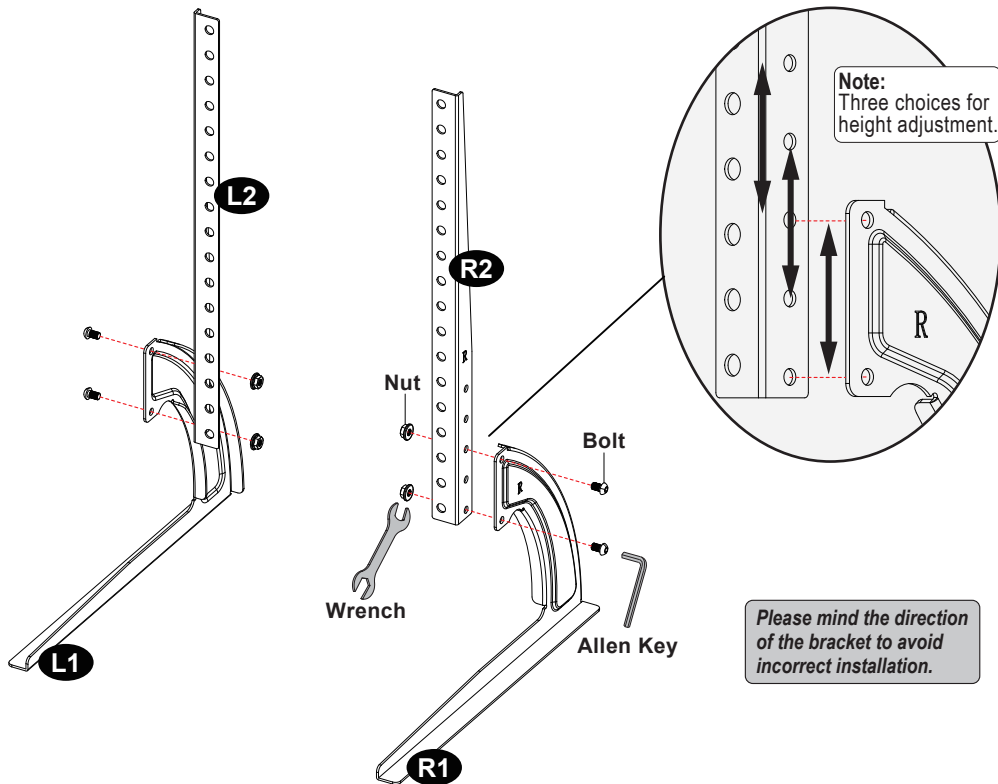
STEP 1

Attach the Pads **A** to the Base (L1 & R1).



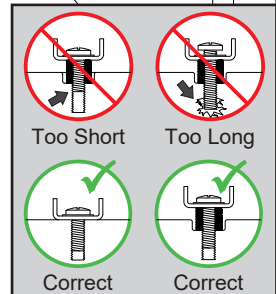
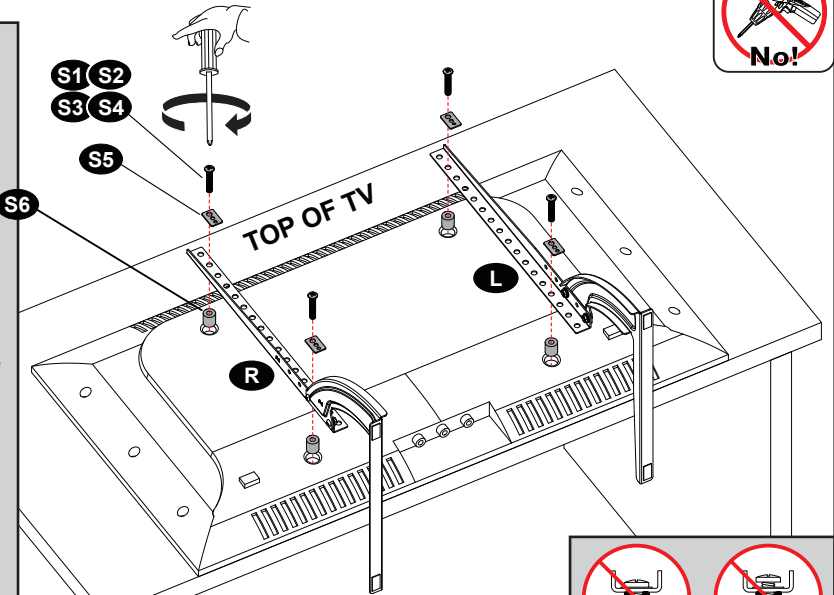
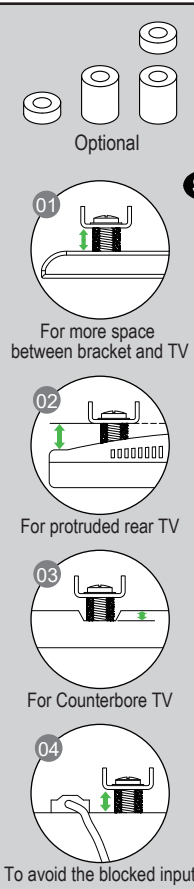
STEP 2

Connect the Bracket and Base by using Bolts **B** and Nuts **C**, tighten them with Allen Key **D** and Wrench **E**.



STEP 3

Attach the Brackets to the back of flat / curved TV. Secure it with TV screws, washers, and spacers.



CAUTION:
Too short will not hold your TV.
Too long will damage your TV.

STEP 4

Turn over the TV to stay upwards.

