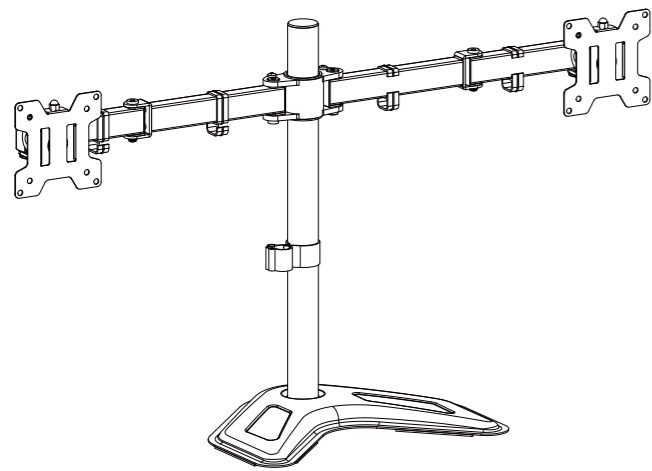


INSTALLATION INSTRUCTION



Max: 17.6LBS (8KG)
Each monitor



Max: 100x100mm/4x4"
Min: 75x75mm/3x3"

BA-2

If you have any questions, please feel free to contact us via Amazon.

Warm Tips
You could also refer to the Video Guide about installation on our product page.

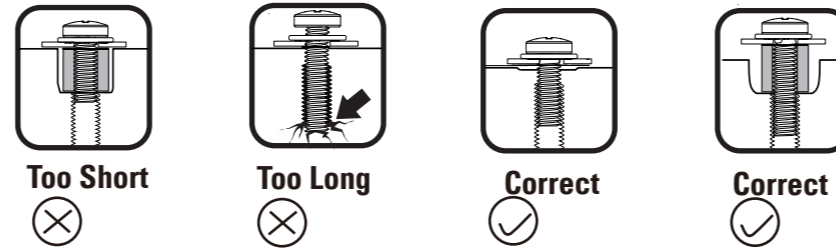
Safety Caution

Please read this instruction carefully before installation. If you do not understand these instructions or have doubts about the safety of the installation, assembly or use of this product, please contact us.

WARNING: This product contains small items that could be a choking hazard if swallowed. Before starting assembly, verify all parts are included and undamaged. For parts shortage or damage, please contact us.

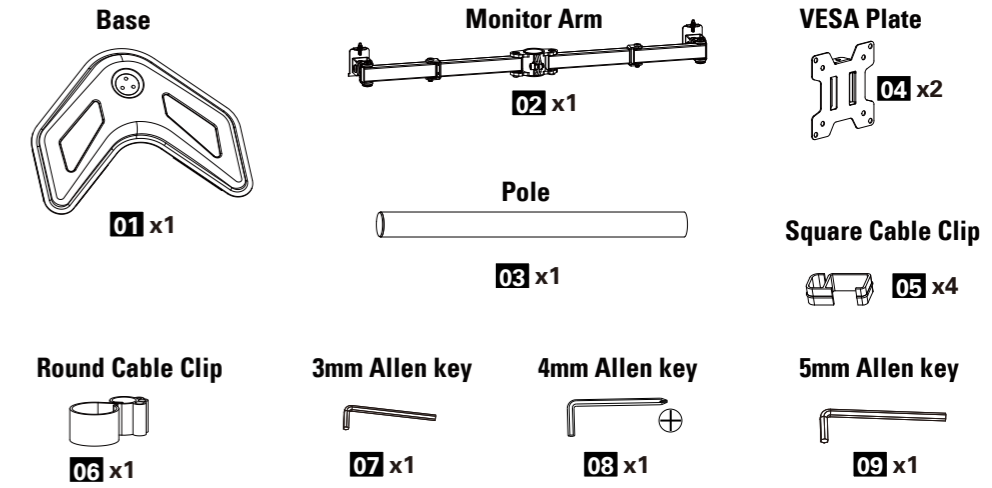
Before Starting Assembly

When attaching brackets to the flat screen, be careful not to over tighten screws and be sure that screws do not bottom out in the mounting holes.



Please make sure you don't tighten the screws much excessively or it may cause your monitor damage.

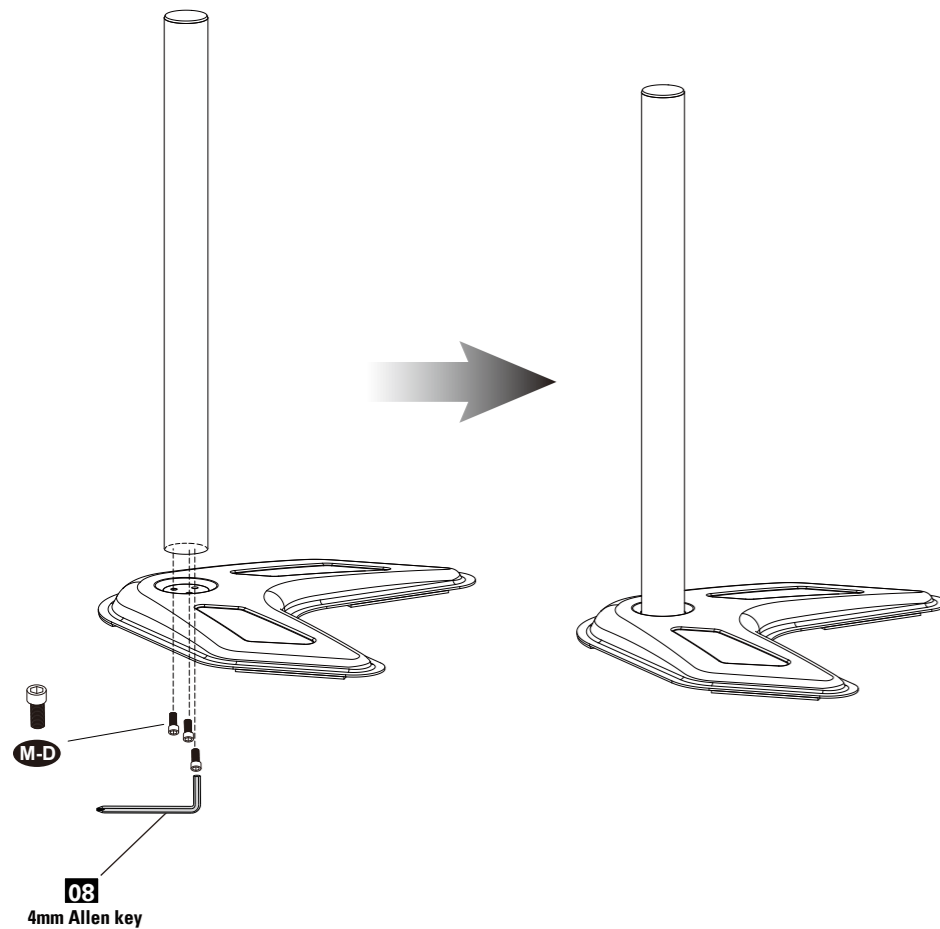
Hardware Included



Hardware Kit					
Philips Screws	Spacers	Cap Nut	Bolts	Philips Screws	
M4 x 12mm x8	M4 x 30mm x8	L10mm x16	x2	M5 x 12mm x3	M5 x 50mm x2
M-A	M-B	M-C	M-D	M-E	

Step 1-1 Assemble the stand

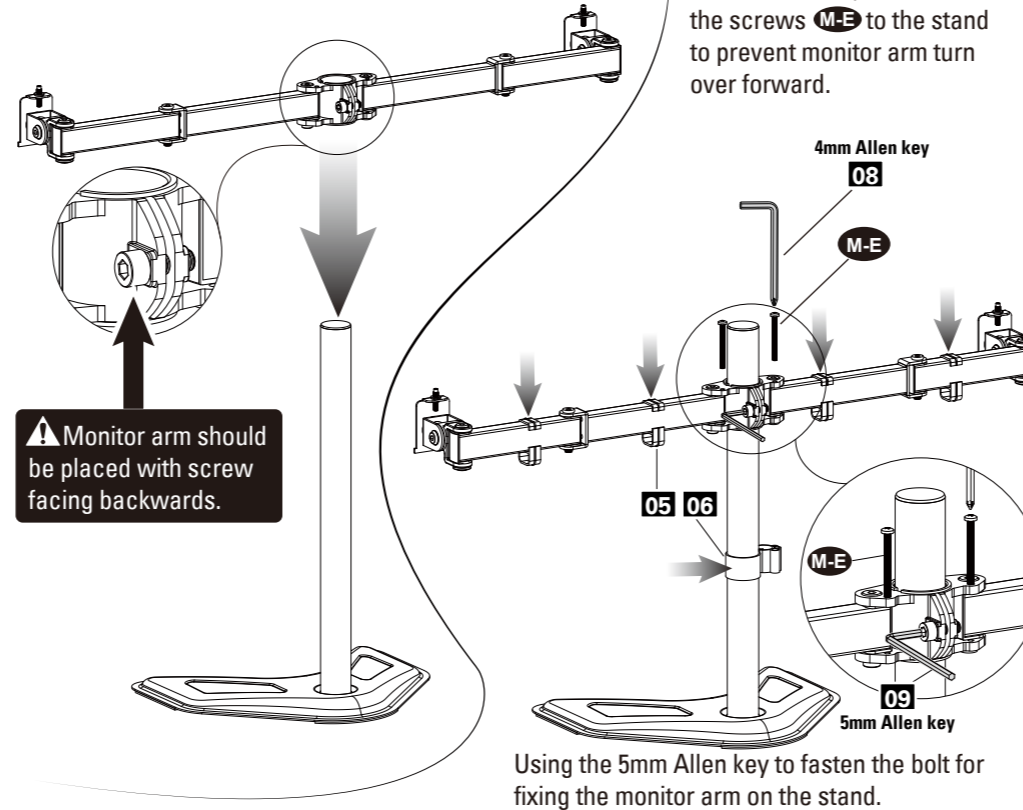
Assemble the pole and the base together using the included 4mm Allen key.



3

Step 1-2 Assemble the stand

Assemble the monitor arm and the pole together.

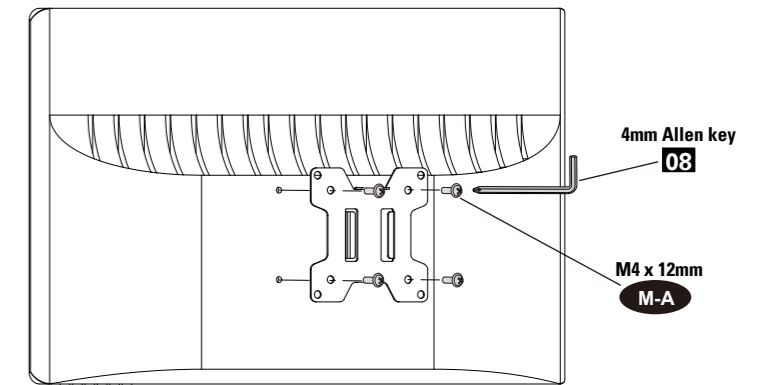


1

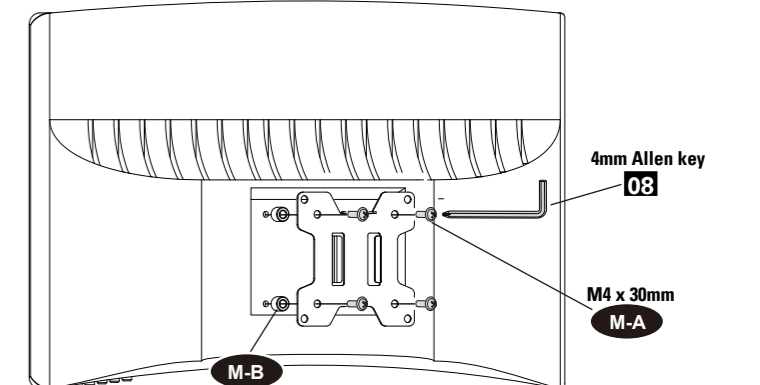
4

Step 2 Attach the VESA plates to the monitors

(a) For Flat Back



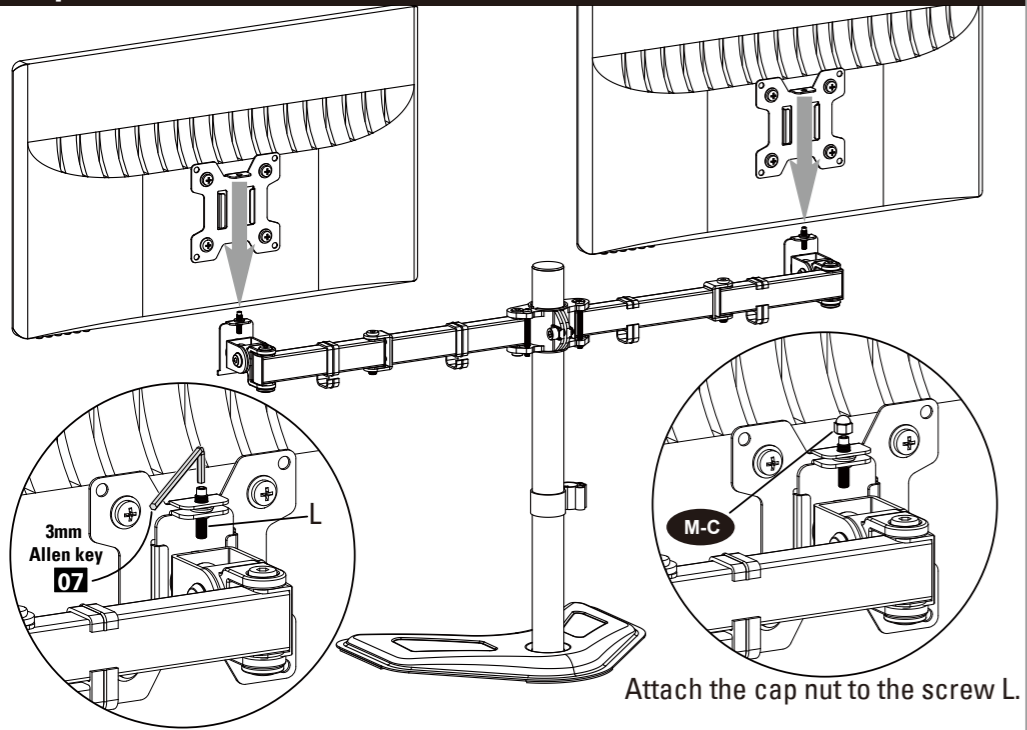
(b) For Recessed / Curved Back



2

5

Step 3 Attach the monitors to the stand

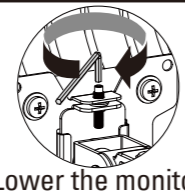


Attach the cap nut to the screw L.

Hang the monitors onto the monitor arm then using the 3mm Allen key to turn the screws L to adjust the monitors to the same level if necessary.



Rise the monitor

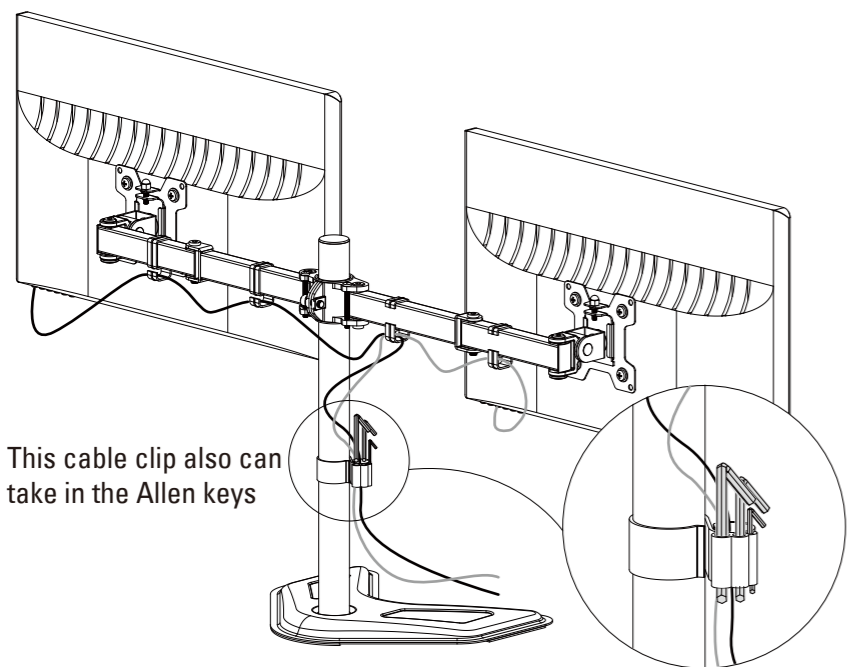


Lower the monitor

WARNING:
Hang 2 monitors onto the arm at the same time to prevent the stand falling.

6

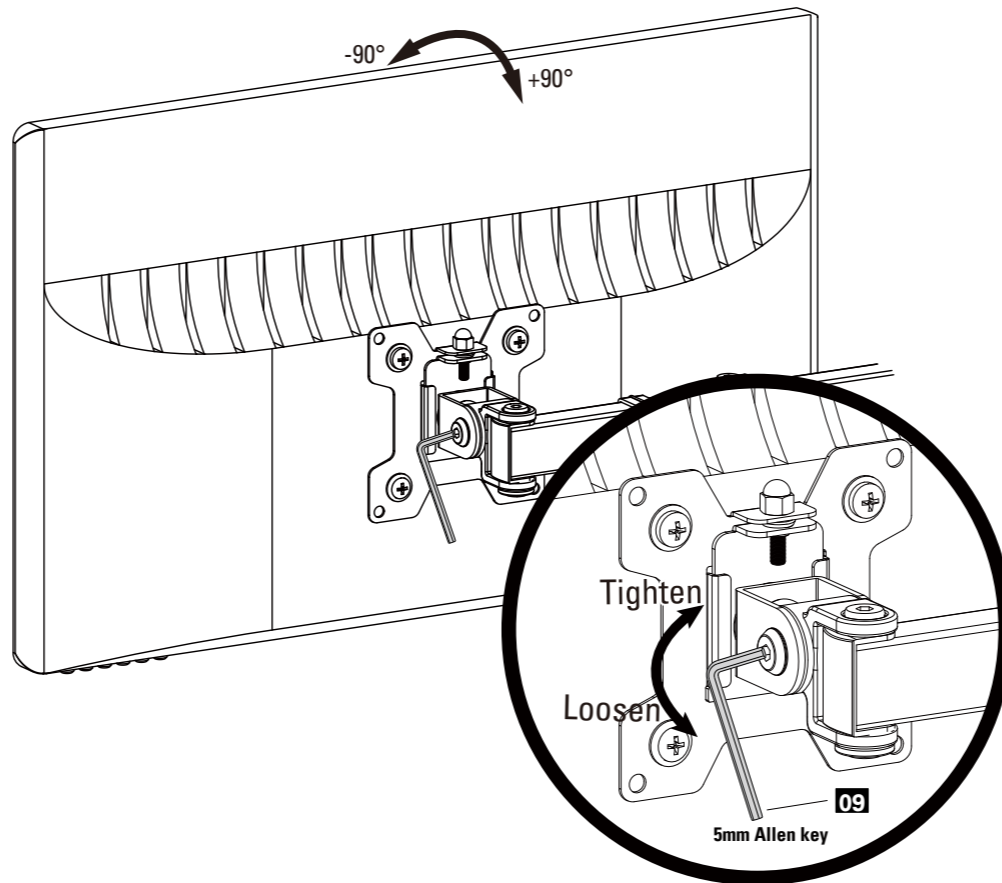
Manage tools and cables



This cable clip also can take in the Allen keys

9

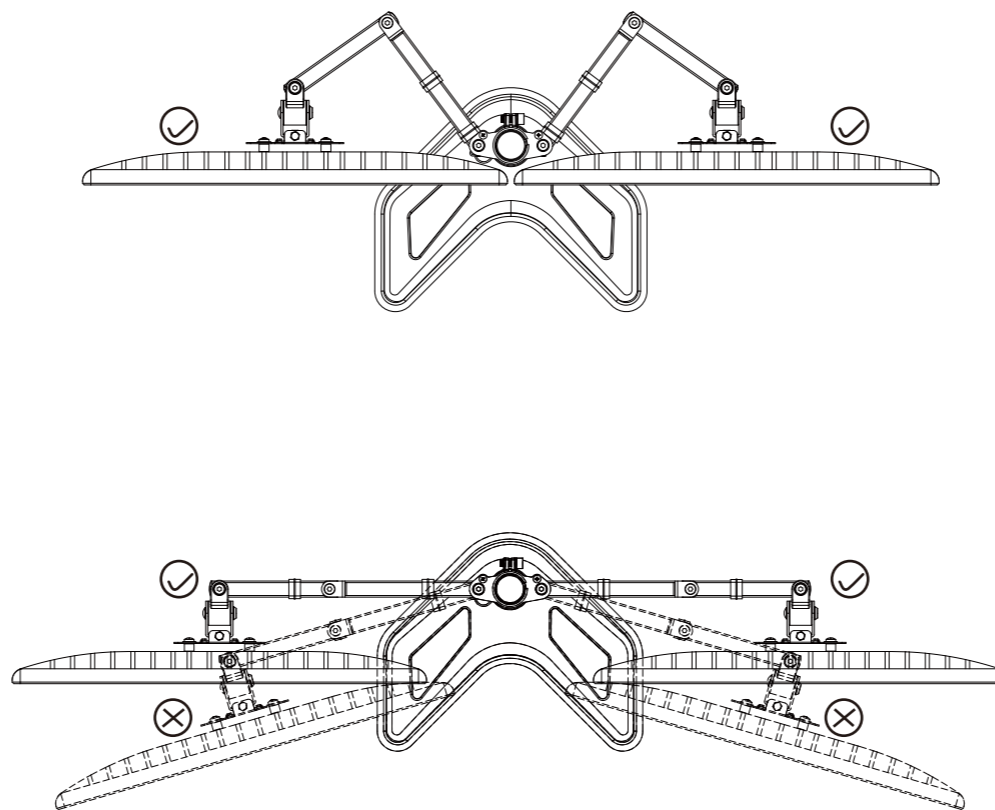
Step 4 Tilting Adjustment



Loosen tilting bolts, pull monitor to your desired angle, then fasten tilting bolts with the 5mm Allen key.

7

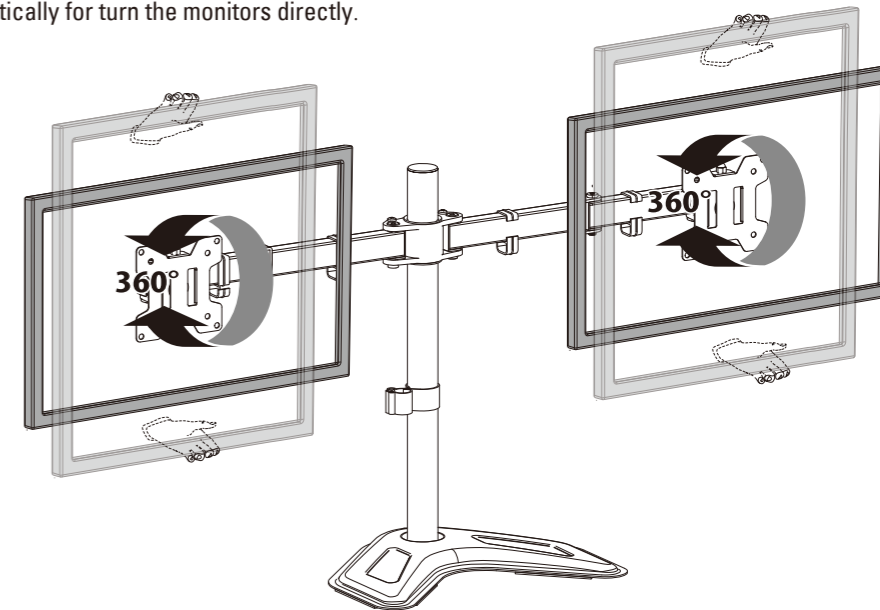
Set the desired angle of the monitors



10

Step 5 Switch screen horizontally and vertically

If needed, the monitor can be rotated ± 90 degrees for switching screen between horizontally and vertically for turn the monitors directly.



360° Rotation

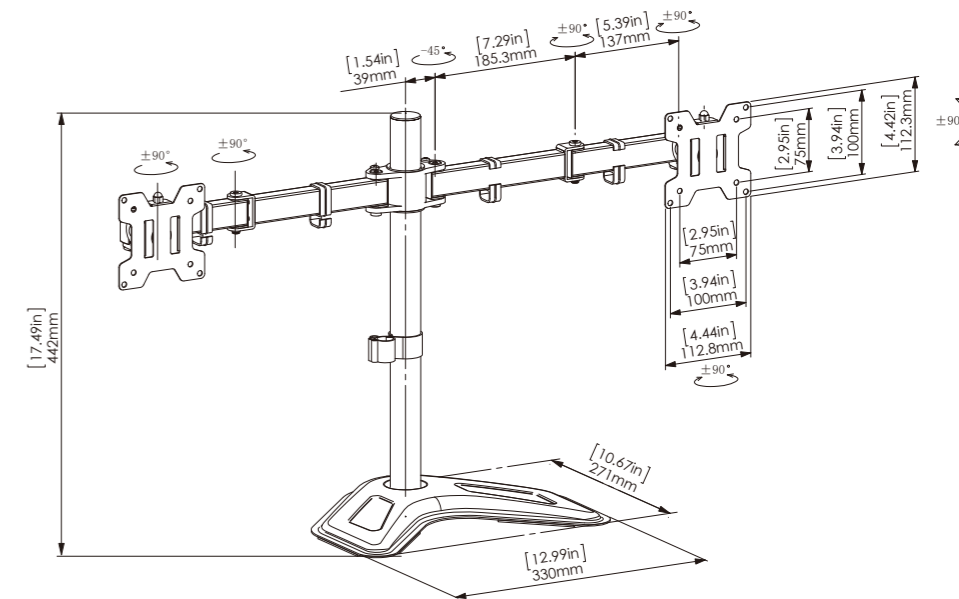
This function works better for monitors with the center of gravity.

Note: To ensure stability, the tightness of the rotating axis has been preset, so it would be kind of difficult to rotate the VESA plate.

Suggestion: Please attach the monitor first, then hold the two sides of it with both hands, and rotate vigorously. If that doesn't work out, please do not hesitate to ask for our help via Amazon.

8

Product dimensions



11