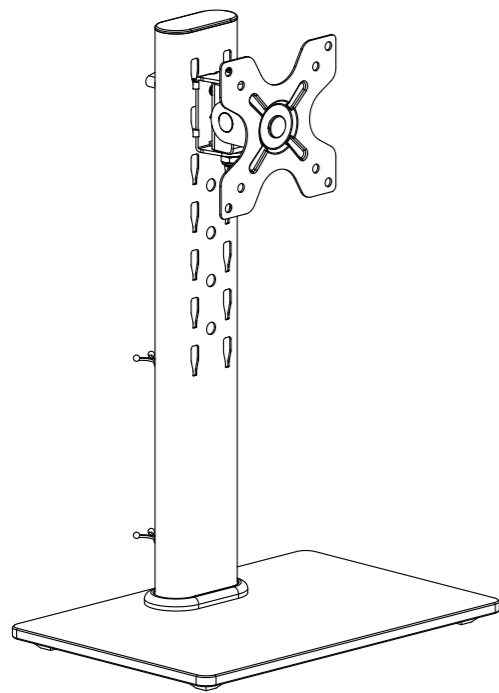


# INSTALLATION INSTRUCTION



33 lbs  
15 kg

75x75mm  
100x100mm

(ZDT10-C01-US2)

If you have any questions, please feel free to contact Customer Service via Amazon before returning.

## Safety Caution

### BEFORE ASSEMBLY

- Layout all components and hardware. Check all parts are included and undamaged.
- Should anybody intends to install or use this monitor stand, please read and understand this manual carefully.
- If you do not understand these instructions or have any doubt about the safety instructions, assembly or use of this product, please contact our customer service.

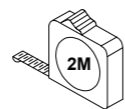
### WARNING

- This product contains small items that could be a choking hazard if swallowed.
- KEEP AWAY FROM CHILDREN UNDER 3 YEARS OLD. ADULT SUPERVISION IS REQUIRED.
- Improper installation, such as using the product for monitors over its load capacity or for any purpose not explicitly specified, may cause damage or serious injury. We would not be liable for any damage or injury caused by improper mounting or inappropriate use.

### CAUTION AND MAINTENANCE

- Never allow children to climb, stand, hang, or play on any part of monitor or stand.
- This product is intended for indoor use only. Using this product outdoors could lead to product failure and personal injury.
- Check that the bracket is secure and safe to use at regular intervals (at least every three months).

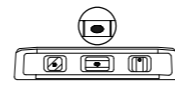
## Installation Tools (Not Included)



Band Tape  
2m

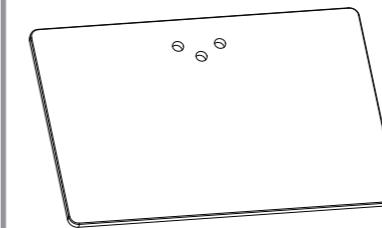


Screwdriver

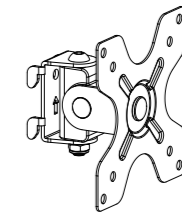


Bubble Level

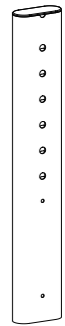
## Supplied Parts and Hardware



1 (x1)  
Base



2 (x1)  
Plate Component



3 (x1)  
Support Pillar

### Hardware (Product)

Bolt M6 x 30mm  A x3	Washer  x1 x1 B	Handle Bolt  C x1	Plastic Cover  D x1	Wire Clip  E x2	Foot Pad  F x4	Allen Key 4mm / 5mm  G x1
-------------------------------	--------------------------	-------------------------	---------------------------	-----------------------	----------------------	------------------------------------

### Hardware (Monitor)

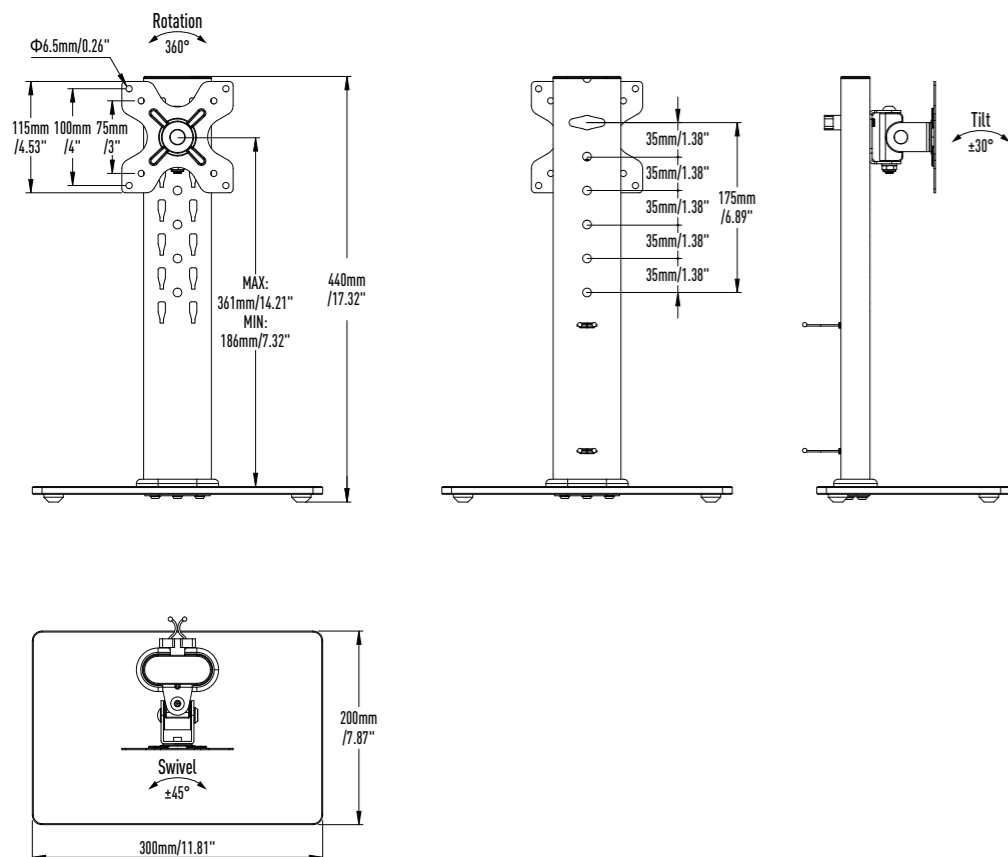
Philips Screws M4 x 12mm  MA x4	Philips Screws M4 x 30mm  MB x4	Spacers H13mm  MC x4	Spacers H5mm  MD x4
--	--	-------------------------------	------------------------------

NOTE: Not all hardware included will be used.

1

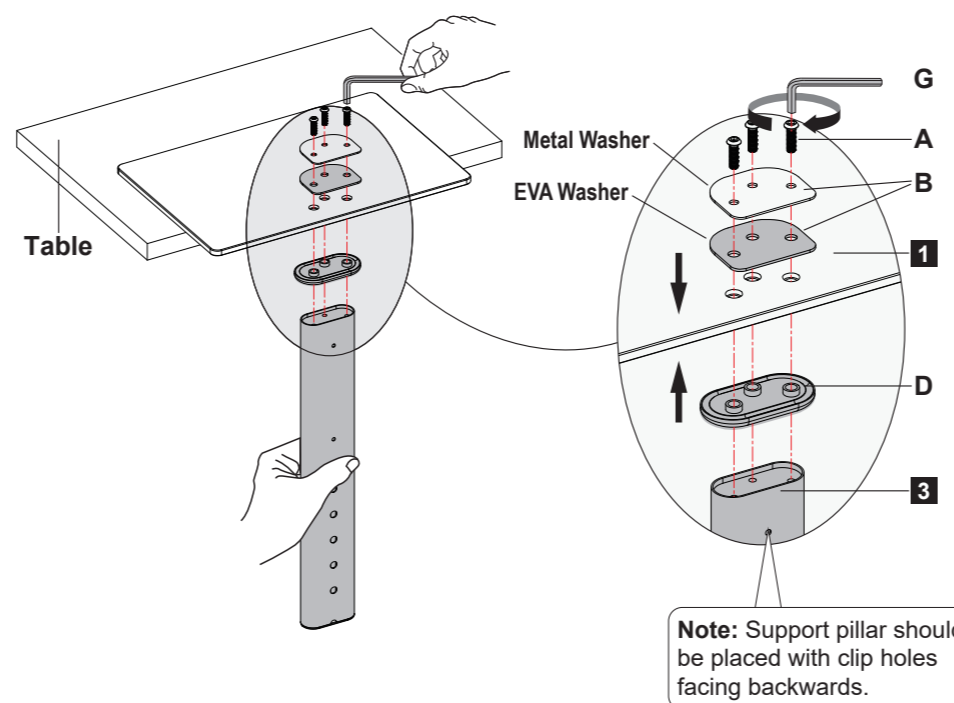
2

## Product Dimensions



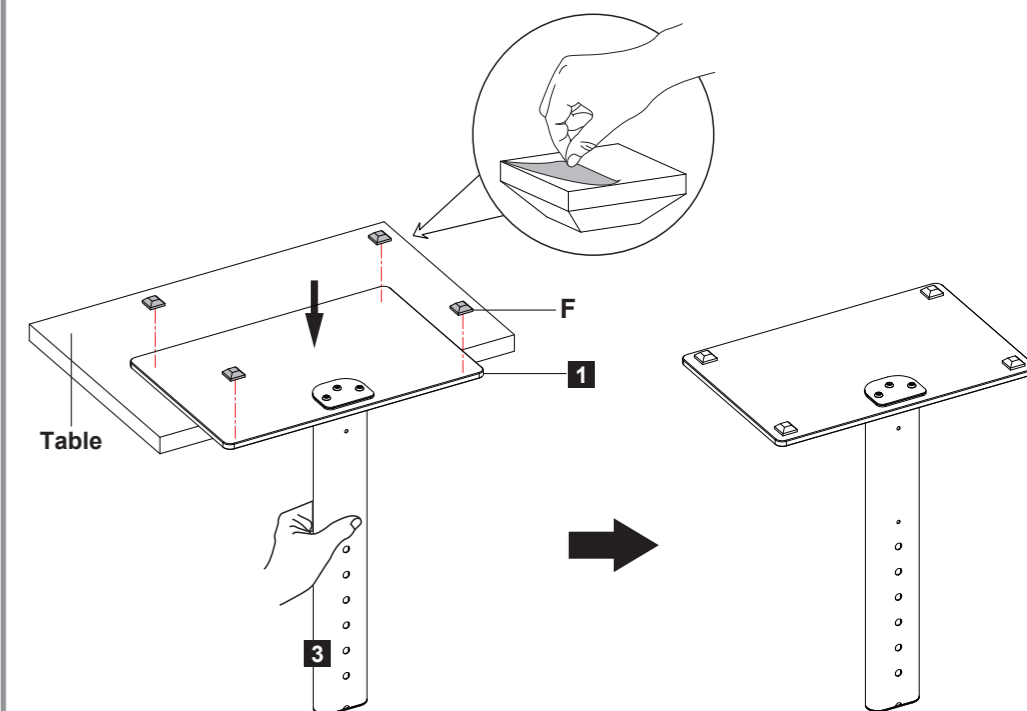
## STEP 1: Support Pillar Installation

Put Base 1 on the table; put Washers (B) and Bolts (A) on the base; keep clip holes of Support Pillar 3 toward backside then put Plastic Cover (D) and Support Pillar 3 under the base. Then tighten the bolts (A) with the 4mm allen key (G).



## STEP 2: Apply Foot Pads to the Base

Hold the Support Pillar 3 with one hand and tear off plastic film of Foot Pads (F), then attach Foot Pads (F) near four corners of the Base 1 bottom.



3

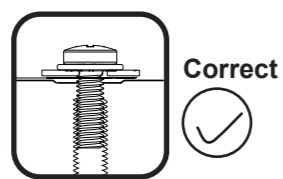
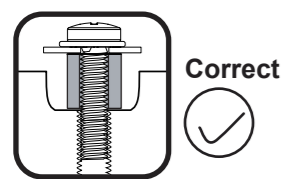
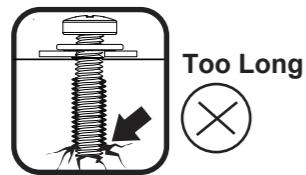
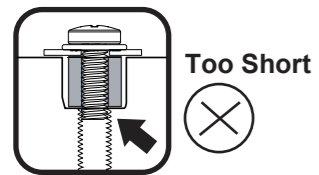
4

5

## STEP 3: Attach the Plate Component to Monitor

### 3-1 Select Monitor Screw Length

**!** When attaching plate to the flat screen, be careful not to over tighten screws and be sure that screws do not bottom out in the mounting holes.

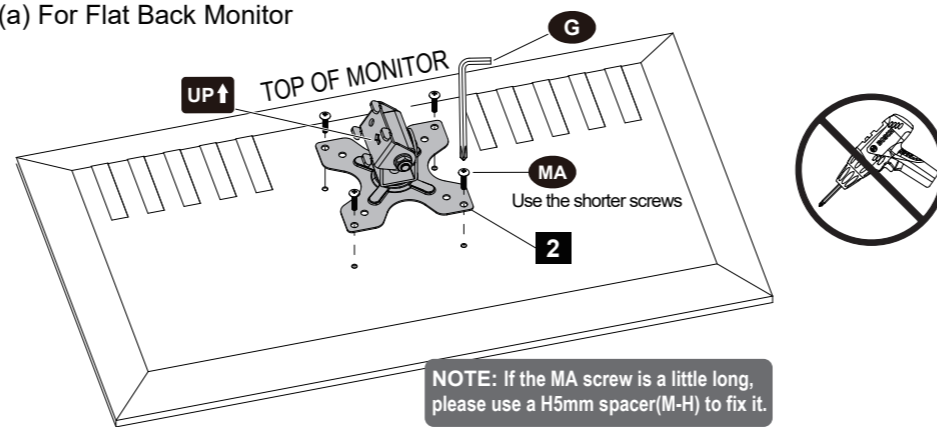


6

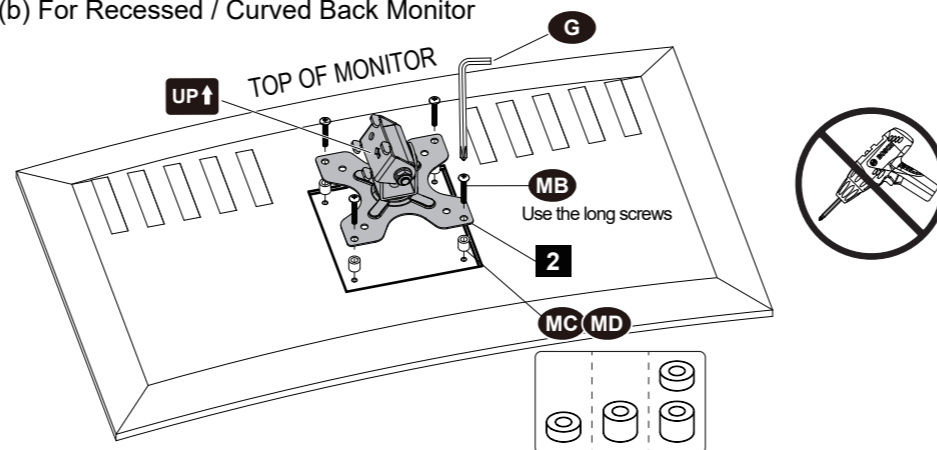
## STEP 3: (Continued)

### 3-2 Attach the Plate Component

(a) For Flat Back Monitor



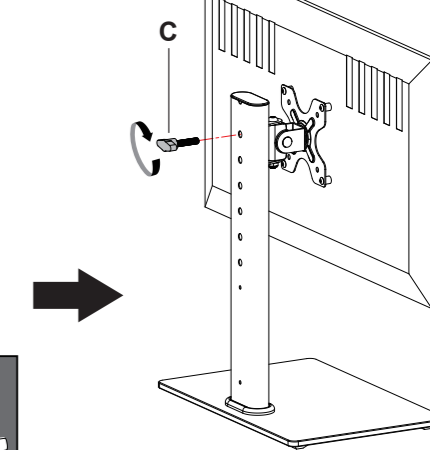
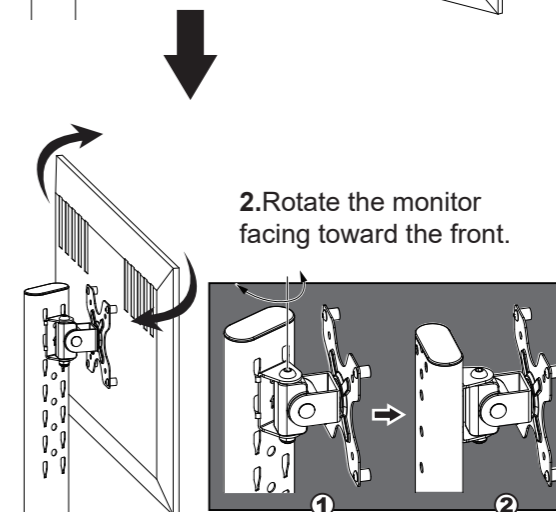
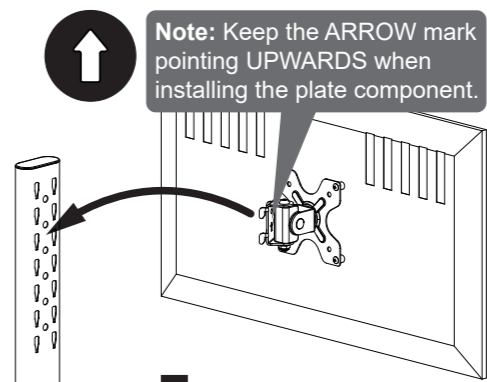
(b) For Recessed / Curved Back Monitor



7

## STEP 4: Attach Monitor with Plate Component to Pillar

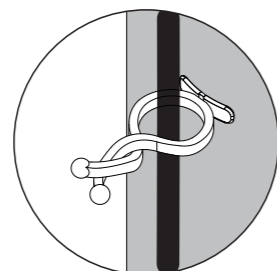
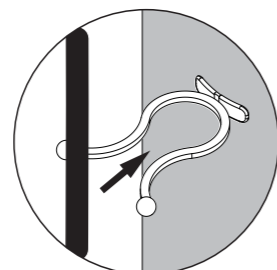
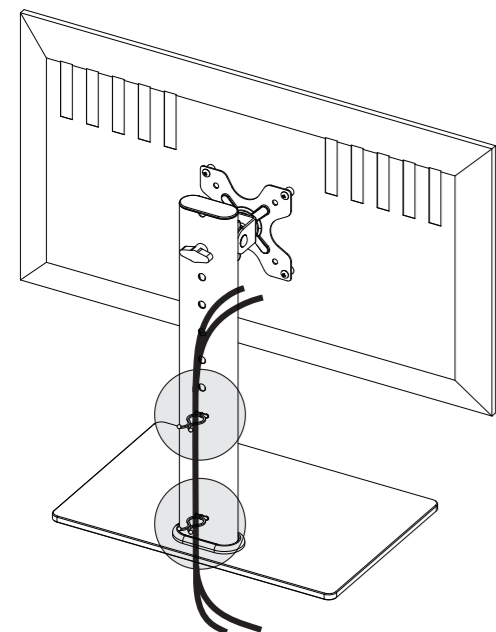
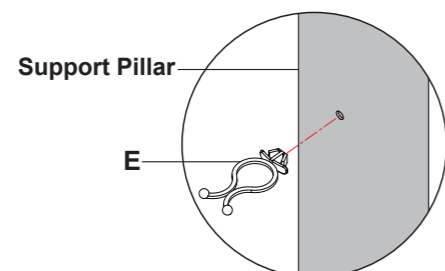
1. Choose the appropriate position for your monitors, hang the monitors onto the Support Pillar.



8

## STEP 5: Cable Management

Attach Wire Clips (E) into the holes of Support Pillar. Manage cables with the Wire Clips (E).

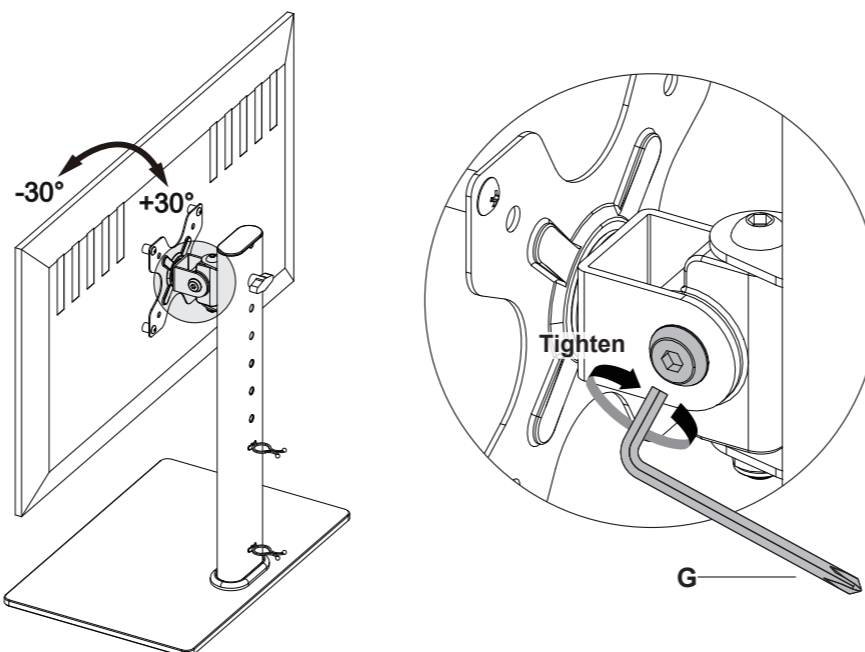


9

## STEP 6: Adjustments (If necessary)

### Tilt Adjustment

1. Slightly loosen tilting bolt with the Allen Key(H).
2. Hold the monitor with both hands and adjust monitor to your desired tilt angle.
3. Retighten tilting bolt to secure the monitor in place.

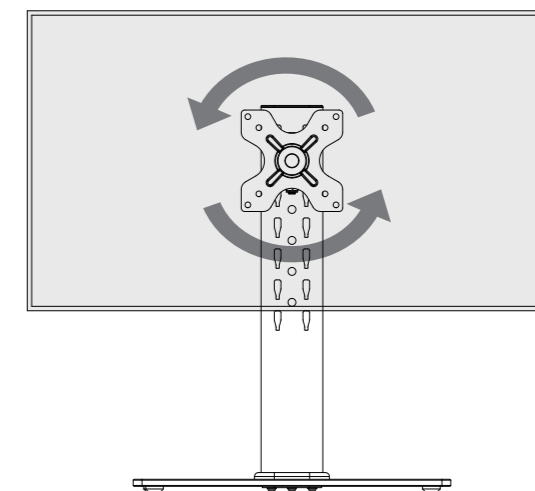


**Note:**  
When tilted, if the monitor sags or does not stay, and if the above method is useless, please feel free to contact our customer service.

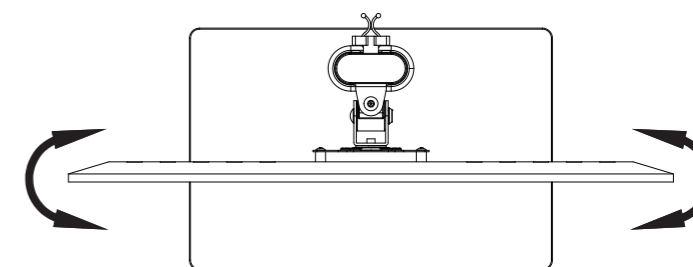
10

## STEP 6: Adjustments (If necessary)

### Leveling Adjustment



### Swivel Adjustment



11