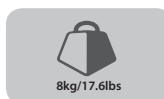
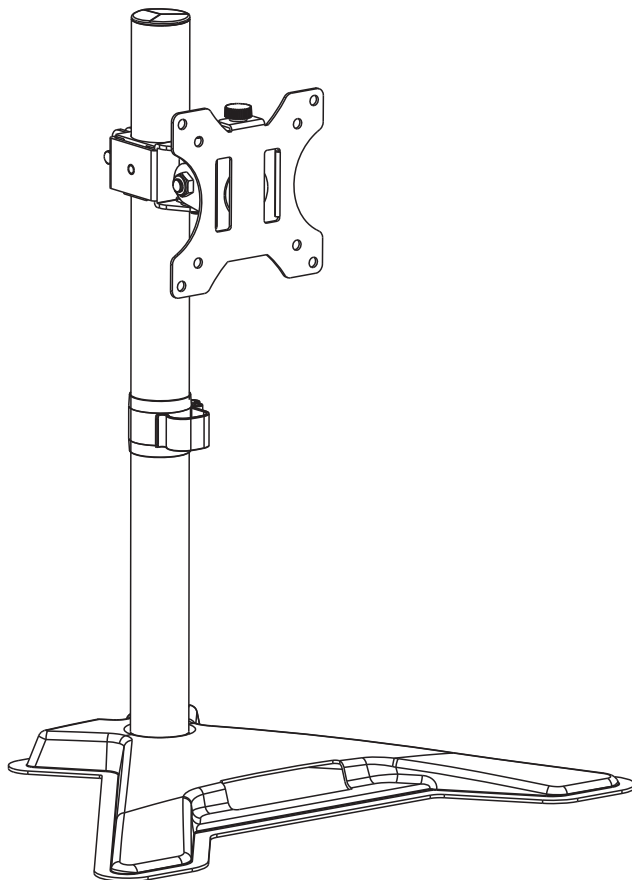


---

# Free Standing Single Monitor Stand

## Instruction Manual



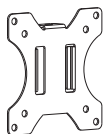
# **WARNING!**

If you have any confusions or are not quite sure about the installation, please do not hesitate to ask for our help.

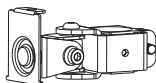
Before assembly, please check and make sure all necessary accessories are included and undamaged. Improper installation, such as use the product for monitors over its load capacity or for any purpose not explicitly specified, may cause damage or serious injury. We would not be liable for any damage or injury caused by improper mounting or inappropriate use.

The kit contains small items that could be choking hazards if swallowed. Please keep them OUT OF REACH OF CHILDREN UNDER 3 YEARS OLD. ADULT SUPERVISION IS REQUIRED.

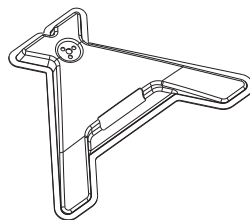
## PACKAGE CONTENTS



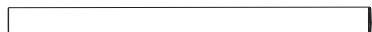
**A (x1)**  
VESA Plate



**B (x1)**  
Bracket



**C (x1)**  
Base



**D (x1)**  
Pole



**E (x1)**  
Cable Clip



**F (x1)**  
Thumbscrew



**G (x3)**  
Screw



**H (x1)**  
4mm Allen Key



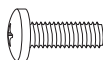
**I (x1)**  
6mm Allen Key



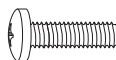
**M-A (x4)**  
M4 x 12mm



**M-B (x4)**  
M4 x 16mm



**M-C (x4)**  
M6 x 12mm



**M-D (x4)**  
M6 x 16mm



**M-E (x4)**  
D6 Washer



**M-F (x4)**  
Spacer H5mm

**NOTE:** Not all hardware included will be used.

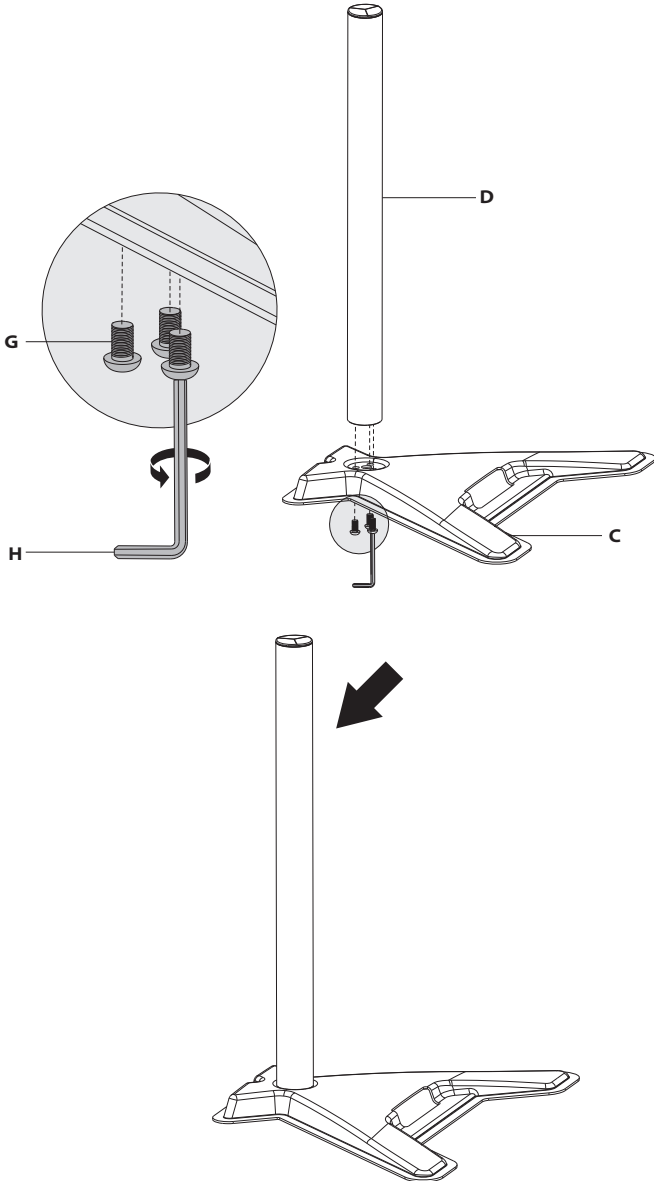


**DO NOT EXCEED WEIGHT CAPACITY.**

# ASSEMBLY STEPS

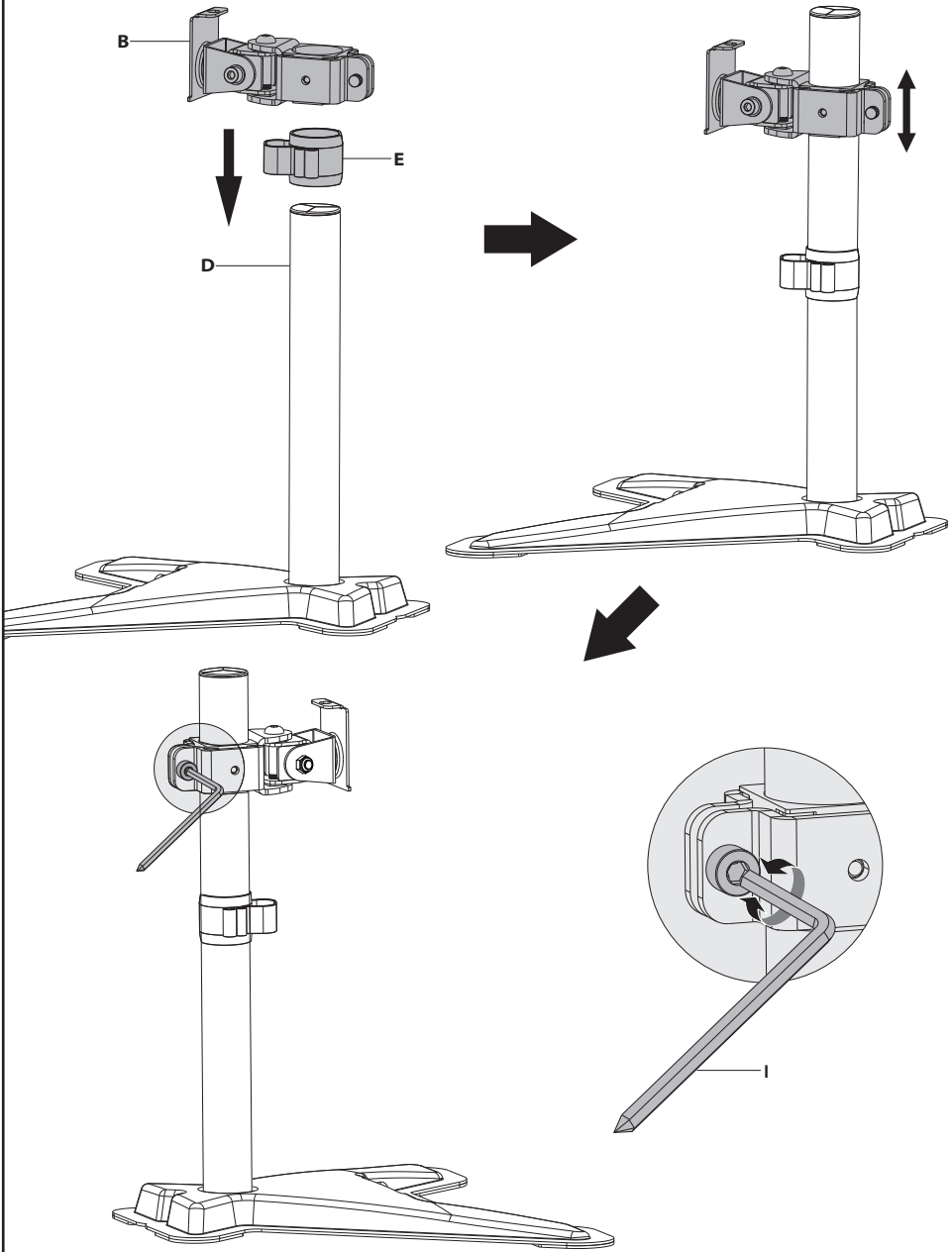
## STEP 1: Pole Installation

Use the 4mm Allen Key (H) to tighten the screws (G) into the pole (D) from the bottom of the base (C).



## STEP 2: Bracket Installation

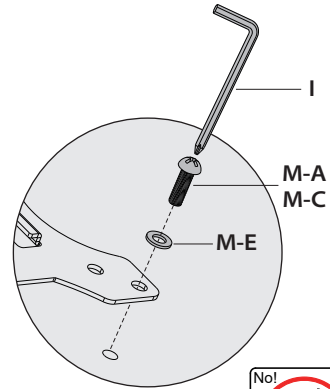
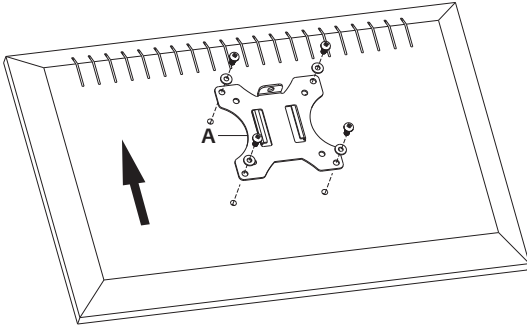
Slide the cable clip (E) onto the pole(D). Slide the mounting bracket (B) onto the pole(D).  
Tighten the mounting bracket (B) on the pole(D) using a 6mm Allen Key (I)



# STEP 3: Attach Monitor

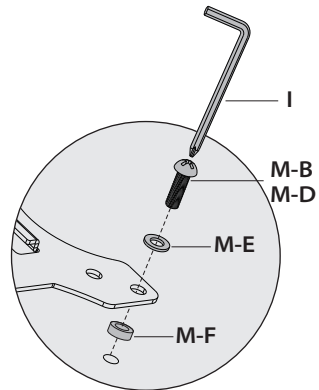
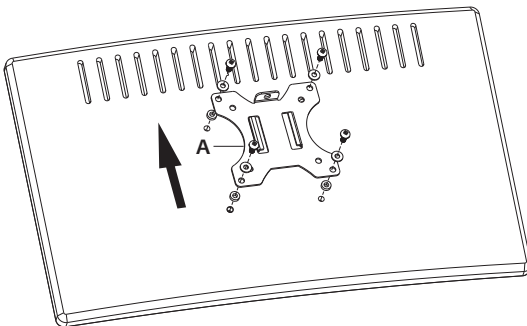
## OPTION A: Flat Back Monitor

Attach the VESA plate (A) to back of monitor and secure with screws(M-A)or(M-C) with washers(M-E) using 6 mm Allen Key (I). Do not tighten the screws excessively or your monitor might be damaged.



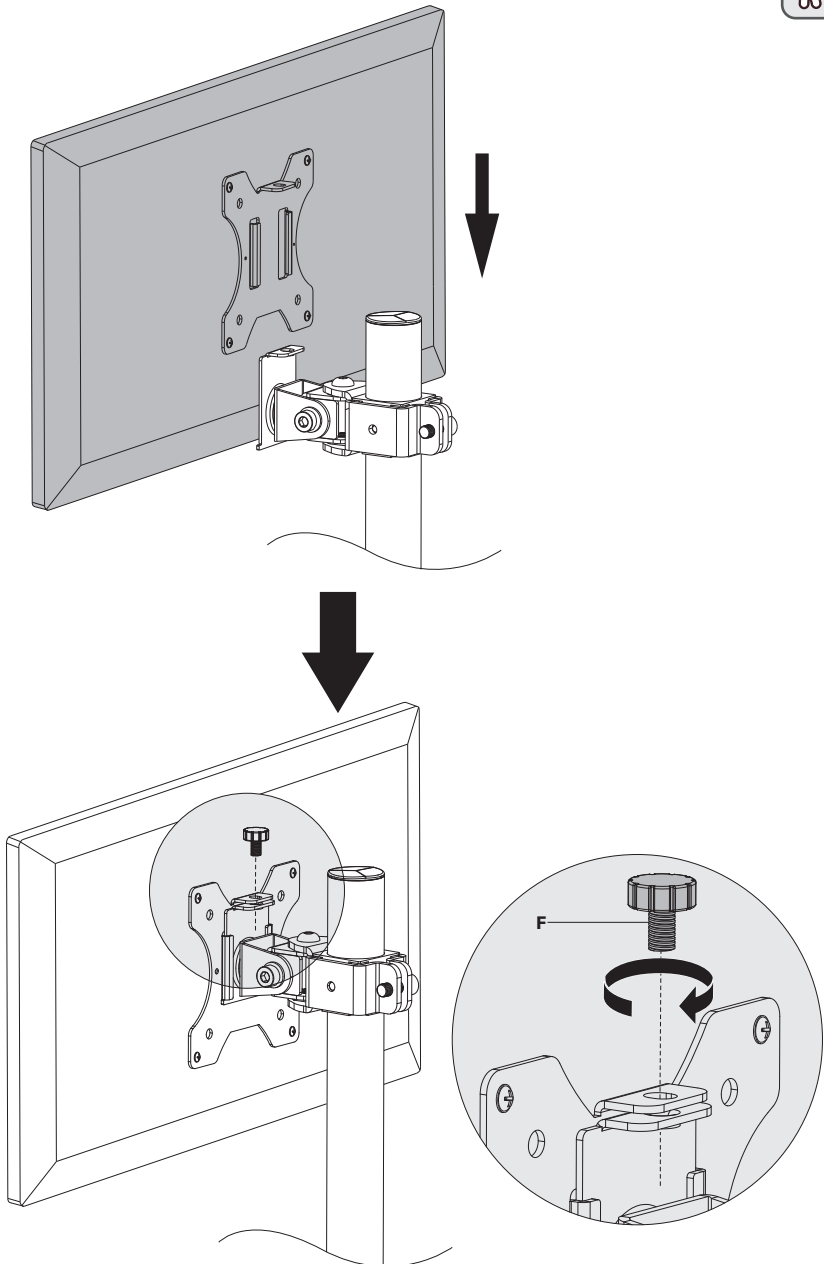
## OPTION B: Curved Back Monitor

Attach the VESA plate (A) to back of monitor and secure it with screws (M-B) or (M-D) and washers (M-E) and spacers (M-F) using 6 mm Allen Key (I). Do not tighten the screws excessively or it might damage your monitor.



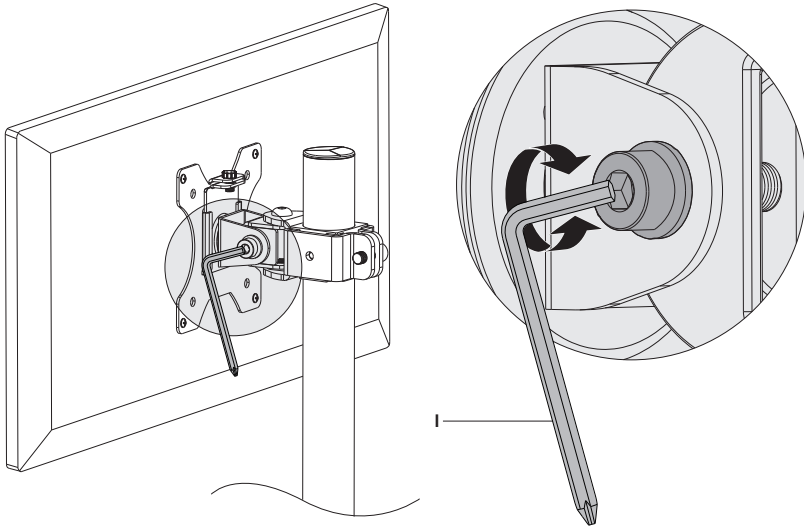
## STEP 4: Hang Monitor

Slide monitor with VESA plate onto mounting bracket.  
Secure with thumbscrew (F).



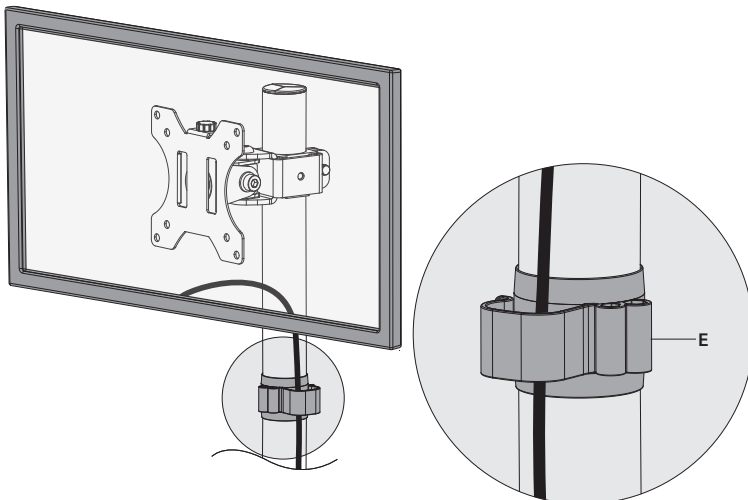
## STEP 5: Tilt Adjustment

Tighten or loosen tilt joint using 6mm Allen Key (I).



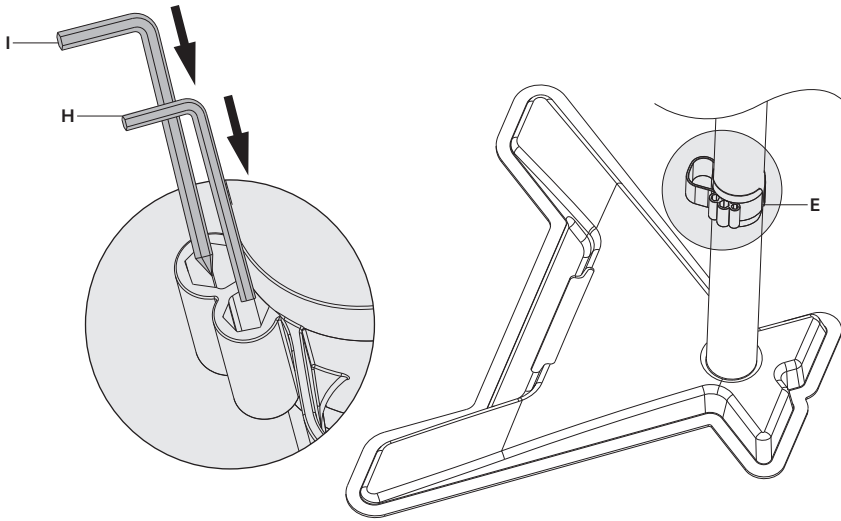
## STEP 6: Cable Management

Manage cables with installed cable clip (E).



## STEP 7: Tool Management

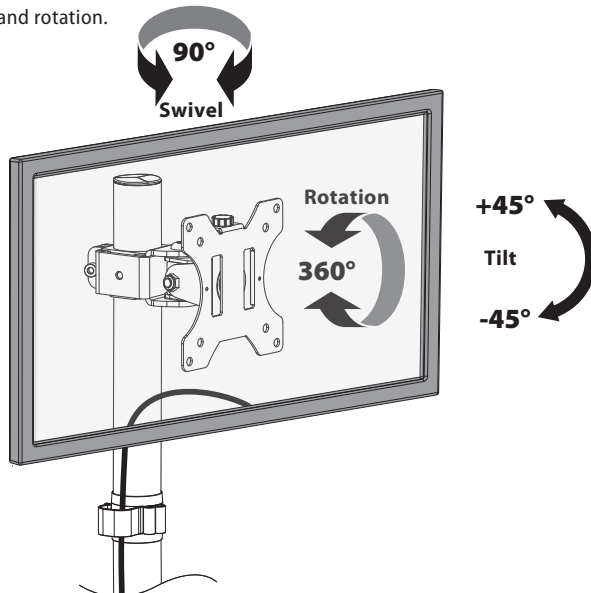
Store 4mm Allen Key (H) and 6mm Allen Key (I) in cable clip (E).



## STEP 8: Adjust as Desired

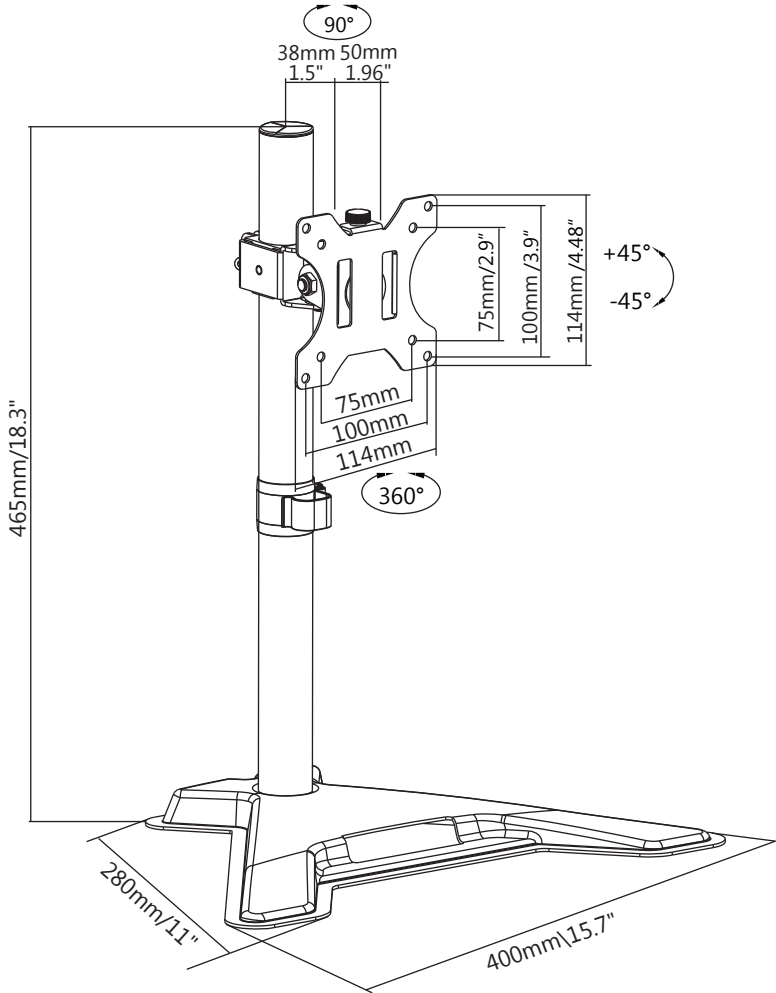
Adjust monitor position and rotation.

- Tilt
- Swivel
- Rotation





# Product Dimensions





### **CAUTION AND MAINTENANCE:**

- Never allow children to climb, stand, hang, or play on any part of monitor or stand.
- This product is intended for indoor use only. Using this product outdoors could lead to product failure and personal injury.
- Check that the bracket is secure and safe to use at regular intervals (at least every three months).