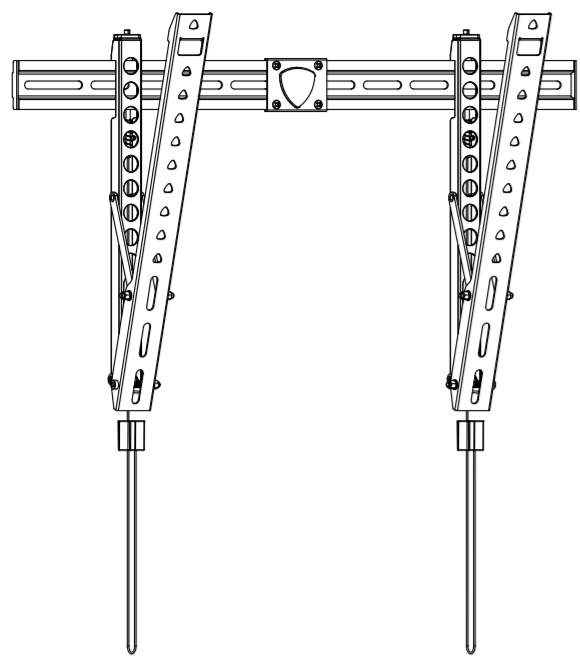


INSTALLATION INSTRUCTION

UST-600-X_US1.0



If you have any questions, please feel free to contact our customer support before returning.

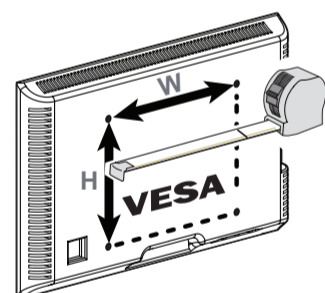
Safety Caution

Please read this instruction carefully before installation. If you do not understand these instructions or have doubts about the safety of the installation, assembly or use of this product, please contact us.

- This product is designed for use in wood stud or solid concrete wall.
 - DO NOT install into drywall alone.**
 - The wall must be capable of supporting five times the weight of the TV and mount combined.
 - Incorrect installation may result in product damage / property damage or body injury.
- We shall bear no responsibility for any damage or injury resulted from incorrect installation, incorrect assembly or misuse.

WARNING: This product contains small items that could be a choking hazard if swallowed. Before starting assembly, verify all parts are included and undamaged. If any parts are missing or damaged, do not return the damaged item to your dealer; please contact our customer service team. Never use damaged parts!

Must Check Before Getting Started



Minimum VESA Pattern (W × H):
100mm × 100mm / 4 in × 4 in

Maximum VESA Pattern (W × H):
600mm × 400mm / 24 in × 16 in

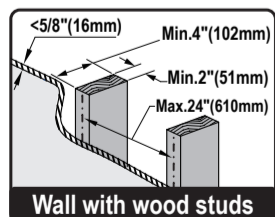


MAX:
99 lbs (45 kg)

WARNING

DO NOT exceed the maximum weight indicated. This mounting system is intended for use only within the maximum weights indicated. Use with products heavier than the maximum weights indicated may result in failure of the mount and its accessories, causing possible damage or injury.

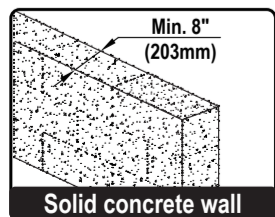
Verify Your Wall Construction



Wall with wood studs



CAUTION: Avoid potential personal injuries and property damage! Drywall covering the wall must not exceed 5/8 in. (16 mm). Minimum wood stud size: nominal 2 x 4 in. (51 x 102 mm) actual 1 1/2 x 3 1/2 in. (38 x 89 mm).



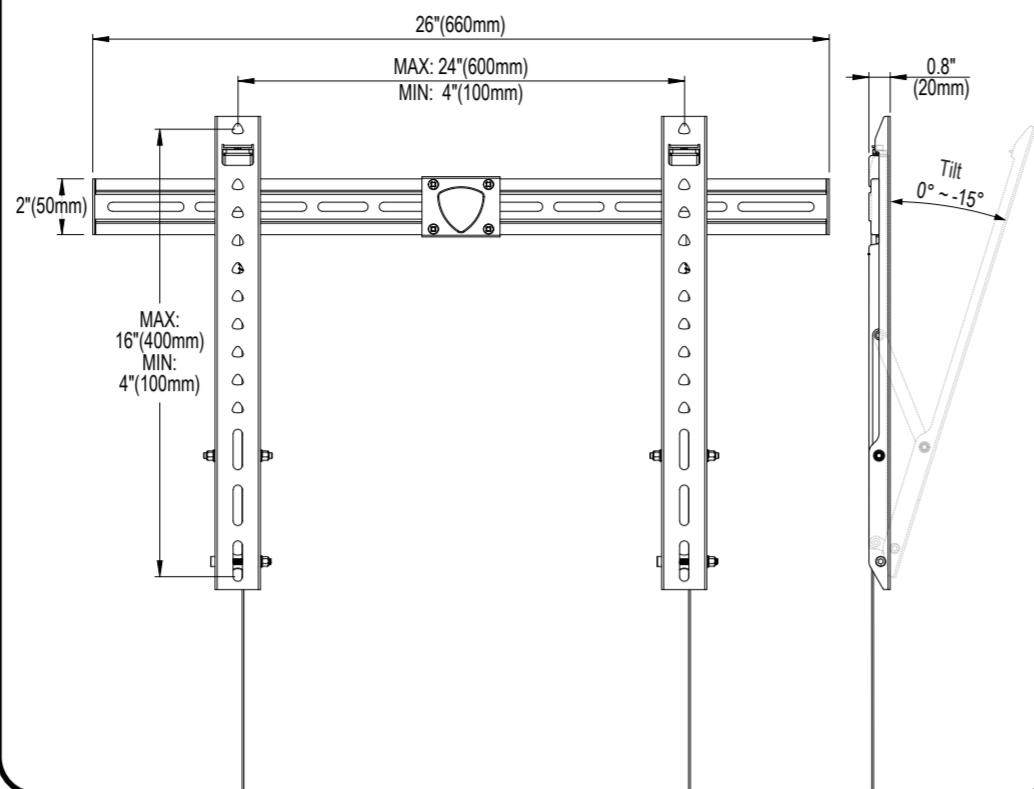
Solid concrete wall



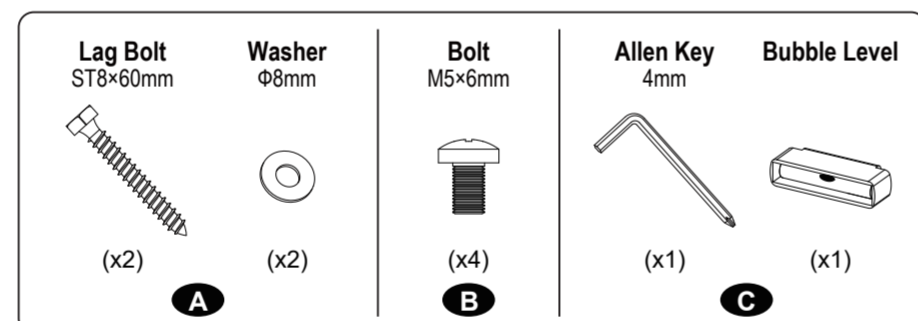
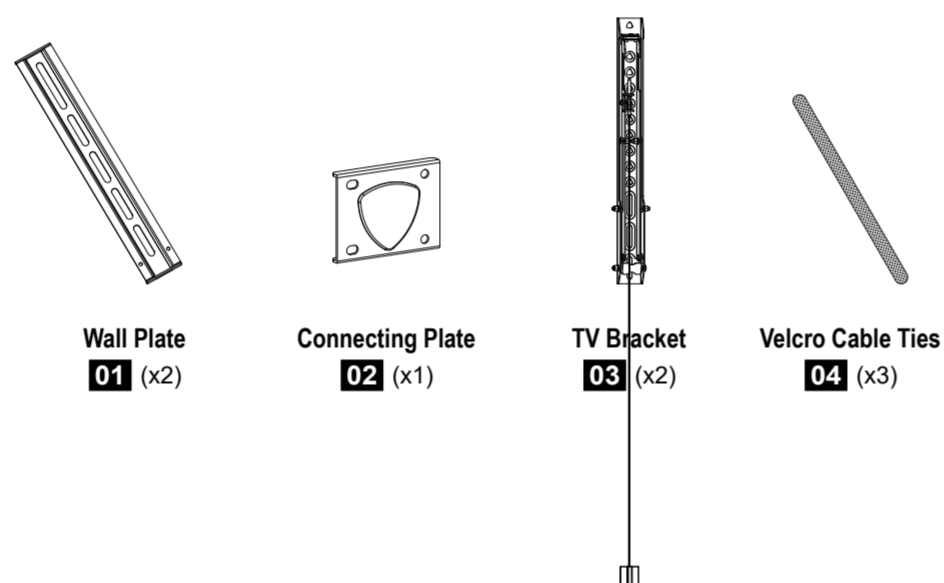
CAUTION: Avoid potential personal injuries and property damage! Mount the wall plate assembly directly onto the concrete surface (no surface covering).

CAUTION: DO NOT install into drywall alone.

Product Dimensions



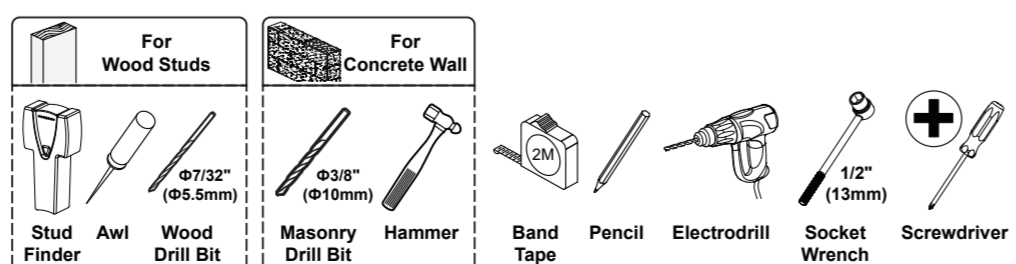
Supplied Parts and Hardware



TV					
Philips Screws M4 x 12mm M4 x 30mm	Philips Screws M6 x 15mm M6 x 30mm	Philips Screws M8 x 25mm M8 x 45mm	Spacers H10mm	Washers Φ6mm M4-5-6	Spacers H5mm
x4 x4 MA	x4 x4 MB	x4 x4 MC	x8 MD	x4 ME	x8 MF

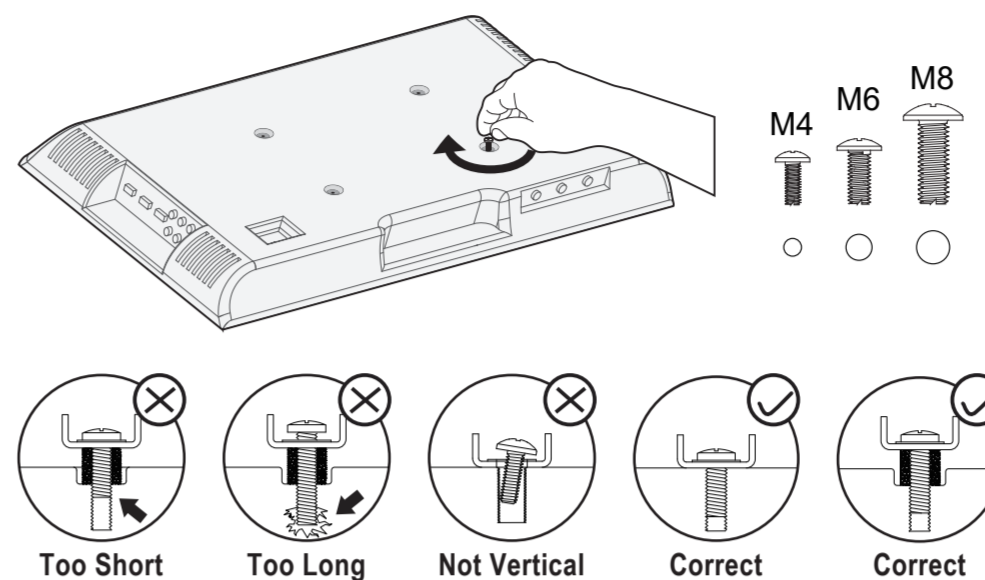
NOTE: Not all parts and hardware included will be used.

Extra Tools You Need (Not Supplied)



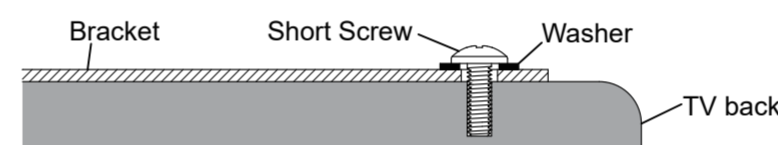
1 Select TV Screws and Spacers

1-1 Select TV Screws

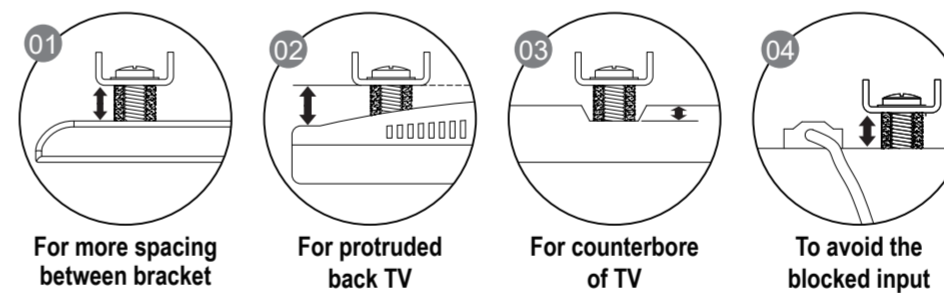
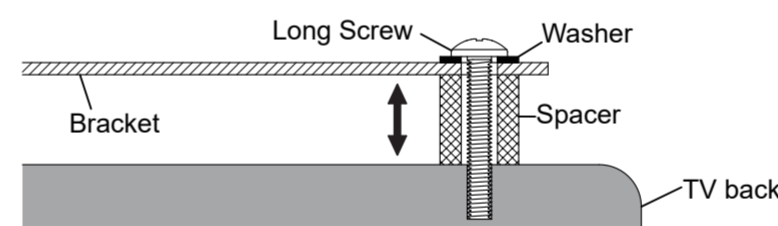


1-2 Need Spacer?

I No, just choose the screws, washers.

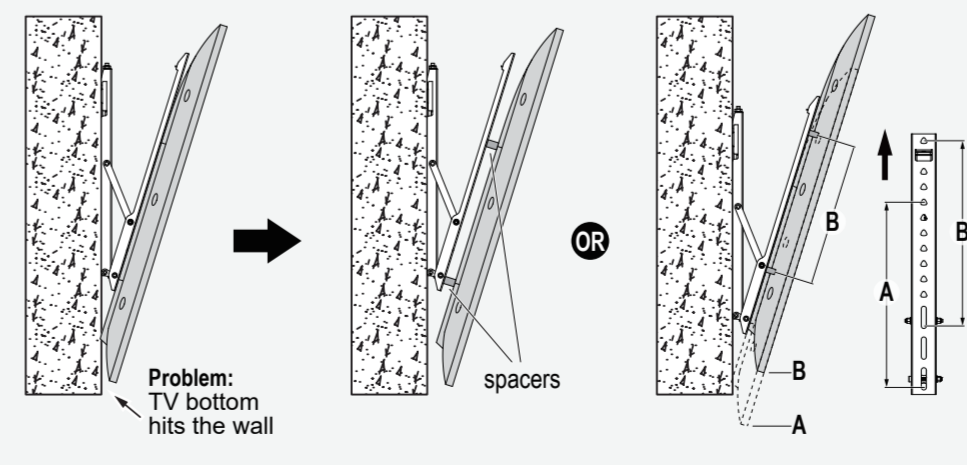


II Yes, choose the appropriate screws, washers, and spacers for your TV.

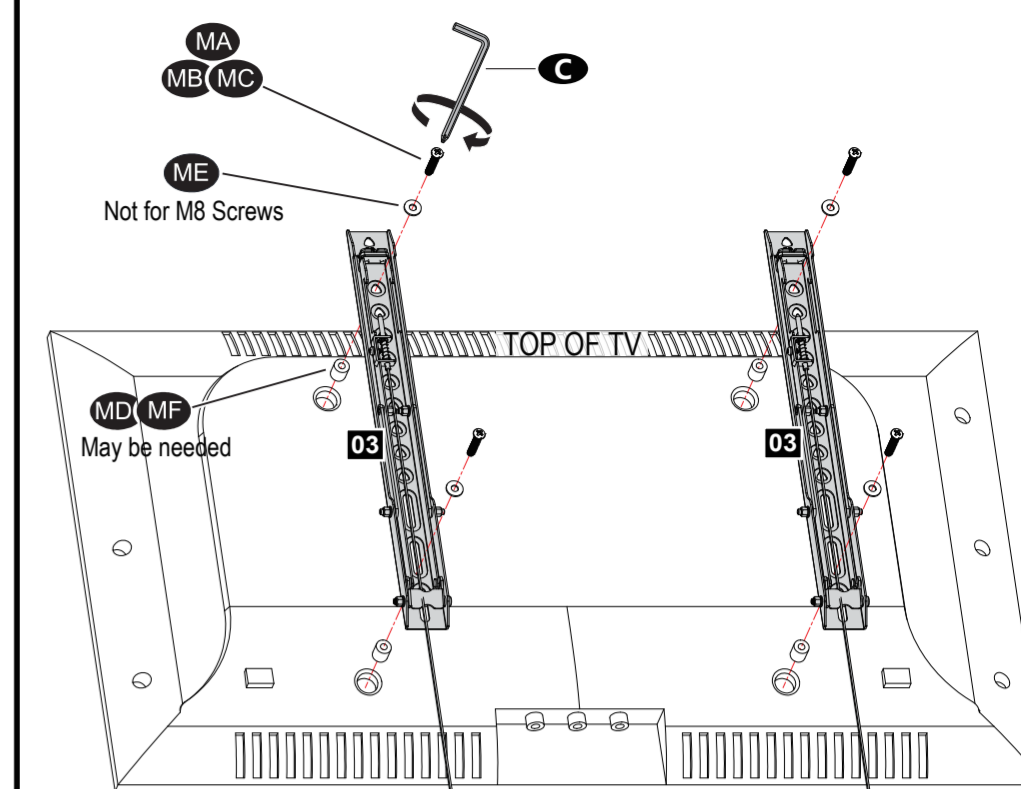


For more spacing between bracket and TV
For protruded back TV
For counterbore of TV
To avoid the blocked input

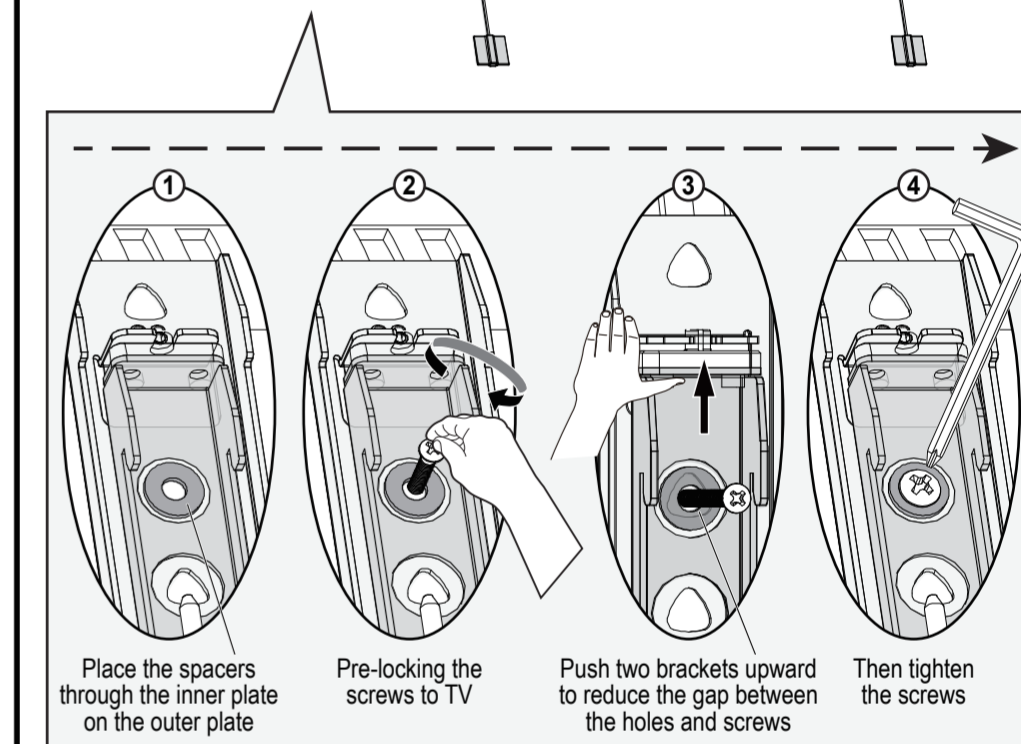
NOTE: You can add spacers or use upper mounting holes to get more bottom space.



2 Attach Brackets to TV

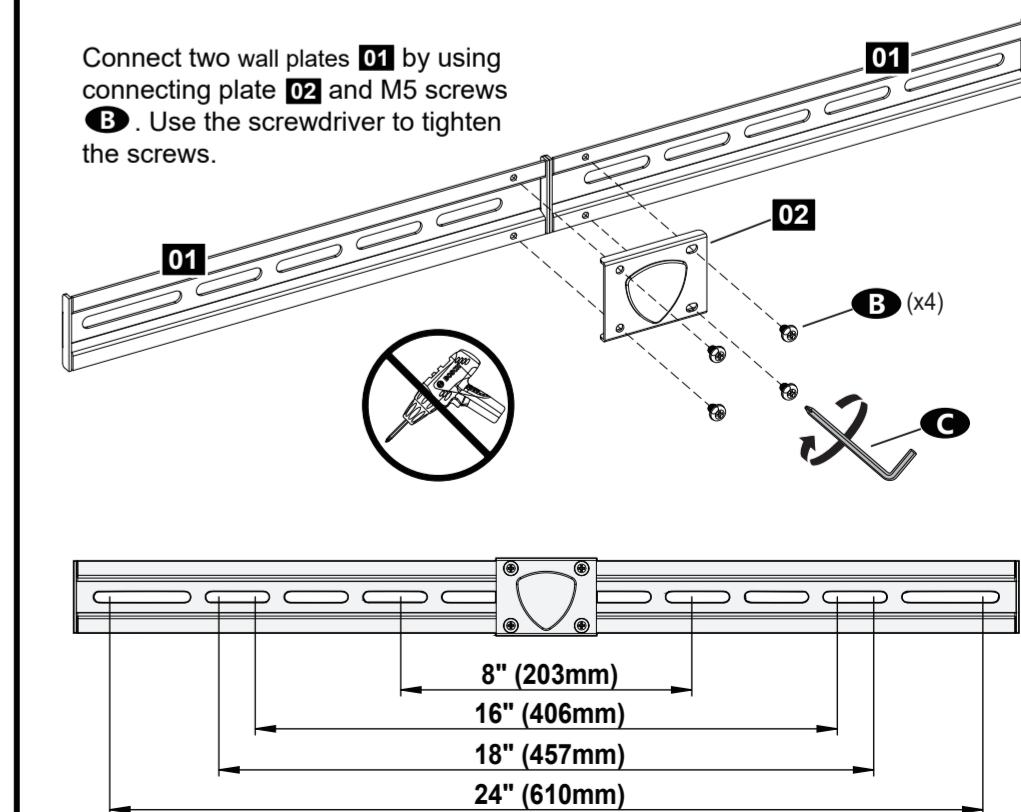


Do not tighten the screws excessively or tighten them by using the Electrodrill, or your TV might be damaged.



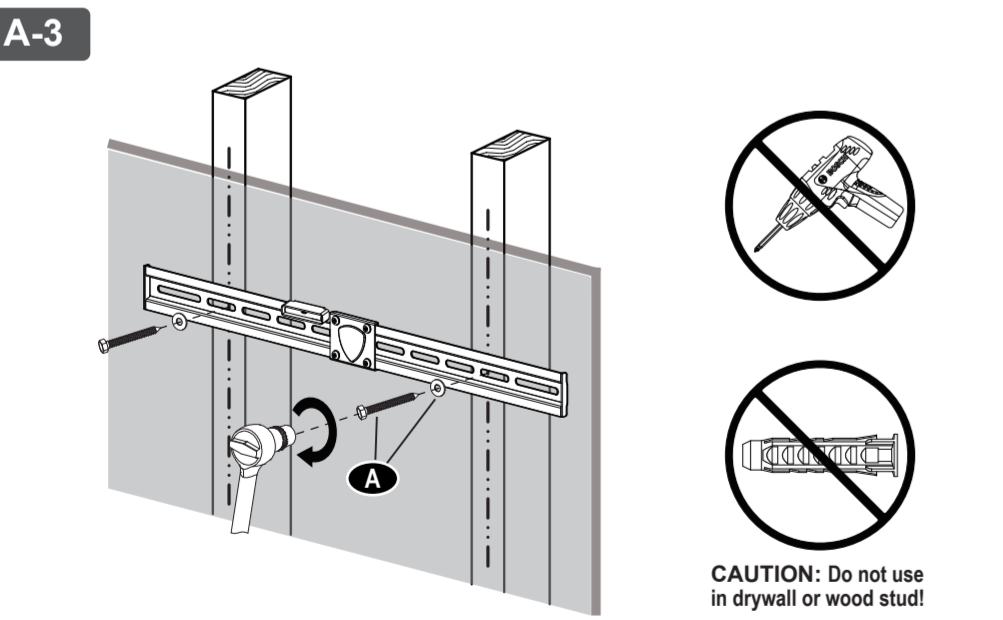
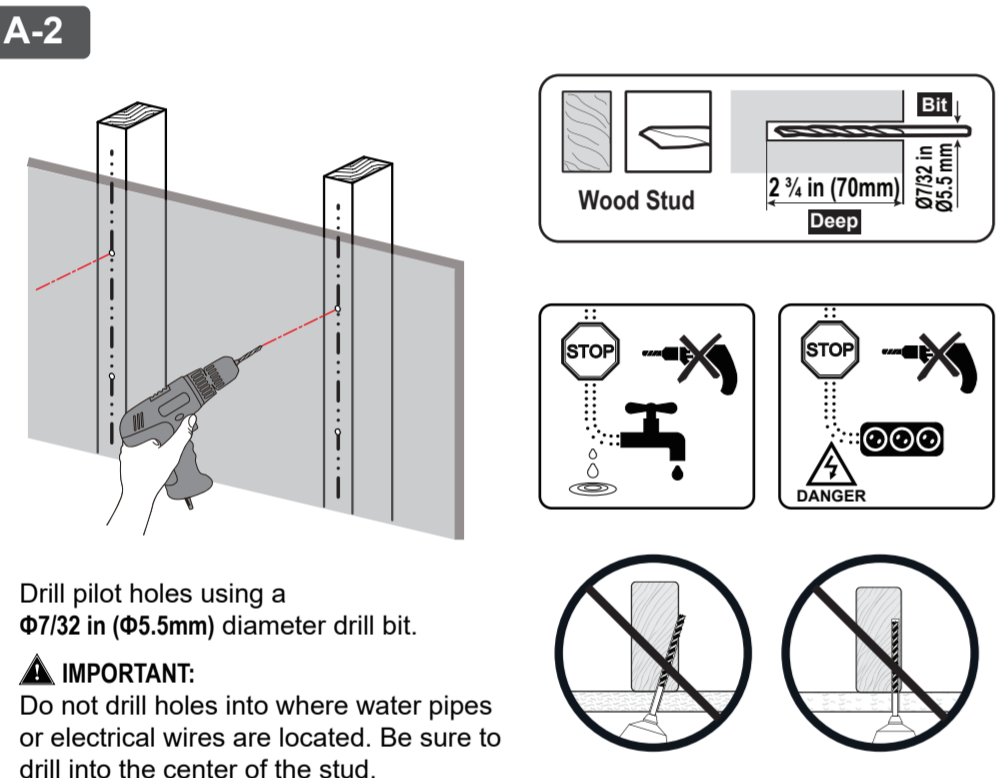
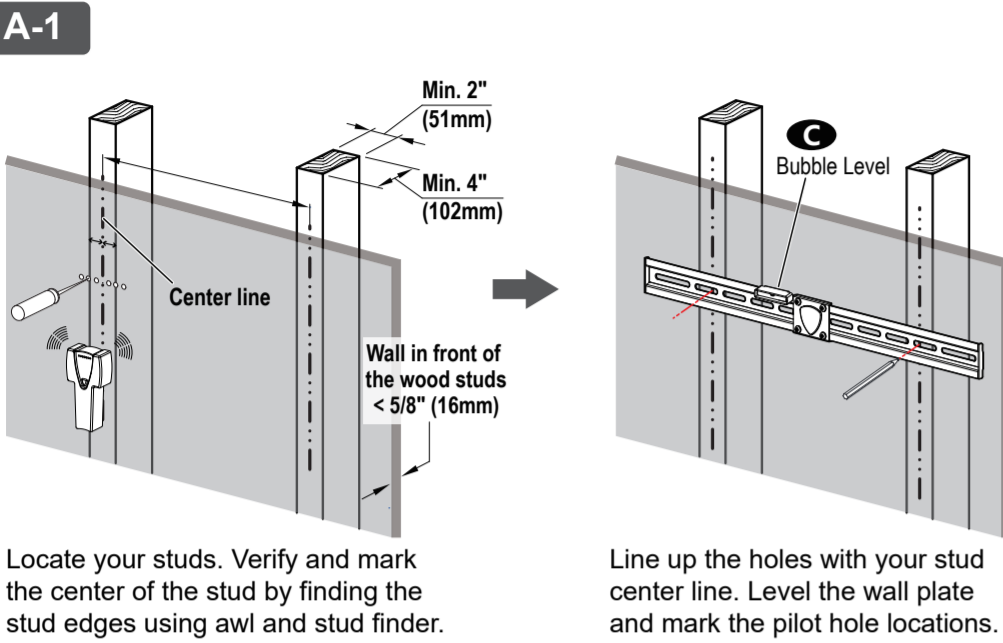
3 Assemble Wall Plate

Connect two wall plates **01** by using connecting plate **02** and M5 screws **B**. Use the screwdriver to tighten the screws.



3-A Attach Wall Plate to Wall

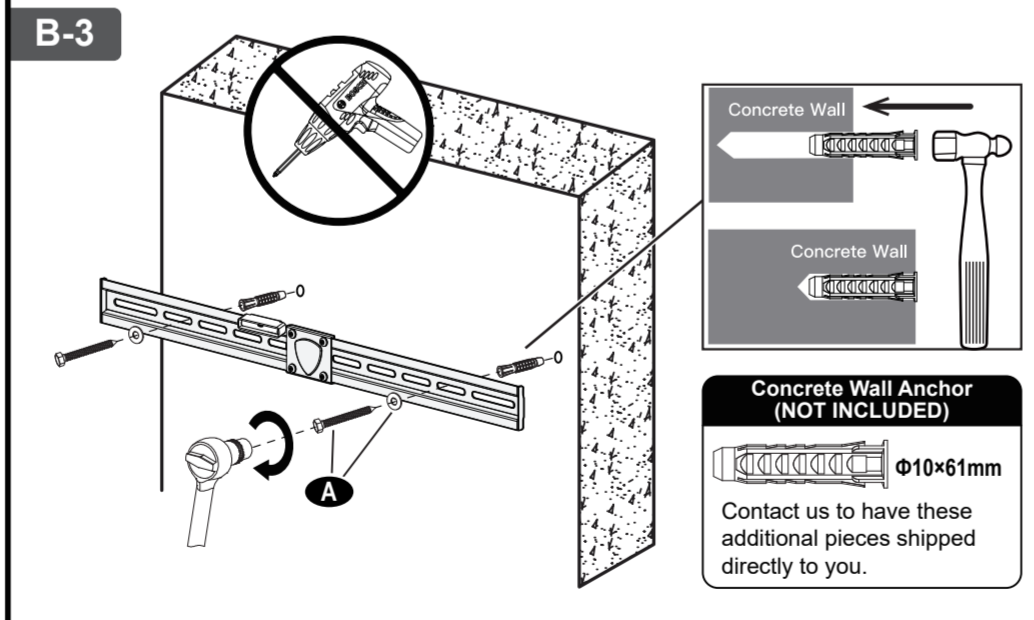
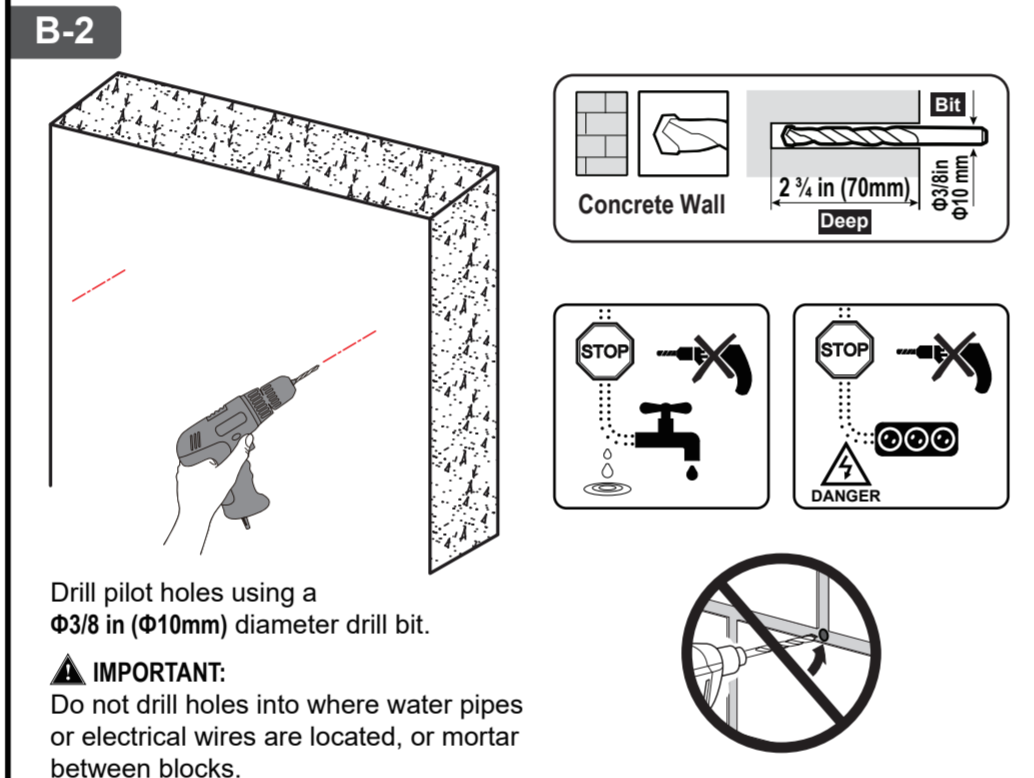
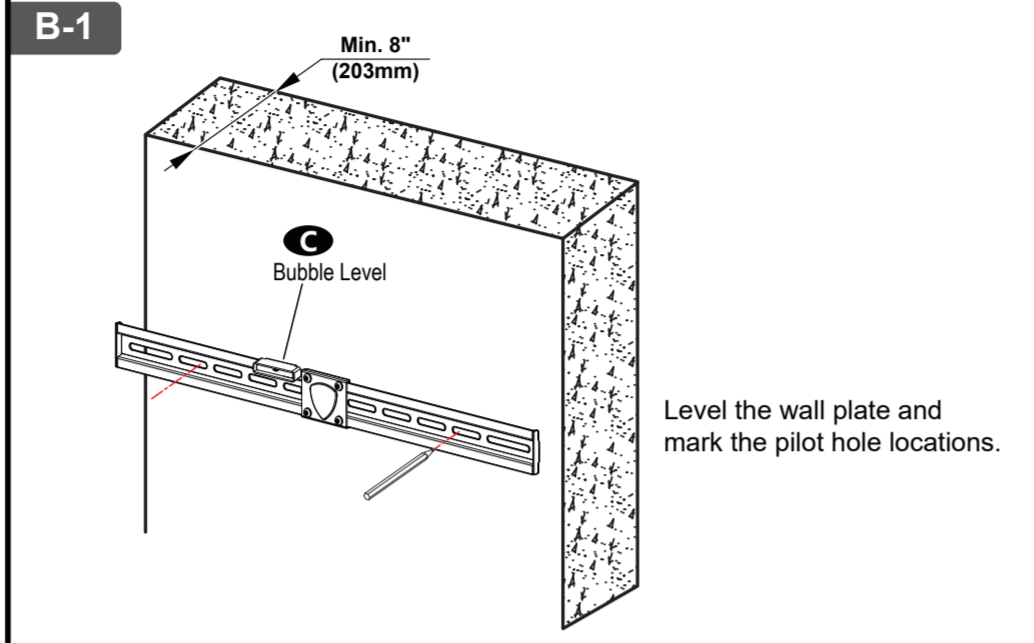
OPTION A: Wood Stud Installation



CAUTION: To avoid potential personal injury or property damage: All 2 lag bolts **A** **MUST BE** firmly tightened to prevent unwanted movement of the wall plate assembly. Ensure the wall plate assembly is securely fastened to the wall before continuing on to the next step.

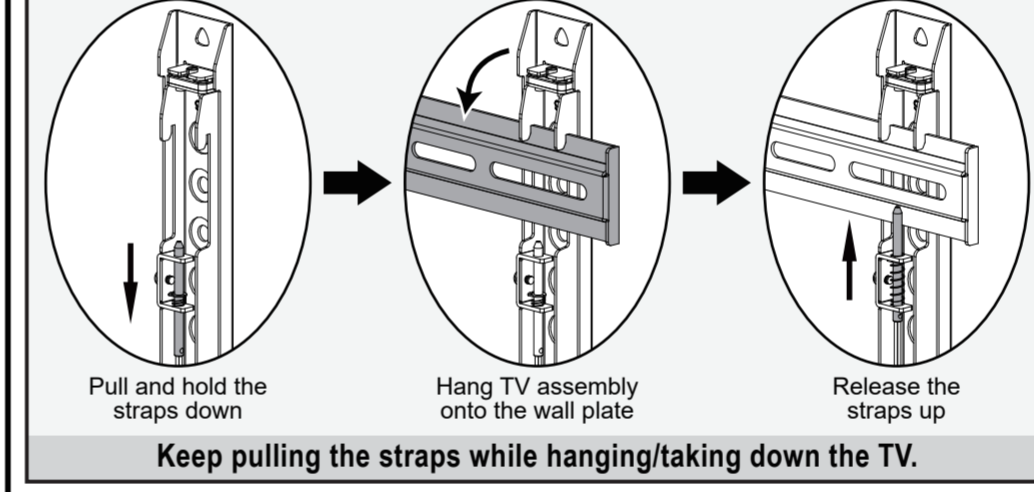
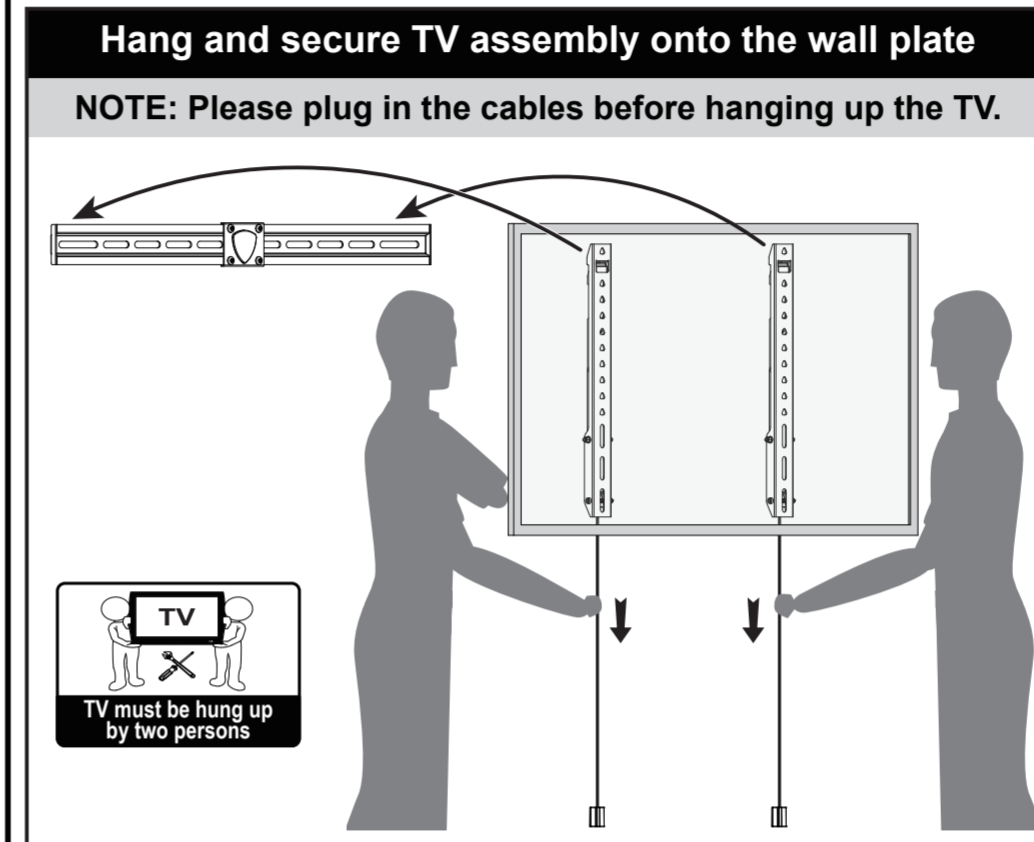
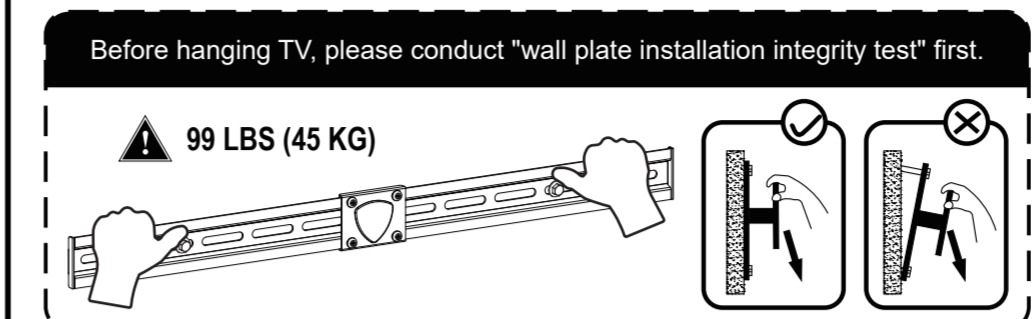
3-B Attach Wall Plate to Wall

OPTION B: Solid Concrete Wall Installation

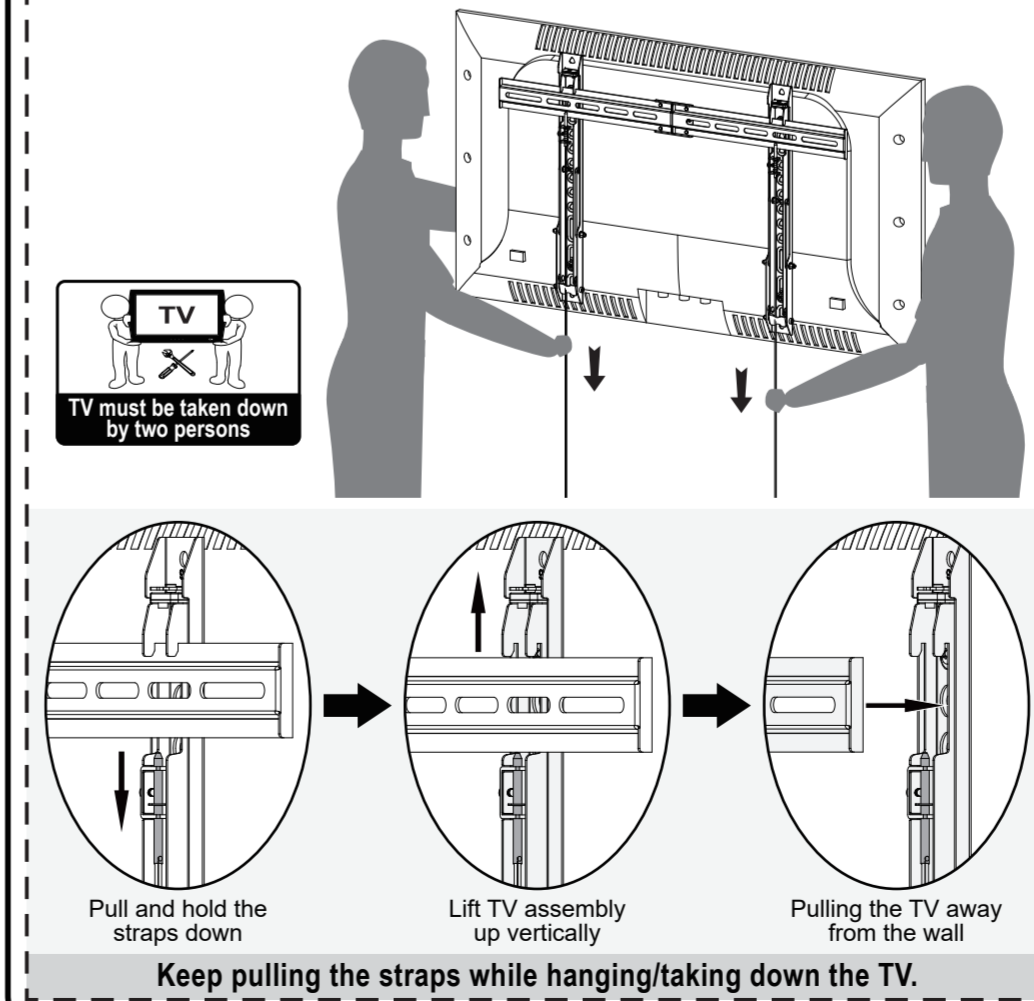


CAUTION: To avoid potential personal injury or property damage: All 2 lag bolts **A** **MUST BE** firmly tightened to prevent unwanted movement of the wall plate assembly. Ensure the wall plate assembly is securely fastened to the wall before continuing on to the next step.

5 Hang and Secure TV to Wall Plate

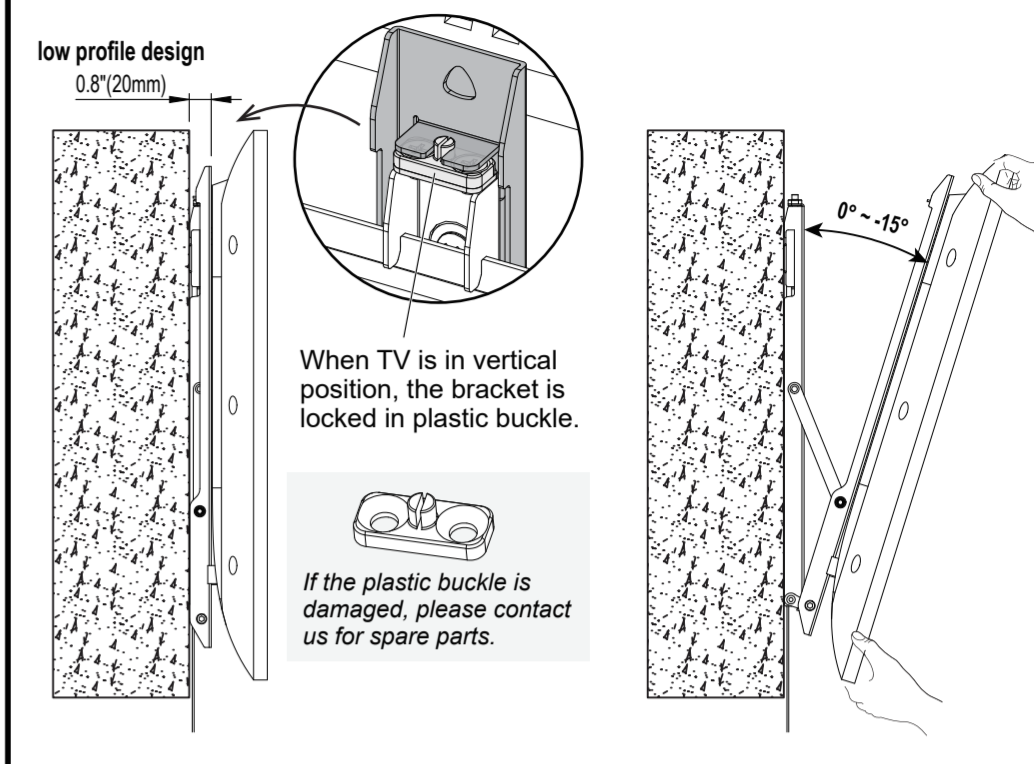


If necessary Take down the TV from the Mount

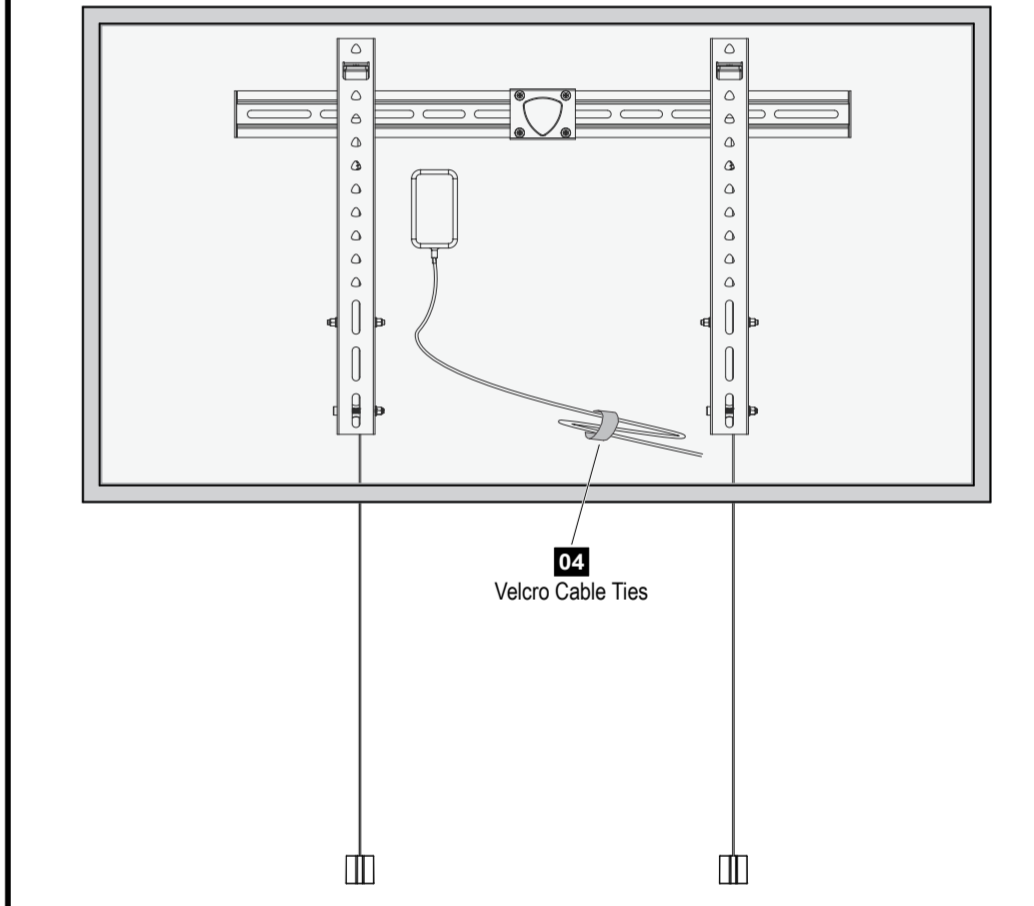


6 Adjustments (If necessary)

6-1 Tool-free Tilting Adjustment



6-2 Cable Management



6-3 Straps Management

