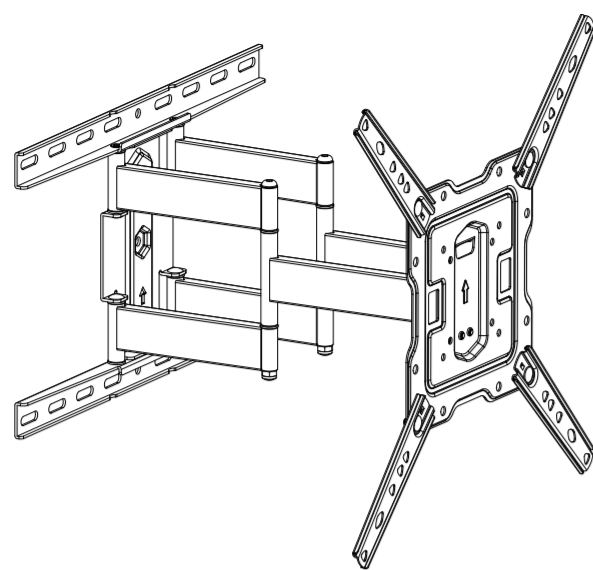


# INSTALLATION INSTRUCTION

YZ2352\_US1.0



If you have any questions, please feel free to contact our customer support before returning.

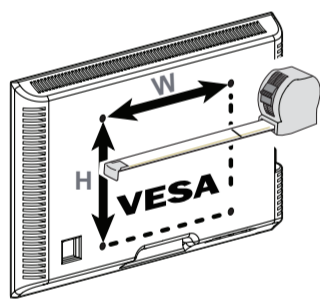
## Safety Caution

Please read this instruction carefully before installation. If you do not understand these instructions or have doubts about the safety of the installation, assembly or use of this product, please contact us.

- This product is designed for use in wood stud or solid concrete wall.
  - **- DO NOT install into drywall alone.**
  - The wall must be capable of supporting five times the weight of the TV and mount combined.
  - Incorrect installation may result in product damage / property damage or body injury.
- We shall bear no responsibility for any damage or injury resulted from incorrect installation, incorrect assembly or misuse.

**WARNING:** This product contains small items that could be a choking hazard if swallowed. Before starting assembly, verify all parts are included and undamaged. If any parts are missing or damaged, do not return the damaged item to your dealer; please contact our customer service team. Never use damaged parts!

## Must Check Before Getting Started



Minimum VESA Pattern (W x H):  
75mm x 75mm / 3 in x 3 in

Maximum VESA Pattern (W x H):  
400mm x 400mm / 16 in x 16 in

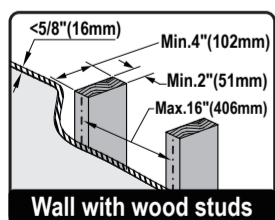


MAX:  
88 lbs (40 kg)

### WARNING

DO NOT exceed the maximum weight indicated. This mounting system is intended for use only within the maximum weights indicated. Use with products heavier than the maximum weights indicated may result in failure of the mount and its accessories, causing possible damage or injury.

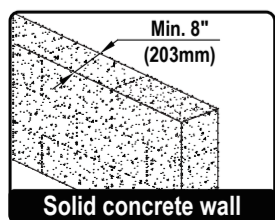
## Verify Your Wall Construction



Wall with wood studs



**CAUTION:** Avoid potential personal injuries and property damage! Drywall covering the wall must not exceed 5/8 in. (16 mm). Minimum wood stud size: nominal 2 x 4 in. (51 x 102 mm) actual 1 1/2 x 3 1/2 in. (38 x 89 mm).



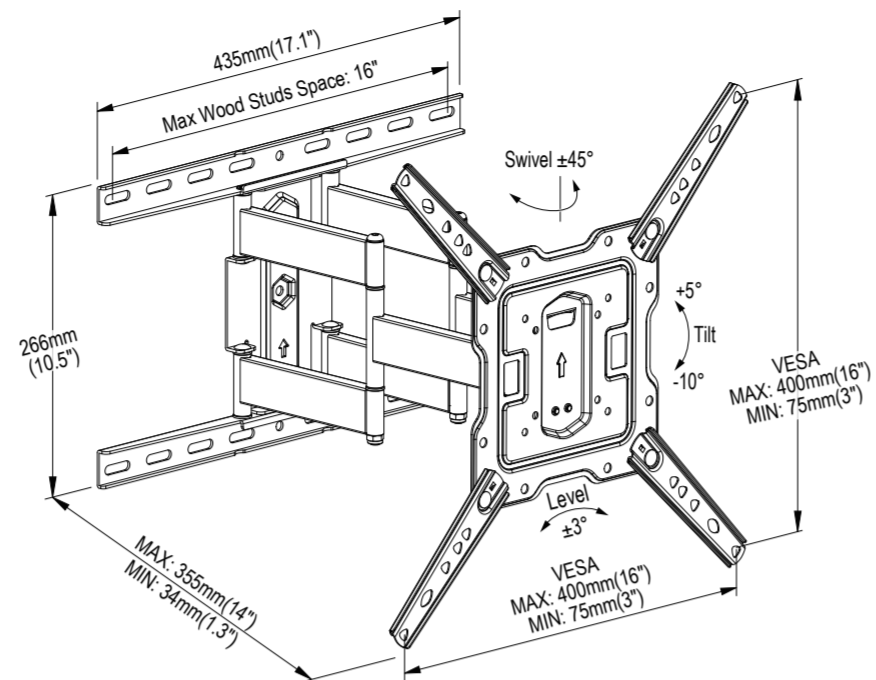
Solid concrete wall



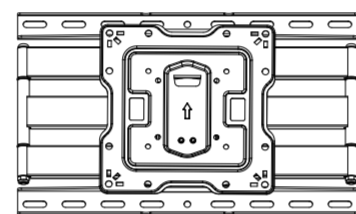
**CAUTION:** Avoid potential personal injuries and property damage! Mount the wall plate assembly directly onto the concrete surface (no surface covering).

**CAUTION:** DO NOT install into drywall alone.

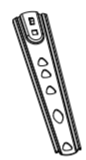
## Product Dimensions



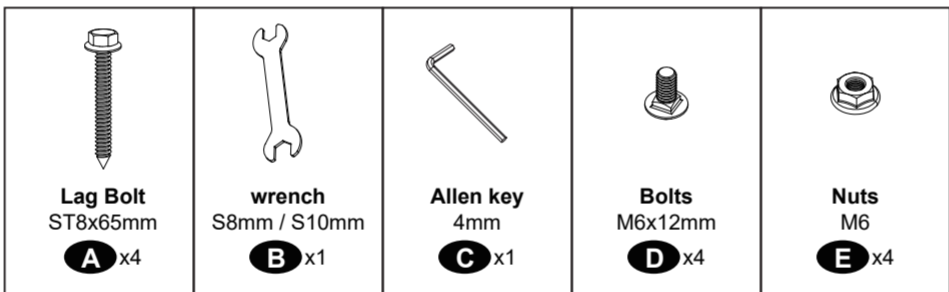
## Supplied Parts and Hardware



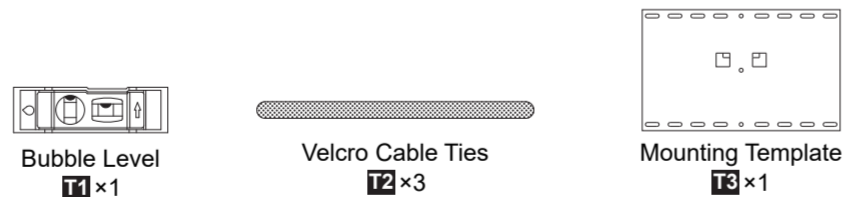
Mount  
01 x1



Extenders  
02 x4

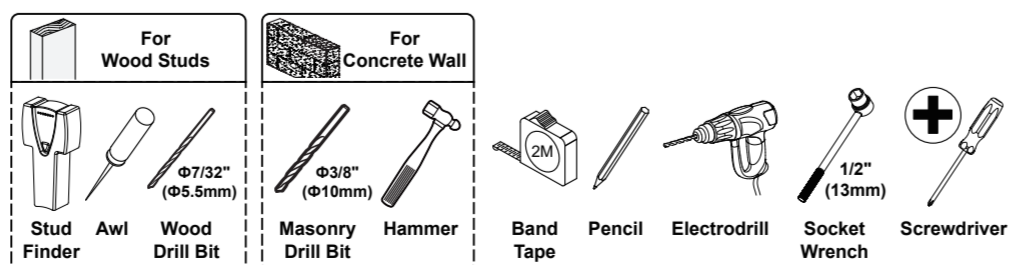


TV					
Philips Screws M4 x 12mm M4 x 30mm	Philips Screws M6 x 15mm M6 x 30mm	Philips Screws M8 x 25mm M8 x 45mm	Spacers H10mm	Washers Φ6mm M4-5-6	Spacers H5mm
x4	x4	x4	x8	x4	x8



**NOTE:** Not all parts and hardware included will be used.

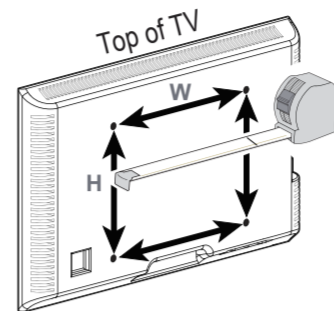
## Extra Tools You Need (Not Supplied)



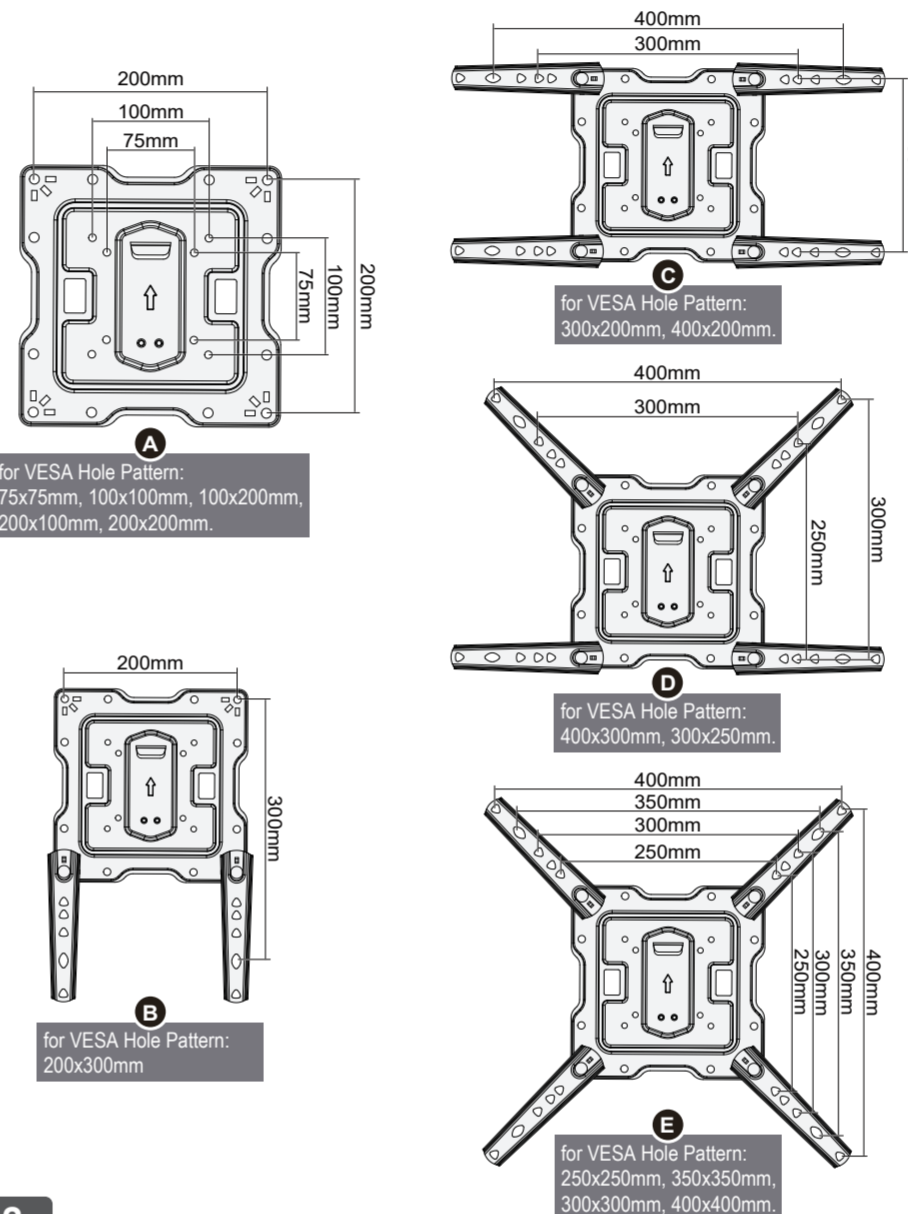
# 1 Attach VESA Plate to TV

## 1-1 Select VESA Plate Configuration

Measure the width and the height of the square or rectangle formed from the VESA holes pattern. Select the configuration to use based on the measurement from TV.



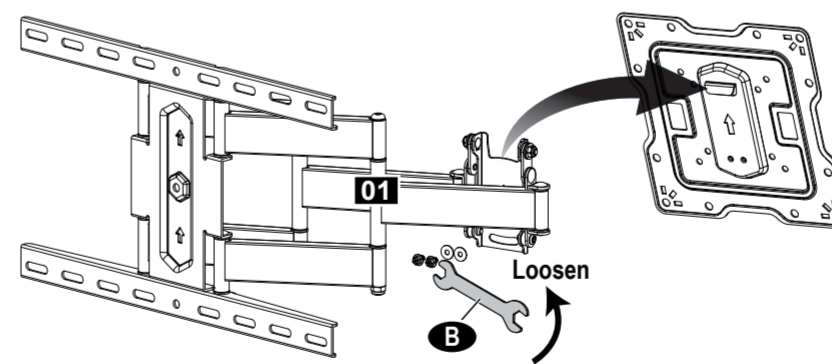
VESA Pattern (WxH)	Configuration	VESA Pattern (WxH)	Configuration
75mm x 75mm	A	400mm x 200mm	C
100mm x 100mm	A	400mm x 300mm	D
100mm x 200mm	A	300mm x 250mm	D
200mm x 100mm	A	250mm x 250mm	E
200mm x 200mm	A	350mm x 350mm	E
200mm x 300mm	B	300mm x 300mm	E
300mm x 200mm	C	400mm x 400mm	E



## 1-2

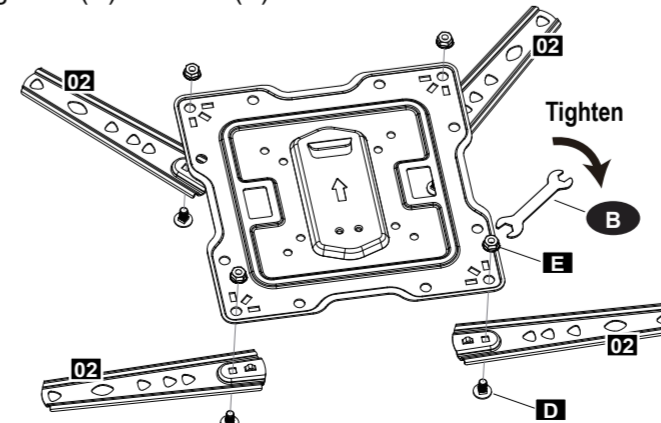
### Disassemble VESA Plate

Remove 2 preassembled screws and washers, save them for using to next step, then detach the VESA plate from the mount (01).



### Assemble VESA Plate and Extenders (When VESA > 200mm)

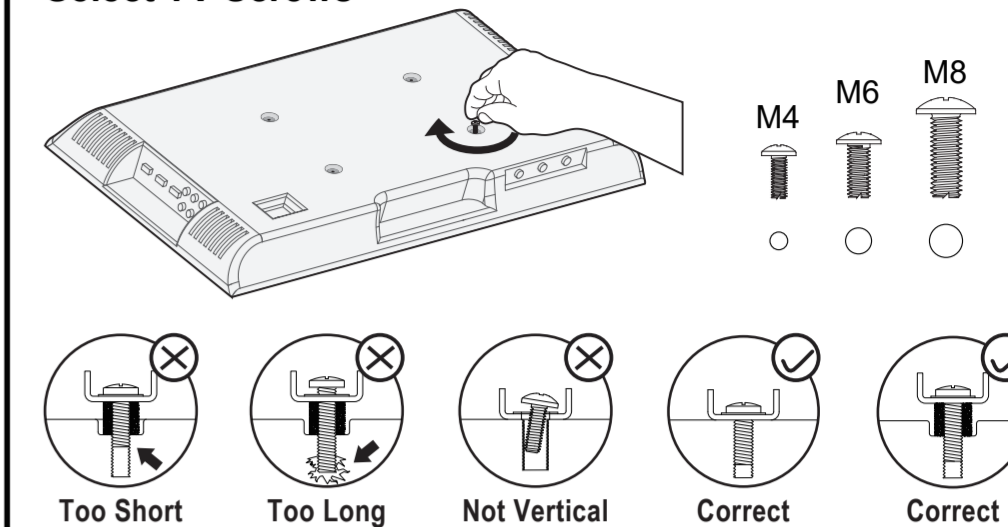
If your TV hole pattern is greater than 200x200mm, attach extenders (02) to VESA plate using bolts (D) and nuts (E).



# 1 (Continued)

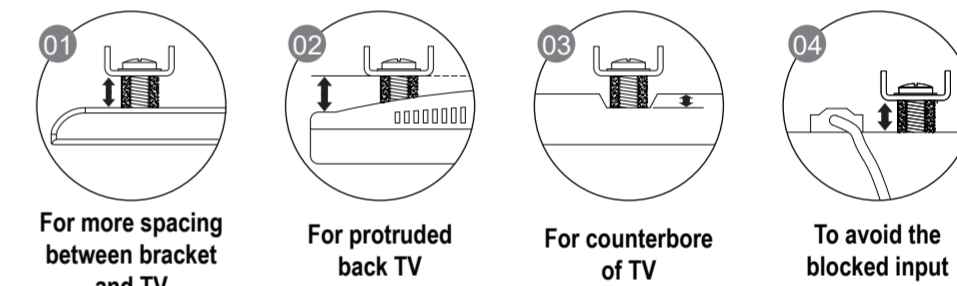
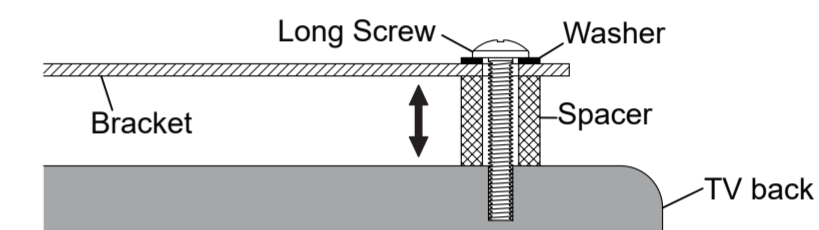
## 1-3

### Select TV Screws

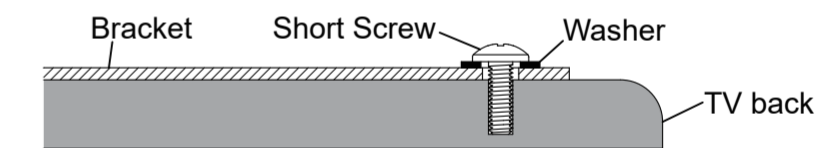


### Need Spacer?

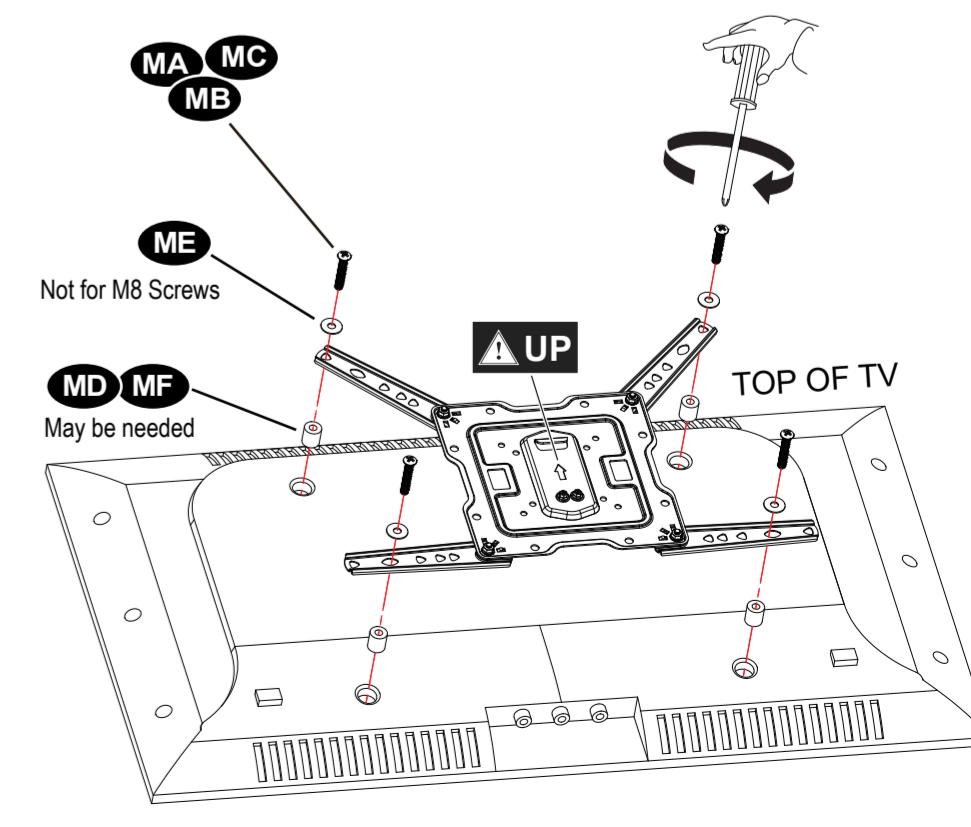
**I** Yes, choose the appropriate screws, washers, and spacers for your TV.



**II** No, just choose the screws, washers.



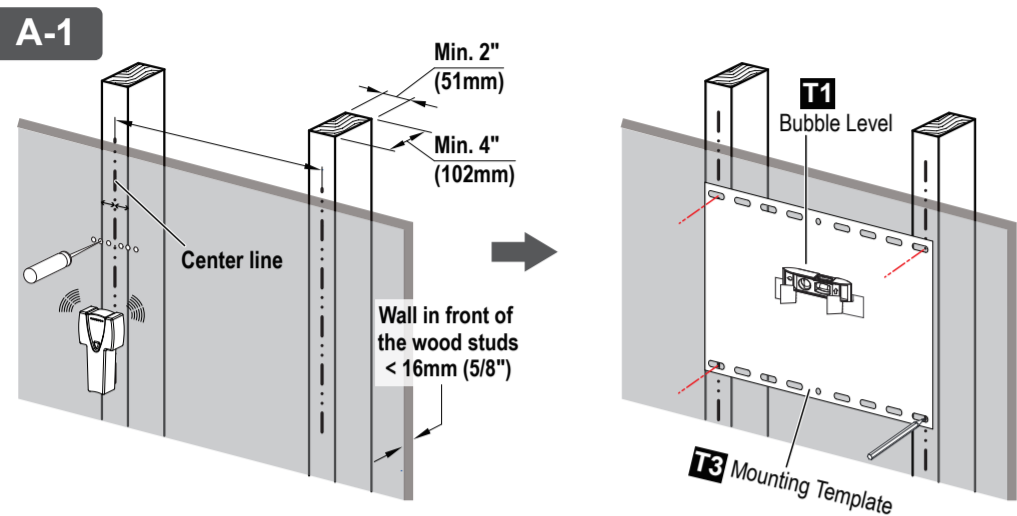
**Do not tighten the screws excessively or tighten them by using the Electrodrill, or your TV might be damaged.**





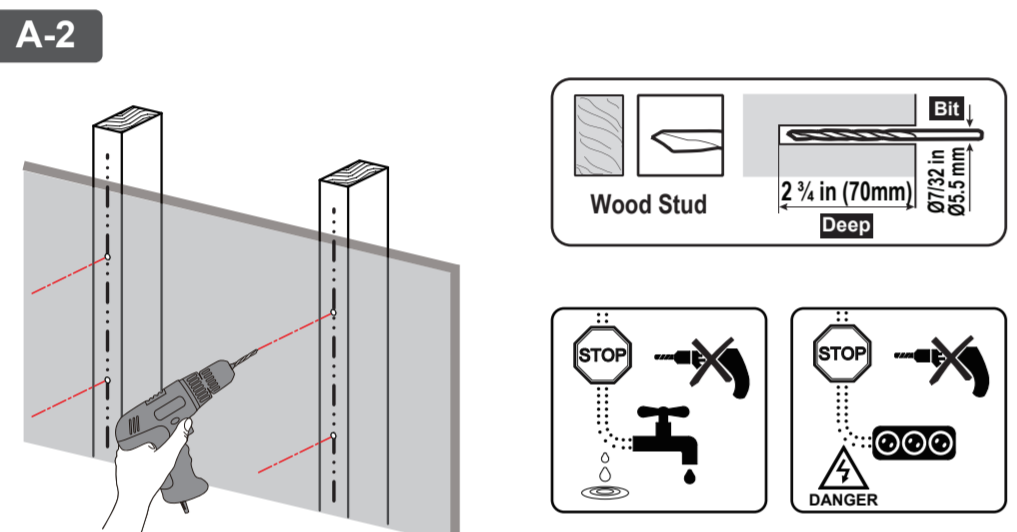
## 2-A Attach Wall Plate to Wall

### OPTION A: Wood Stud Installation



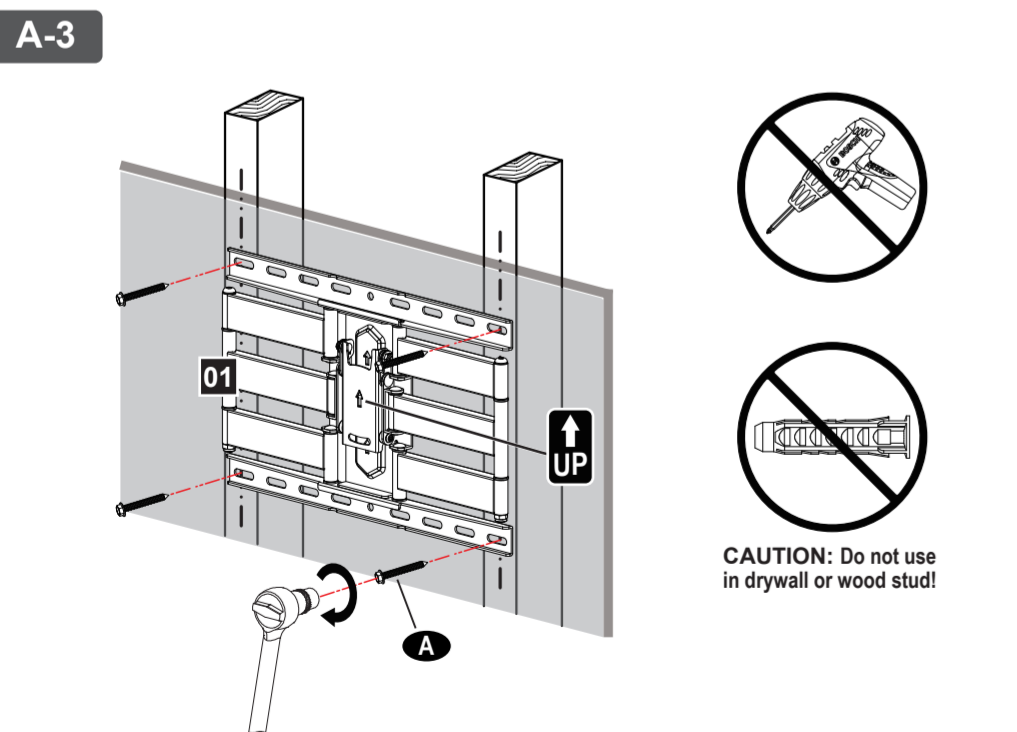
Locate your studs. Verify and mark the center of the stud by finding the stud edges using awl and stud finder.

Line up the holes with your stud center line. Level the mounting template and mark the pilot hole locations.



Drill pilot holes using a  $\Phi 7/32$  in ( $\Phi 5.5$ mm) diameter drill bit.

**IMPORTANT:** Do not drill holes into where water pipes or electrical wires are located. Be sure to drill into the center of the stud.

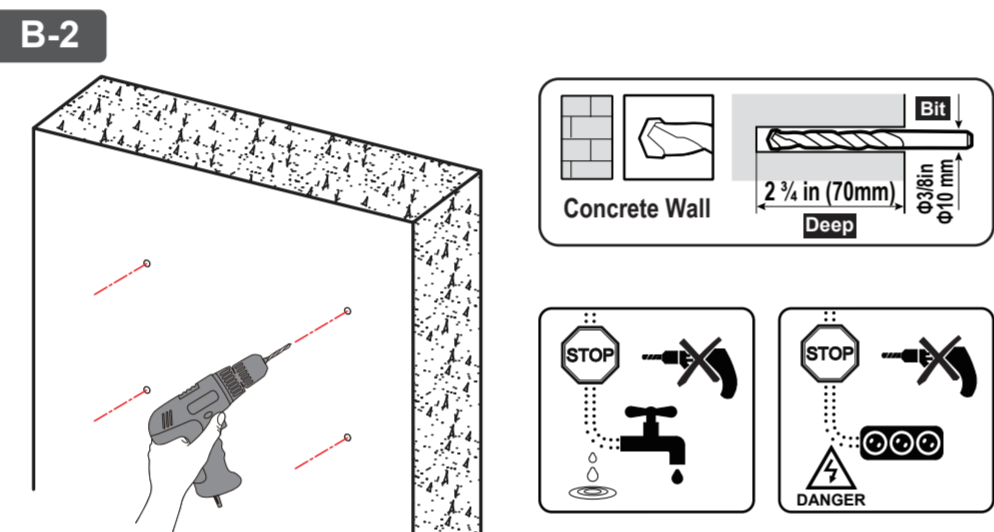
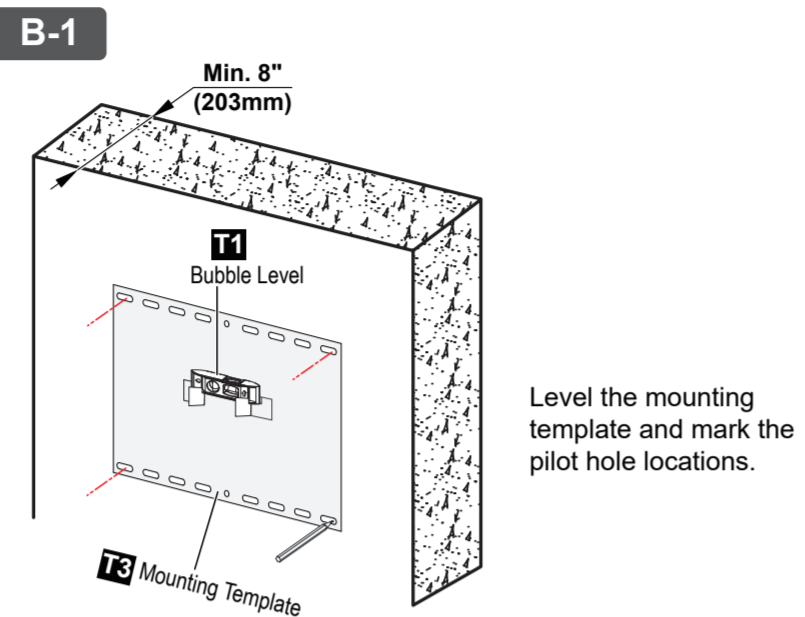


Install wall plate using lag bolts **A** with Socket Wrench, NO Electrodrill. No anchors when installed onto the wood studs.

**CAUTION:** To avoid potential personal injury or property damage: All 4 lag bolts **A** **MUST BE** firmly tightened to prevent unwanted movement of the wall plate assembly. Ensure the wall plate assembly is securely fastened to the wall before continuing on to the next step. To prevent the TV falling down, the **Arrow Must Keep UP** at this step!!

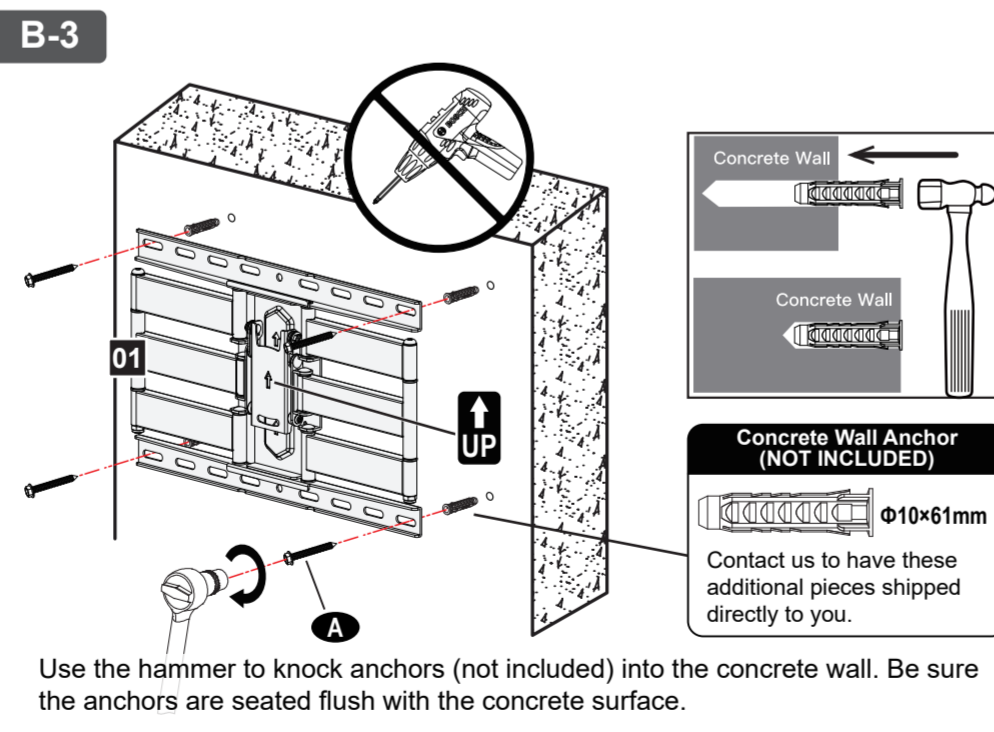
## 2-B Attach Wall Plate to Wall

### OPTION B: Solid Concrete Wall Installation



Drill pilot holes using a  $\Phi 3/8$  in ( $\Phi 10$ mm) diameter drill bit.

**IMPORTANT:** Do not drill holes into where water pipes or electrical wires are located, or mortar between blocks.



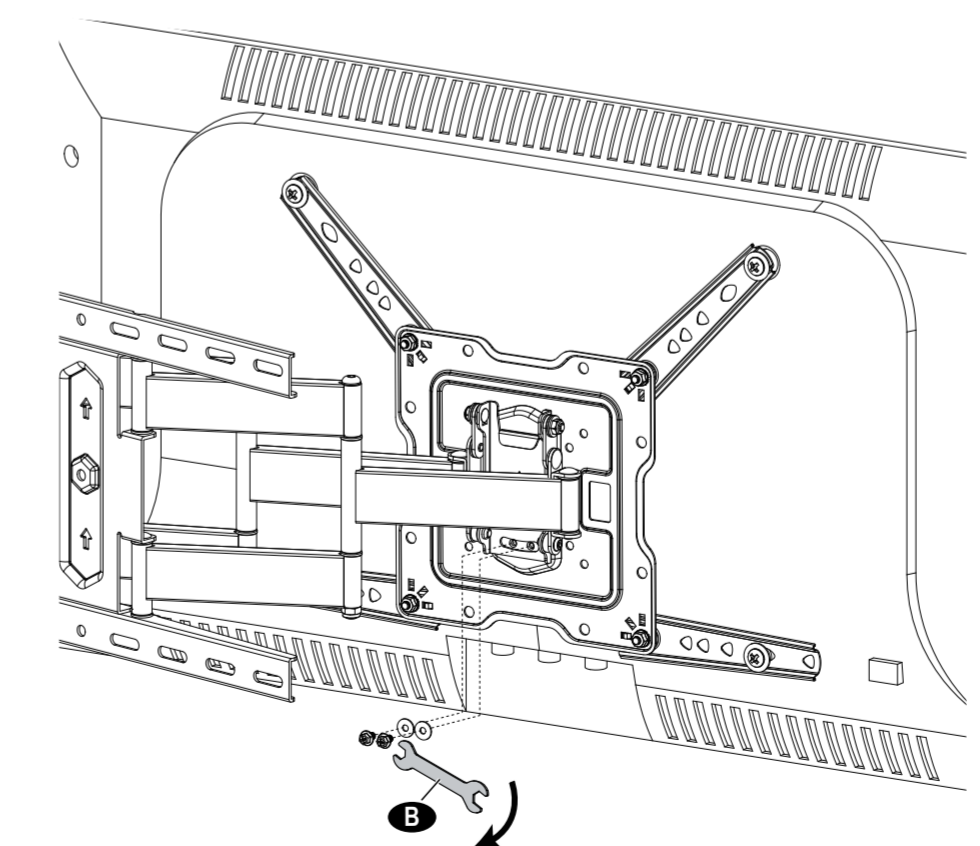
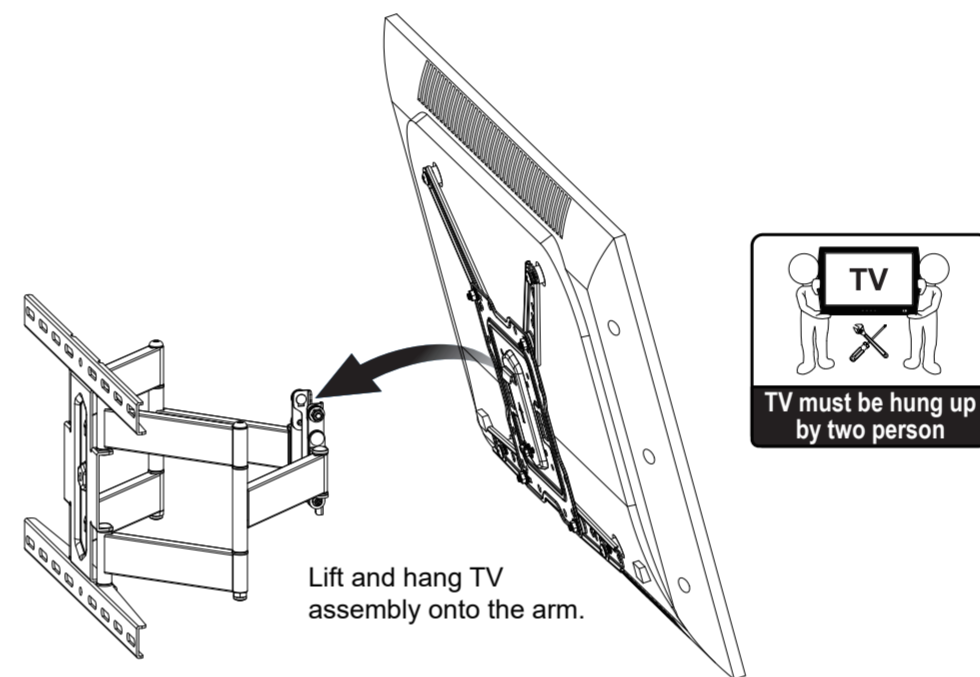
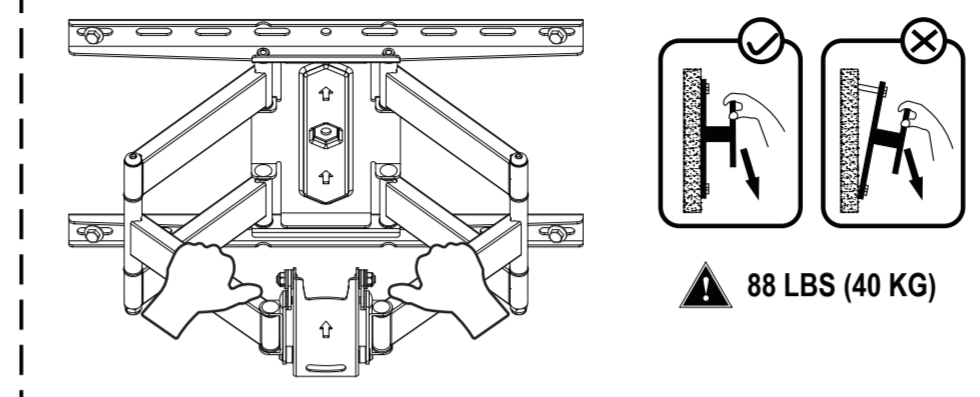
Use the hammer to knock anchors (not included) into the concrete wall. Be sure the anchors are seated flush with the concrete surface.

Install wall plate using lag bolts **A** and anchors (not included) with Socket Wrench, NO Electrodrill.

**CAUTION:** To avoid potential personal injury or property damage: All 4 lag bolts **A** **MUST BE** firmly tightened to prevent unwanted movement of the wall plate assembly. Ensure the wall plate assembly is securely fastened to the wall before continuing on to the next step. To prevent the TV falling down, the **Arrow Must Keep UP** at this step!!

## 3 Hang and Secure TV to Wall Plate

Before hanging TV, please conduct "wall plate installation integrity test" first.

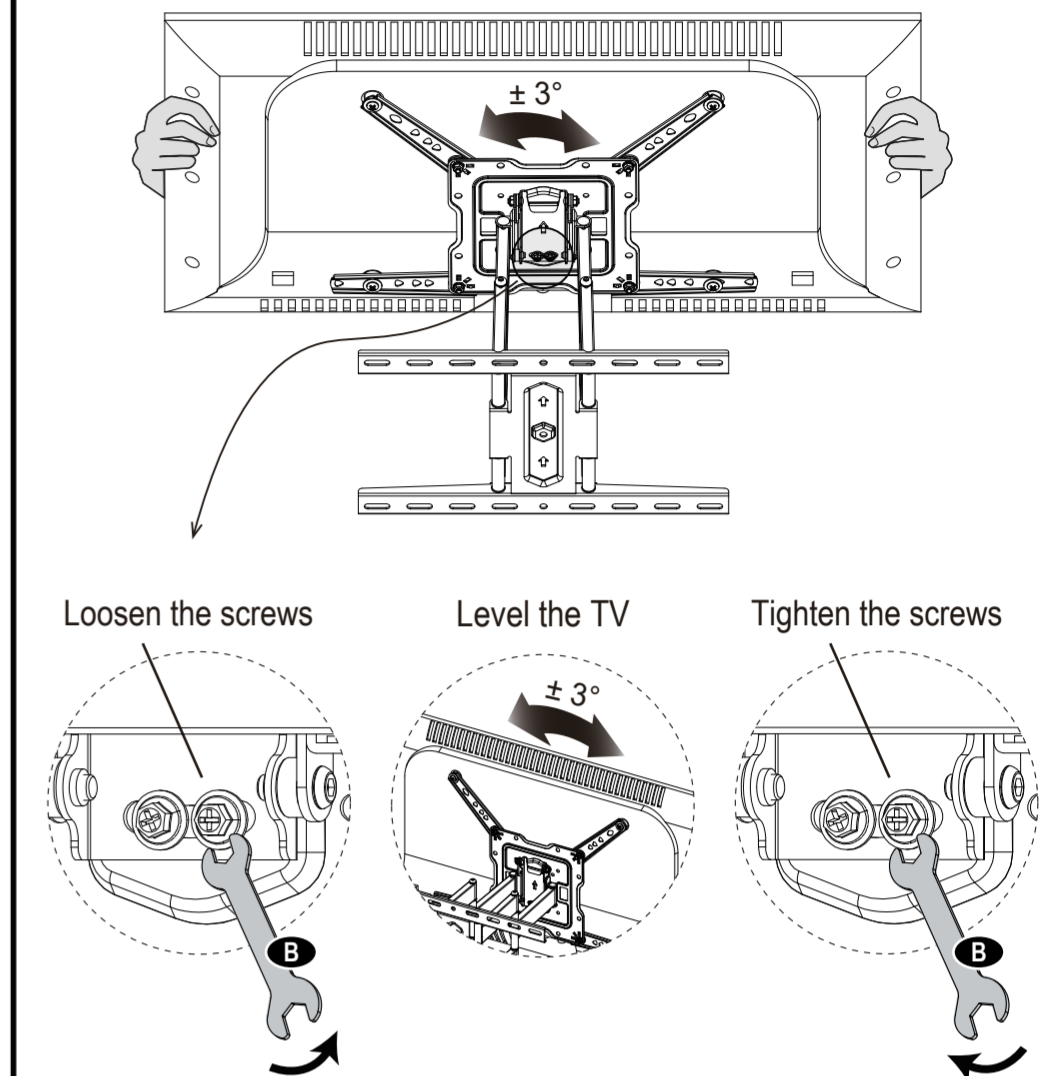


Secure the TV plate to the arm and wall plate with the removed screws and washers from the previous step.

## 4 Adjustments (If necessary)

### 4-1 Leveling Adjustment

If needed, TV can be leveled  $\pm 3$  degrees via adjusting the 2 screws with the wrench (B).



### 4-2 Tilt Adjustment

1. Loosen the tilting bolts and nuts.
2. Adjust TV to your desired angle.
3. Retighten the bolts and nuts to fix the intended angle.

