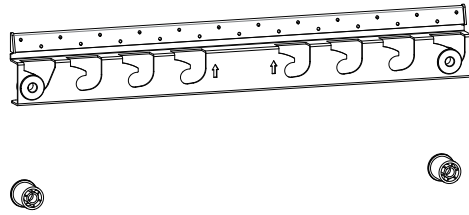


INSTALLATION INSTRUCTION

(V1)



Horizontal × Vertical
 Min: 100mm×100mm (4"×4")
 Max: 400mm×Unrestricted (16"×Unrestricted)

LM4-4

If you have any questions, please feel free to contact Customer Service via Amazon before returning.

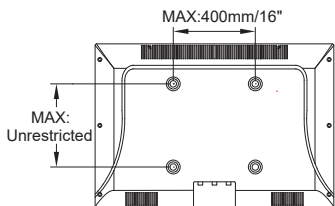
Safety Caution

Please read this instruction carefully before installation. If you do not understand these instructions or have doubts about the safety of the installation, assembly or use of this product, please contact us.

- This product is designed for use in drywall with / without wood stud. - **DO NOT install into solid concrete wall.**
- The wall must be capable of supporting five times the weight of the TV and mount combined.
- Incorrect installation may result in product damage or body injury.

⚠ WARNING: This product contains small items that could be a choking hazard if swallowed. Before starting assembly, verify all parts are included and undamaged. For parts shortage or damage, please contact us.

Must Check Before Getting Started



⚠ CAUTION:
 DO NOT install into concrete or brick.
 DO NOT mount to patched areas/ drywall seams/uneven walls.
 Drywall must be of sound construction with no water damage.

<16mm(5/8")

Drywall with / without wood studs

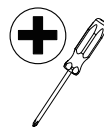
Installation Tools (Not Included)



Hammer



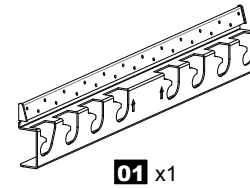
Band Tape



Screwdriver

Hardware Included

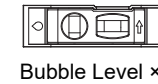
Wall Plate



Upper Holder

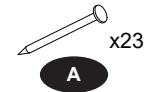


Down Holders



Hardware (Wall)

Nail 5/64 x 1 3/16 in

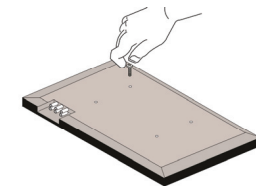


TV Screws / Washers

Philips Screws M4 x 30mm	Philips Screws M6 x 30mm	Philips Screws M8 x 30mm	Philips Screws M4 x 40mm	Philips Screws M6 x 40mm	Philips Screws M8 x 40mm	Washers Ø6mm M4-5-6	Spacers L5mm
x4	x4	x4	x4	x4	x4	x4	x8
M-A	M-B	M-C	M-D	M-E	M-F	M-G	

Step 1-1 Select TV screw diameter

Thread screws by hand into the threaded holes on the back of your TV to select which screw diameter fits your TV.



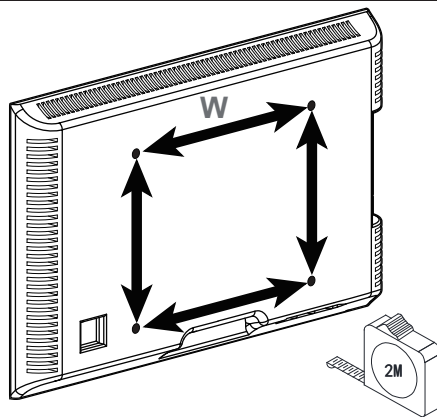
Step 1-2 Select TV screw length



Step 2 Measure your TV pattern

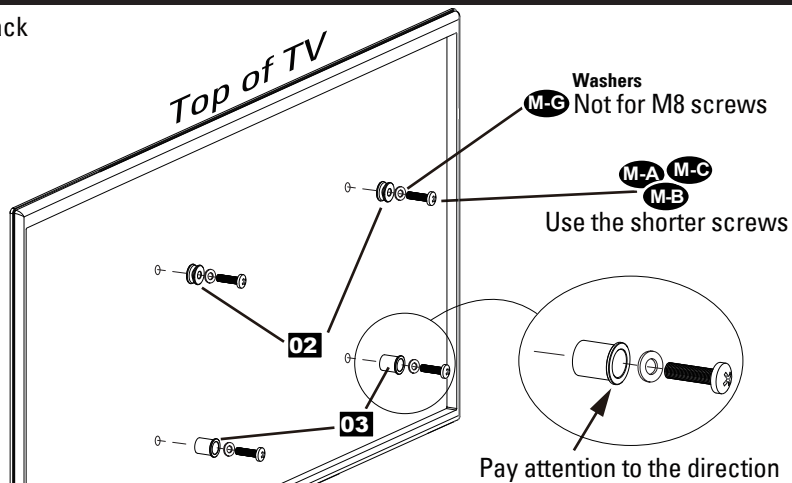
Measure and note the width of the square or rectangle formed from the VESA holes pattern.

- 100mm ≈ 4in.
- 200mm ≈ 8in.
- 300mm ≈ 11 3/4in.
- 400mm ≈ 16in.

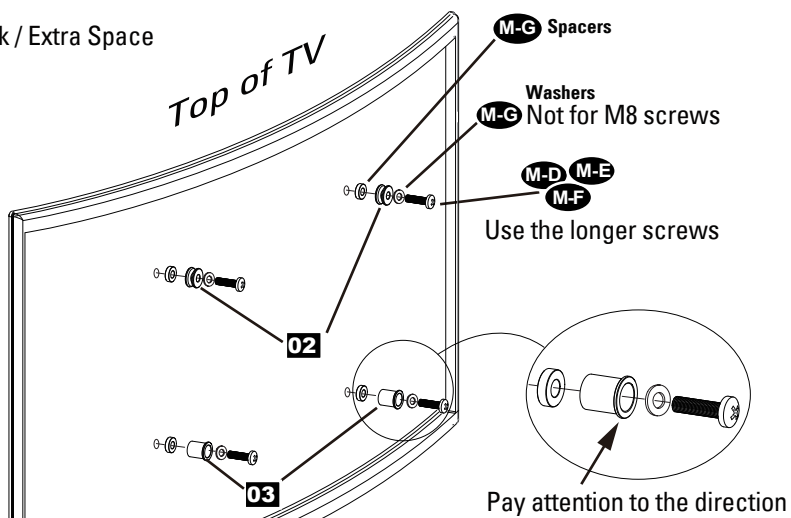


Step 3 Attach the bracket

(a) For Flat Back



(b) For Round Back / Extra Space

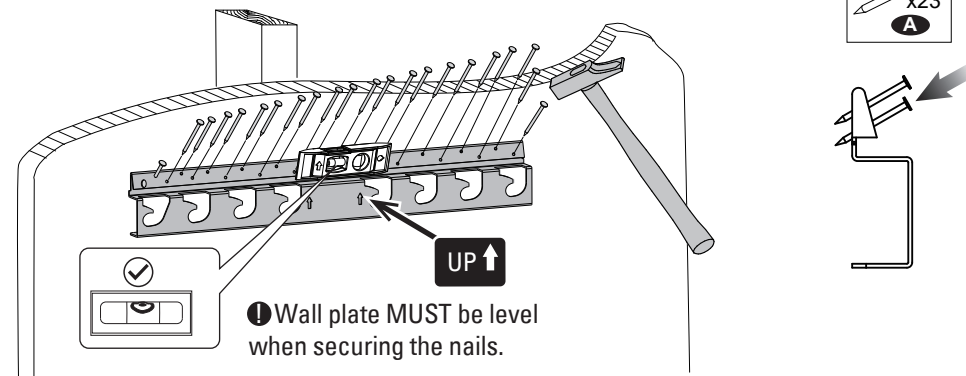


3

Step 4 Wall plate installation (for drywall with /without stud)

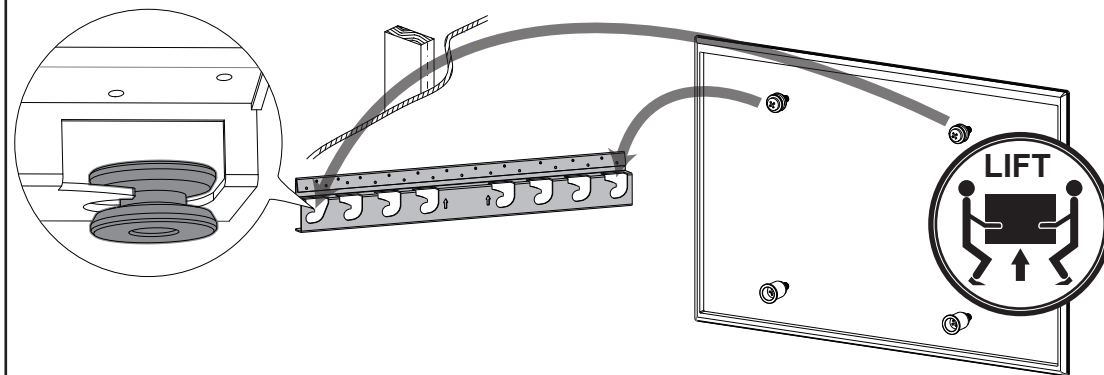
Position the wall plate **01** at your desired height and secure it with the all nails **A** total 23pcs.

⚠️ Alternate installing all the nail holes from side to side.

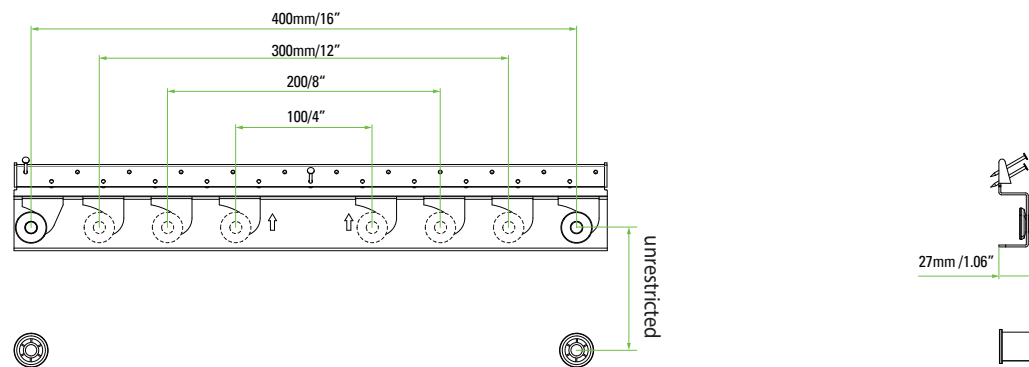


Step 5 Lift and hang TV with bracket onto wall bracket

Adding cables before hanging the TV onto wall plate.
Hang the TV by securing the Upper Holders **02** onto the wall plate.



Product dimensions:



4

