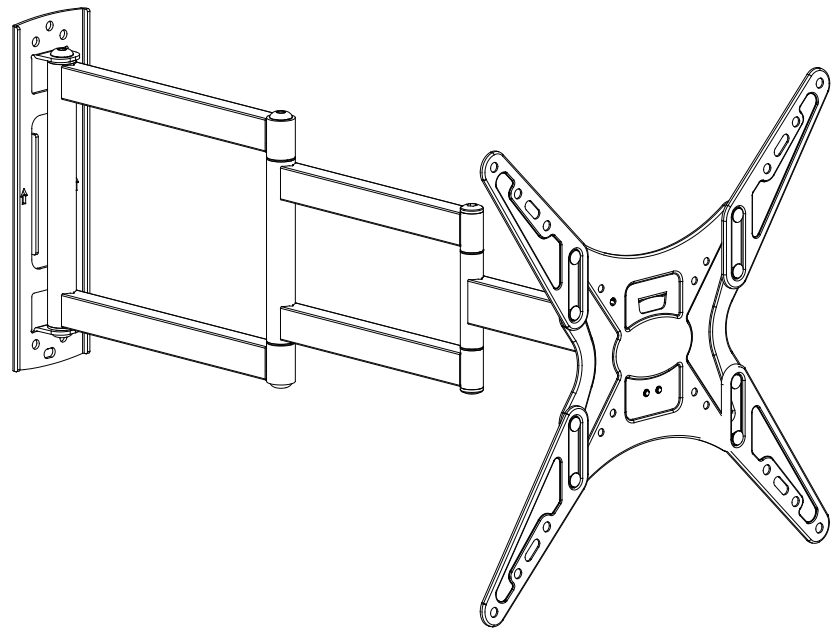


INSTALLATION INSTRUCTION

YZ2306_US1.0



If you have any questions, please feel free to contact Customer Service via Amazon before returning.

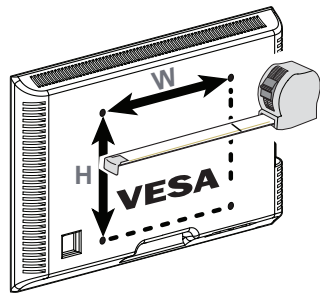
Safety Caution

Please read this instruction carefully before installation. If you do not understand these instructions or have doubts about the safety of the installation, assembly or use of this product, please contact us.

- This product is designed for use in wood stud or solid concrete wall. **- DO NOT install into drywall alone.**
- The wall must be capable of supporting five times the weight of the TV and mount combined.
- Incorrect installation may result in product damage/property damage or body injury. We shall bear no responsibility for any damage or injury resulted from incorrect installation, incorrect assembly or misuse.

WARNING: This product contains small items that could be a choking hazard if swallowed. Before starting assembly, verify all parts are included and undamaged. If any parts are missing or damaged, do not return the damaged item to your dealer; please contact our customer service team. Never use damaged parts!

Must Check Before Getting Started



Minimum VESA Pattern (W × H):
100mm × 100mm / 4 in × 4 in

Maximum VESA Pattern (W × H):
400mm × 400mm / 16 in × 16 in

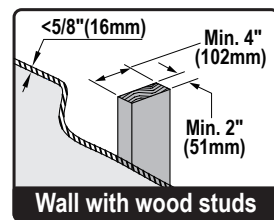


MAX:
77 lbs (35 kg)

WARNING

DO NOT exceed the maximum weight indicated. This mounting system is intended for use only within the maximum weights indicated. Use with products heavier than the maximum weights indicated may result in failure of the mount and its accessories, causing possible damage or injury.

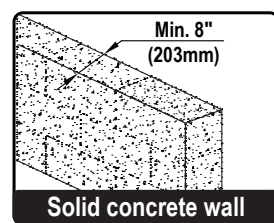
Verify Your Wall Construction



Wall with wood studs



CAUTION: Avoid potential personal injuries and property damage! Drywall covering the wall must not exceed 5/8 in. (16 mm). Minimum wood stud size: nominal 2 x 4 in. (51 x 102 mm) actual 1 1/2 x 3 1/2 in. (38 x 89 mm).



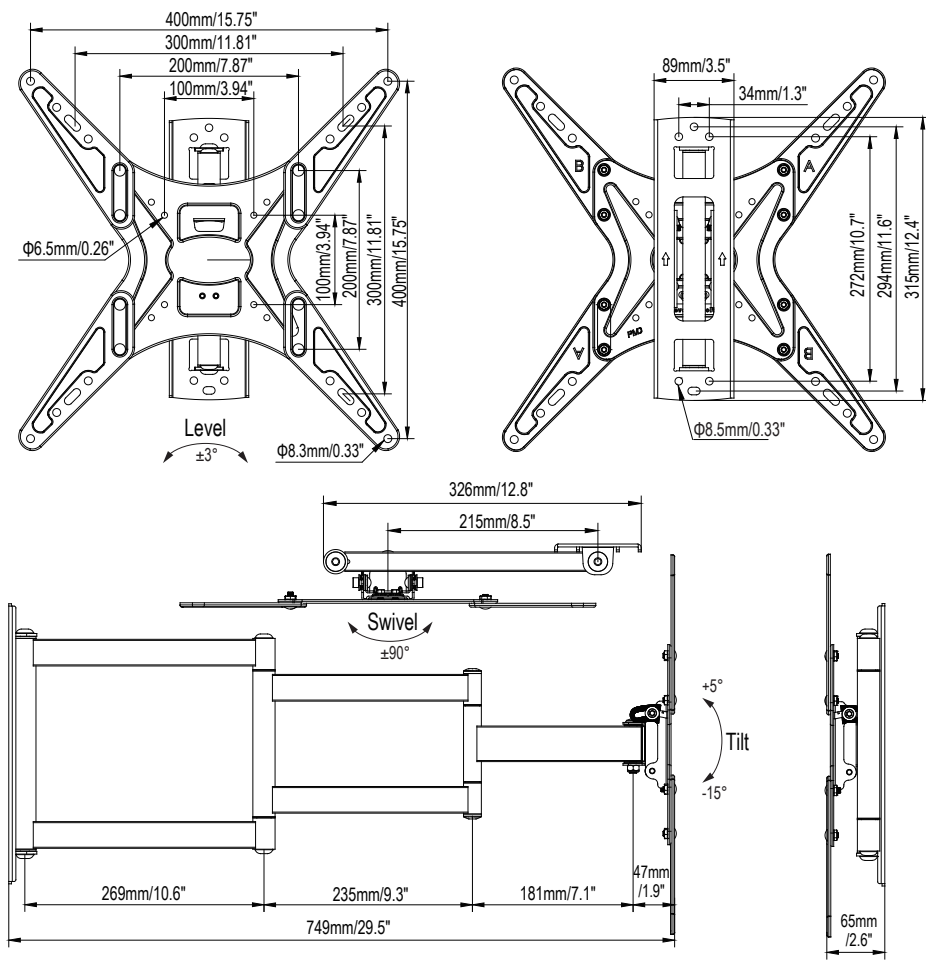
Solid concrete wall



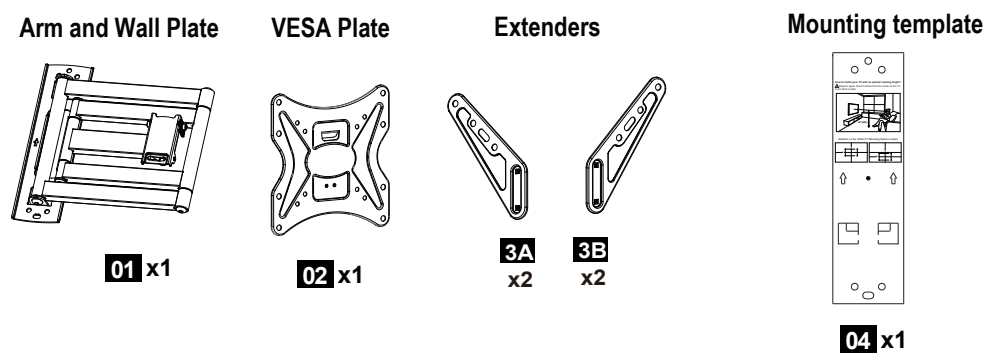
CAUTION: Avoid potential personal injuries and property damage! Mount the wall plate assembly directly onto the concrete surface (no surface covering).

CAUTION: DO NOT install into drywall alone.

Product Dimensions



Supplied Parts and Hardware



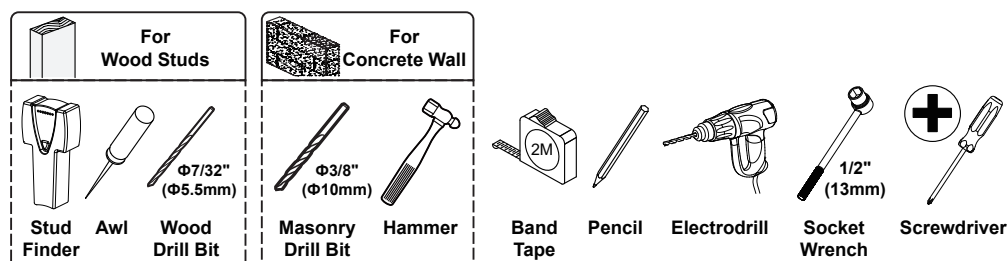
Wall / Product				
Lag Bolt ST8x65mm A x3	Open-end Wrench B x1	Carriage Bolt C x8	Flange Nut D x8	Allen key E x1

TV					
Philips Screws M4 x 12mm MA x4	Philips Screws M4 x 30mm MB x4	Philips Screws M6 x 15mm MC x4	Philips Screws M6 x 30mm MC x4	Philips Screws M8 x 25mm MD x8	Philips Screws M8 x 45mm MD x8
Spacers H10mm ME x4	Washers Ø6mm ME x4	Spacers H5mm MF x8			



NOTE: Not all parts and hardware included will be used.

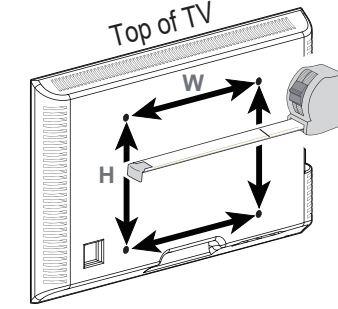
Extra Tools You Need (Not Supplied)



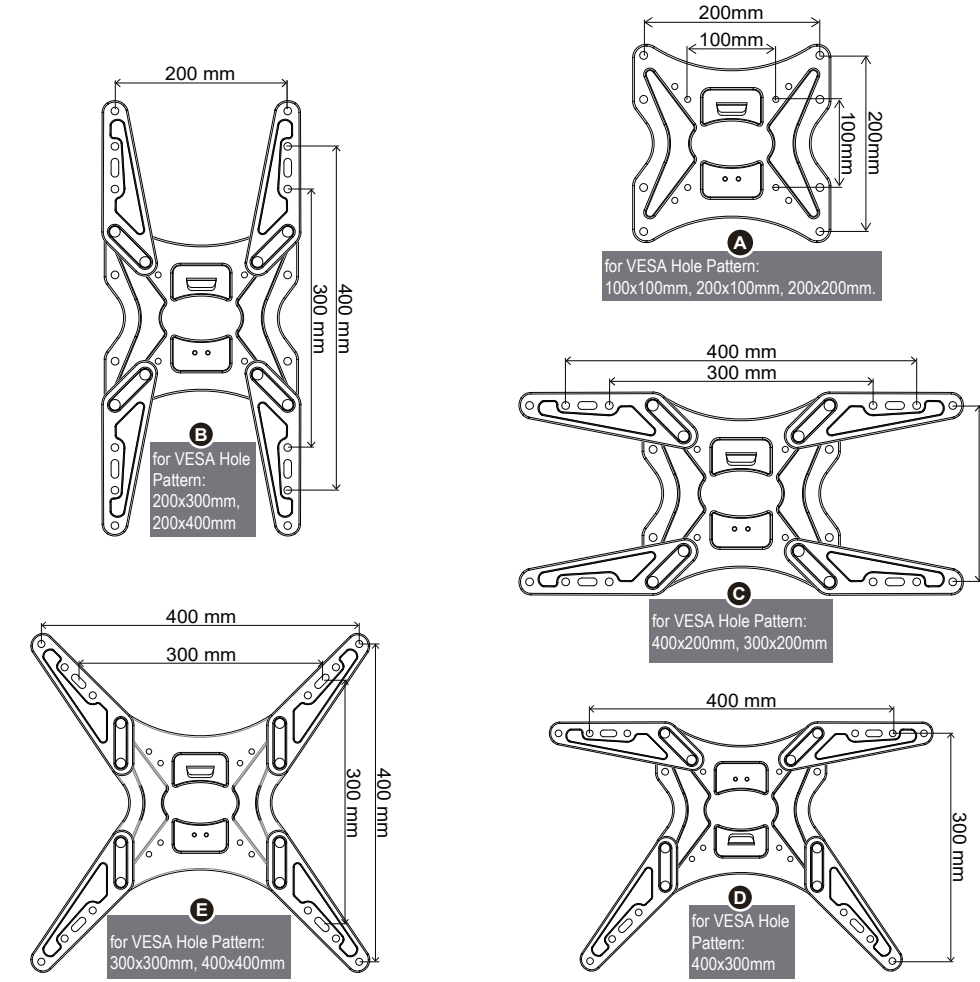
1 Attach Brackets to TV

1-1 Select VESA Plate Configuration

Measure the width and the height of the square or rectangle formed from the VESA holes pattern. Select the configuration to use based on the measurement from TV.

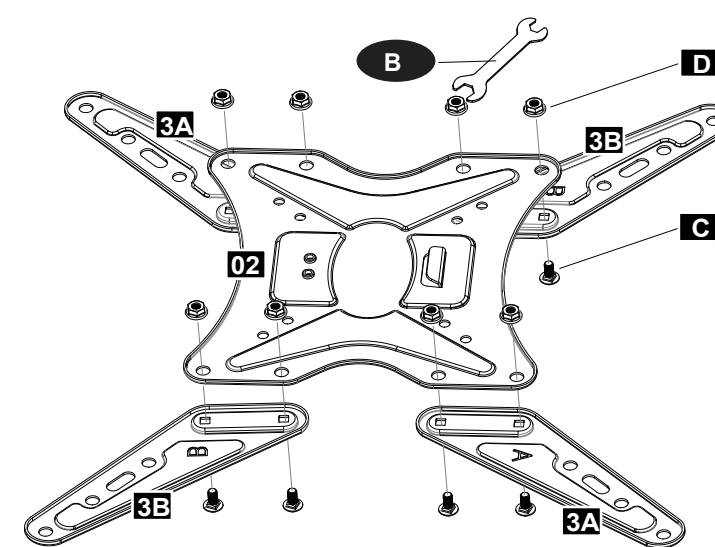


VESA Pattern (WxH)	Configuration	VESA Pattern (WxH)	Configuration
100mm x 100mm	A	300mm x 200mm	C
200mm x 100mm	A	300mm x 300mm	E
200mm x 200mm	A	400mm x 200mm	C
200mm x 300mm	B	400mm x 300mm	D
200mm x 400mm	B	400mm x 400mm	E



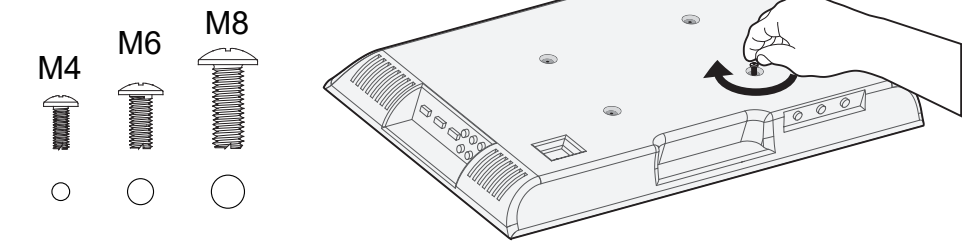
1-2 Assemble VESA Plate and Extenders (When VESA > 200mm)

If your TV hole pattern is greater than 200x200mm, attach extenders (3A,3B) to VESA plate (02) using Carriage Bolts (C) and Flange Nuts (D).

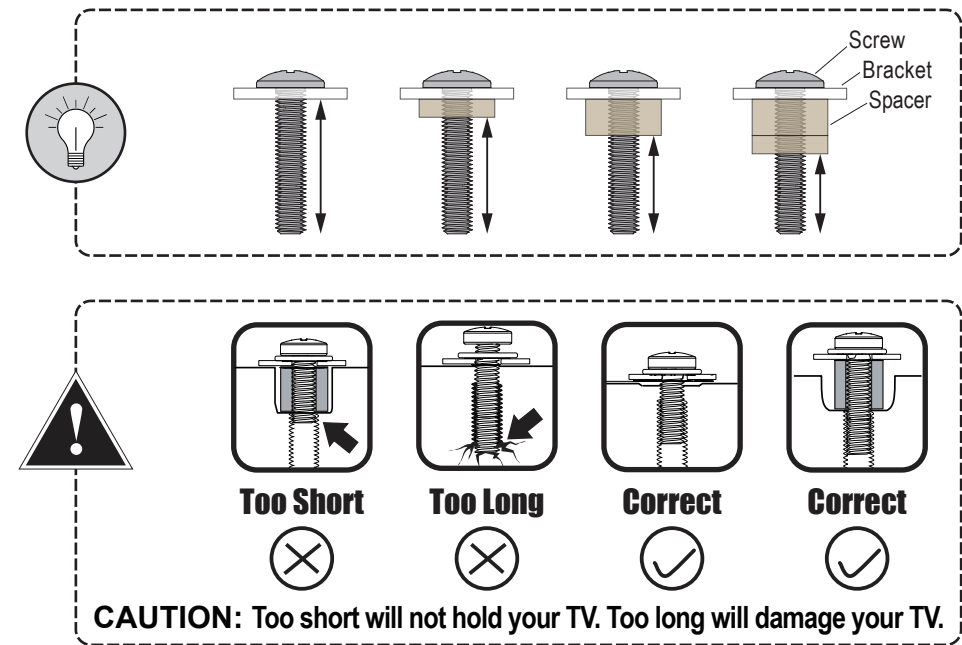


1 (Continued)

1-3 Select Correct TV Screw Diameter

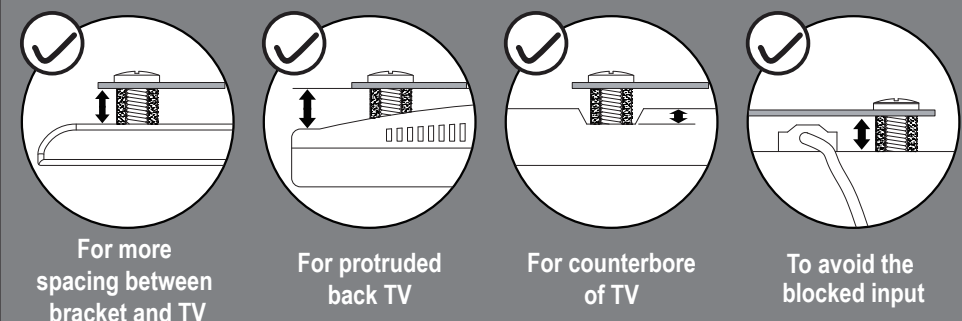


Select Correct TV Screw Length

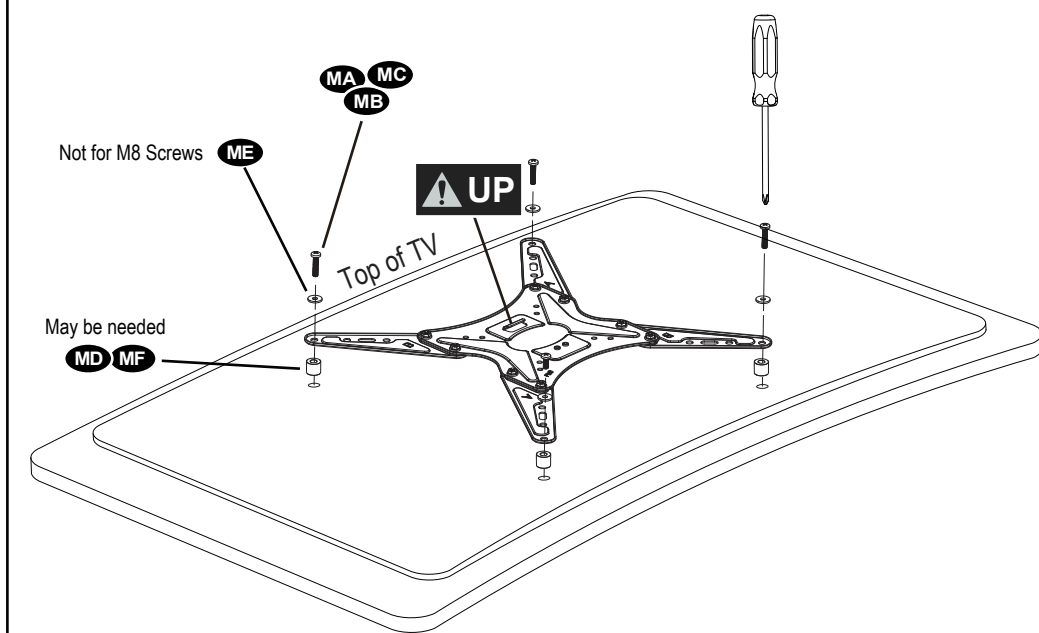


Which Situation Needs Spacers?

If the screw is too long or the surface is uneven, please choose the appropriate screws and spacers for your TV.

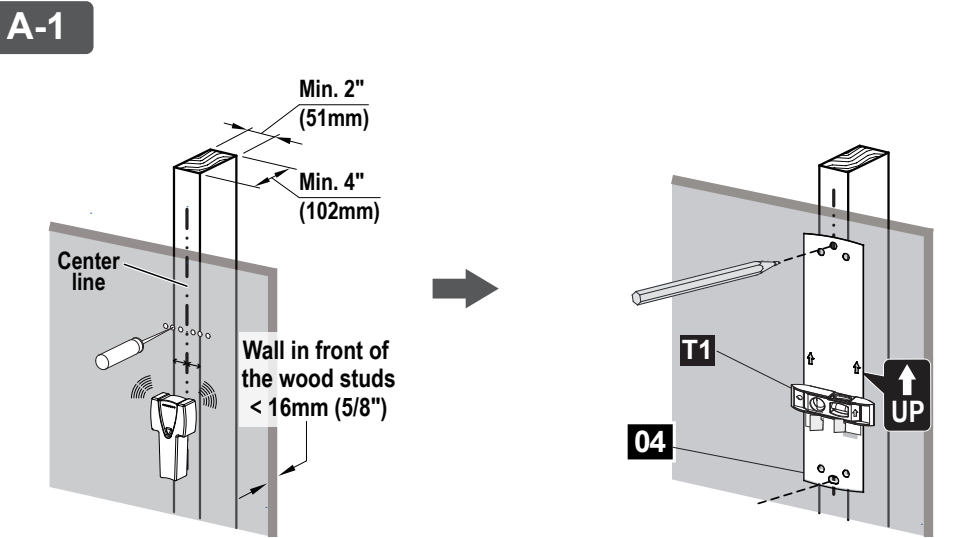


Do not tighten the screws excessively or tighten them by using the Electrodrill, or your TV might be damaged.



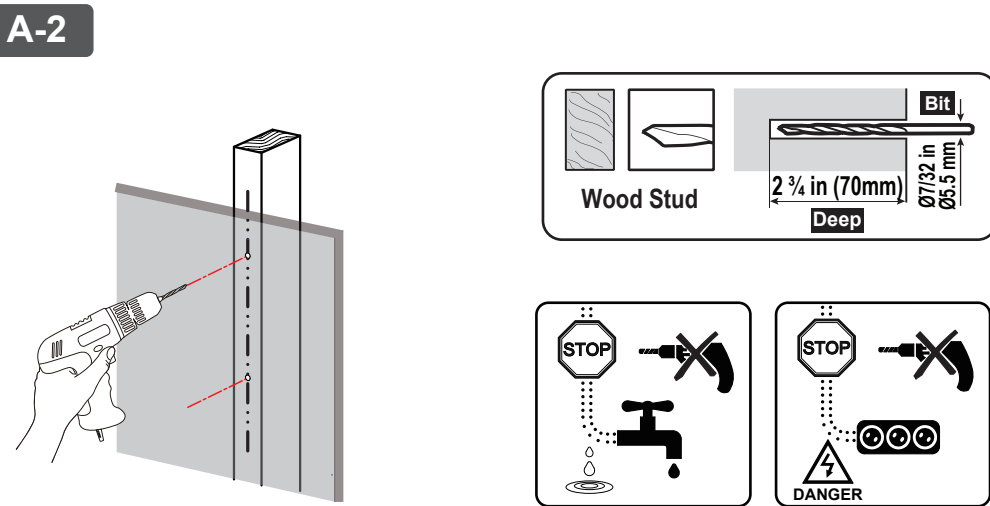
2-A Attach Wall Plate to Wall

OPTION A: Wood Stud Installation



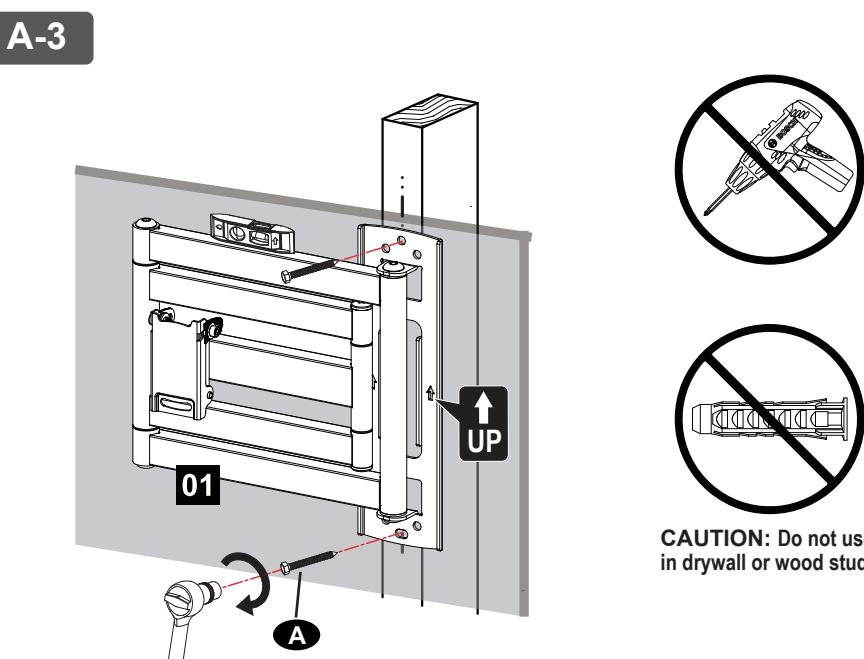
Locate your studs. Verify and mark the center of the stud by finding the stud edges using awl and stud finder.

Line up the holes with your stud center line. Level the mounting template and mark the pilot hole locations.



Drill pilot holes using a $\Phi 7/32$ in ($\Phi 5.5$ mm) diameter drill bit.

IMPORTANT: Do not drill holes into where water pipes or electrical wires are located. Be sure to drill into the center of the stud.



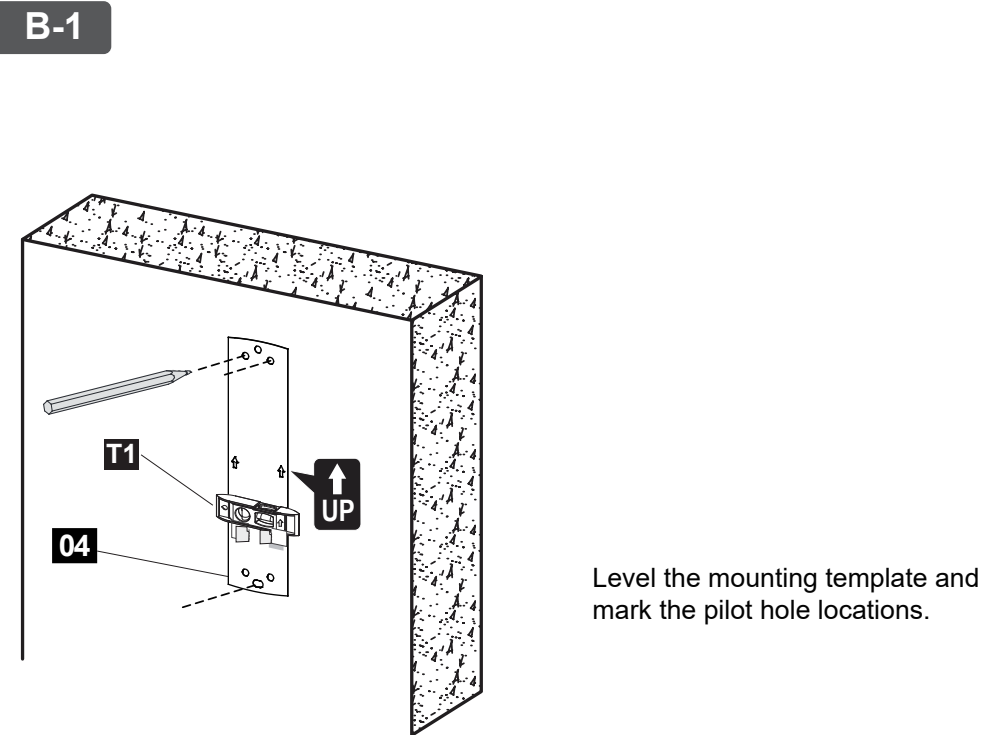
CAUTION: Do not use in drywall or wood studs!

Install wall plate using lag bolts **A** with Socket Wrench, **NO** Electrodrill. **NO** anchors when installed onto the wood studs.

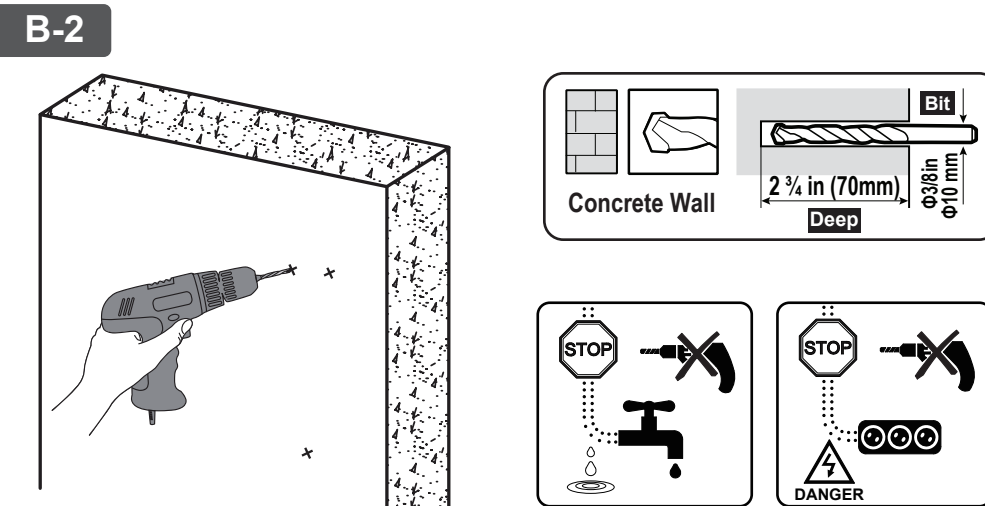
CAUTION: To avoid potential personal injury or property damage: All 2 lag bolts **A** **MUST BE** firmly tightened to prevent unwanted movement of the wall plate assembly. Ensure the wall plate assembly is securely fastened to the wall before continuing on to the next step. To prevent the TV falling down, the **Arrow Must Keep UP** at this step!!

2-B Attach Wall Plate to Wall

OPTION B: Solid Concrete Wall Installation

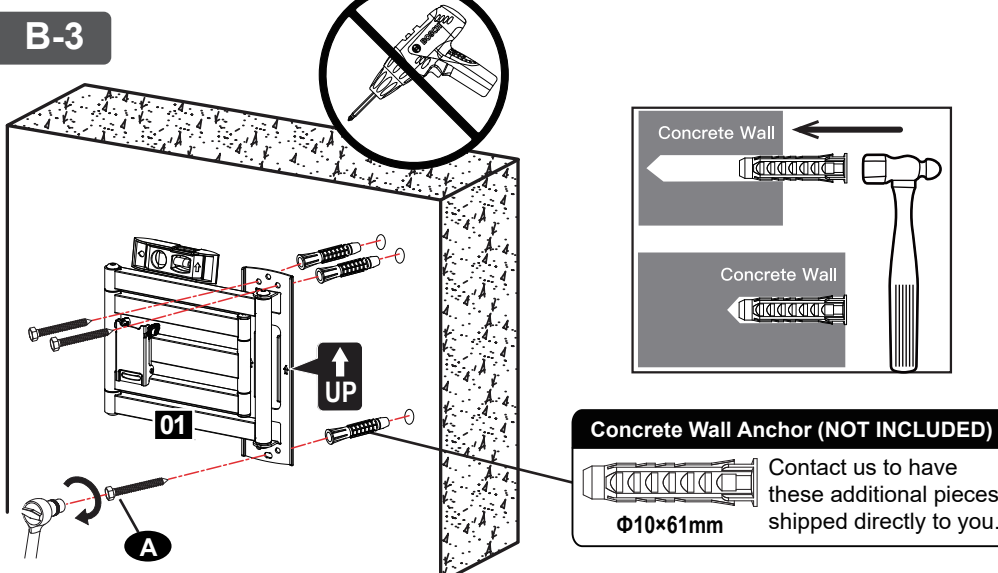


Level the mounting template and mark the pilot hole locations.



Drill pilot holes using a $\Phi 3/8$ in ($\Phi 10$ mm) diameter drill bit.

IMPORTANT: Do not drill holes into where water pipes or electrical wires are located, or mortar between blocks.



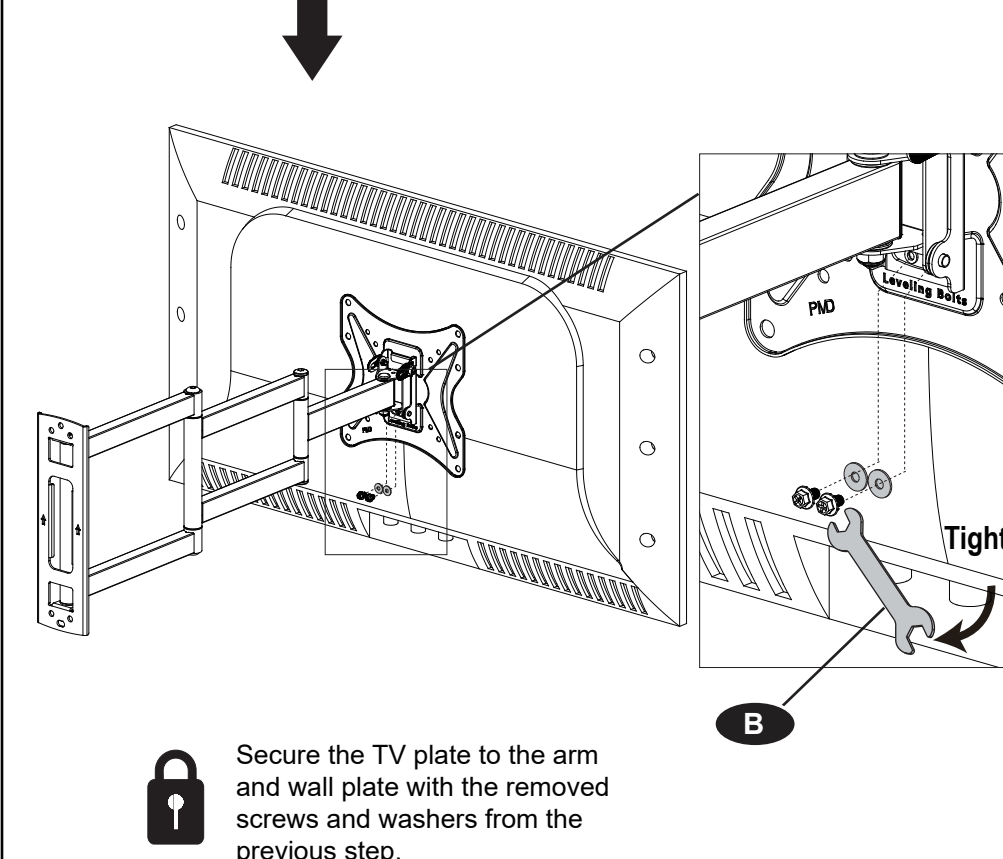
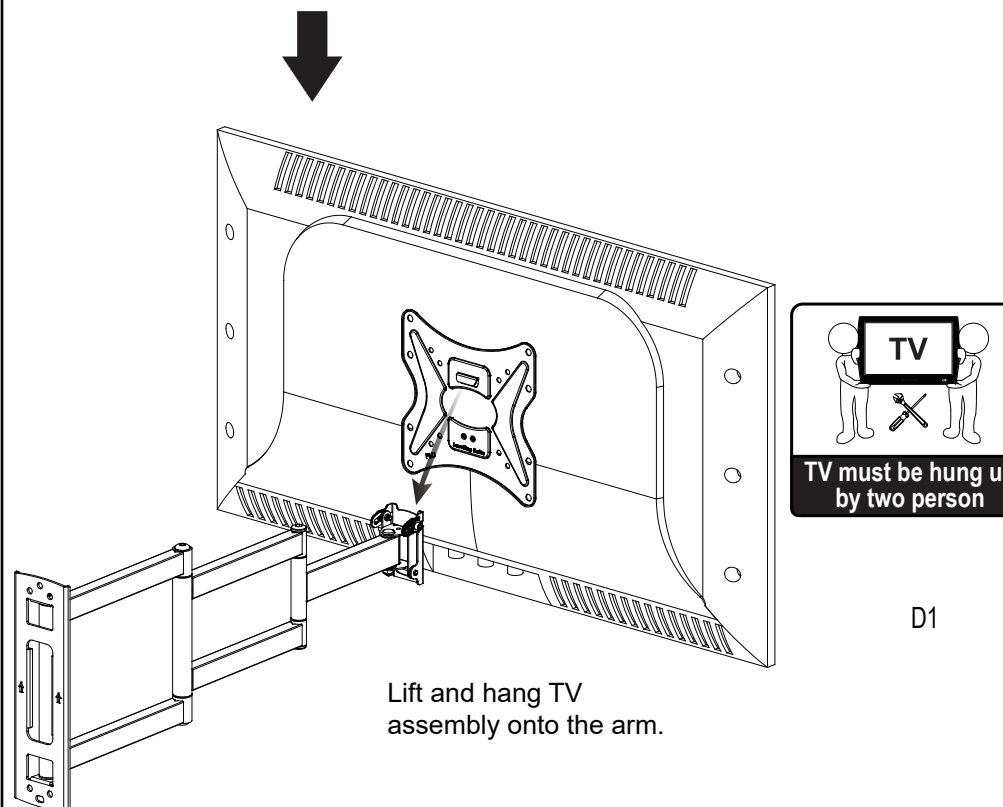
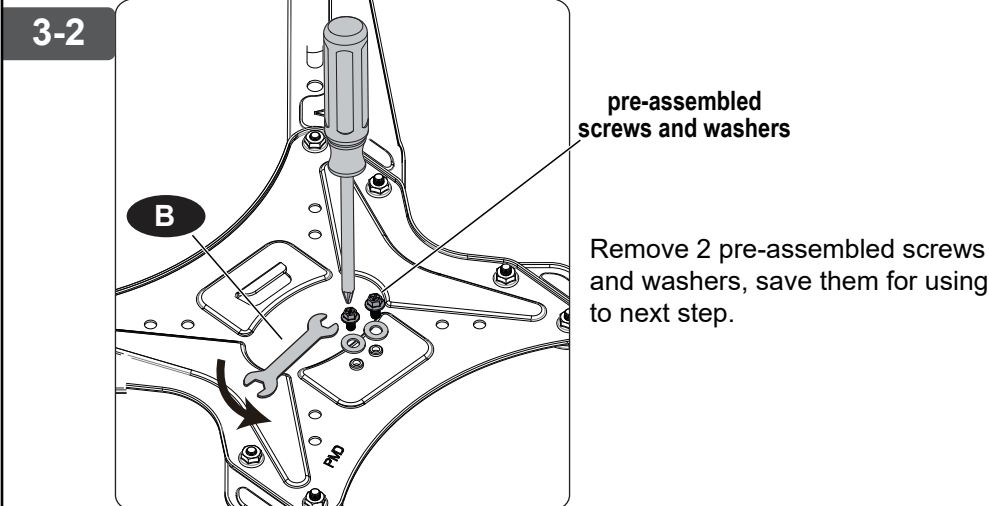
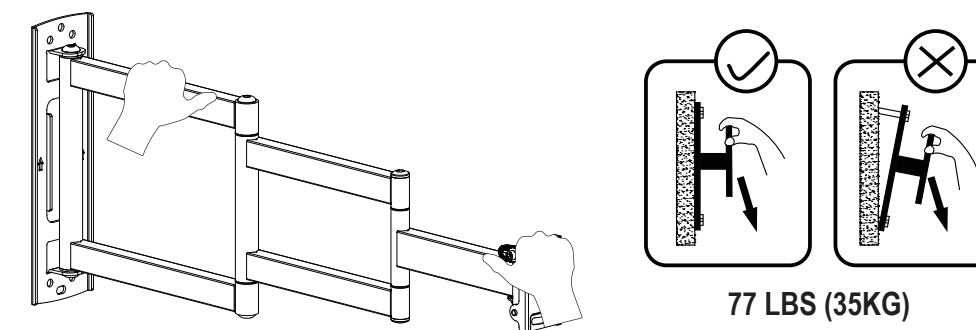
Use the hammer to knock anchors (not included) into the concrete wall. Be sure the anchors are seated flush with the concrete surface.

Install wall plate using lag bolts **A** and anchors (not included) with Socket Wrench, **NO** Electrodrill.

CAUTION: To avoid potential personal injury or property damage: All 3 lag bolts **A** **MUST BE** firmly tightened to prevent unwanted movement of the wall plate assembly. Ensure the wall plate assembly is securely fastened to the wall before continuing on to the next step. To prevent the TV falling down, the **Arrow Must Keep UP** at this step!!

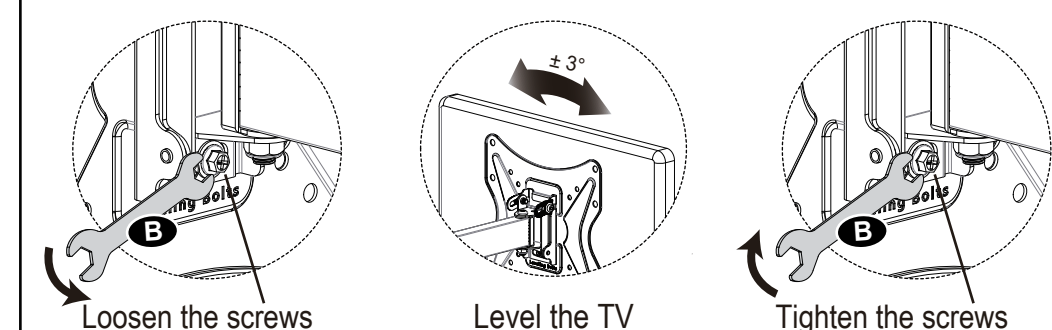
3 Hang and Secure TV to Wall Plate

3-1 Before hanging TV, please conduct "wall plate installation integrity test" first.

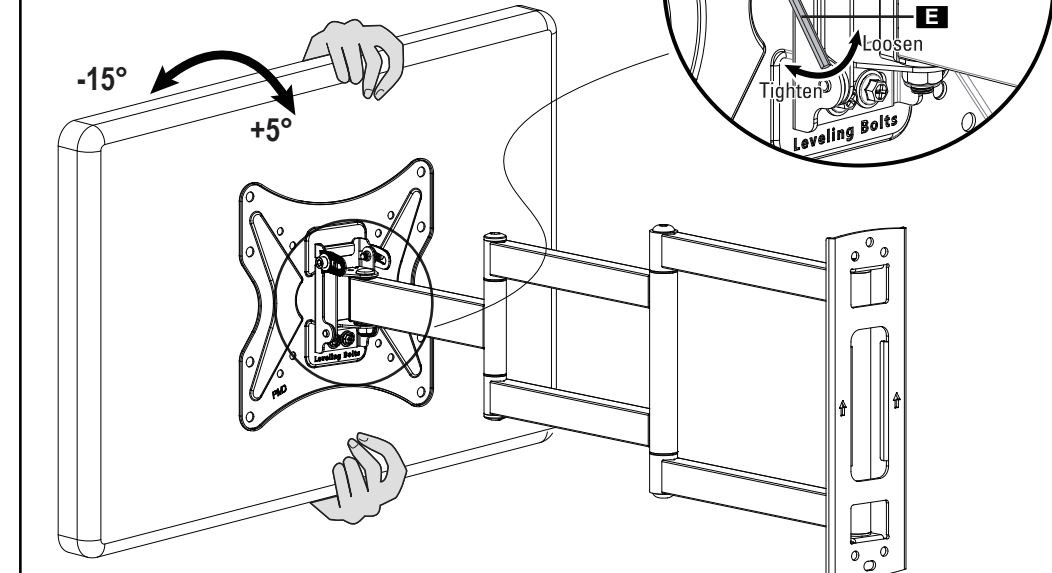


4 Adjustments (If necessary)

4-1 Leveling Adjustment If needed, TV can be leveled ± 3 degrees via adjusting the 2 screws with the open-end wrench(B).

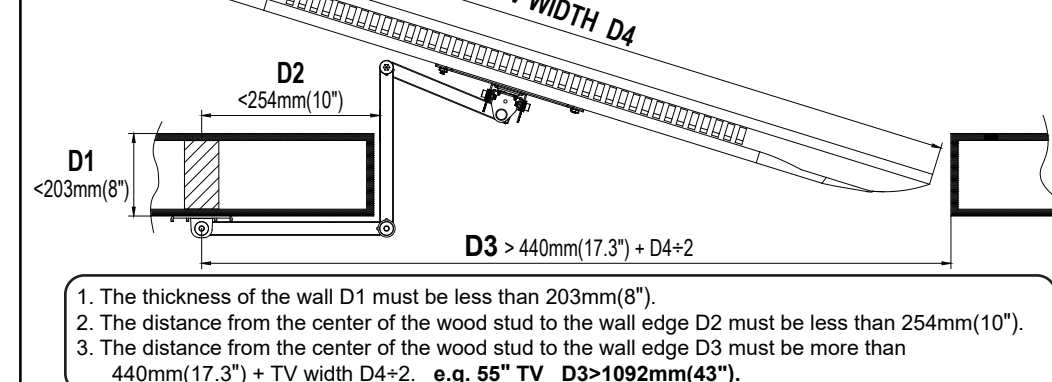


4-2 Tilt Adjustment 1. Loosen the tilting bolts $\times 2$. 2. Adjust TV to your desired angle. 3. Retighten the bolts to fix the intended angle.



5 Introduction to Applicable Scenarios

5-1 Crossing the wall



1. The thickness of the wall D1 must be less than 203mm(8").
2. The distance from the center of the wood stud to the wall edge D2 must be less than 254mm(10").
3. The distance from the center of the wood stud to the wall edge D3 must be more than 440mm(17.3") + TV width D4 + 2. e.g. 55" TV D3 > 1092mm(43").

5-2 Wall corner installation

