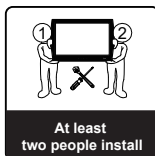
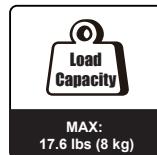
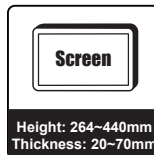
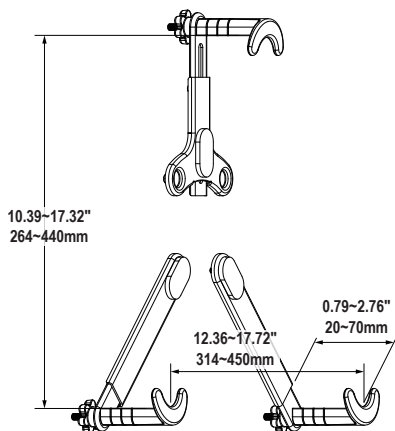


Non-VESA Adapter Installation Instruction

DWD1430_V2.0



If you have any questions, please feel free to contact Customer Service Via Amazon before returning.

⚠ WARNING

BEFORE ASSEMBLY

- Please check and make sure all necessary accessories are included and undamaged.
- Please read and understand this manual carefully before installation.

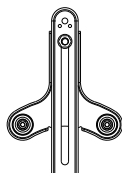
WARNING

- This product contains small items that could be a choking hazard if swallowed.
KEEP AWAY FROM CHILDREN UNDER 3 YEARS OLD. ADULT SUPERVISION IS REQUIRED.
- Improper installation, such as using the product for monitors over its load capacity or for any purpose not explicitly specified, may cause damage or serious injury. We would not be liable for any damage or injury mounting or caused by improper inappropriate use.
- At least two people are required to install this product.
- The weight of your screen DO NOT EXCEED 17.6 lbs (8kg).

CAUTION AND MAINTENANCE

- Do not use this adapter vertically.
- Never allow children to climb, stand, hang, or play on any part of screen or adapter.
- Check that the bracket is secure and safe to use at regular intervals (at least every three months).

PACKAGE CONTENTS



A (x1)
Bracket



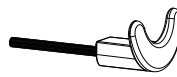
B (x2)
Bracket



C (x12)
Spacer



D (x3)
Knob Nut



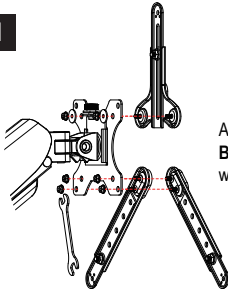
E (x3)
Brace



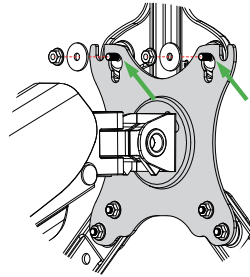
F (x1)
Wrench

ASSEMBLY STEPS

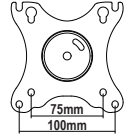
STEP 1



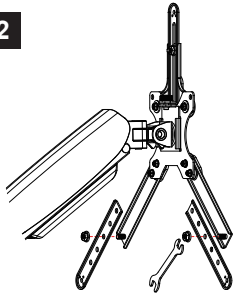
Attach and screw the **Bracket** to VESA plate with **Wrench**.



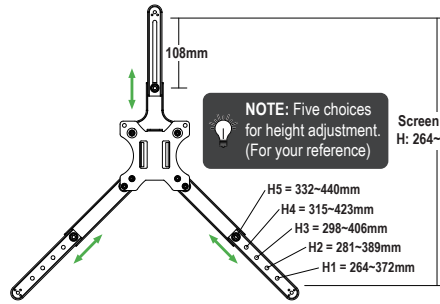
ATTENTION:
Move top bracket upward, and use upper holes on VESA plate when **Key Holes** installation.



STEP 2



Loose the screws on the **Bracket** and adjust **Extension Bar** to fit your screen height.

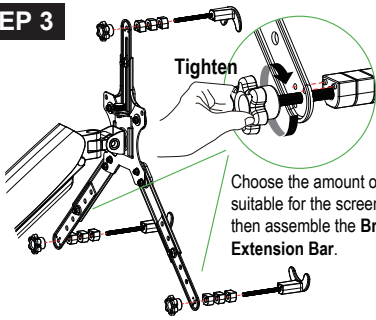


NOTE: Five choices for height adjustment. (For your reference)

Screen Height H: 264-440mm

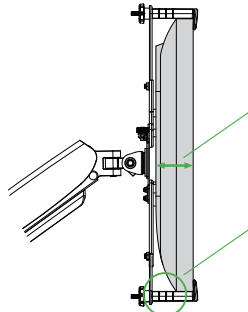
- H5 = 332-440mm
- H4 = 315-423mm
- H3 = 298-406mm
- H2 = 281-389mm
- H1 = 264-372mm

STEP 3



Tighten

Choose the amount of **Spacer** suitable for the screen thickness, then assemble the **Braces** to **Extension Bar**.

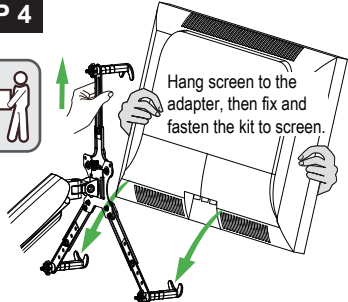


NOTE: Five choices for thickness adjustment. (For your reference)

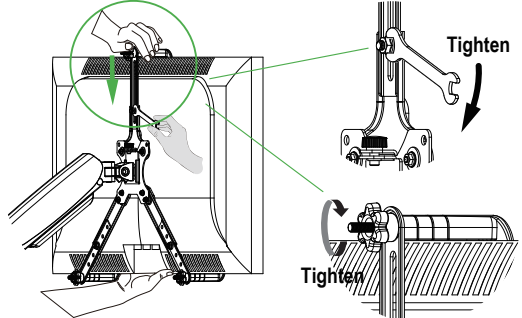
Screen Thickness T: 20-70mm

Screen Thickness	Amount of Spacer
$T \leq 30\text{mm}$	0 pcs
$30\text{mm} < T \leq 40\text{mm}$	1 pcs
$40\text{mm} < T \leq 50\text{mm}$	2 pcs
$50\text{mm} < T \leq 60\text{mm}$	3 pcs
$60\text{mm} < T \leq 70\text{mm}$	4 pcs

STEP 4



Hang screen to the adapter, then fix and fasten the kit to screen.



Tighten

Tighten