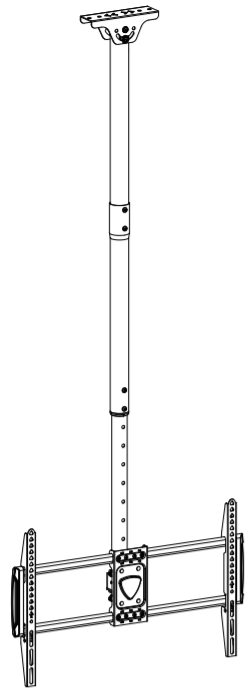


# INSTALLATION INSTRUCTION

YZ2227\_US1.1



If you have any questions, please feel free to contact Customer Service via Amazon before returning.

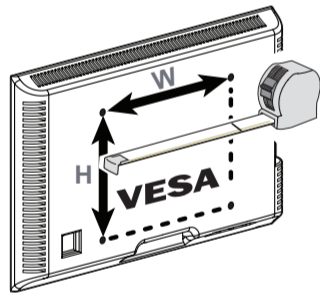
## Safety Caution

Please read this instruction carefully before installation. Also check your TV owner's manual to see if there are any special requirements for mounting your TV. If you do not understand these instructions or have doubts about the safety of the installation, assembly or use of this product, please contact us.

- This product is designed for use in wood joist or solid concrete wall.
- **DO NOT install into drywall alone.**
- The wall must be capable of supporting five times the weight of the TV and mount combined.
- Incorrect installation may result in product damage / property damage or body injury. We shall bear no responsibility for any damage or injury resulted from incorrect installation, incorrect assembly or misuse.

**WARNING:** This product contains small items that could be a choking hazard if swallowed. Before starting assembly, verify all parts are included and undamaged. If any parts are missing or damaged, do not return the damaged item to your dealer; please contact our customer service team. Never use damaged parts!

## Must Check Before Getting Started



Minimum VESA Pattern (W × H):  
150mm × 100mm / 6 in × 4 in

Maximum VESA Pattern (W × H):  
600mm × 400mm / 24 in × 16 in

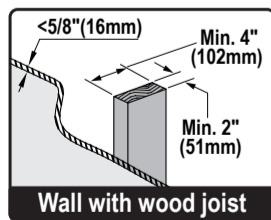


MAX:  
110 lbs (50 kg)

### WARNING

DO NOT exceed the maximum weight indicated. This mounting system is intended for use only within the maximum weights indicated. Use with products heavier than the maximum weights indicated may result in failure of the mount and its accessories, causing possible damage or injury.

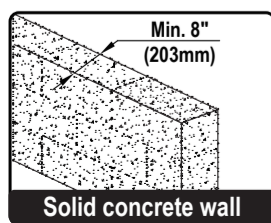
## Verify Your Wall Construction



Wall with wood joist



**CAUTION:** Avoid potential personal injuries and property damage! Drywall covering the wall must not exceed 5/8 in. (16 mm). Minimum wood stud size: nominal 2 x 4 in. (51 x 102 mm) actual 1 1/2 x 3 1/2 in. (38 x 89 mm).



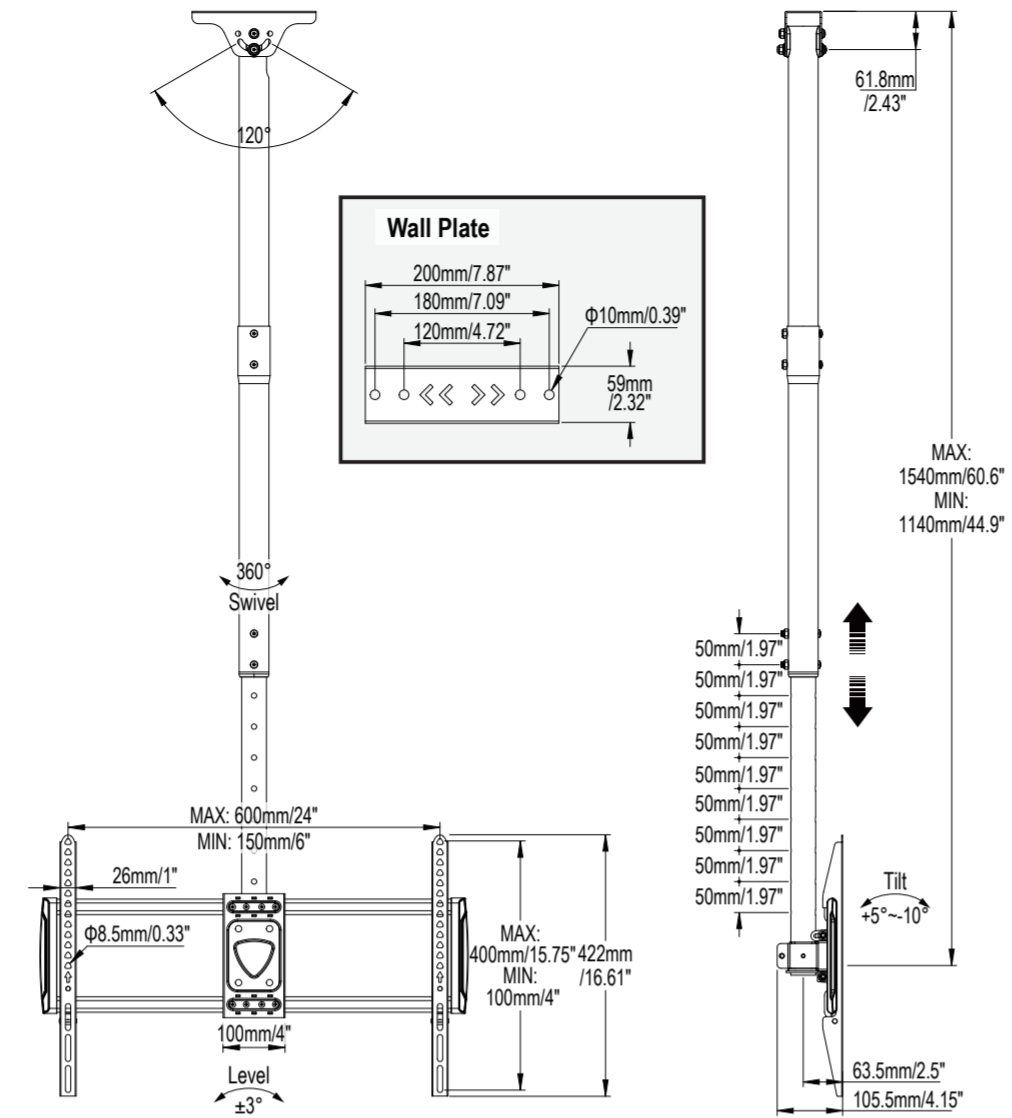
Solid concrete wall



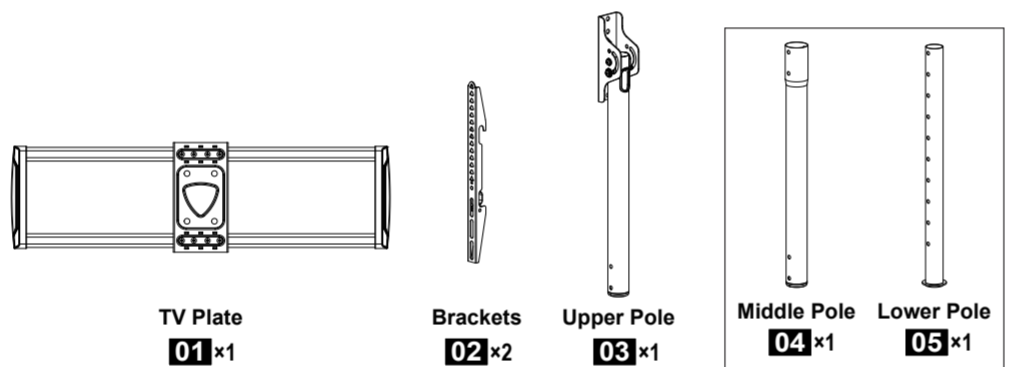
**CAUTION:** Avoid potential personal injuries and property damage! Mount the wall plate assembly directly onto the concrete surface (no surface covering).

**CAUTION:** DO NOT install into drywall alone.

## Product Dimensions

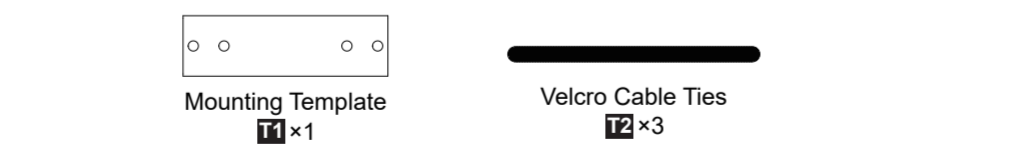


## Supplied Parts and Hardware



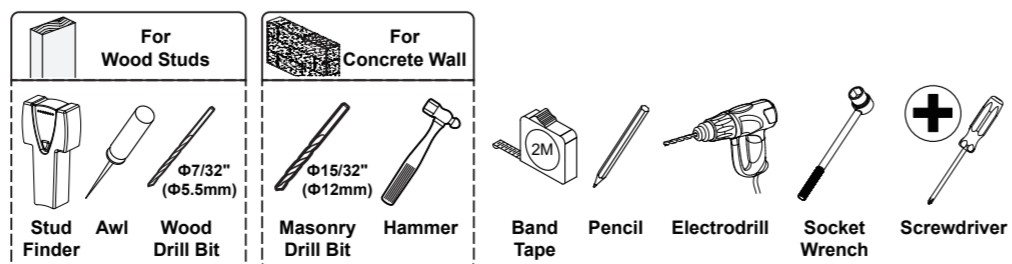
Wall & Product					
Anchor Bolt $\Phi 12 \times 50$ mm	Lag Bolt $\Phi 8 \times 65$ mm	Washer $\Phi 8.5$ mm	Bolt $M8 \times 60$ mm	Locknut $M8$	Allen Key 5mm
Open-end Wrench S10-S13	Socket Wrench S10				

TV					
Philips Screws $M4 \times 12$ mm / $M4 \times 30$ mm	Philips Screws $M6 \times 15$ mm / $M6 \times 30$ mm	Philips Screws $M8 \times 25$ mm / $M8 \times 45$ mm	Spacers H10mm	Washers $\Phi 6$ mm / $M4-5-6$	Spacers H5mm
x4 x4	x4 x4	x4 x4	x8	x4	x8



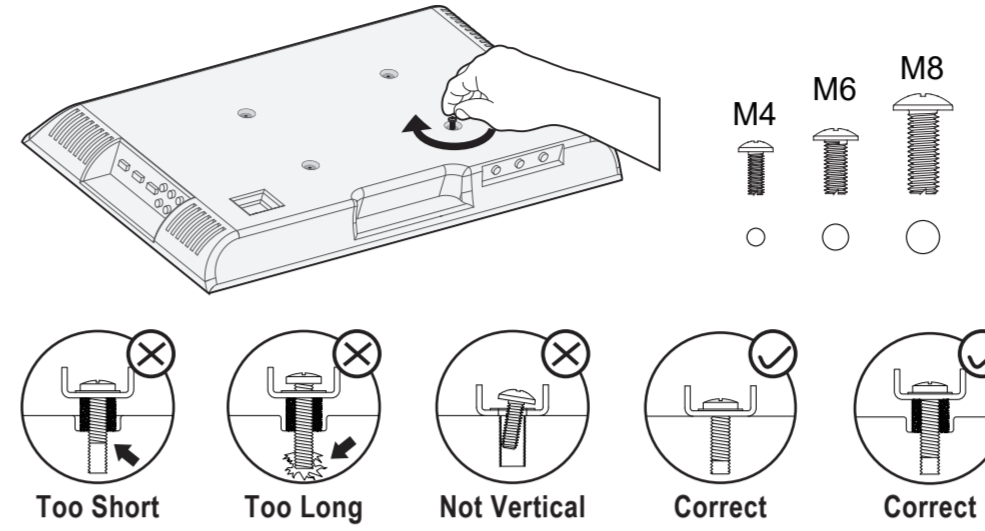
NOTE: Not all parts and hardware included will be used.

## Extra Tools You Need (Not Supplied)



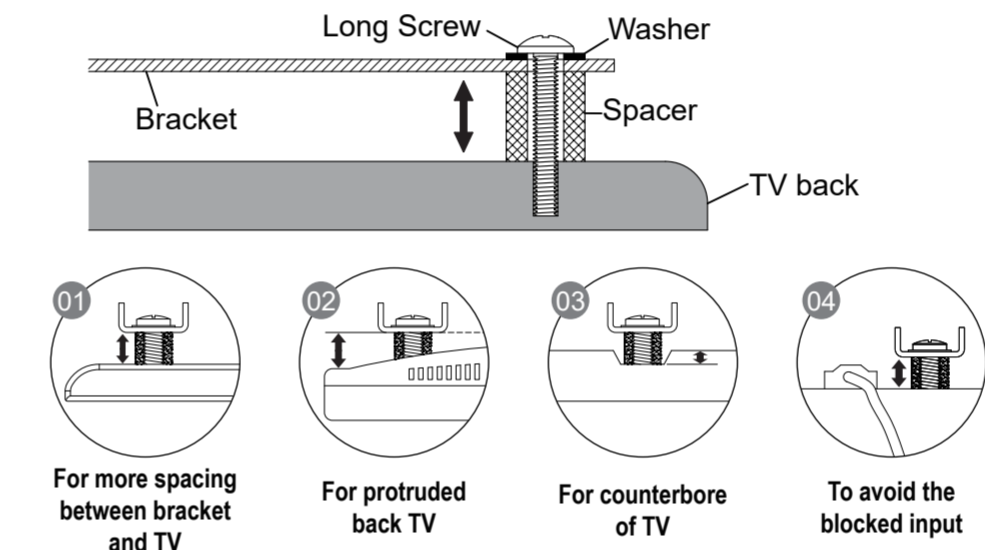
# 1 Attach Brackets to TV

## 1-1 Select TV Screws

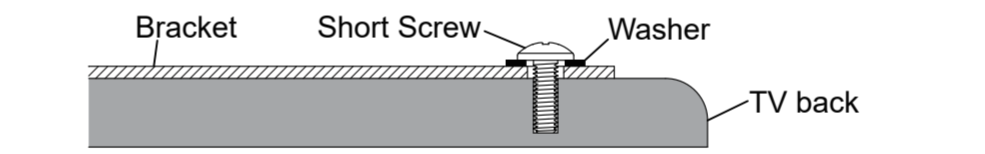


## 1-2 Need Spacer?

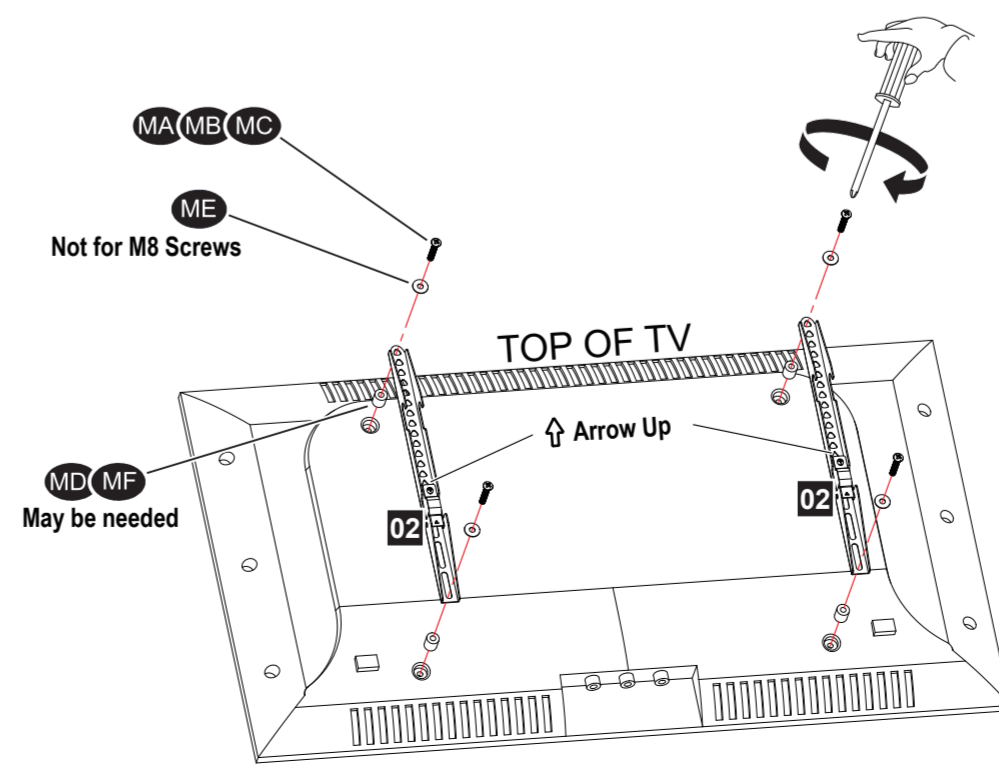
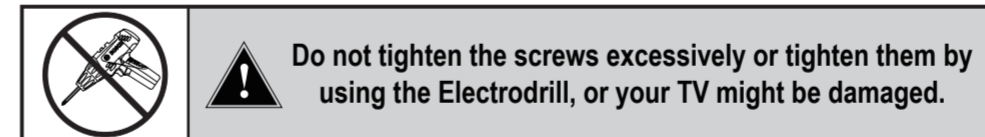
I Yes, choose the appropriate screws, washers, and spacers for your TV.



II No, just choose the screws, washers.

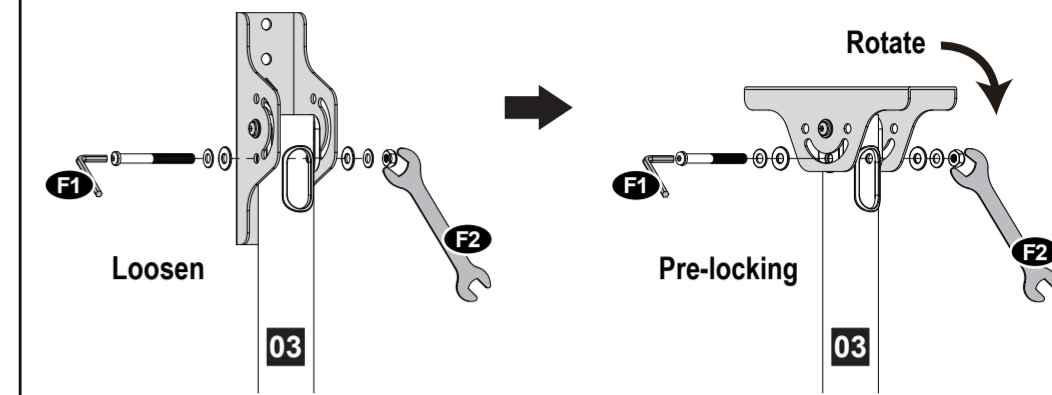


## 1-3

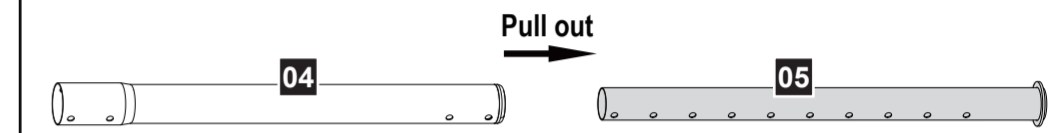


# 2 Assemble the Mount

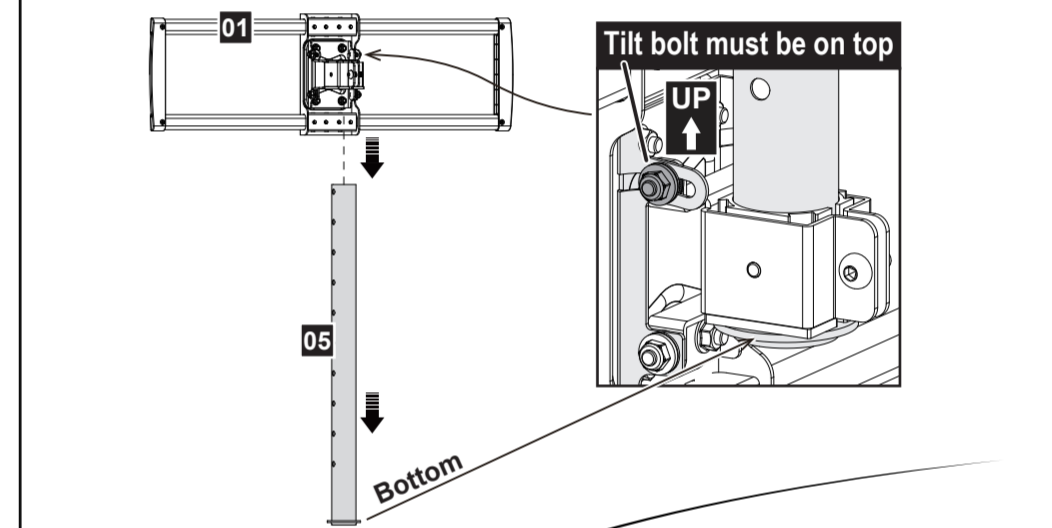
## 2-1 Adjust the installation direction of the upper pole and the wall plate.



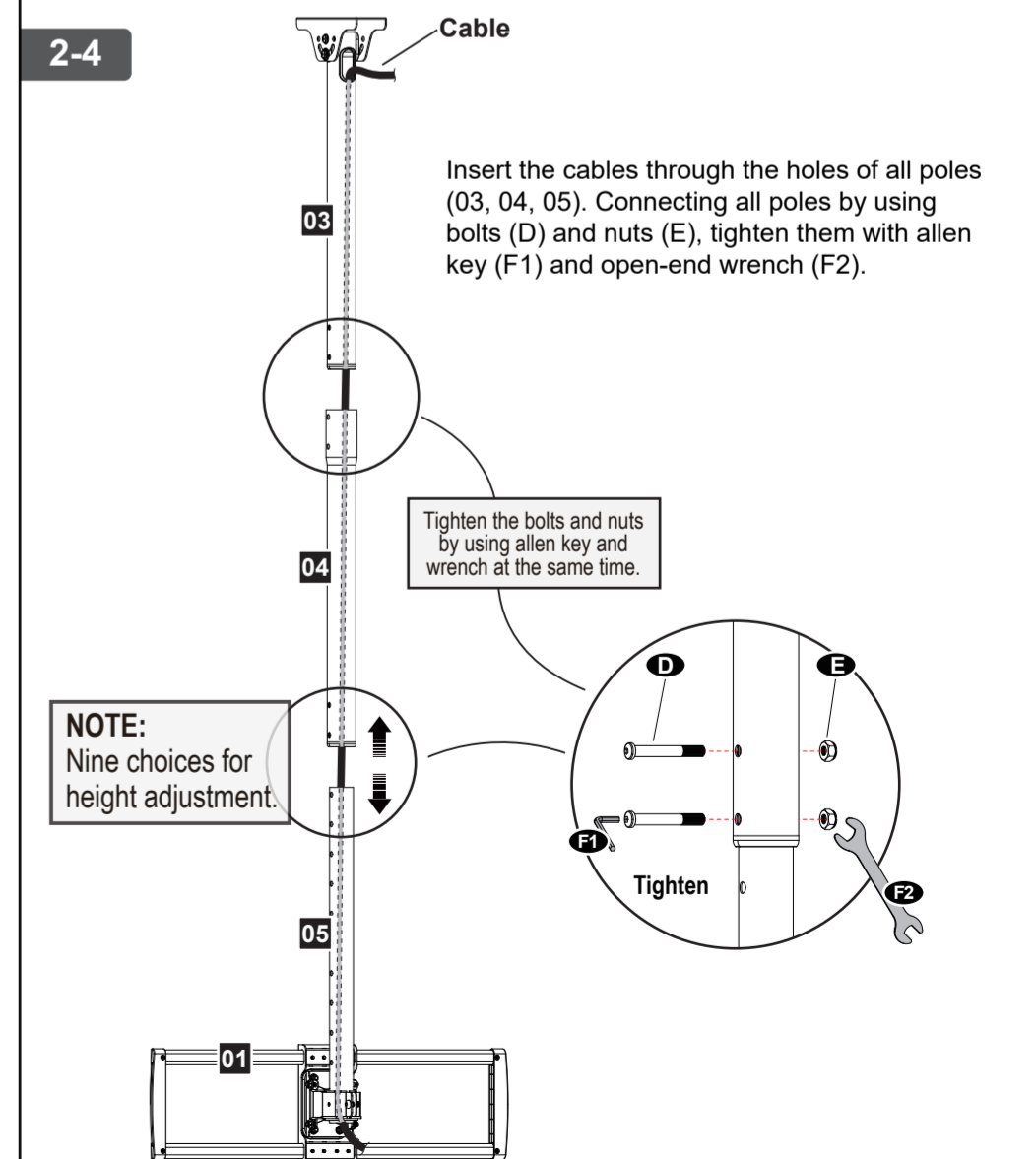
## 2-2 Separate the lower pole (05) from the middle pole (04).



## 2-3 Attach the TV plate (01) to the bottom of the lower pole (05).

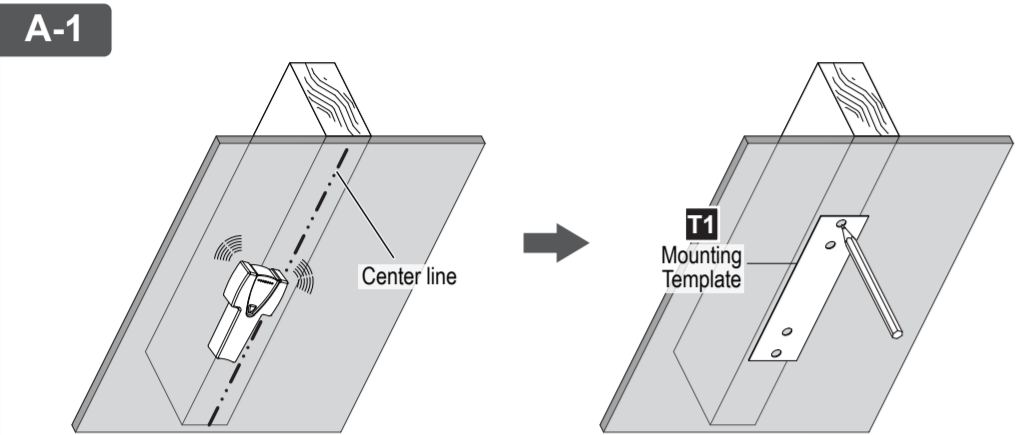
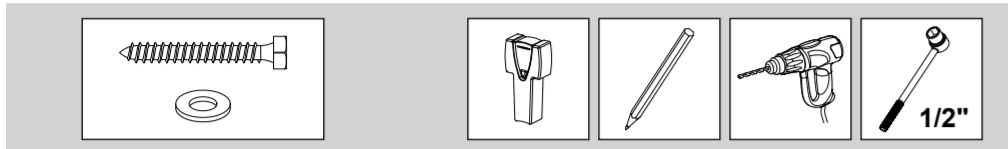


## 2-4



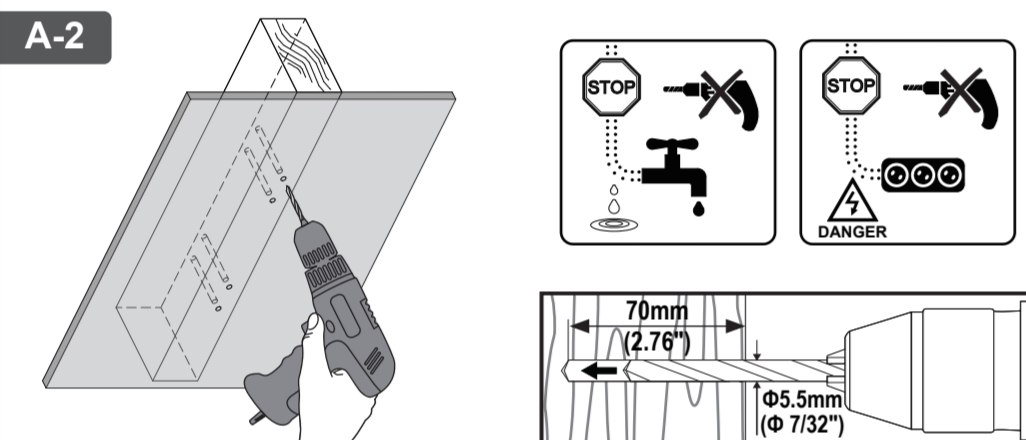
### 3-A Attach Wall Plate to Wall

#### OPTION A: Wood Joist Installation



Locate your studs. Verify and mark the center of the stud by finding the stud edges using awl and stud finder.

Line up the holes with your stud center line. Level the mounting template and mark the pilot hole locations.

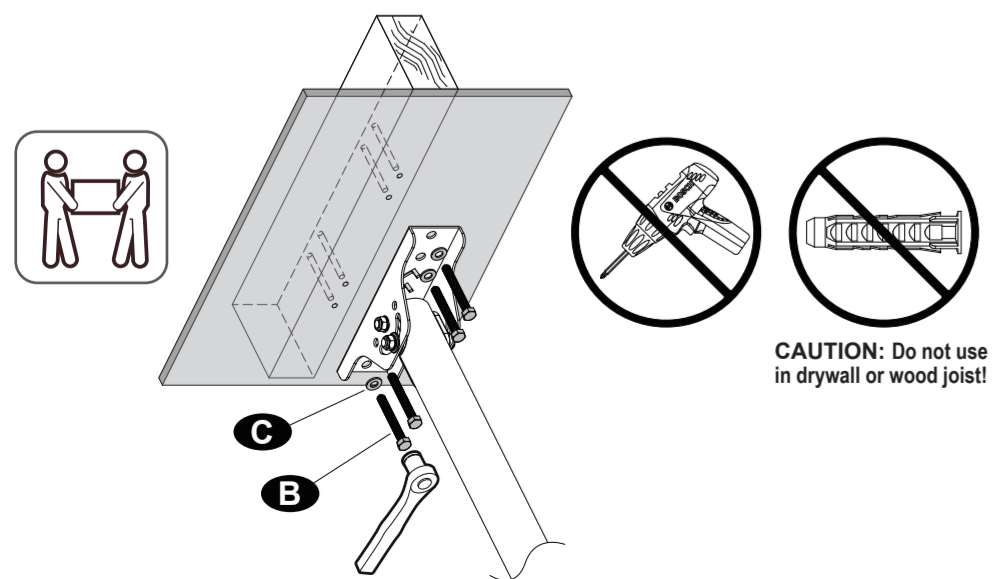


Drill pilot holes using a  $\Phi 7/32$  in ( $\Phi 5.5$ mm) diameter drill bit.

**IMPORTANT:** Do not drill holes into where water pipes or electrical wires are located. Be sure to drill into the center of the stud.

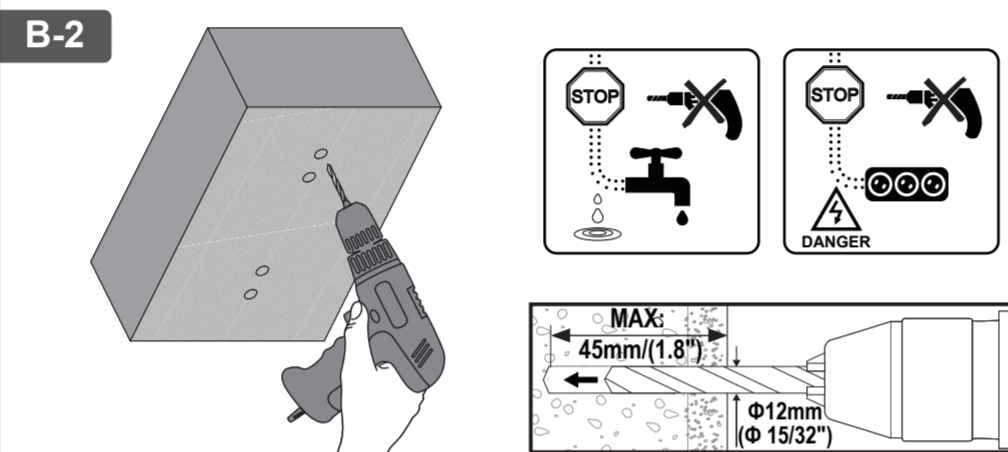
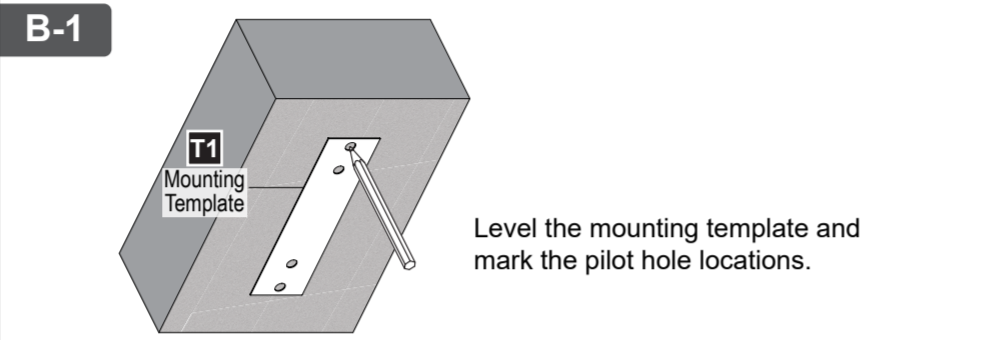
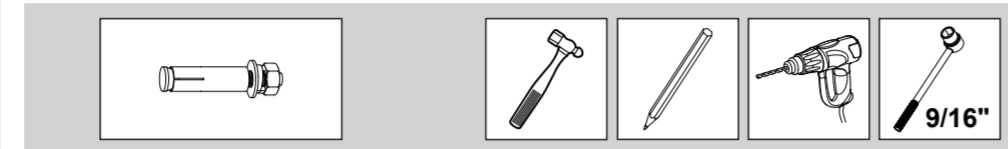
Install wall plate unit using lag bolts **B** and Washers **C** with Socket Wrench, **NO Electrodrill**. No anchors when installed onto the wood studs.

**CAUTION:** To avoid potential personal injury or property damage: All 4 lag bolts **B** **MUST BE** firmly tightened to prevent unwanted movement of the wall plate assembly. Ensure the wall plate assembly is securely fastened to the wall before continuing on to the next step.



### 3-B Attach Wall Plate to Wall

#### OPTION B: Solid Concrete Wall Installation

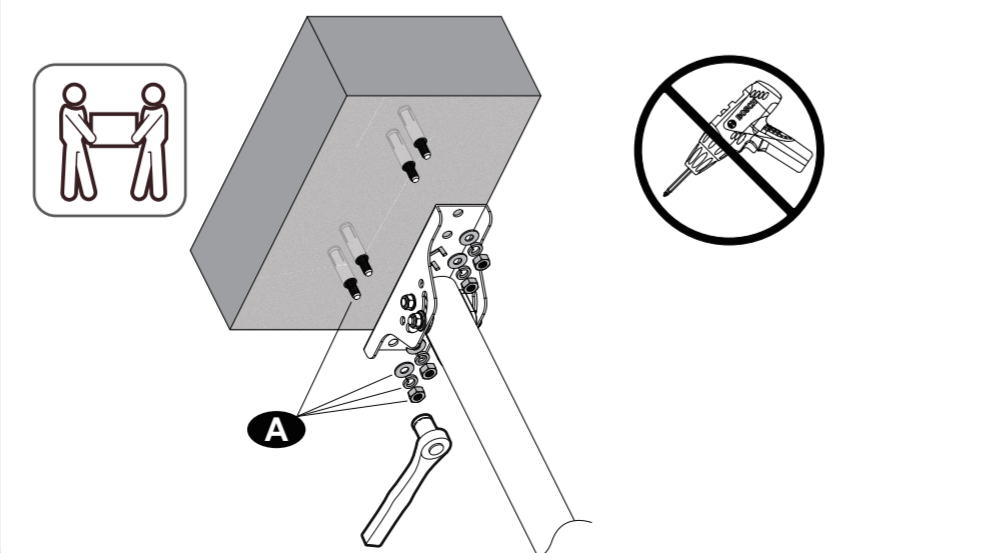
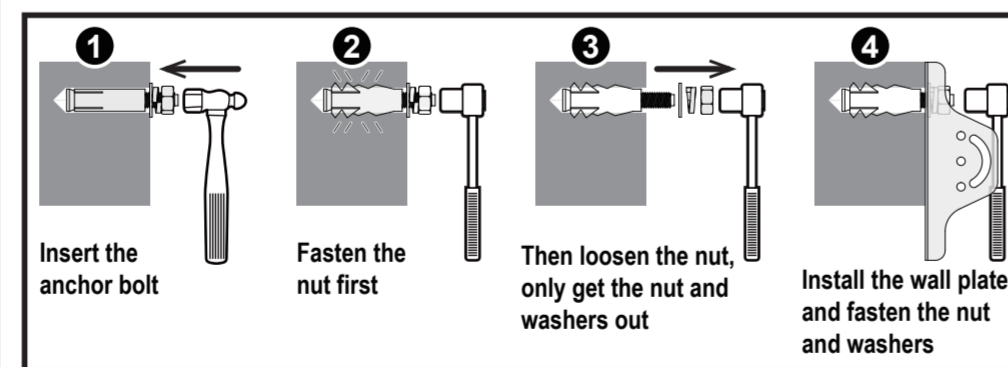


Drill pilot holes using a  $\Phi 15/32$  in ( $\Phi 12$ mm) diameter drill bit.

**IMPORTANT:** Do not drill holes into where water pipes or electrical wires are located, or mortar between blocks.

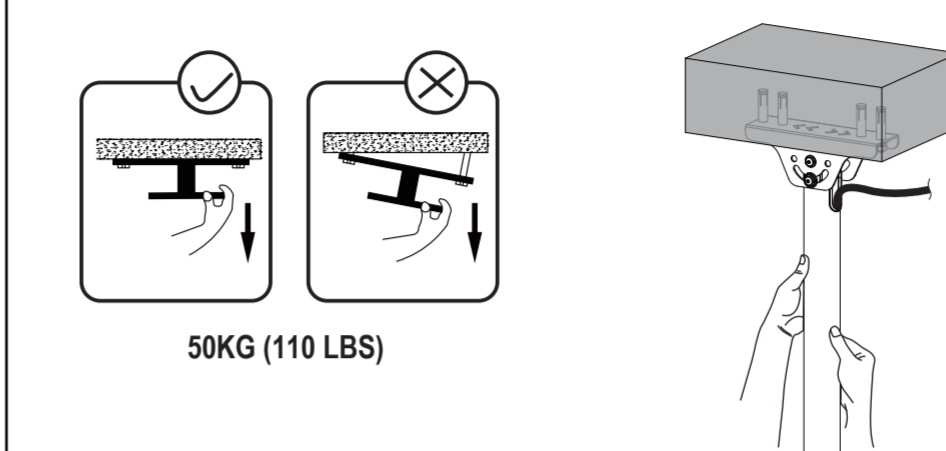
Use the hammer to knock anchor bolts into the concrete wall. Install wall plate unit using anchor bolts **A** with Socket Wrench, **NO Electrodrill**.

**CAUTION:** To avoid potential personal injury or property damage: All 4 anchor bolts **A** **MUST BE** firmly tightened to prevent unwanted movement of the wall plate assembly. Ensure the wall plate assembly is securely fastened to the wall before continuing on to the next step.

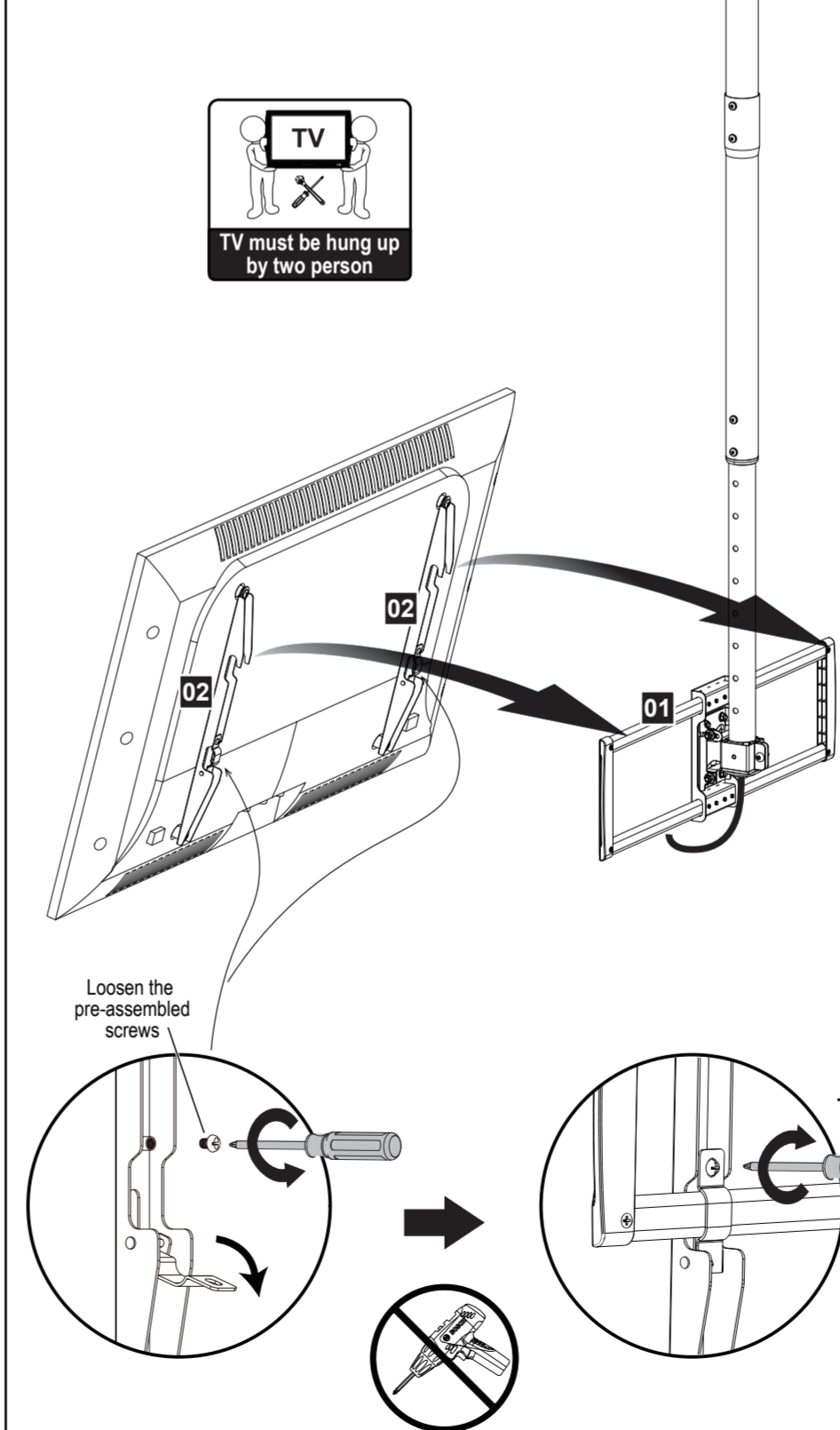


### 4 Hang and Secure TV to Wall Plate

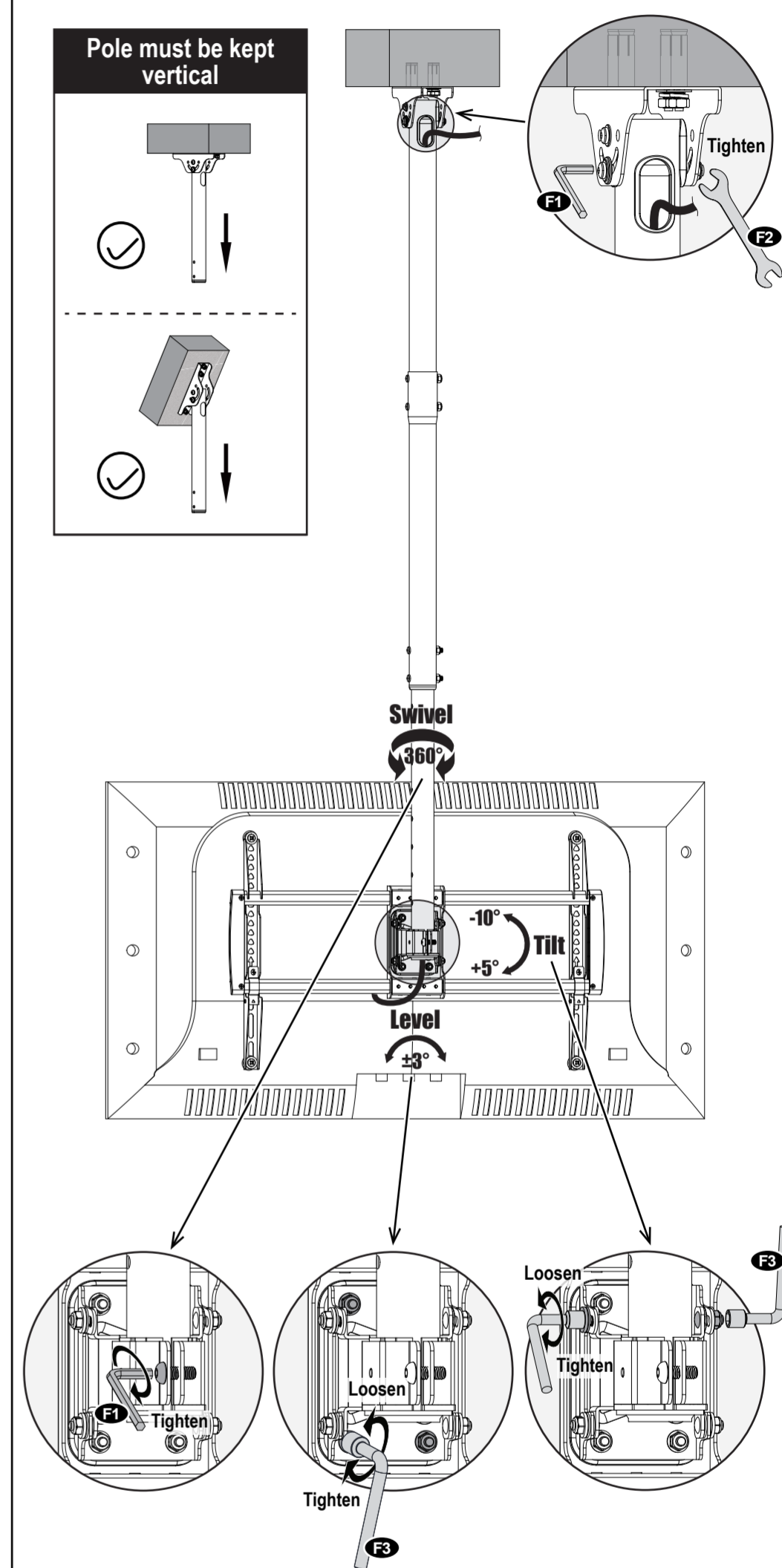
4-1 Before hanging TV, please conduct "wall plate installation integrity test" first.



4-2 Hang and secure TV assembly onto the wall plate.



### 5 Adjustments



1. Loosen the adjusting bolts or nuts.
2. Adjust TV to your desired angle.
3. Retighten the adjusting bolts or nuts to fix the intended angle.