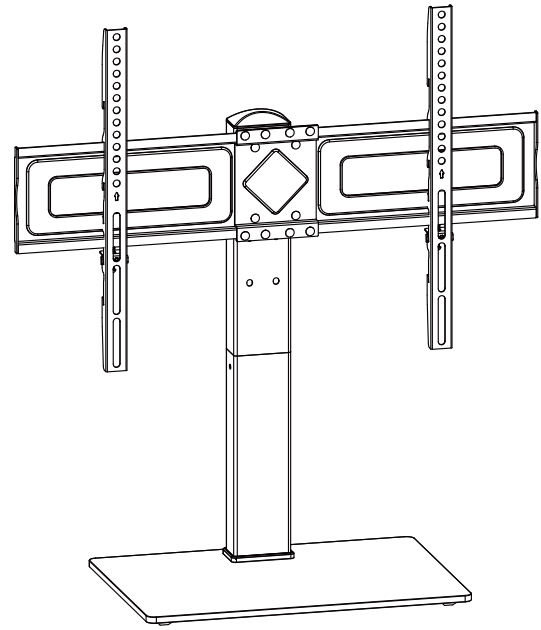


# INSTALLATION INSTRUCTION



**RATED**  
88 lbs  
40 kg

Min: 150x100mm / 6x4"  
Max: 600x400mm / 24x16"

(YZ2210-US1)

If you have any questions, please feel free to contact us via Amazon.

## Safety Caution

### BEFORE ASSEMBLY

- Layout all components and hardware. Check all parts are included and undamaged.
- Should anybody intends to install or use this TV stand, please read and understand this manual carefully.
- If you do not understand these instructions or have any doubt about the safety instructions, assembly or use of this product, please contact our customer service.

### WARNING

- This product contains small items that could be a choking hazard if swallowed.
- **KEEP AWAY FROM CHILDREN UNDER 3 YEARS OLD. ADULT SUPERVISION IS REQUIRED.**
- Improper installation, such as using the product for monitors over its load capacity or for any purpose not explicitly specified, may cause damage or serious injury. We would not be liable for any damage or injury caused by improper mounting or inappropriate use.

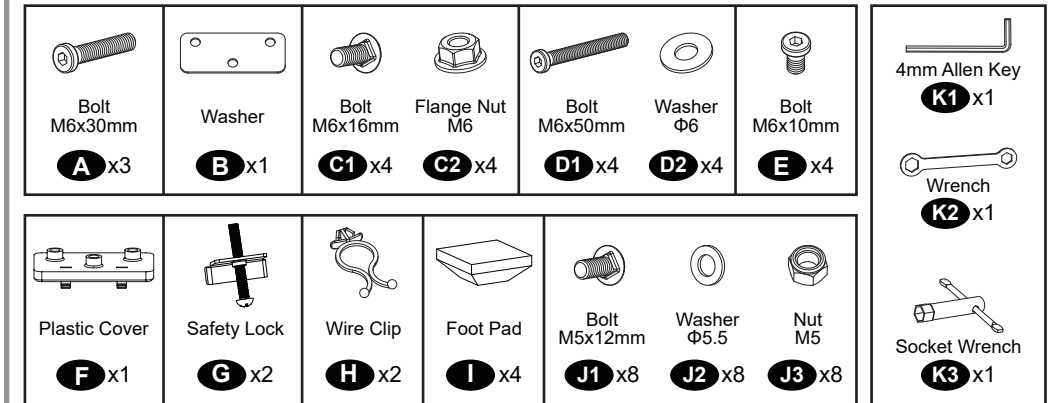
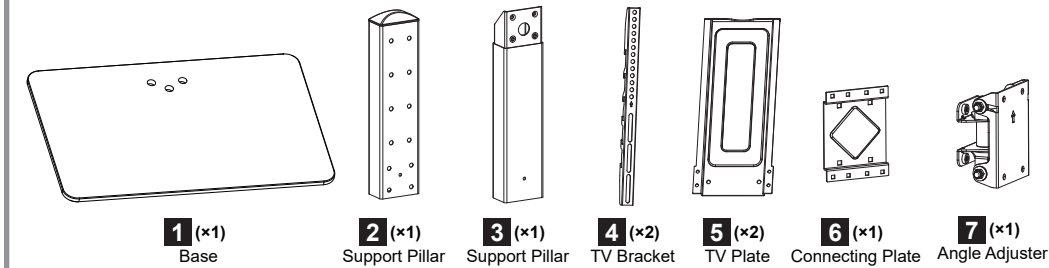
### CAUTION AND MAINTENANCE

- Never allow children to climb, stand, hang, or play on any part of TV or stand.
- This product is intended for indoor use only. Using this product outdoors could lead to product failure and personal injury.
- Check that the bracket is secure and safe to use at regular intervals (at least every three months).

### Installation Tools (Not Included)



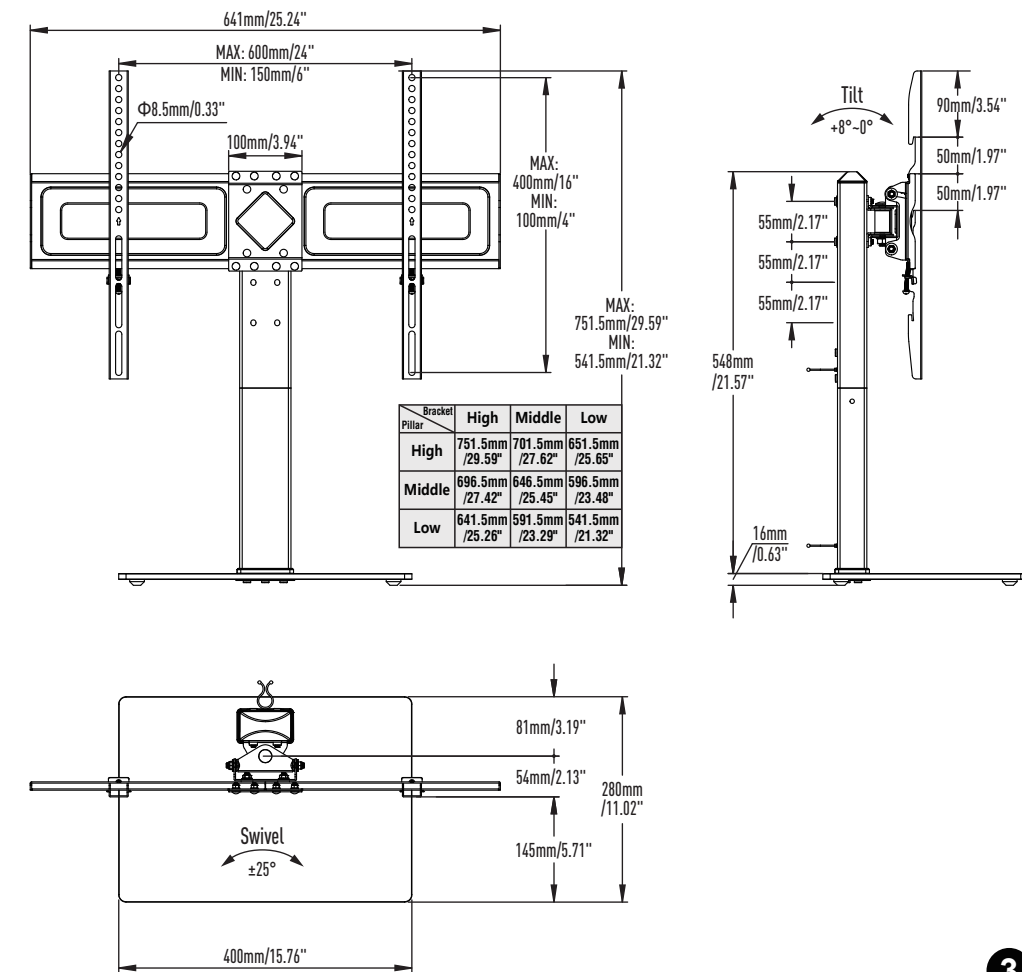
## Supplied Parts and Hardware



Hardware (TV)							
Philips Screws M6 x 15mm <b>MA</b> x4	Philips Screws M6 x 30mm <b>MB</b> x4	Philips Screws M8 x 15mm <b>MC</b> x4	Philips Screws M8 x 45mm <b>MD</b> x4	Philips Screws M8 x 65mm <b>ME</b> x4	Washer Φ5 / Φ8 <b>MF</b> x8	Spacers H5mm <b>MG</b> x8	Spacers H10mm <b>MH</b> x8

NOTE: Not all hardware included will be used.

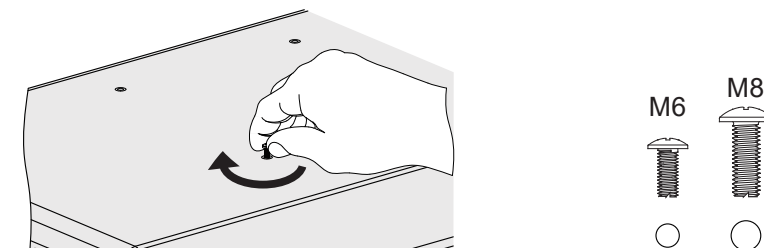
## Product Dimensions



## STEP 1: Attach the Brackets to TV

### 1-1 Select TV Screw Length

Thread screws by hand into the threaded holes on the back of your TV after selecting which screw diameter fits your TV.



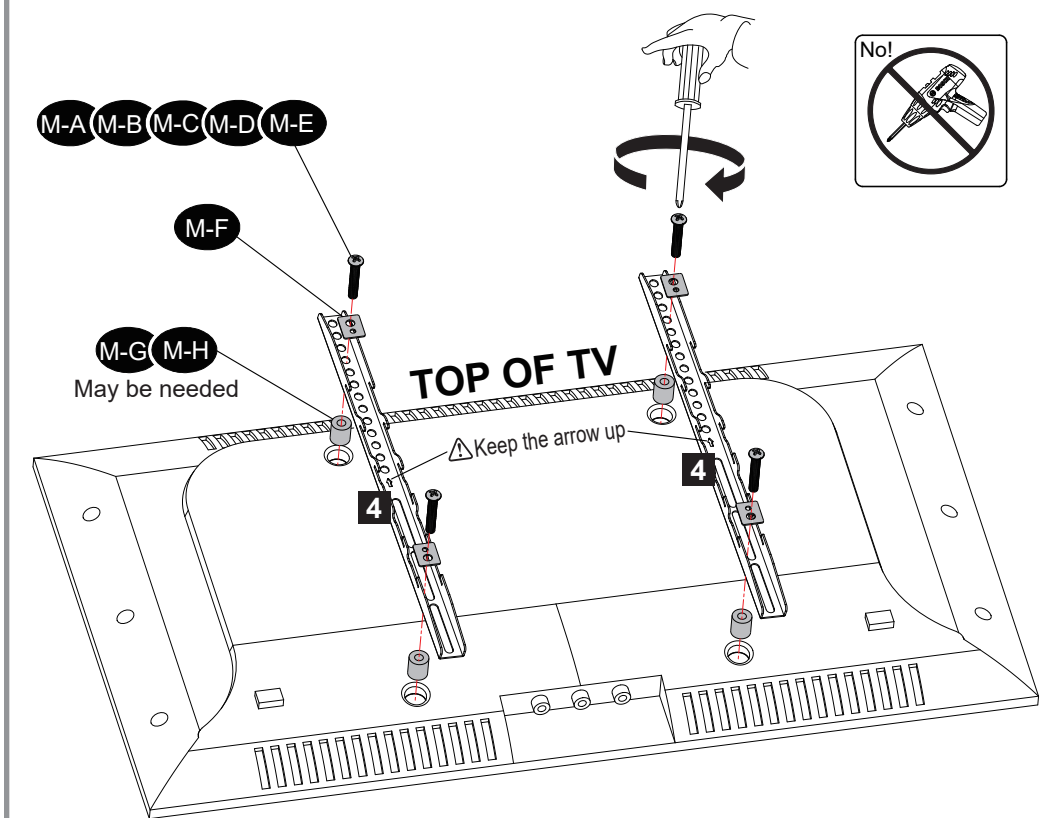
### 1-2 Select TV Screw Length

⚠ When attaching plate to the flat screen, be careful not to over tighten screws and be sure that screws do not bottom out in the mounting holes.



## STEP 1: (Continued)

### 1-3 Attach the TV Brackets

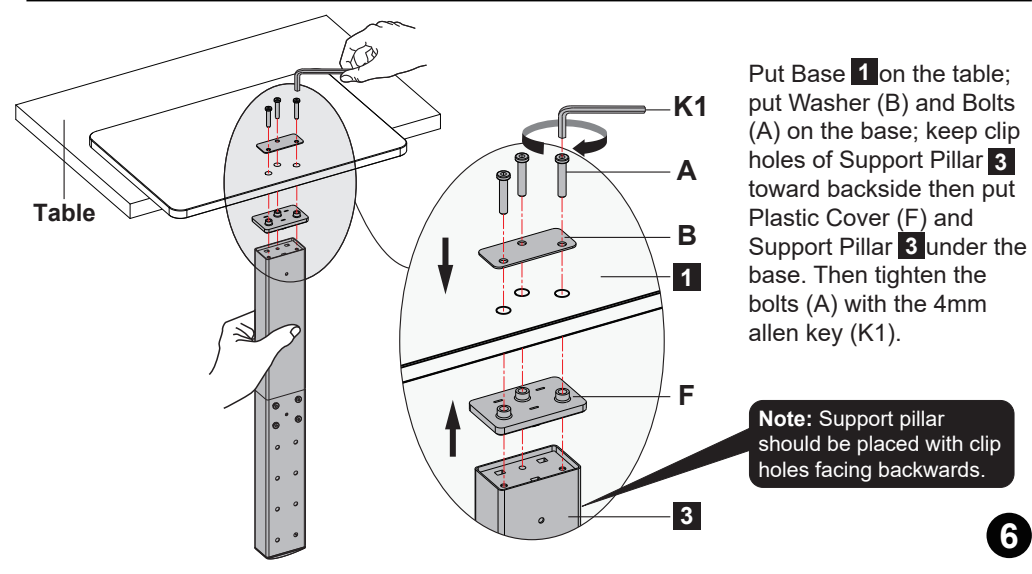
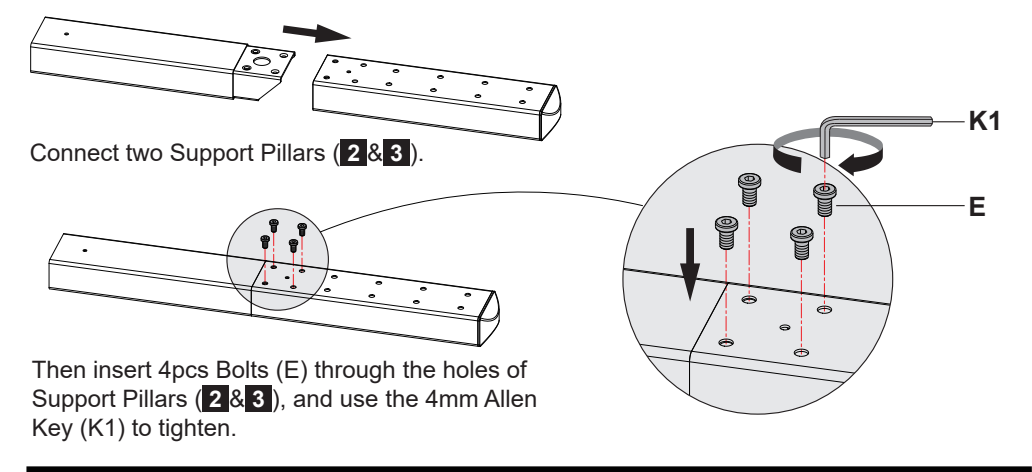


3

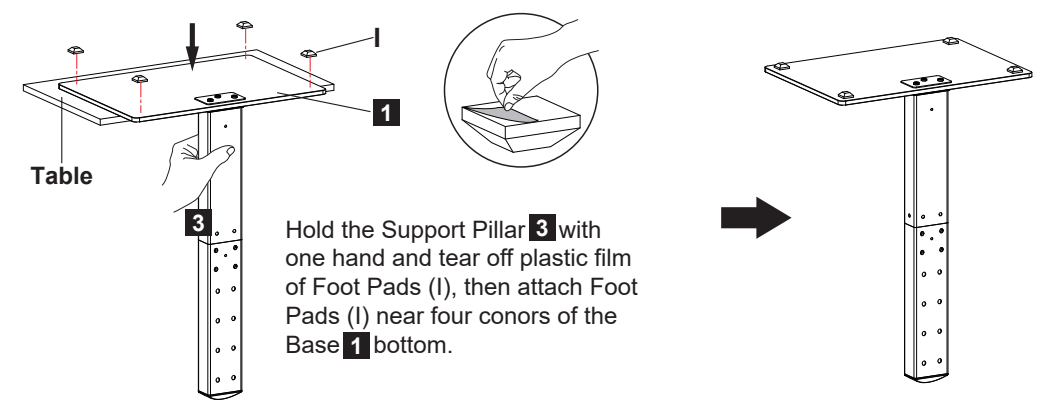
4

5

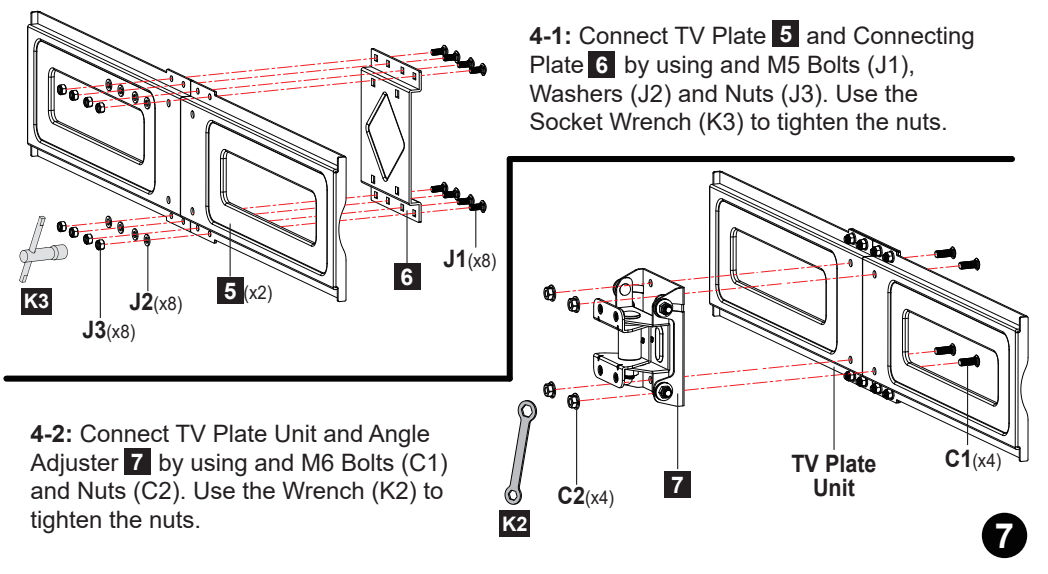
## STEP 2: Support Pillar Installation



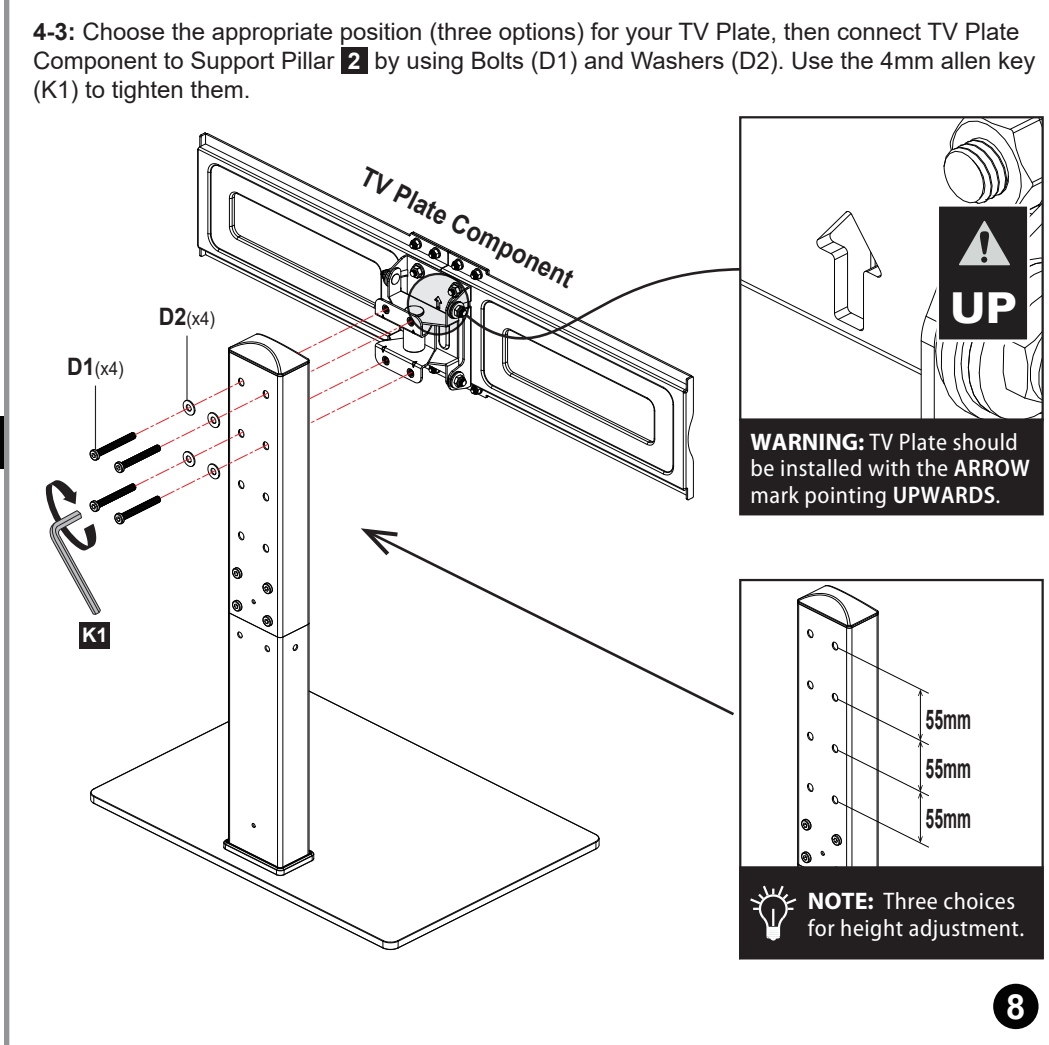
## STEP 3: Apply Foot Pads to the Base



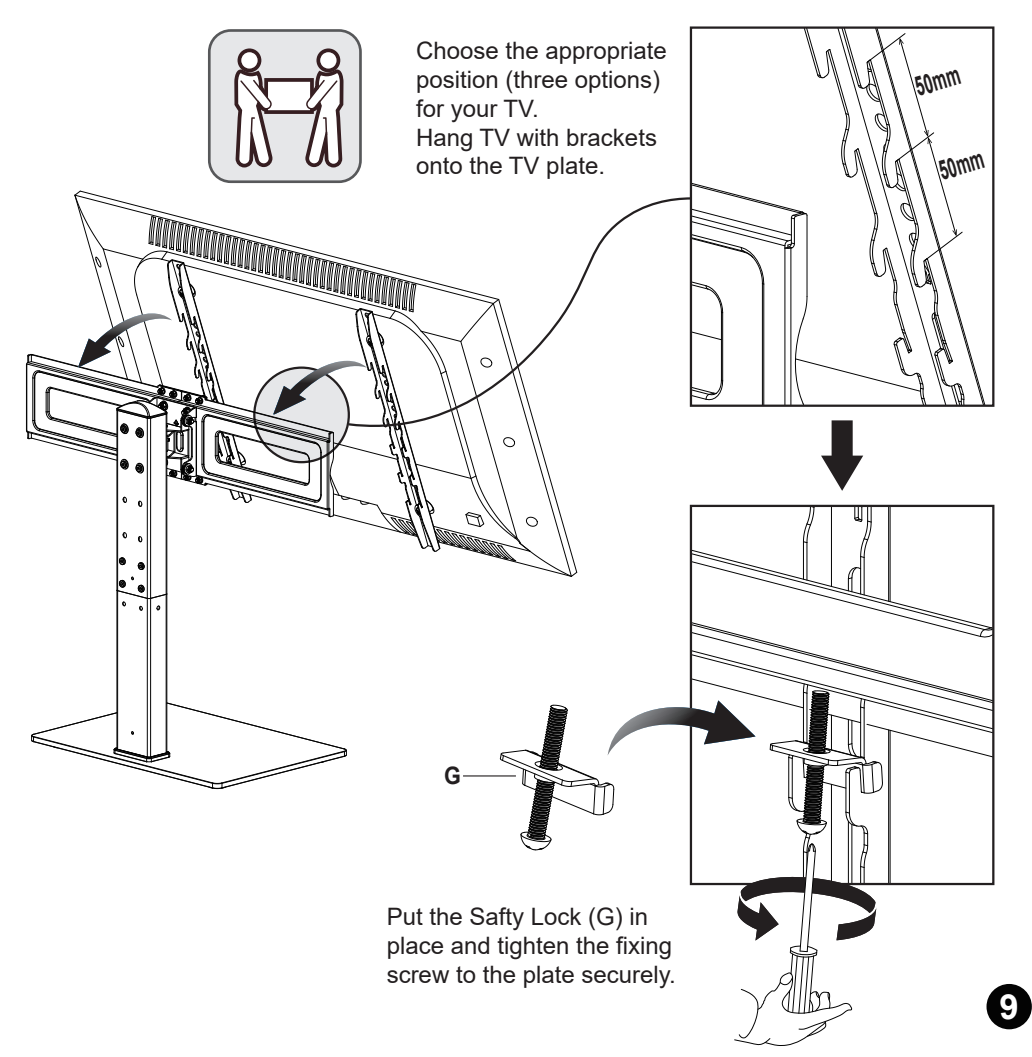
## STEP 4: TV Plate Installation



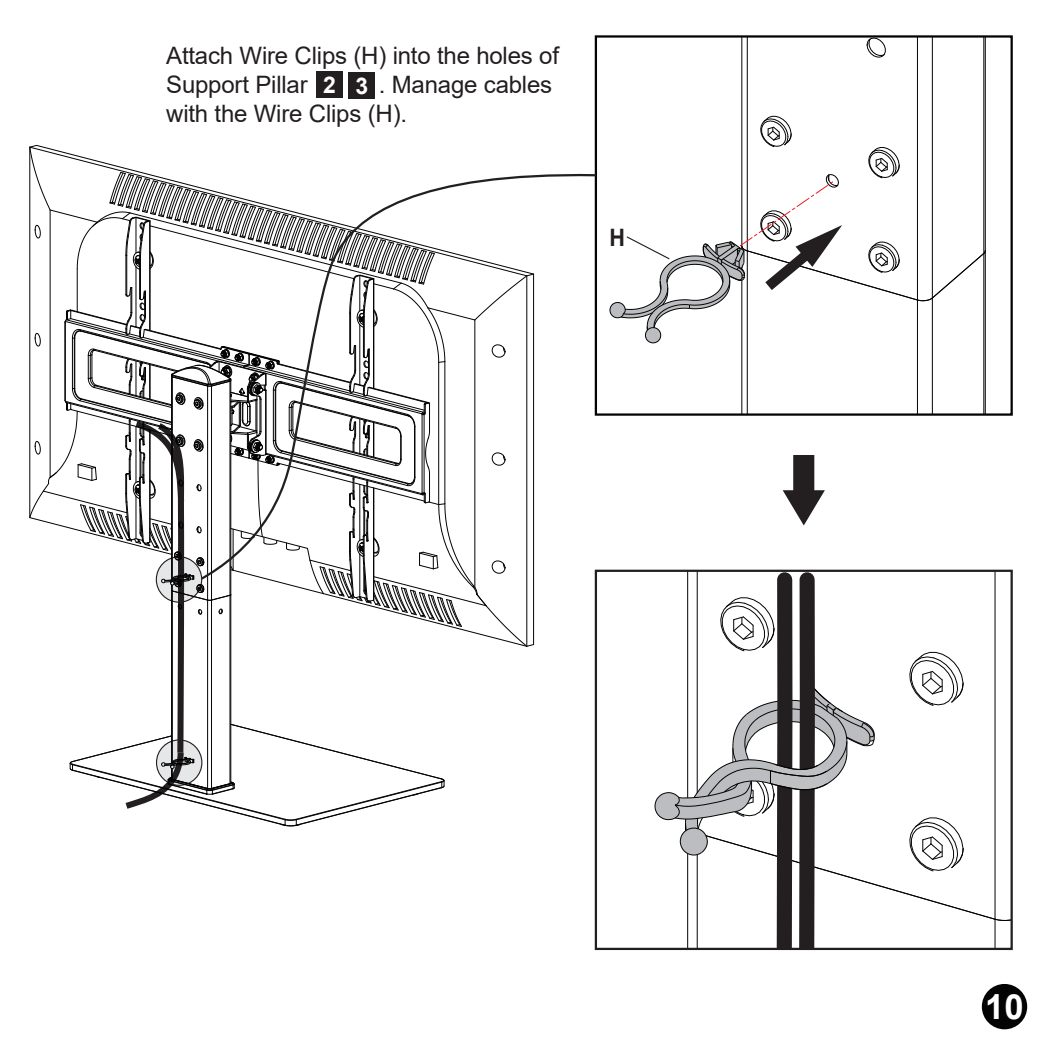
## STEP 4: (Continued)



## STEP 5: Attach TV with Brackets to TV Plate



## STEP 6: Cable Management



## STEP 7: Adjustments (If necessary)

