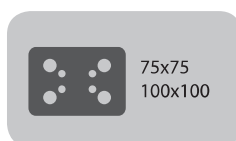
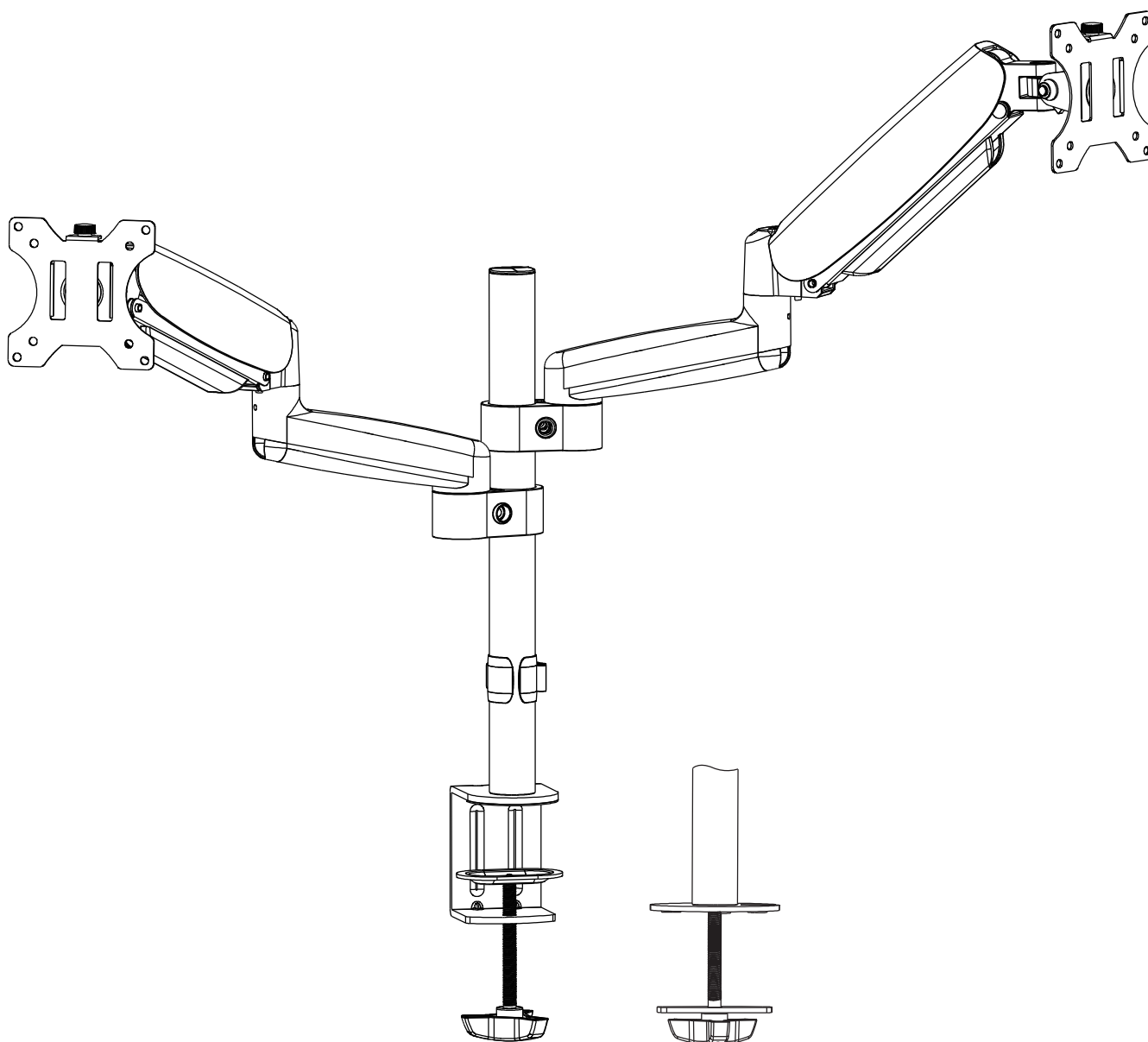

Height Adjustable Dual Monitor Desk Mount

Instruction Manual



⚠ WARNING!

If you have any confusions or are not quite sure about the installation, please do not hesitate to ask for our help.

Before assembly, please check and make sure all necessary accessories are included and undamaged. Improper installation, such as use the product for monitors over its load capacity or for any purpose not explicitly specified, may cause damage or serious injury. We would not be liable for any damage or injury caused by improper mounting or inappropriate use.

The kit contains small items that could be choking hazards if swallowed. Please keep them OUT OF REACH OF CHILDREN UNDER 3 YEARS OLD. ADULT SUPERVISION IS REQUIRED.

PACKAGE CONTENTS

A (x2)
Lower Arm

B (x2)
Upper Arm

B1 (x2)
Cable Cover

C (x1)
Clamp

All are included in C

Bracket C1

Clip Plate C2

Bolt C4

Bolt Y C3

All are included in A

A1

A2

D (x1)
Pole

E (x2)
VESA Plate

F (x1)
Wire clip

G (x3)
Bolt

H (x2)
Bolt

I (x1)
Support Plate

J (x1)
Base Plate

K (x1)
3mm Allen Key

L (x1)
4mm Allen Key

M (x1)
6mm Allen Key

M-A (x8)
M4 x 12mm

M-B (x8)
M4 x 16mm

M-C (x8)
M6 x 12mm

M-D (x8)
M6 x 16mm

M-E (x8)
D6 Washer

M-F (x8)
Spacer H5mm

NOTE: Not all hardware included will be used.



DO NOT EXCEED WEIGHT CAPACITY.

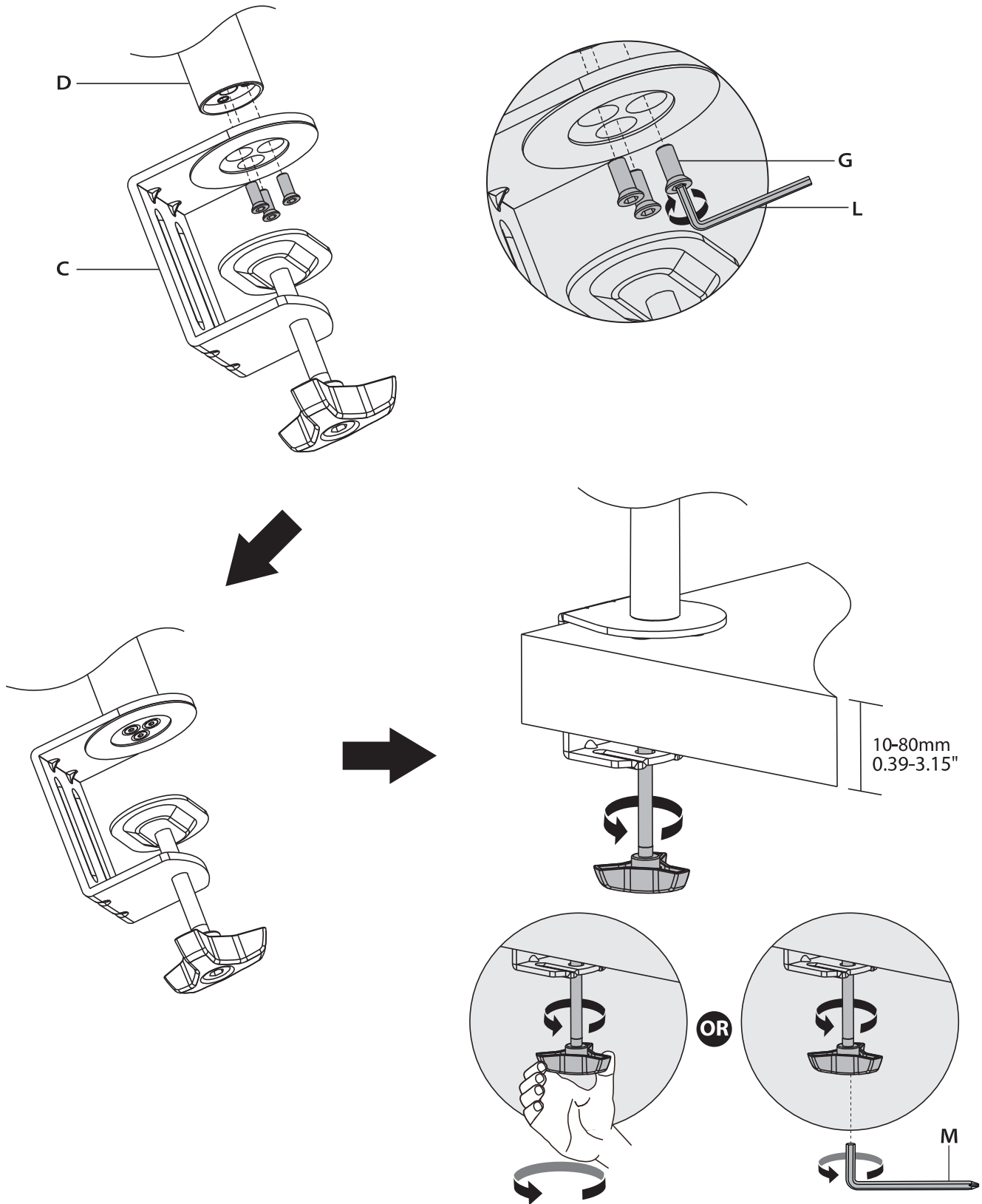
ASSEMBLY STEPS

STEP 1: Clamp Installation OR Grommet Base Installation

OPTION A: Clamp Installation

Install the Clamp (C) to the Pole (D) using 3pcs Bolt(G). Tighten using 4mm Allen key (L).

Secure stand to the desktop by tightening the plastic knob or by using 6mm Allen key (M).

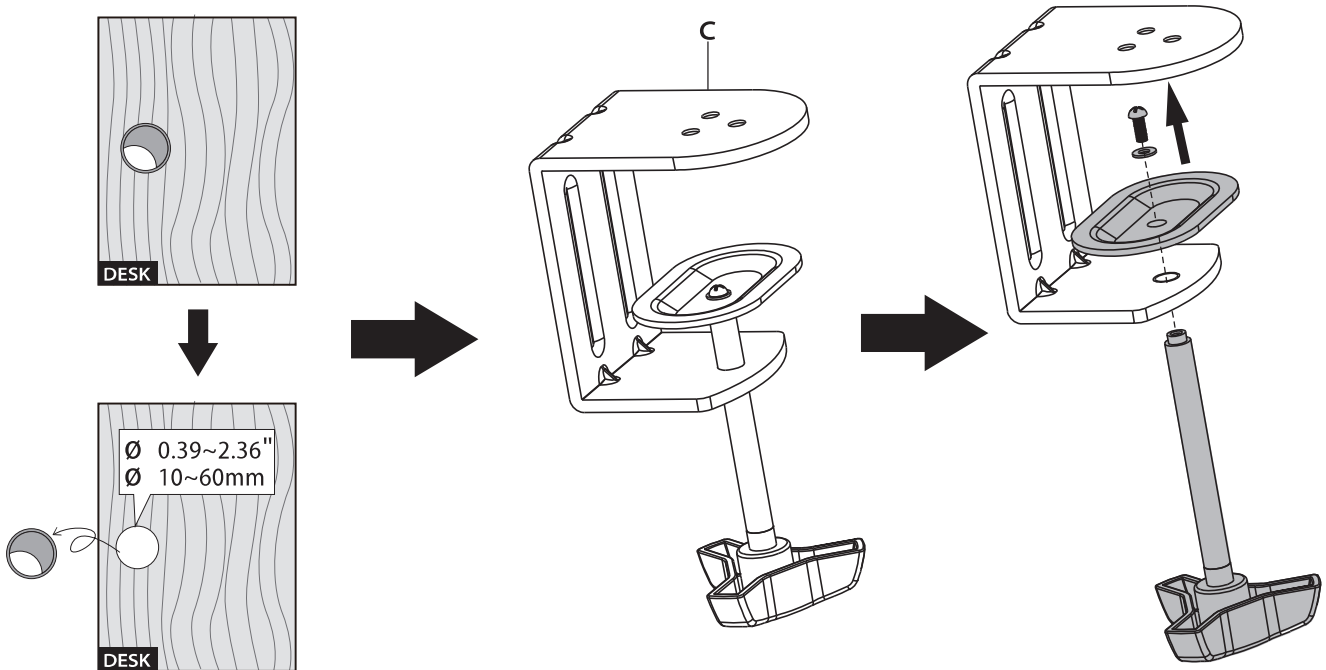


STEP 1: (Continued)

OPTION B: Grommet Base Installation

If existing grommet hole comes with a plastic protector, remove it to ensure a flat surface before installing the desk mount.

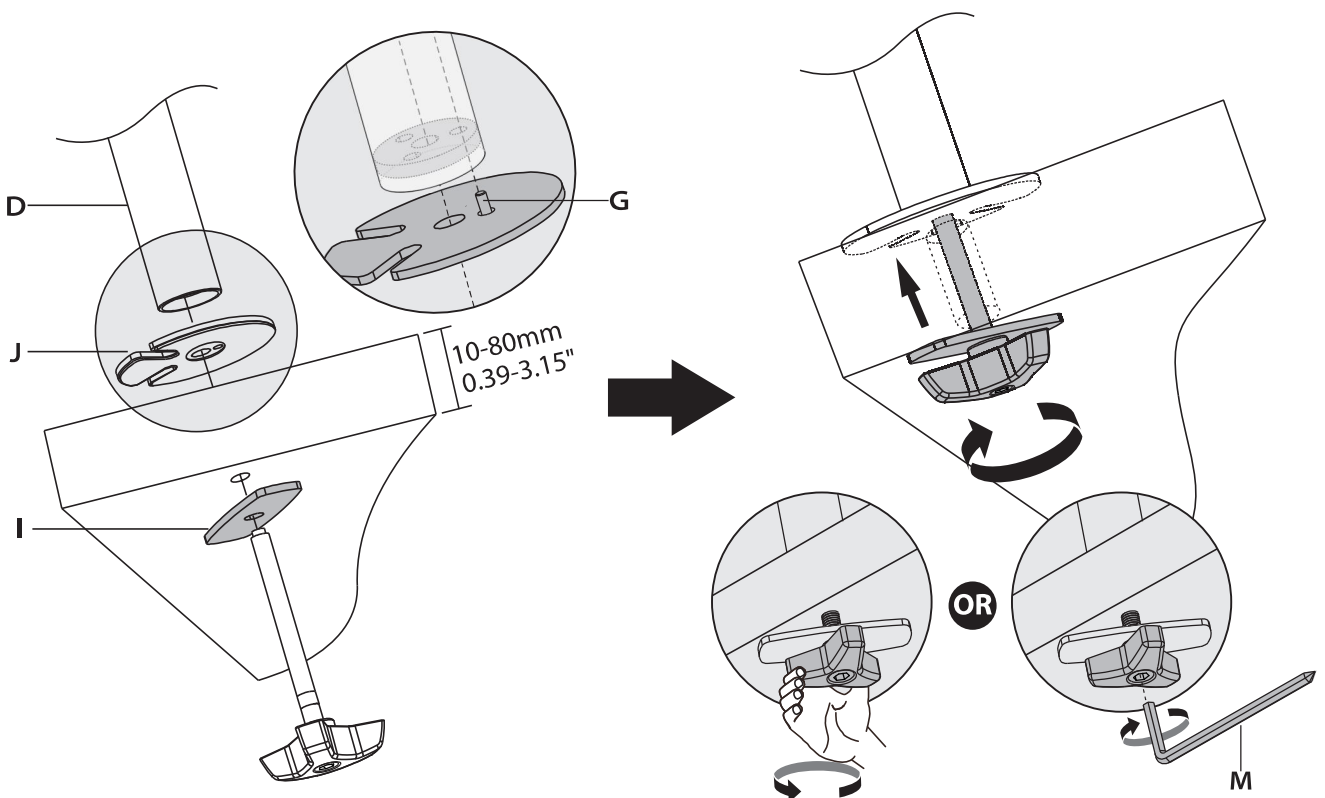
Loosen the screw, separate the clamp (C) into two parts.



Install the Base Plate (J) to the Pole (D) using 1pc of Bolt (G).

Install the pole (D) on the desktop using the support plate (I) and the bolt separated from clamp (C).

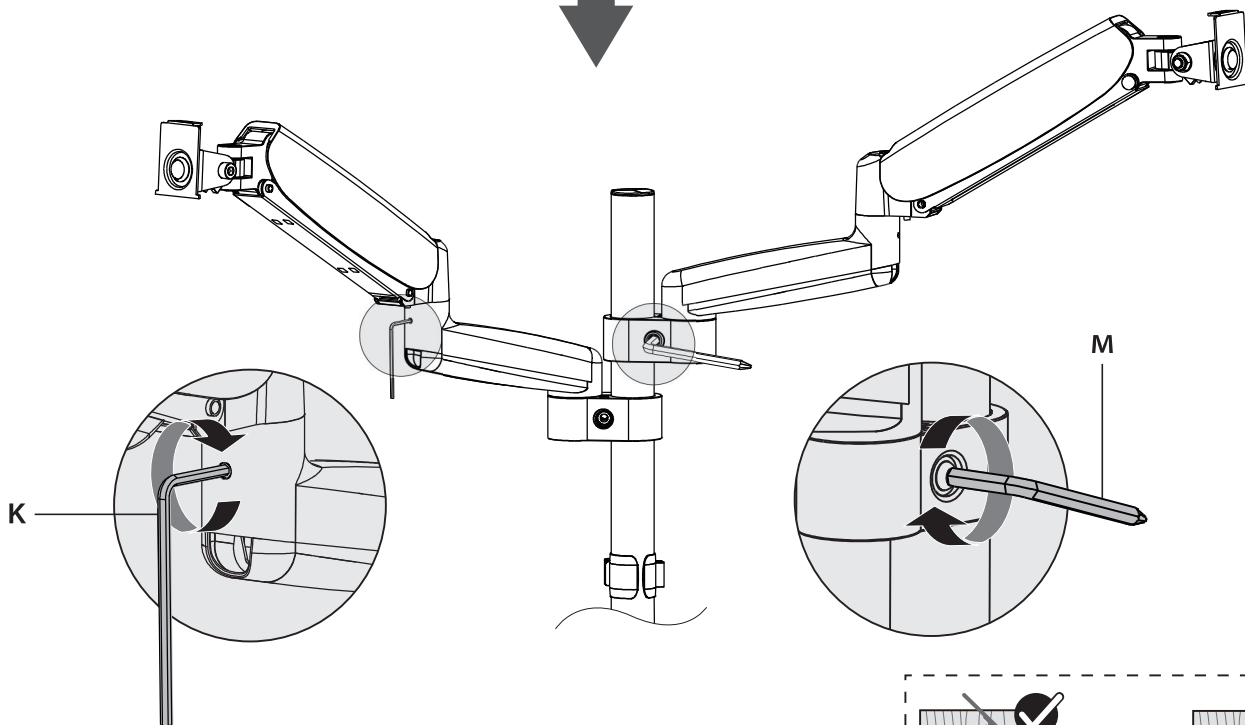
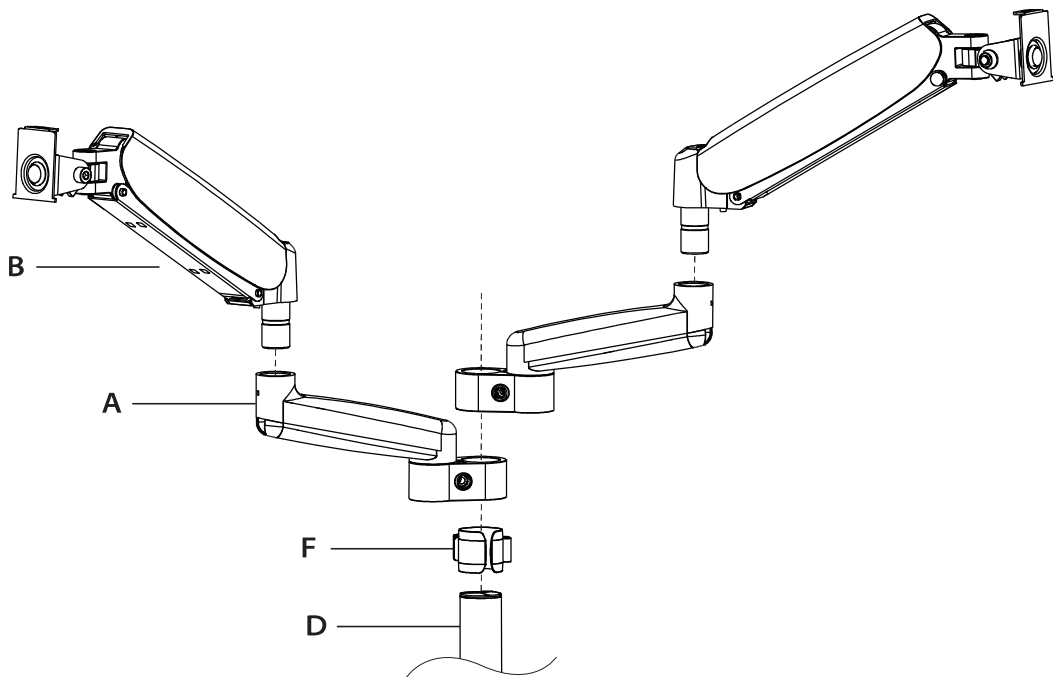
Secure stand to desktop by tightening the plastic knob or by using 6mm Allen key (M).



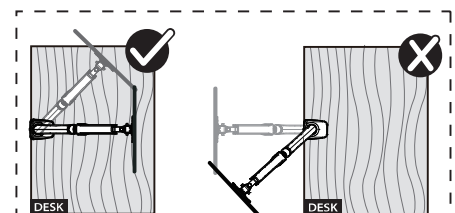
STEP 2 : Arm Installation

Install the wire clip(F) and swivel arm(A and B) to the pole(D).

Fasten the bolt with supplied 6mm Allen key (M) and 3mm Allen key (K)



Just tighten the bolt, do not over tighten it in case the cast aluminum part could be damaged.

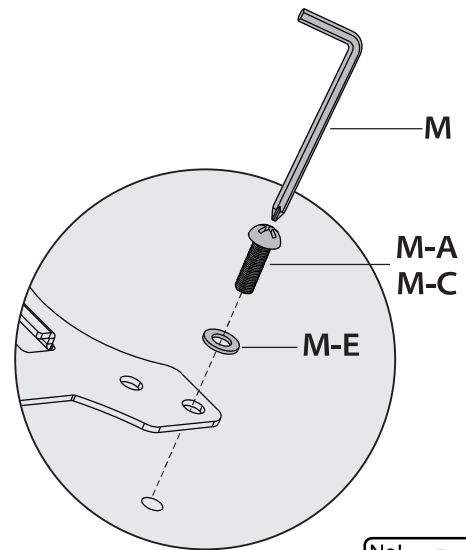
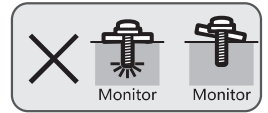
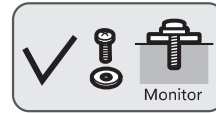
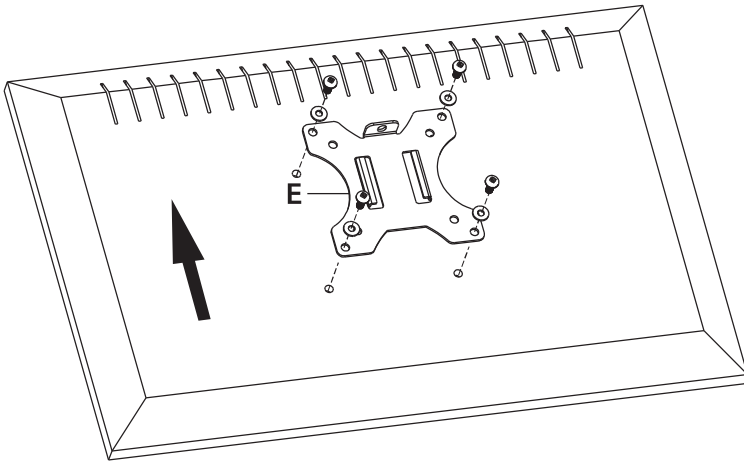


Please do not move stand outside desk for safety!

STEP 3 : Attach Monitor

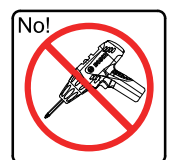
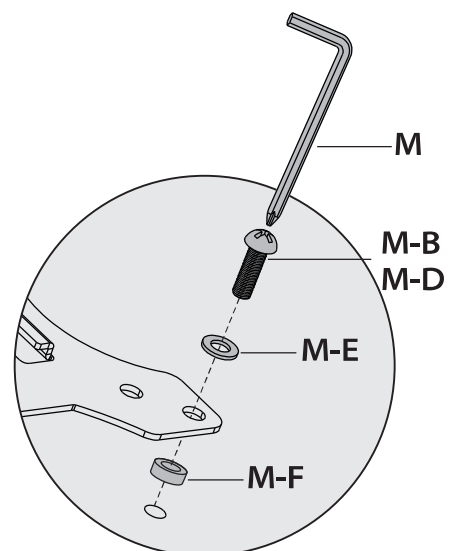
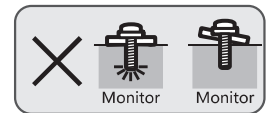
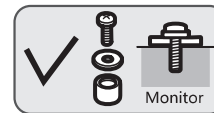
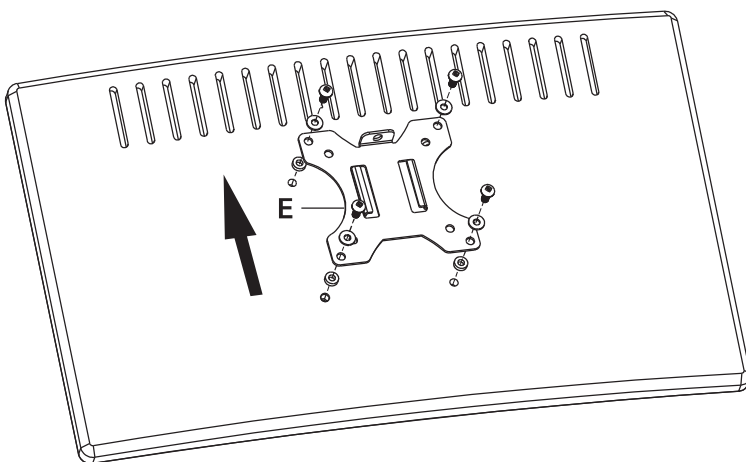
OPTION A: Flat Back Monitor

Attach the VESA plate (E) to back of monitor and secure it with screws (M-A) or (M-C) and washers (M-E) using 6 mm Allen Key (M). Do not tighten the screws excessively or it might damage your monitor.



OPTION B: Curved Back Monitor

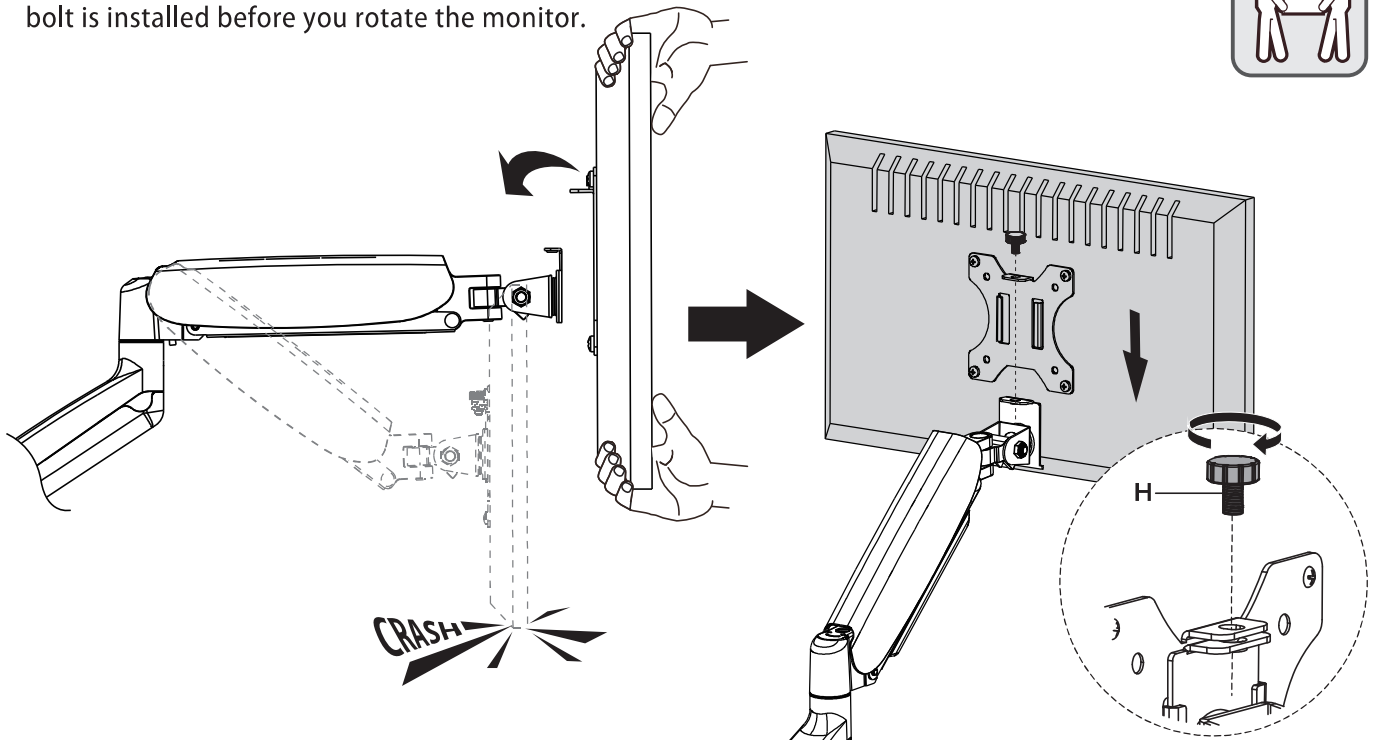
Attach the VESA plate (E) to back of monitor and secure it with screws (M-B) or (M-D) and washers (M-E) and spacers (M-F) using 6 mm Allen Key (M). Do not tighten the screws excessively or it might damage your monitor.



NOTE: Hand tighten screws to avoid over tightening.

STEP 4: Hang Monitor

Slide the monitor onto the head of swivel arm, install the security bolt (H). Make sure the security bolt is installed before you rotate the monitor.

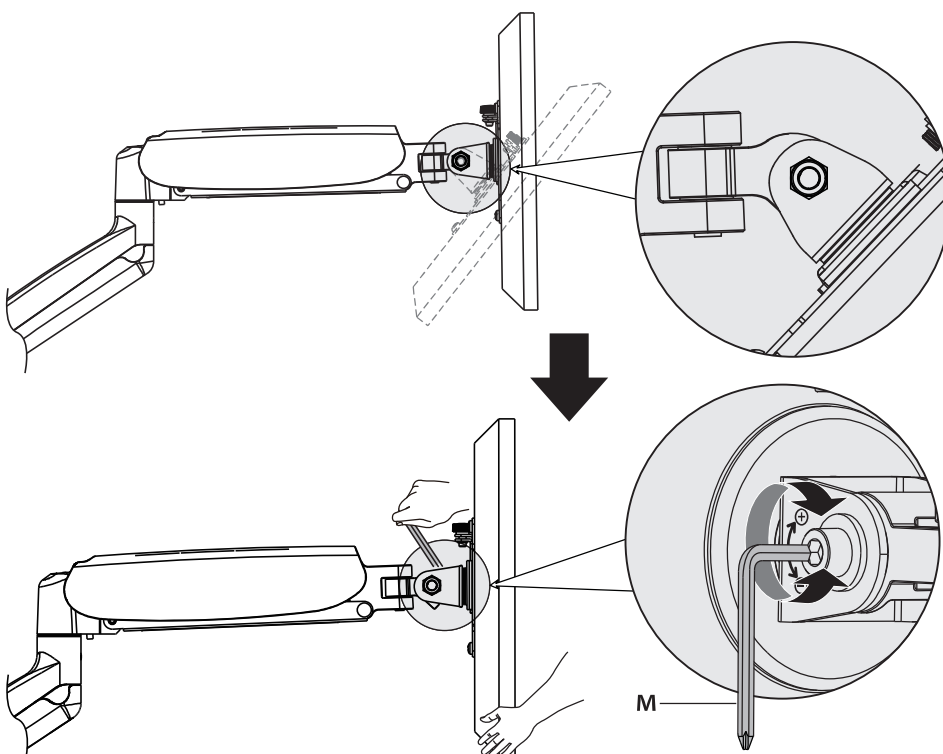


Important Notice:

The gas spring is pre-set to minimum tension. Once the monitor is hung on, hold the monitor with both hands and DO NOT let go suddenly or immediately. Instead, leave the monitor in a slow & gentle way while observing whether the arms will fall down wildly.



Guideline to adjust monitor tilting angle.



Problem:

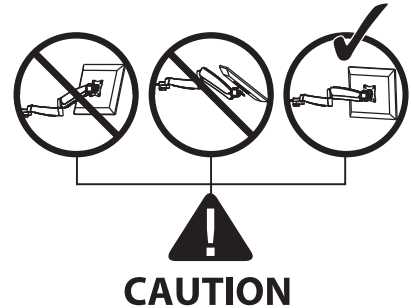
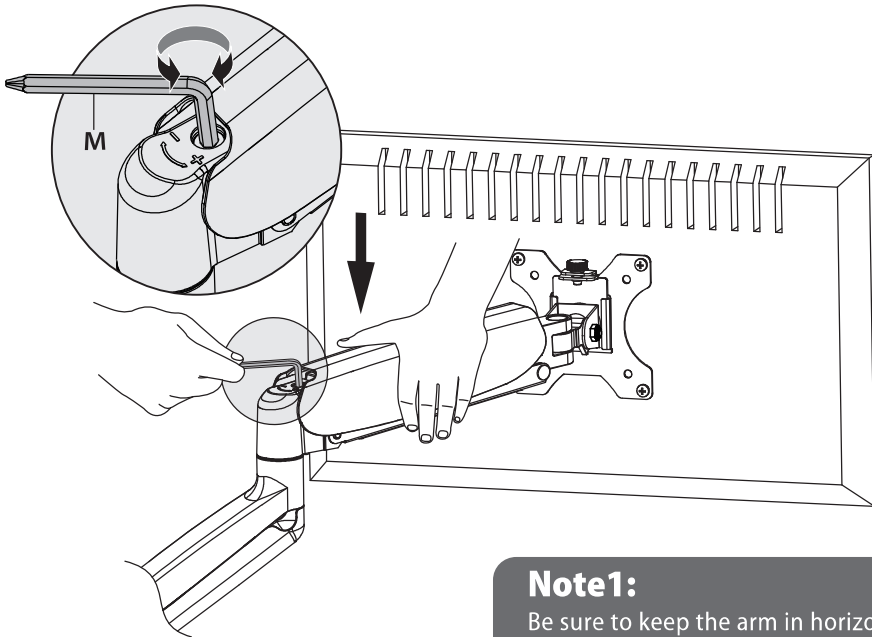
If monitor face down

Solution:

1. Loosen the tilting bolt.
2. Hold the bottom of monitor with one hand and adjust to determine your desired tilt angle.
3. Retighten the tilting bolt to fix the intended angle.

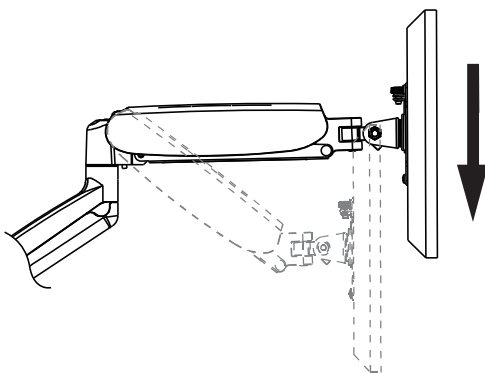
STEP 5: Adjust Tension

For intended functioning of the mount, you may need to adjust the tension of Upper Arm (B) in accordance with your monitor weight by 6 mm Allen Key (M).



Note1:

Be sure to keep the arm in horizontal position during adjustment. Or else it would be difficult to adjust the mount or damage the mount.

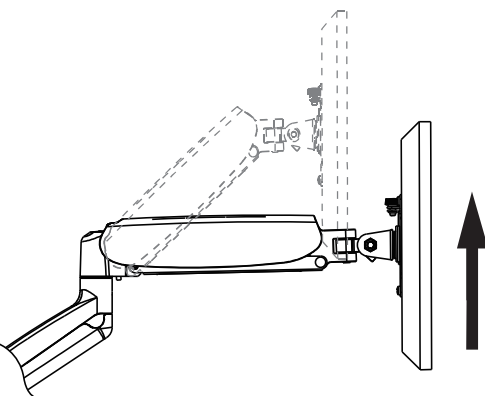


Situation 1: Arm falls down

Upper Arm with monitor falls down and fails to stay where intended.

Solution:

Turn the inside screw counterclockwise ("+" direction) to increase gas spring tension until the arm can stay as intended.



Situation 2: Arm rises up

Upper Arm with monitor rises up and fails to stay where intended.

Solution:

Turn the inside screw clockwise ("- direction) to decrease gas spring tension until the arm can stay as intended.

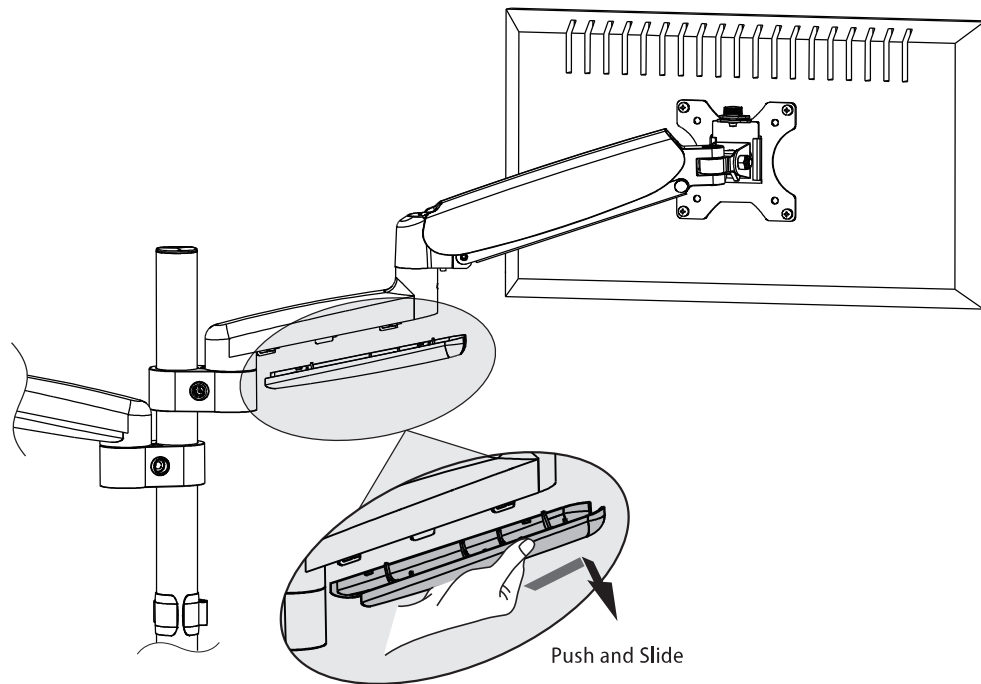
Note2:

As for how many circles the screw should be turned, refer to below diagram.

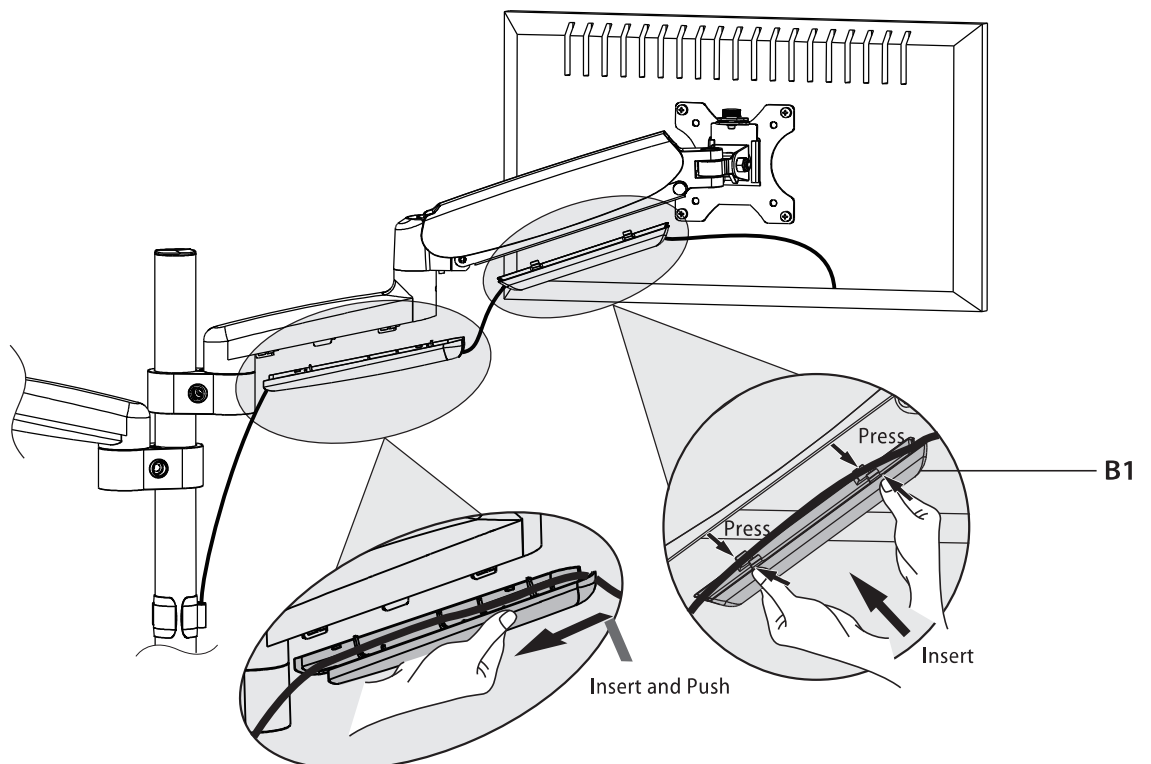
Monitor Weight	2kg	3kg	4kg	5kg	6kg	7kg	8kg
Circles (AT LEAST)	min	1	4	8	11	14	17

STEP 6: Cable Management

Remove bottom plastic covers from gas spring arm as shown in diagram.



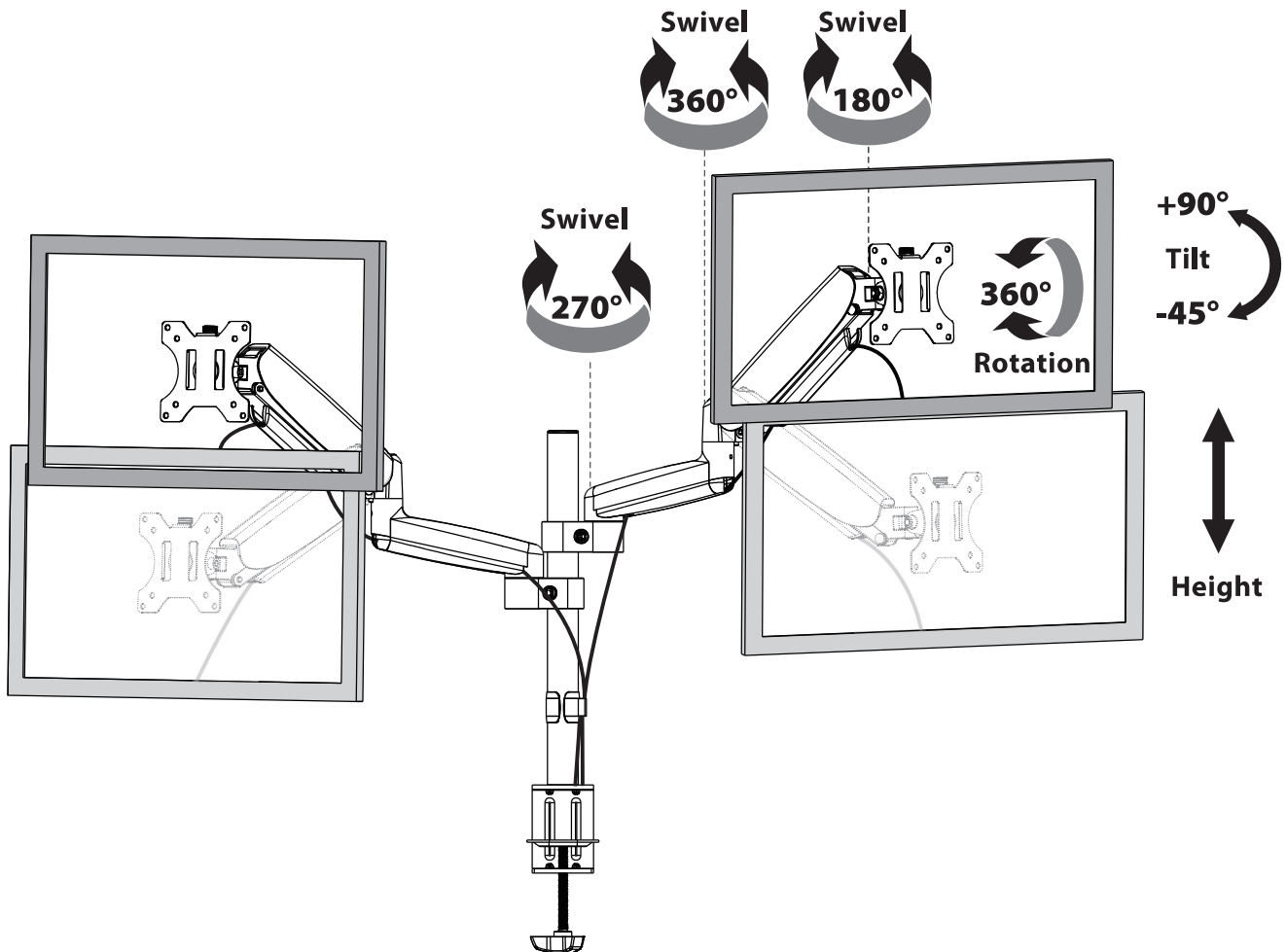
Run cables from monitor through bottom of gas spring arm. Reattach plastic covers as shown in diagram.



Adjust as Desired

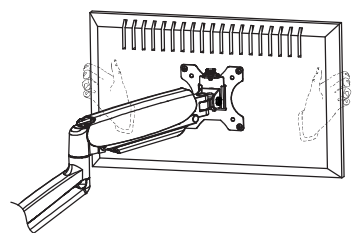
Adjust monitor position and rotation.

- Tilt
- Swivel
- Rotation
- Height

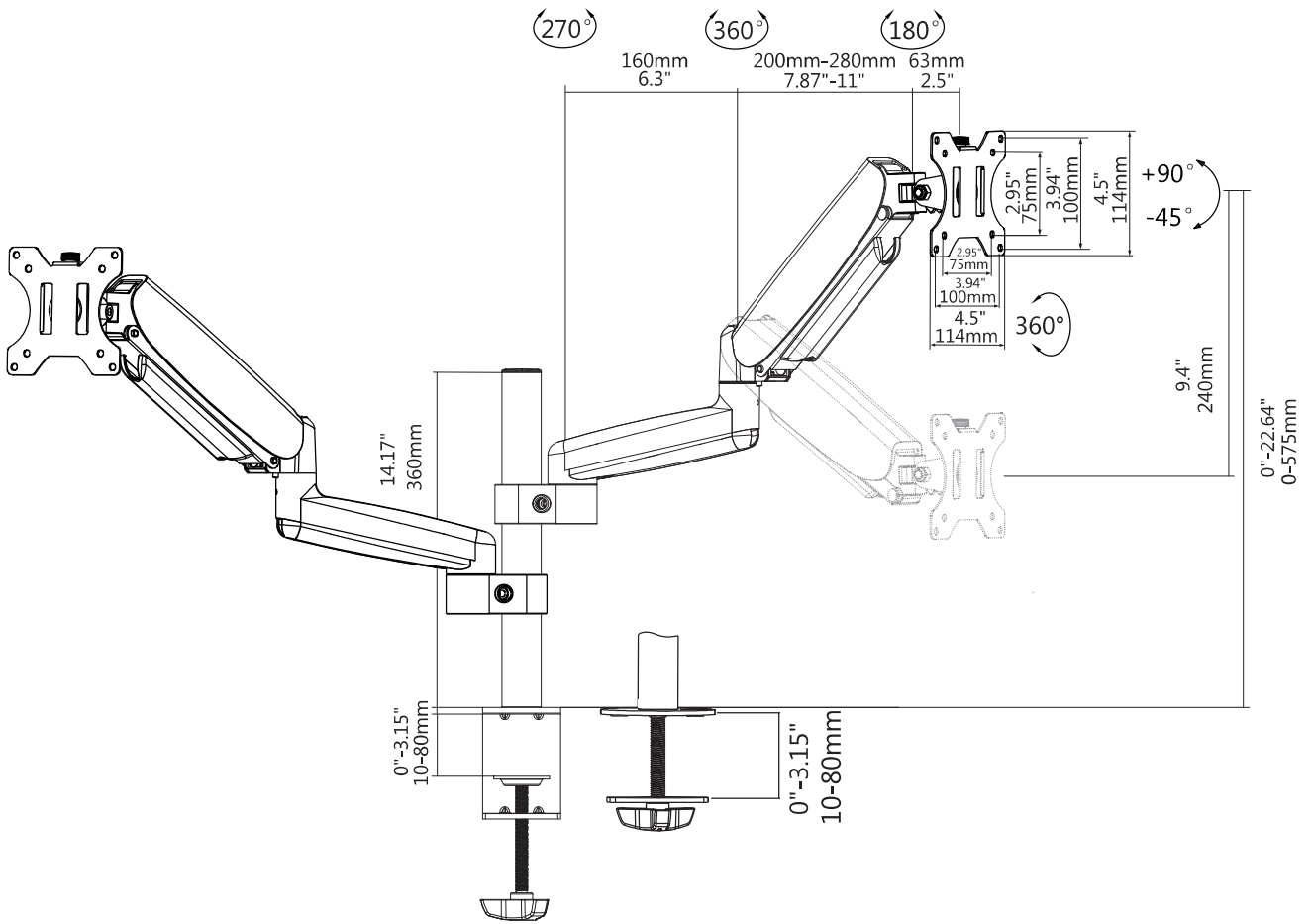


Note: To ensure stability, the tightness of the rotating axis has been preset, so it would be kind of difficult to rotate the VESA plate.

Suggestion: Please attach the monitor first, then hold the two sides of it with both hands, and rotate vigorously. If that doesn't work out, please do not hesitate to ask for our help.



Product Dimensions





CAUTION AND MAINTENANCE:

- Never allow children to climb, stand, hang, or play on any part of monitor or stand.
- This product is intended for indoor use only. Using this product outdoors could lead to product failure and personal injury.
- Check that the bracket is secure and safe to use at regular intervals (at least every three months).