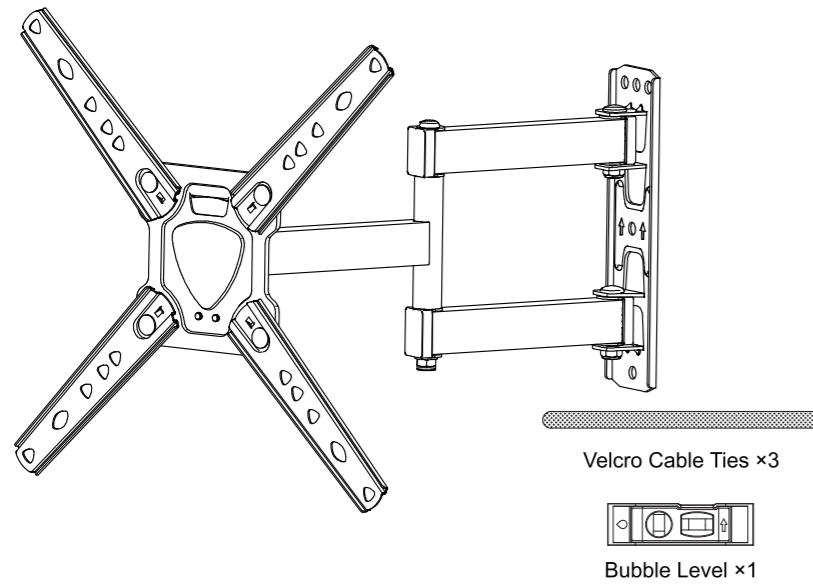


INSTALLATION INSTRUCTION



Max:
55 LBS
(25KG)



Max:300x300mm/12x12"
Min:75x75mm/3x3"

YZ1084A-US1

If you have any questions, please feel free to contact us via Amazon.

Safety Caution

Please read this instruction carefully before installation. If you do not understand these instructions or have doubts about the safety of the installation, assembly or use of this product, please contact us.

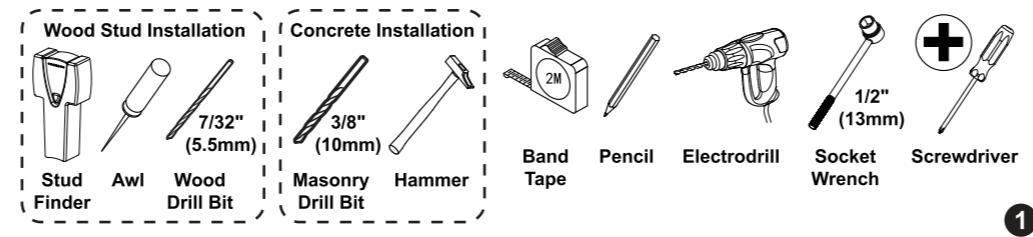
- This product is designed for use in wood stud or solid concrete wall.
- DO NOT install into drywall WITHOUT WOOD STUDS.**
- The wall must be capable of supporting five times the weight of the TV and mount combined.
- Incorrect installation may result in product damage or body injury.

WARNING: This product contains small items that could be a choking hazard if swallowed. Before starting assembly, verify all parts are included and undamaged. For parts shortage or damage, please contact us.

Must Check Before Getting Started

CAUTION: DO NOT install into drywall WITHOUT WOOD STUDS.

Installation Tools (Not Included)



Hardware Included

Wall Plate 01 x1	TV Plate 02 x1	Extenders 03 x4
Nuts 4A x4	Bolts 4B x4	Allen key 4C x1
Hardware (Wall/Product)		
Lag Bolts M8x65mm A x3	Washer B x3	Open-end wrench C x1

TV Screws / Washers

Philips Screws M4 x 12mm M4 x 30mm x4 M-A	Philips Screws M6 x 15mm M6 x 30mm x4 M-B	Philips Screws M8 x 25mm M8 x 45mm x4 M-C	Spacers L10mm x8 M-D	Washers Ø6mm M4-5-6 x4 M-E	Spacers L5mm x8 M-F
---	---	---	-----------------------------------	--	----------------------------------

Step 1-1 Select TV screw diameter

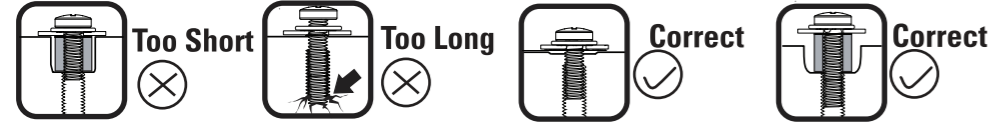
Thread screws by hand into the threaded holes on the back of your TV to select which screw diameter fits your TV.



TV screw specification can be found in your TV user manual

Step 1-2 Select TV screw length

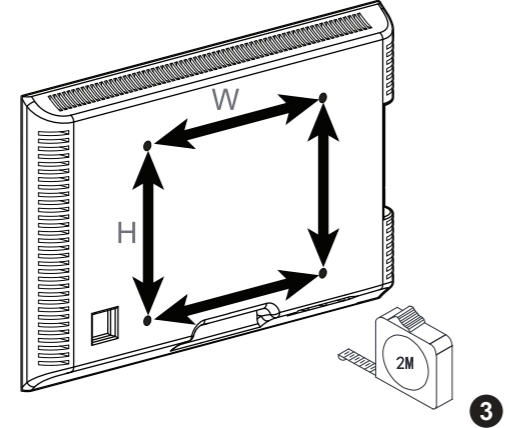
When attaching brackets to the flat screen, be careful not to over tighten screws and be sure that screws do not bottom out in the mounting holes.



Step 2 Measure your TV pattern

Measure and note the width and the height of the square or rectangle formed from the VESA holes pattern.

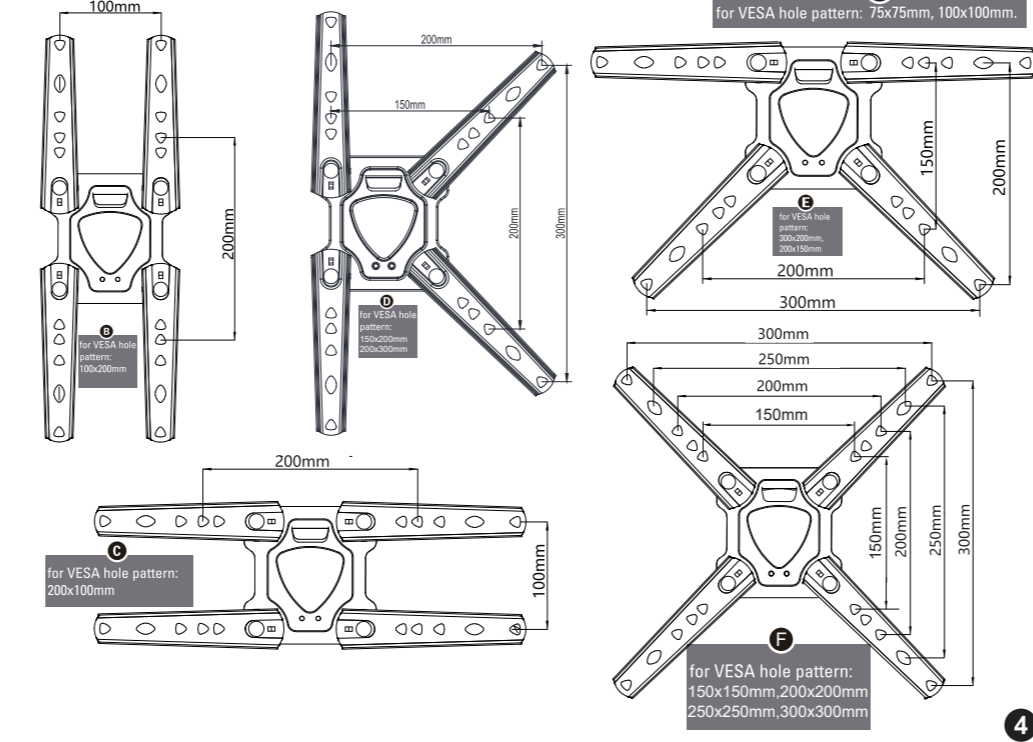
- 100mm ≈ 4in.
- 130mm ≈ 5 1/8in.
- 200mm ≈ 8in.
- 300mm ≈ 11 3/4in.
- 340mm ≈ 13 3/4in.
- 400mm ≈ 16in.



Step 3-1 Select TV plate configuration

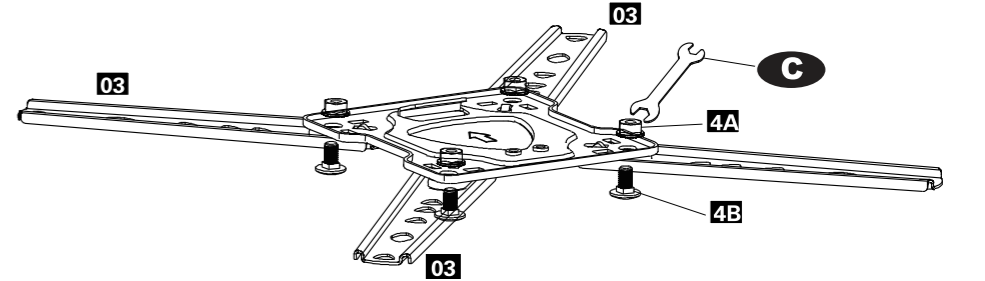
Select the configuration A, B, C, D, or E to use based on the measurement from STEP 2.

VESA Pattern (WxH)	Configuration	VESA Pattern (WxH)	Configuration
75mmx75mm	A	200mmx150mm	E
100mmx100mm	A	300mmx200mm	E
100mmx200mm	B	150mmx150mm	F
200mmx100mm	C	200mmx200mm	F
150mmx200mm	D	250mmx250mm	F
200mmx300mm	D	300mmx300mm	F



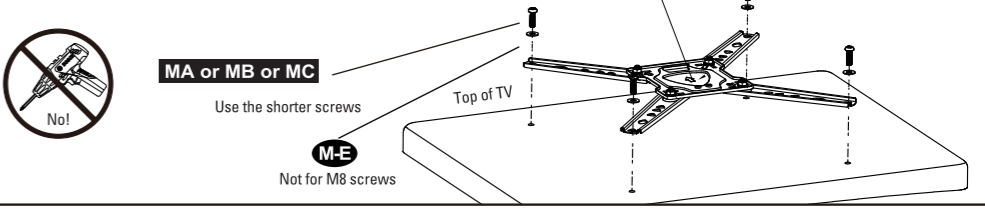
Step 3-2 Assemble TV plate and extenders

If your TV hole pattern is greater than 100x100mm, attach extenders 03 to TV plate 02 using Nut 4A and Bolt 4B.

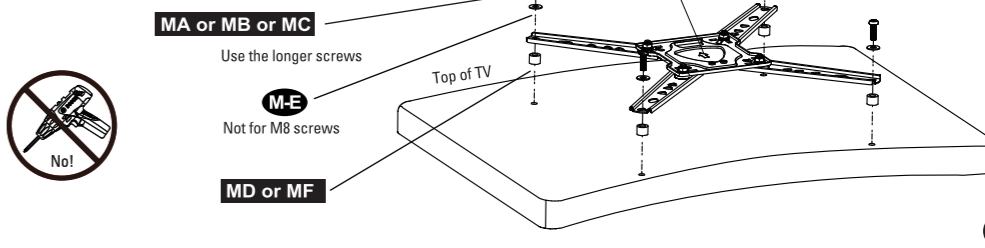


Step 3-3 Attach the brackets

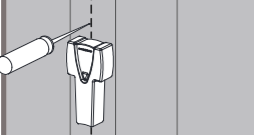
(a) For Flat Back

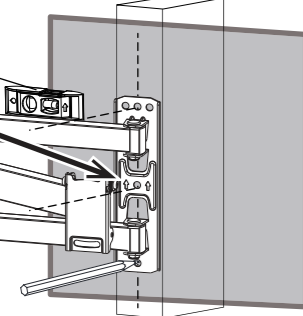


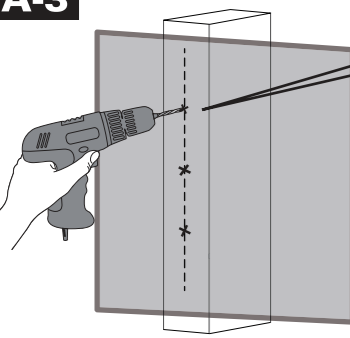
(b) For Round Back / Extra Space



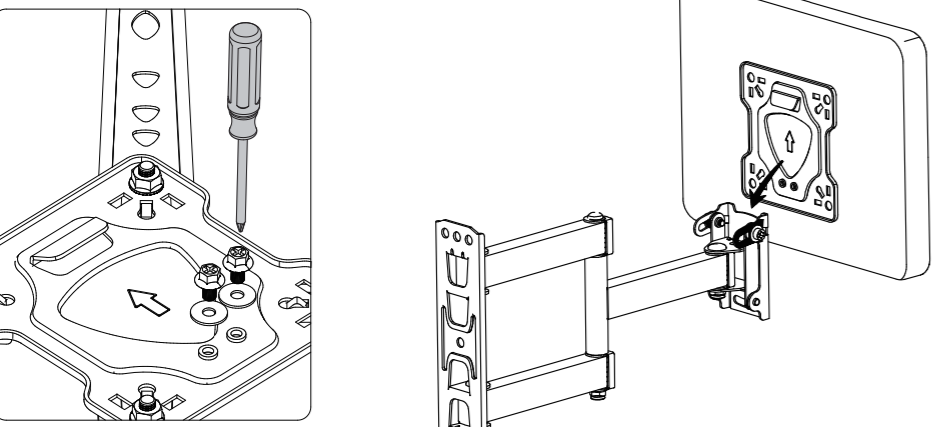
Step 4A Wall plate installation (wood stud)

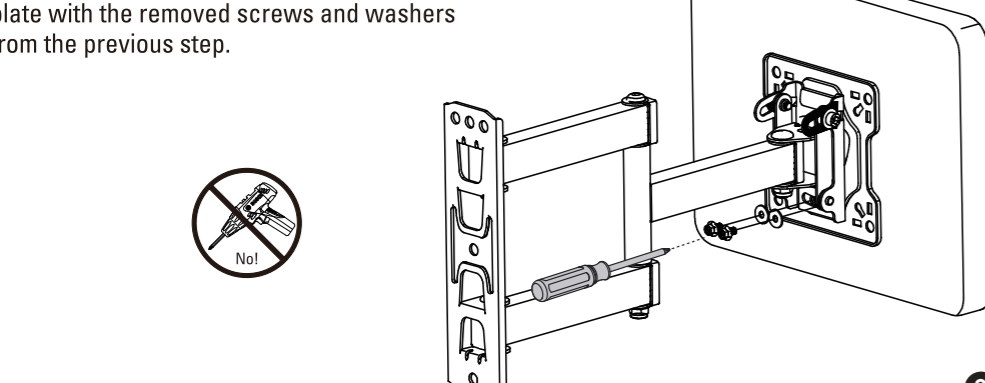
A-1  Locate your studs. Verify and mark the center of the stud by finding the stud edges using an awl, a thin nail, or an edge-to-edge stud finder.

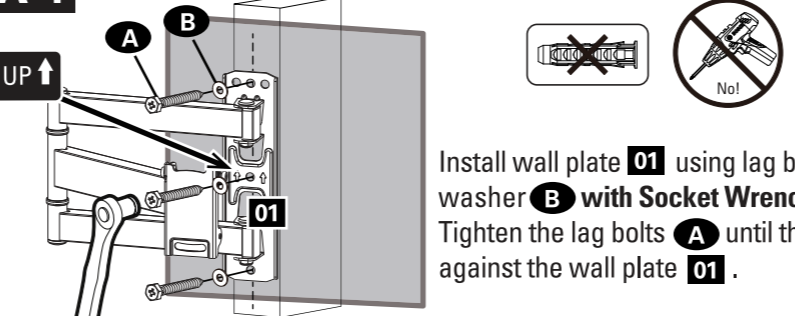
A-2  **Bubble Level**
Position the wall plate **01** at your desired height and line up the holes with your stud center line. Level the wall plate and mark the pilot hole locations.

A-3  Drill pilot holes using a 7/32 in. (5.5mm) diameter drill bit.
IMPORTANT: Pilot holes must be drilled to a depth of 2 3/4 in (70 mm). Be sure to drill into the center of the stud.

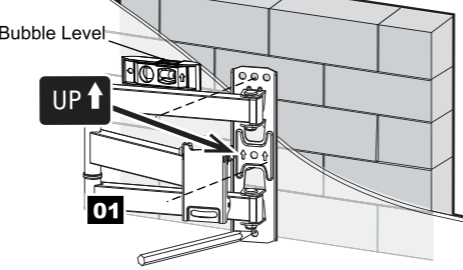
Step 5 Lift and hang TV with brackets onto wall bracket

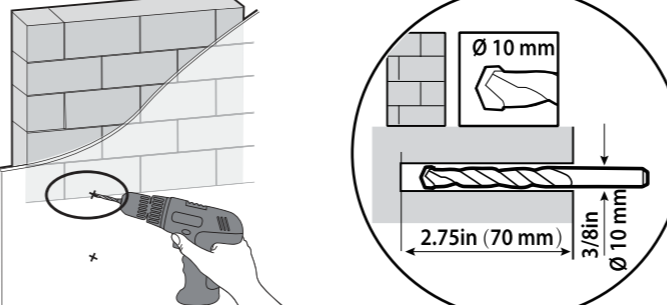
Lift and hang TV assembly onto arm and wall plate.
 Remove 2 preassembled screws and washers, save them for using to next step.

Secure the monitor plate to the arm and wall plate with the removed screws and washers from the previous step.
 **No!**

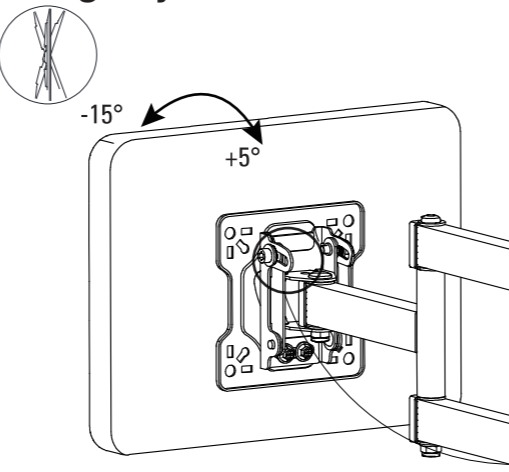
A-4  Install wall plate **01** using lag bolts **A** and washer **B** with **Socket Wrench, NO Electrodrill**. Tighten the lag bolts **A** until they are pulled firmly against the wall plate **01**.

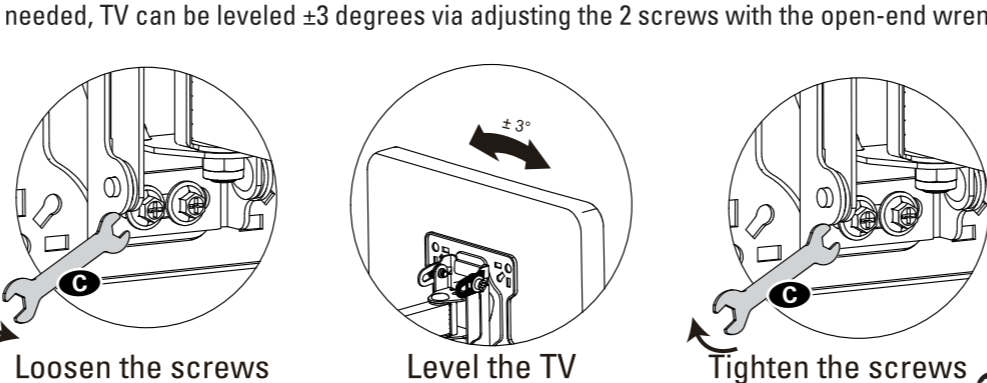
Step 4B Wall plate installation (concrete or brick)

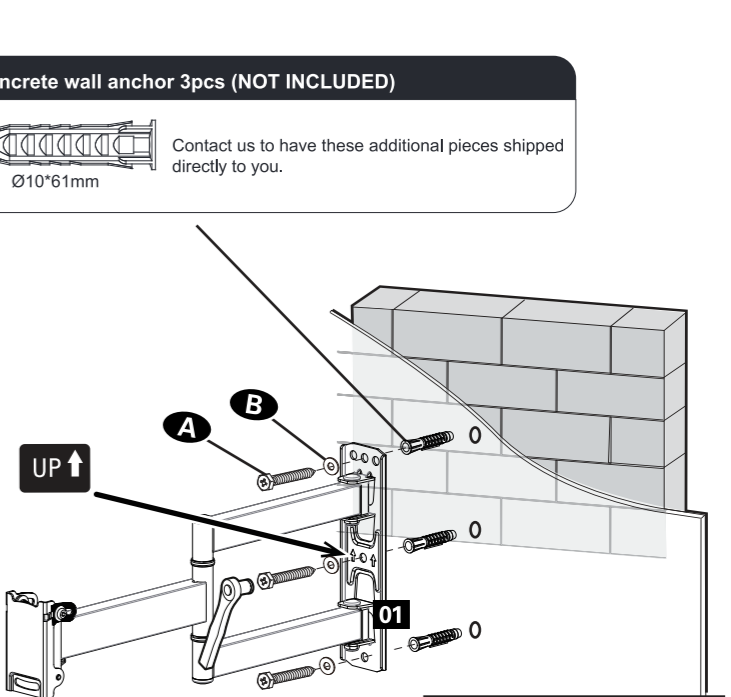
B-1  **Bubble Level**
Position the wall plate **01** at your desired height, level the wall plate and mark the pilot hole locations x3.

B-2  Drill pilot holes
IMPORTANT: Pilot holes must be drilled to a depth of 2 3/4 in (70 mm). Be sure to drill into the center of the stud.

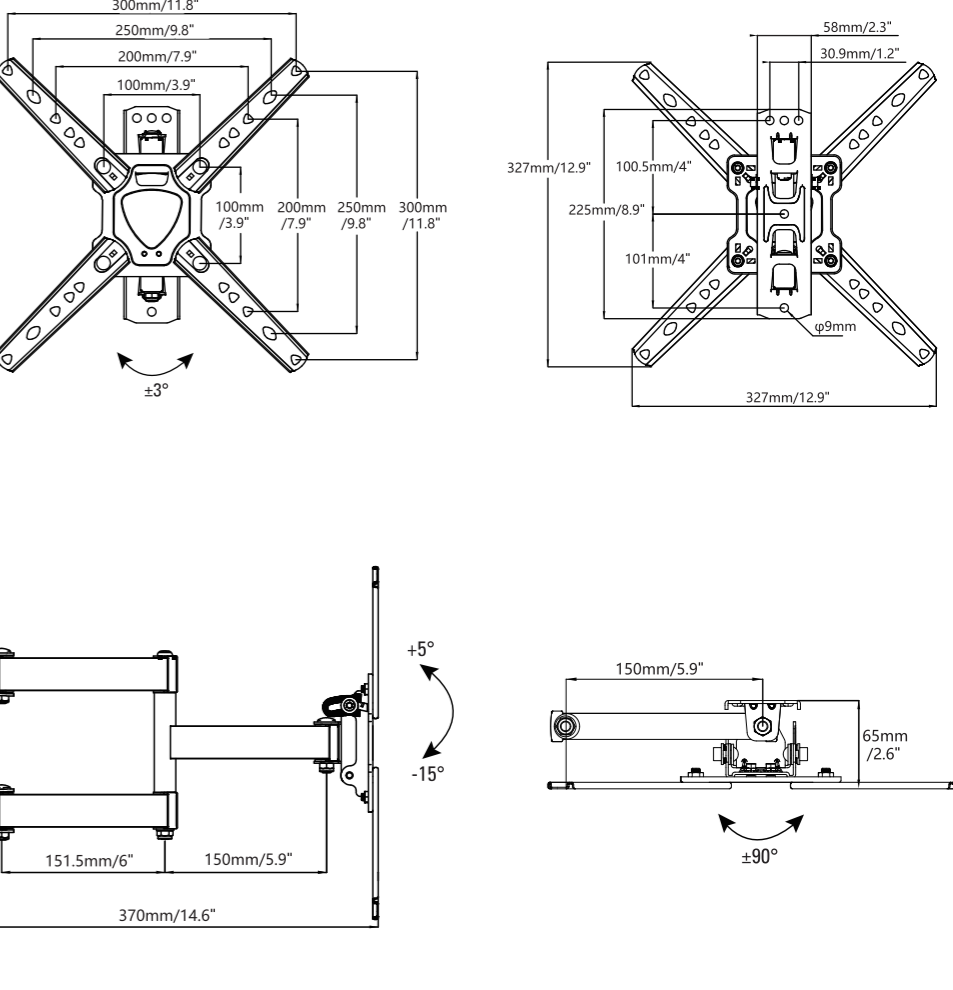
Adjustments

Tilting Adjustment
 **(Tilting)**
Tilting Angle Adjustment (+5° / -15°)
Loosen 2 tilting bolts, pull TV to your desired angle, then fasten tilting Bolts with Allen key.

Leveling adjustment (-3°/+3°)
If needed, TV can be leveled ±3 degrees via adjusting the 2 screws with the open-end wrench.
 **C**
Loosen the screws
Level the TV
Tighten the screws **10**

B-3  **Concrete wall anchor 3pcs (NOT INCLUDED)**
Ø10*61mm
Contact us to have these additional pieces shipped directly to you.
Install wall plate **01** using lag bolts **A** and washer **B** with **Socket Wrench, NO Electrodrill**. Tighten the lag bolts **A** until they are pulled firmly against the wall plate **01**.

Product dimensions:


300mm/11.8"
250mm/9.8"
200mm/7.9"
100mm/3.9"
100mm/3.9"
200mm/7.9"
250mm/9.8"
300mm/11.8"
58mm/2.3"
30.9mm/1.2"
327mm/12.9"
100.5mm/4"
225mm/8.9"
101mm/4"
φ9mm
327mm/12.9"
±3°
151.5mm/6"
150mm/5.9"
370mm/14.6"
+5°
-15°
150mm/5.9"
65mm/2.6"
±90°