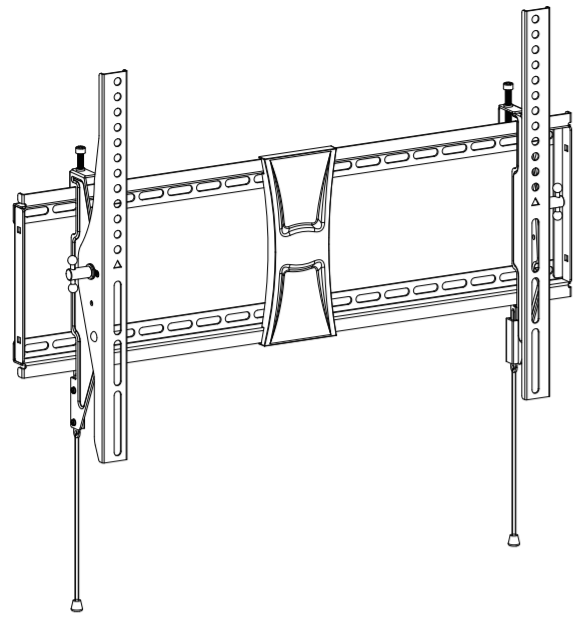


INSTALLATION INSTRUCTION

YZ2229_US1.2



If you have any questions, please feel free to contact Customer Service via Amazon before returning.

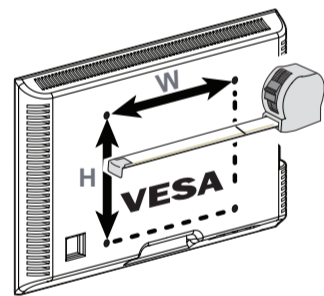
Safety Caution

Please read this instruction carefully before installation. If you do not understand these instructions or have doubts about the safety of the installation, assembly or use of this product, please contact us.

- This product is designed for use in wood stud or solid concrete wall. **- DO NOT install into drywall alone.**
- The wall must be capable of supporting five times the weight of the TV and mount combined.
- Incorrect installation may result in product damage / property damage or body injury. We shall bear no responsibility for any damage or injury resulted from incorrect installation, incorrect assembly or misuse.

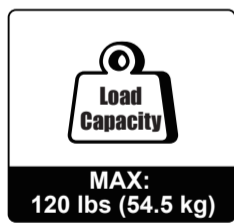
WARNING: This product contains small items that could be a choking hazard if swallowed. Before starting assembly, verify all parts are included and undamaged. If any parts are missing or damaged, do not return the damaged item to your dealer; please contact our customer service team. Never use damaged parts!

Must Check Before Getting Started



Minimum VESA Pattern (W × H):
150mm × 100mm / 6 in × 4 in

Maximum VESA Pattern (W × H):
600mm × 400mm / 24 in × 16 in

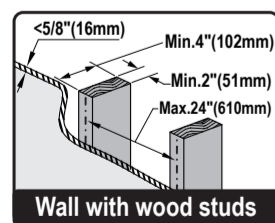


MAX:
120 lbs (54.5 kg)

WARNING

DO NOT exceed the maximum weight indicated. This mounting system is intended for use only within the maximum weights indicated. Use with products heavier than the maximum weights indicated may result in failure of the mount and its accessories, causing possible damage or injury.

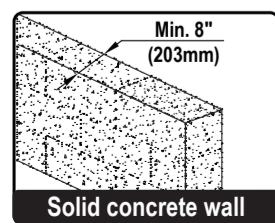
Verify Your Wall Construction



Wall with wood studs



CAUTION: Avoid potential personal injuries and property damage! Drywall covering the wall must not exceed 5/8 in. (16 mm). Minimum wood stud size: nominal 2 x 4 in. (51 x 102 mm) actual 1 1/2 x 3 1/2 in. (38 x 89 mm).



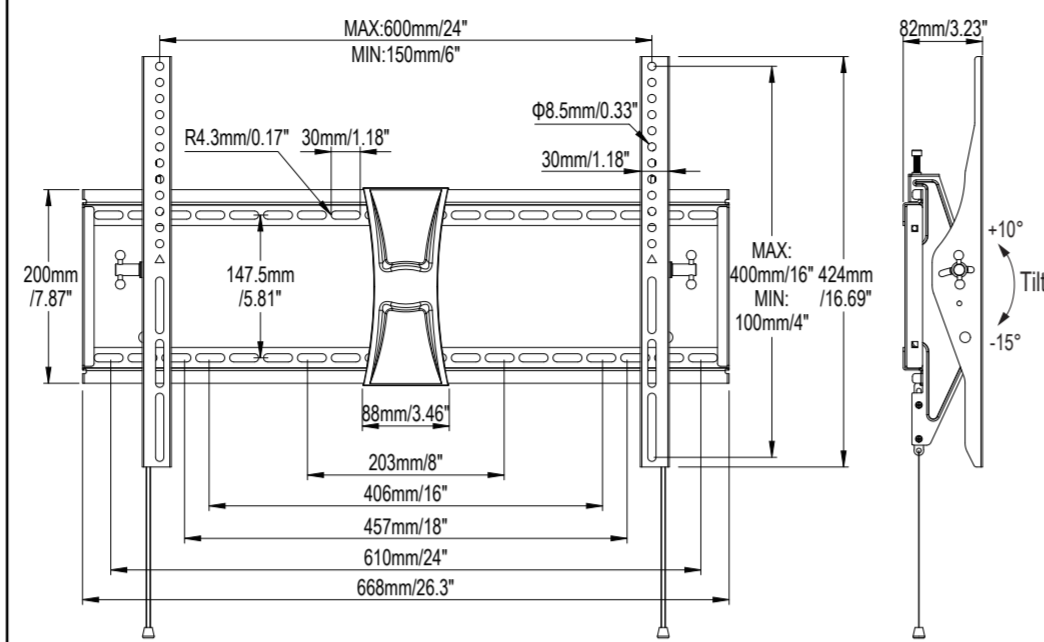
Solid concrete wall



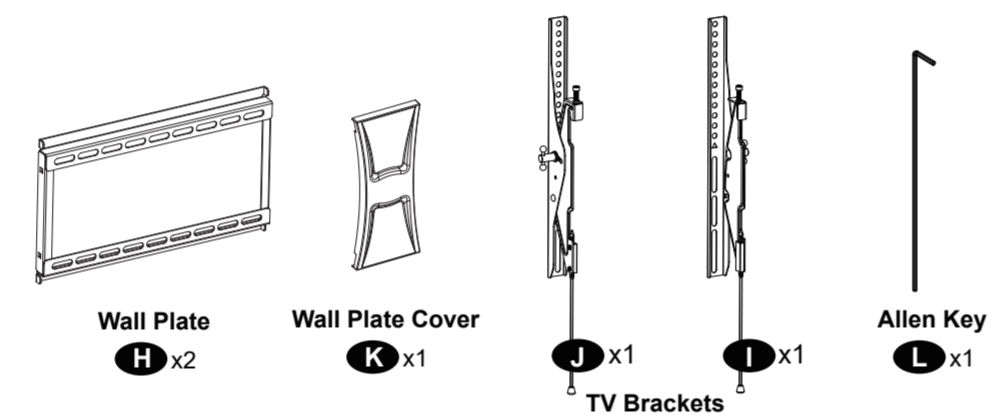
CAUTION: Avoid potential personal injuries and property damage! Mount the wall plate assembly directly onto the concrete surface (no surface covering).

CAUTION: DO NOT install into drywall alone.

Product Dimensions



Supplied Parts and Hardware



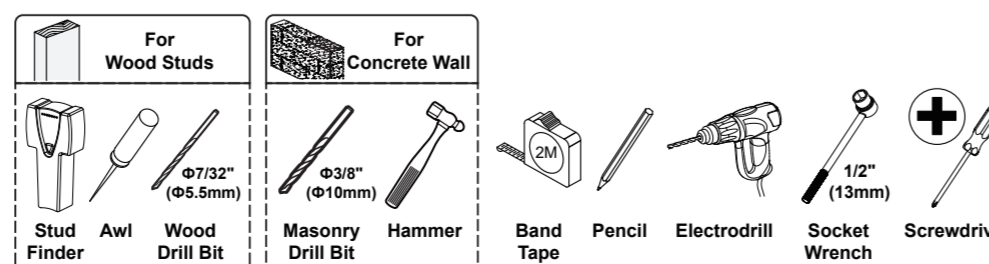
Wall		Product			
Lag Bolt ST8x65mm A x4	Washer Φ8mm B x4	Bolt M6x12mm D x2	Washer Φ6mm E x2	Nut M6 F x2	wrench S10mm G x1

TV					
Philips Screws M4 x 12mm M4 x 30mm x4 x4	Philips Screws M6 x 15mm M6 x 30mm x4 x4	Philips Screws M8 x 25mm M8 x 45mm x4 x4	Spacers H10mm x8 MD	Washers Φ6mm M4-5-6 x4 ME	Spacers H5mm x8 MF



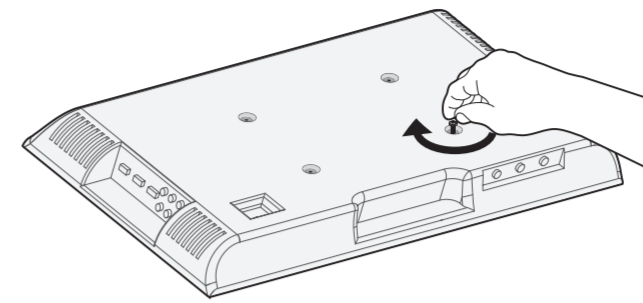
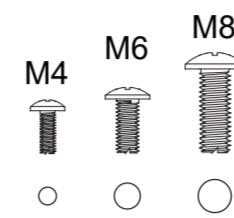
NOTE: Not all parts and hardware included will be used.

Extra Tools You Need (Not Supplied)

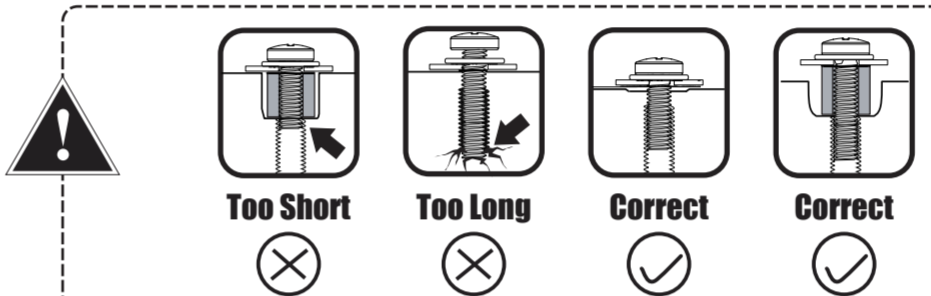
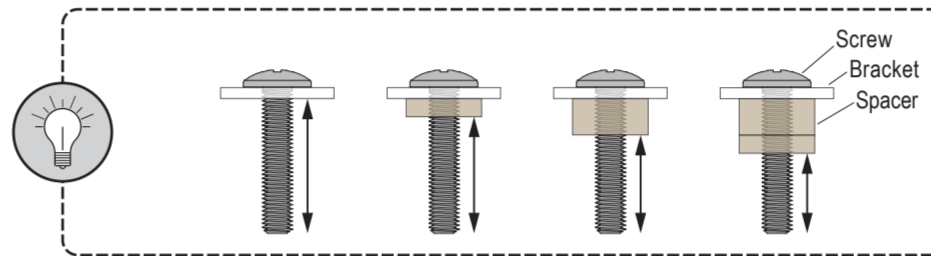


1 Attach Brackets to TV

1-1 Select Correct TV Screw Diameter



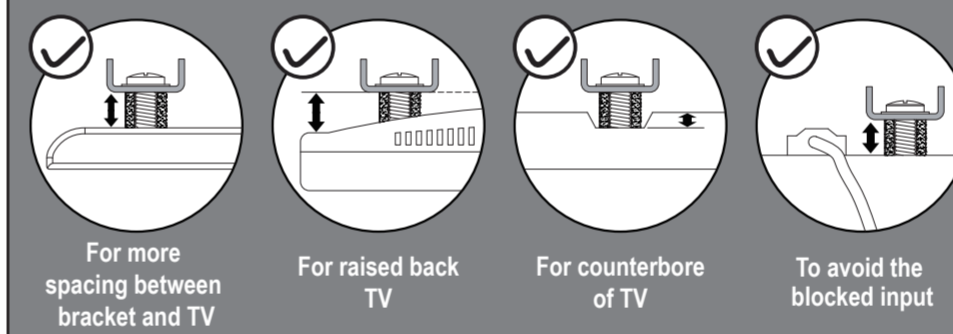
1-2 Select Correct TV Screw Length



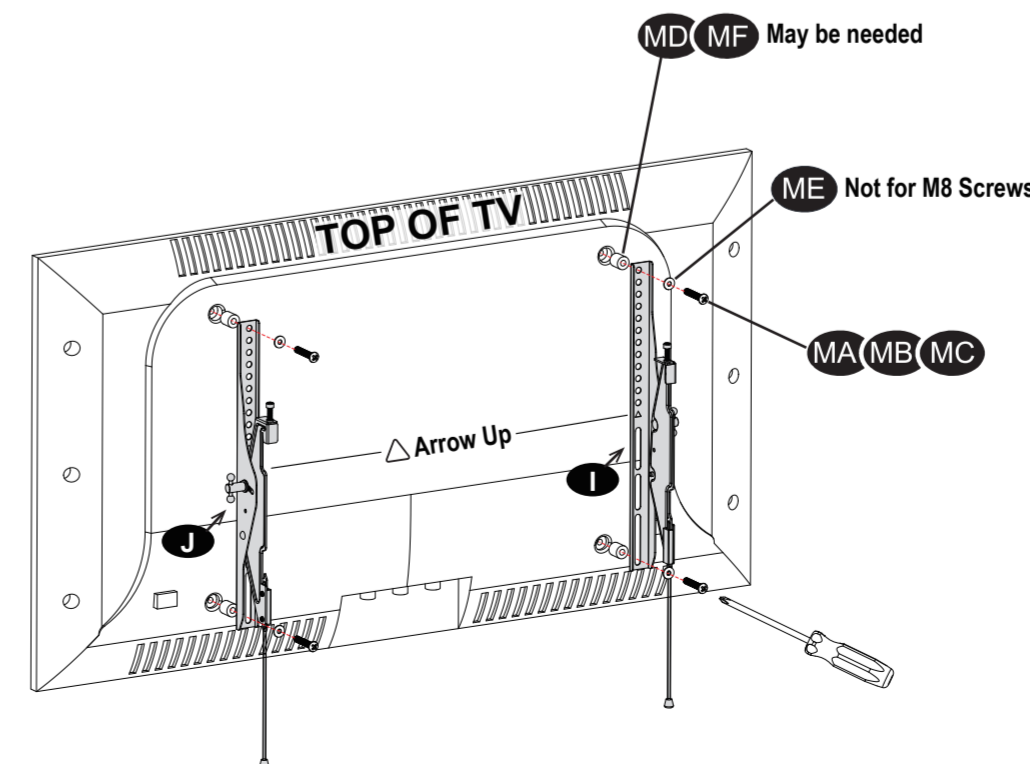
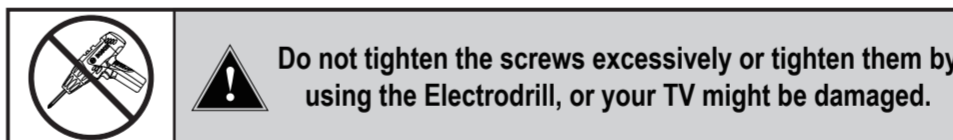
CAUTION: Too short will not hold your TV. Too long will damage your TV.

Which Situation Needs Spacers?

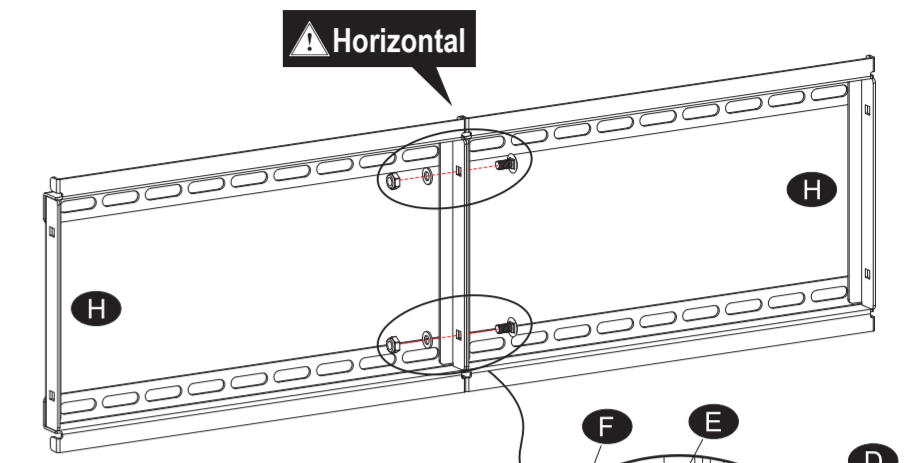
If the screw is too long or the surface is uneven, please choose the appropriate screws and spacers for your TV.



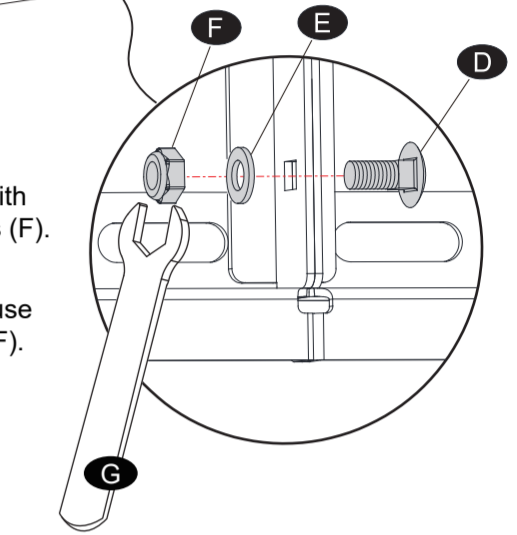
1-3



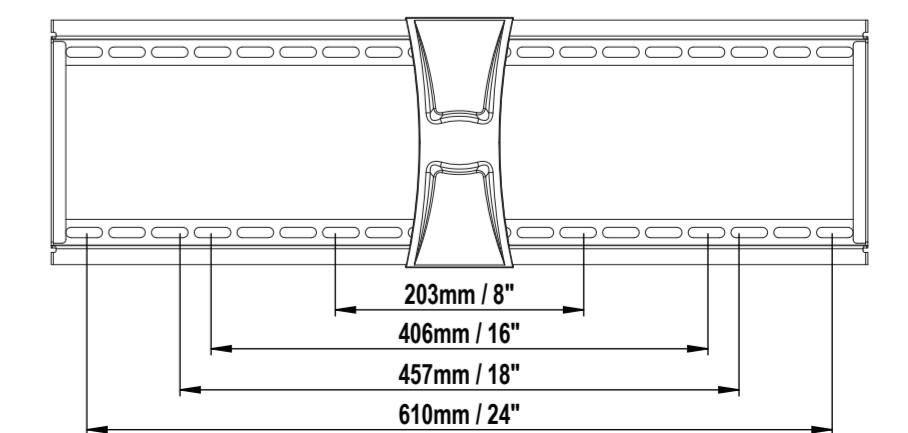
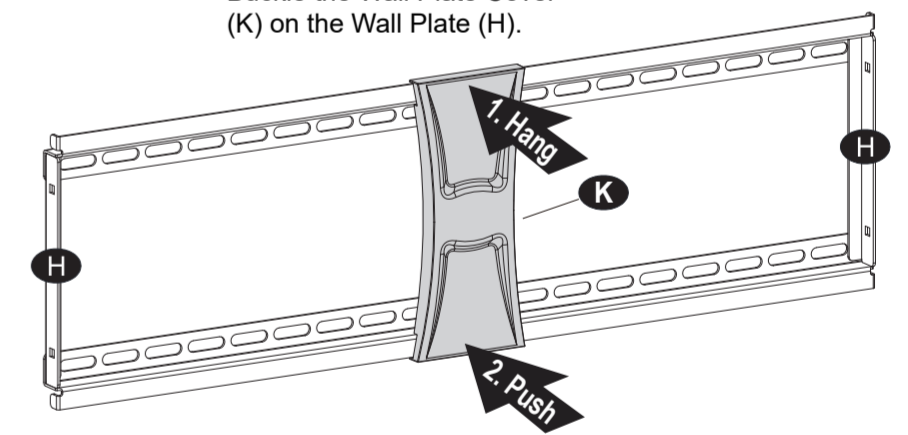
2 Assemble Wall Plate



2-1 Assemble two Wall Plates (H) with Bolts (D), Washers (E) and Nuts (F). Keep the upside of the two Wall Plates (H) horizontal, and then use Wrench (G) to fasten the Nuts (F).

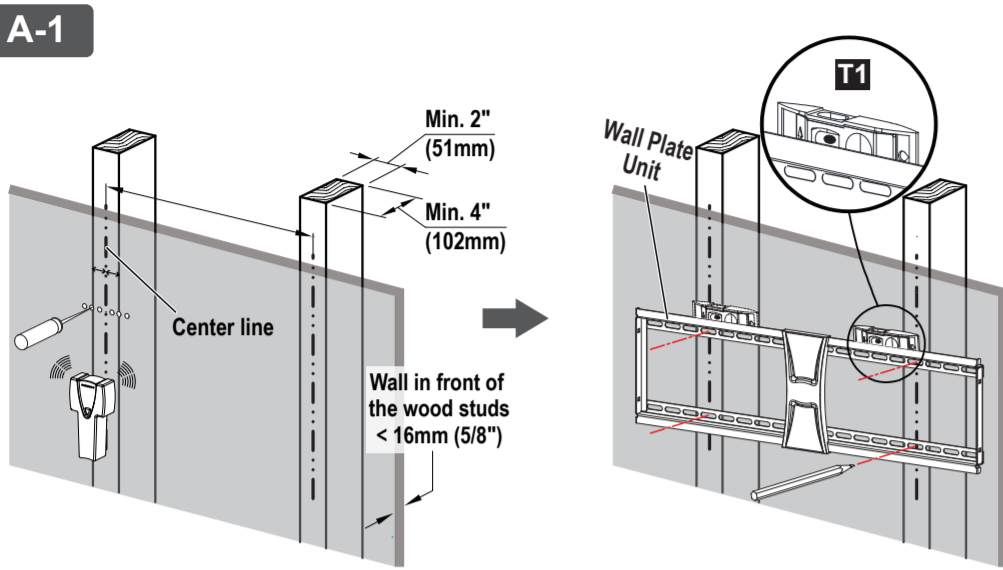


2-2 Buckle the Wall Plate Cover (K) on the Wall Plate (H).



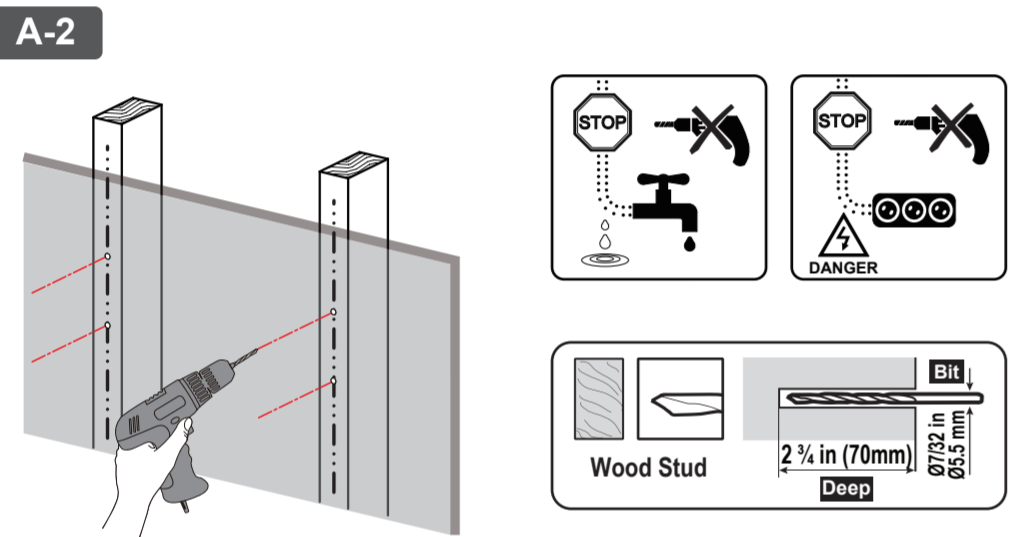
3-A Attach Wall Plate to Wall

OPTION A: Wood Stud Installation

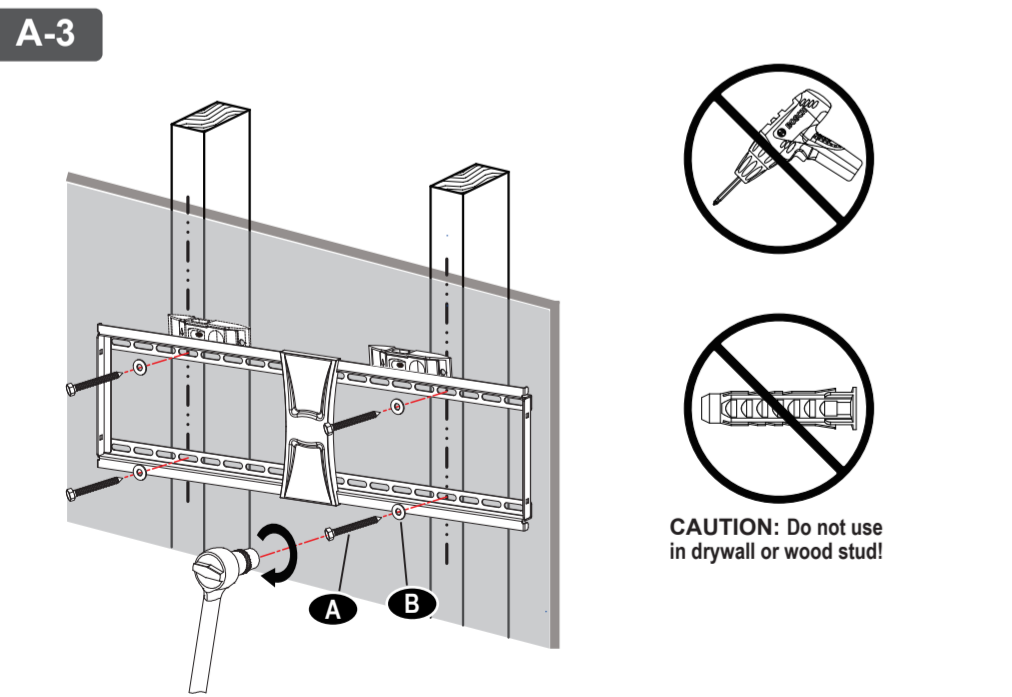
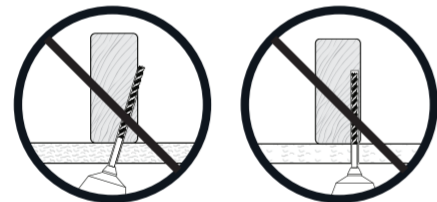


A-1
Locate your studs. Verify and mark the center of the stud by finding the stud edges using awl and stud finder.

Line up the holes with your stud center line. Level the wall plate and mark the pilot hole locations.



A-2
Drill pilot holes using a $\Phi 7/32$ in ($\Phi 5.5$ mm) diameter drill bit.
IMPORTANT: Be sure to drill into the center of the stud.

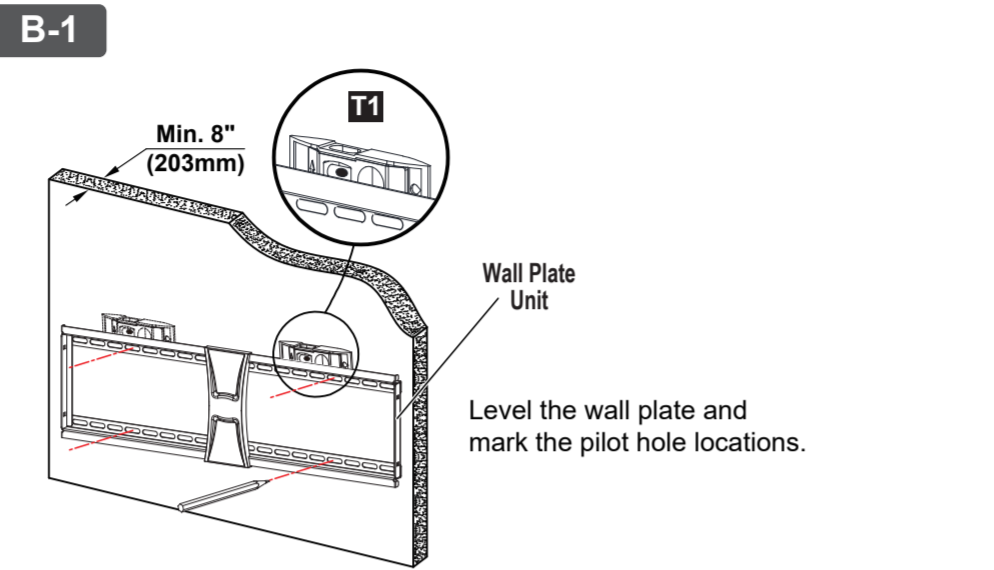


A-3
Install wall plate using lag bolts **A** and Washers **B** with Socket Wrench, **NO Electrodrill**.

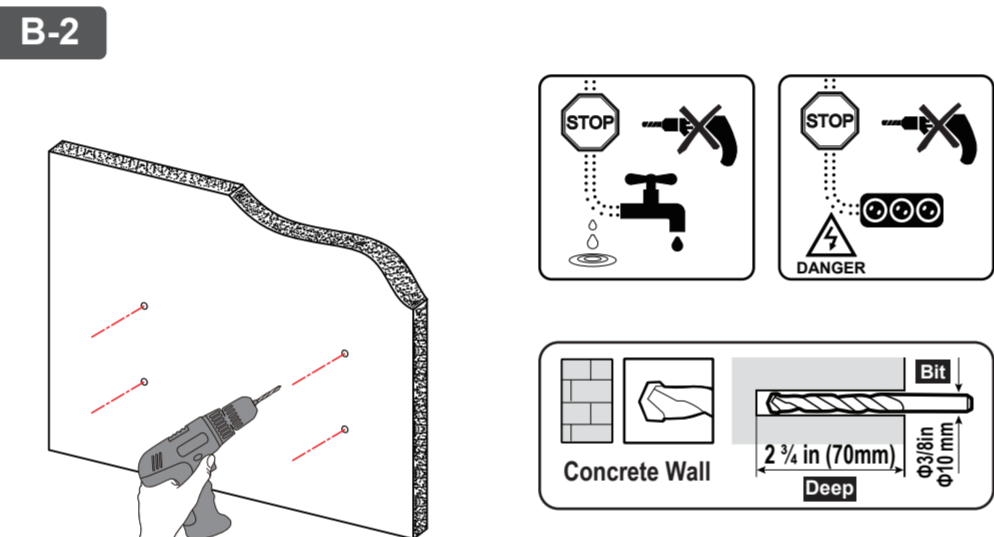
CAUTION: To avoid potential personal injury or property damage: All 4 lag bolts **A** **MUST BE** firmly tightened to prevent unwanted movement of the wall plate assembly. Ensure the wall plate assembly is securely fastened to the wall before continuing on to the next step.

3-B Attach Wall Plate to Wall

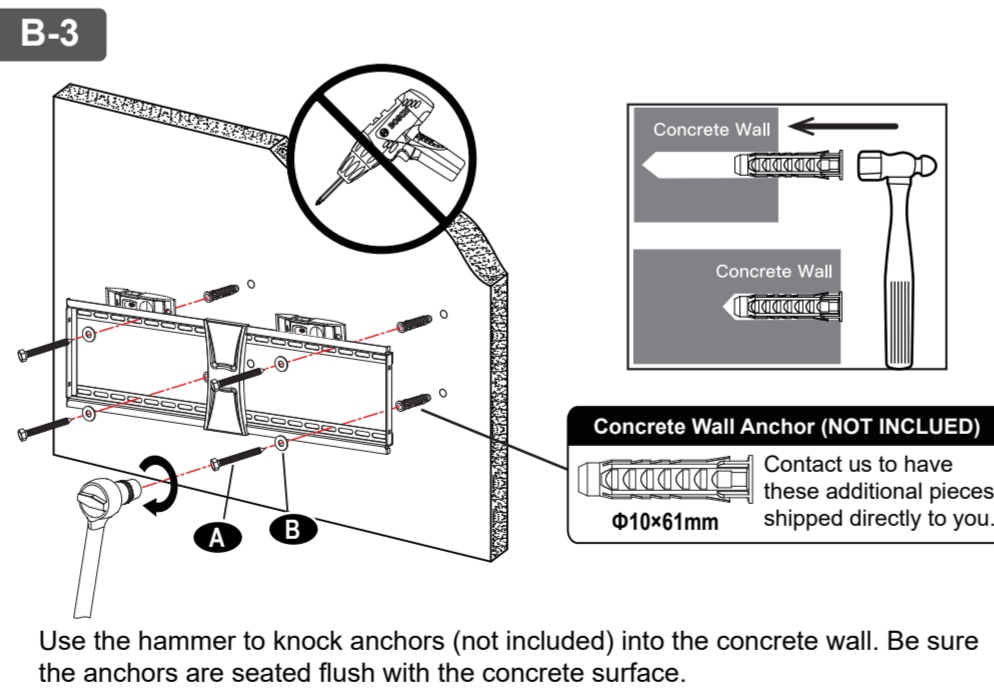
OPTION B: Solid Concrete Wall Installation



B-1
Level the wall plate and mark the pilot hole locations.



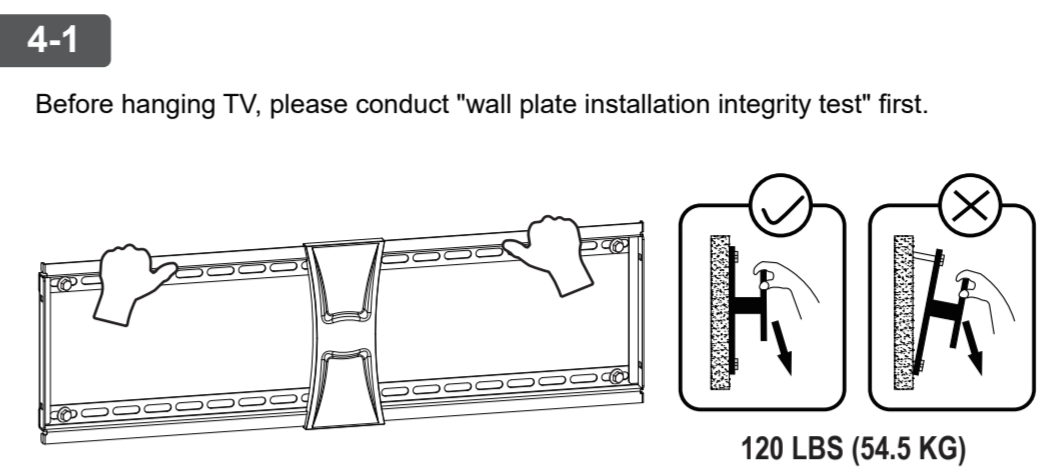
B-2
Drill pilot holes using a $\Phi 3/8$ in ($\Phi 10$ mm) diameter drill bit.
IMPORTANT: Never drill into the mortar between blocks.



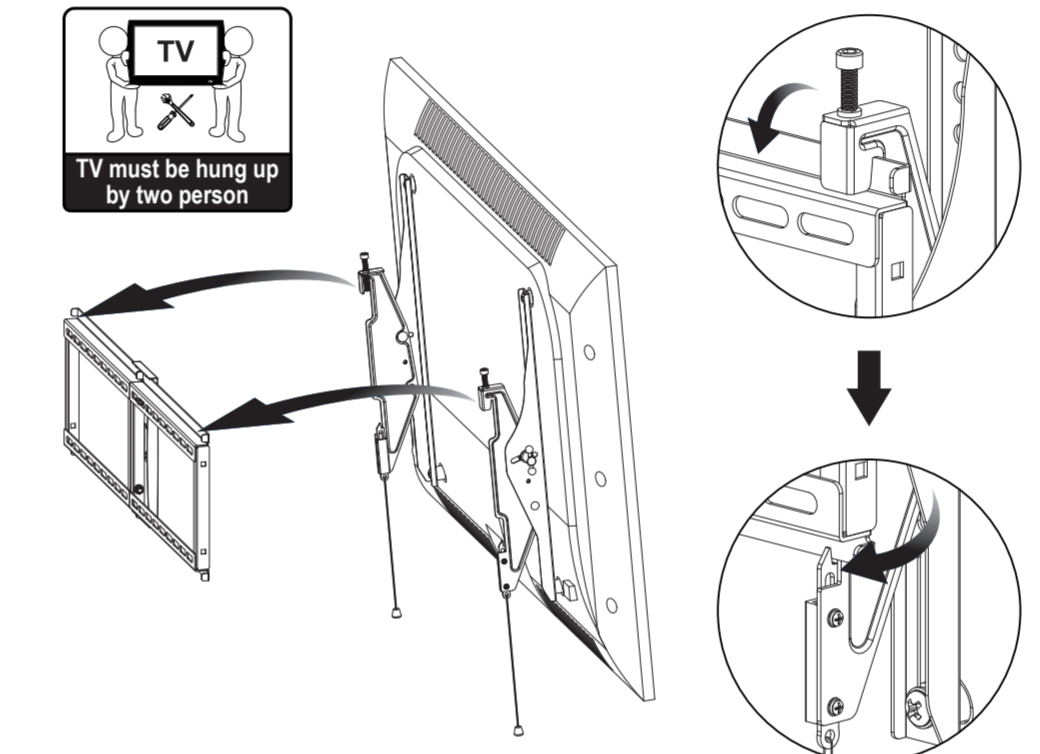
B-3
Use the hammer to knock anchors (not included) into the concrete wall. Be sure the anchors are seated flush with the concrete surface.

Install wall plate using lag bolts **A** and Washers **B**, and anchors (not included) with Socket Wrench, **NO Electrodrill**.
CAUTION: To avoid potential personal injury or property damage: All 4 lag bolts **A** **MUST BE** firmly tightened to prevent unwanted movement of the wall plate assembly. Ensure the wall plate assembly is securely fastened to the wall before continuing on to the next step.

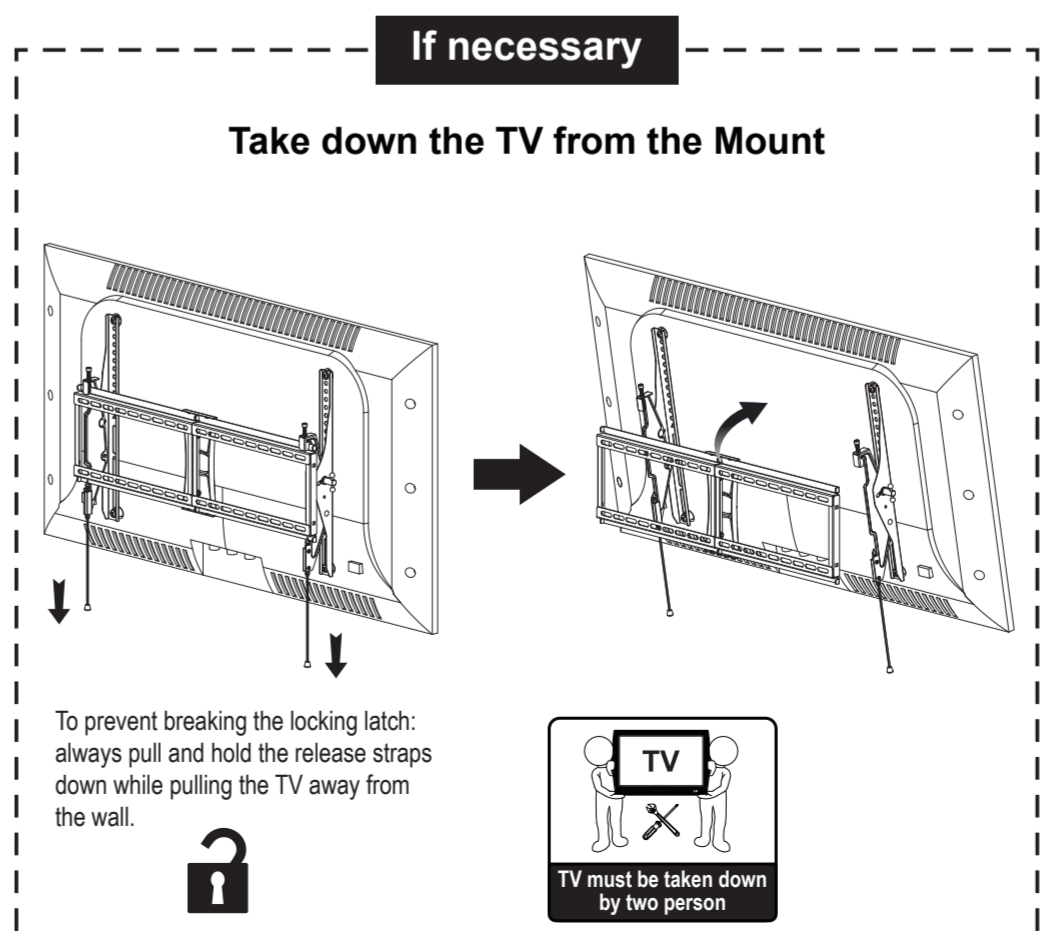
4 Hang and Secure TV to Wall Plate



4-1
Before hanging TV, please conduct "wall plate installation integrity test" first.
4-2
Hang and secure TV assembly onto the wall plate.



CAUTION: Avoid potential personal injury or property damage! Always make sure your TV brackets are in the locked position so the TV is securely attached to the wall plate assembly.



5 Adjustments

