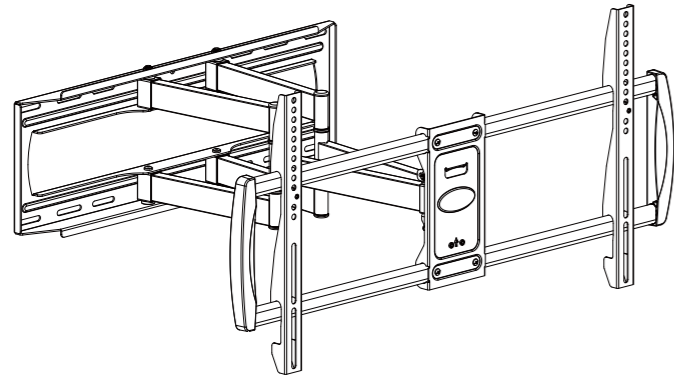


INSTALLATION INSTRUCTION



Max: 800x400mm/31.5x16"
Min: 200x100mm/8x4"

680-84-MU

If you have any questions, please feel free to contact us via Amazon.

Warm Tips
You could also refer to the Video Guide about installation on our product page.

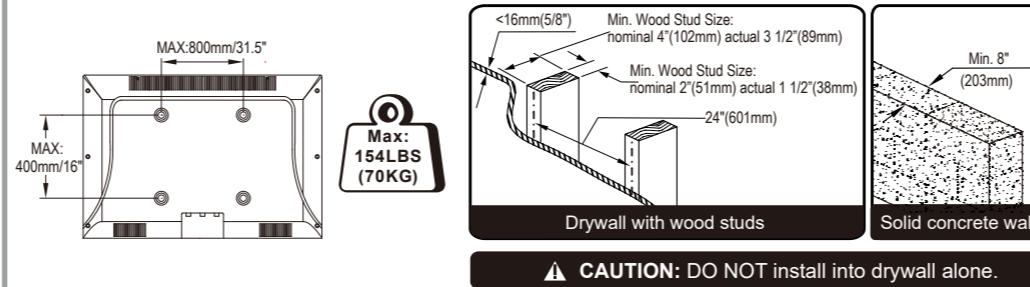
Safety Caution

Please read this instruction carefully before installation. If you do not understand these instructions or have doubts about the safety of the installation, assembly or use of this product, please contact us.

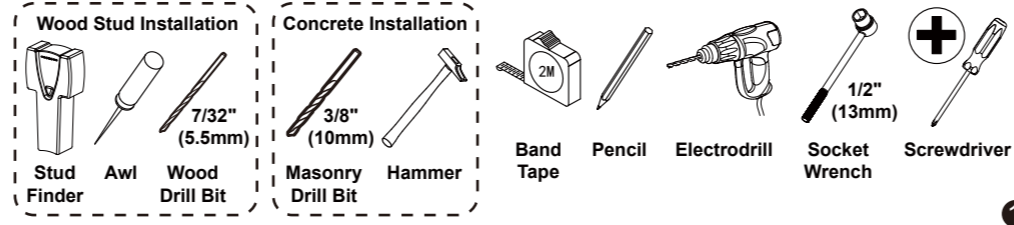
- This product is designed for use in wood stud or solid concrete wall.
- **DO NOT install into drywall alone.**
- The wall must be capable of supporting five times the weight of the TV and mount combined.
- Incorrect installation may result in product damage or body injury.

⚠ WARNING: This product contains small items that could be a choking hazard if swallowed. Before starting assembly, verify all parts are included and undamaged. For parts shortage or damage, please contact us.

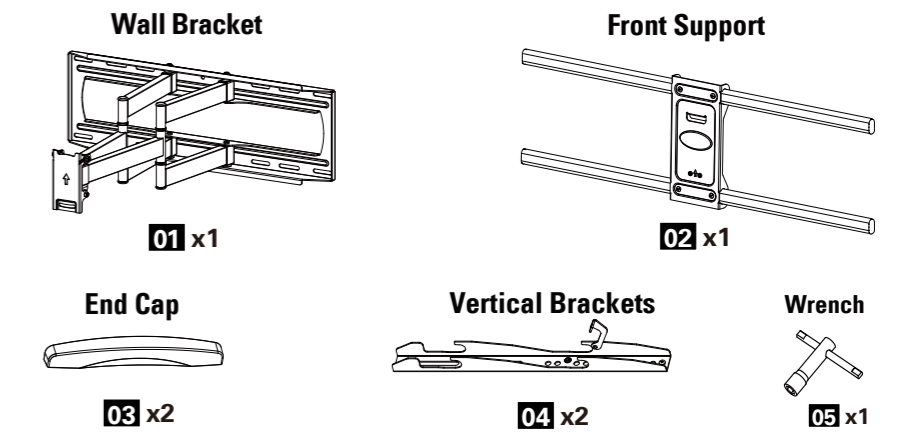
Must Check Before Getting Started



Installation Tools (Not Included)



Hardware Included

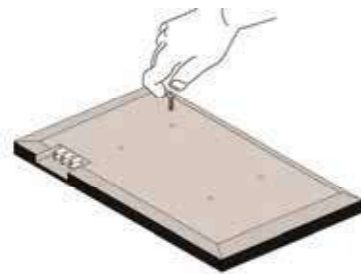


Hardware (Wall/Product)		
Lag Bolts 5/16 x 3 1/2 in x4 A	Washer Ø8mm x4 B	Open-end wrench x1 C

TV Screws / Washers					
Philips Screws M4 x 12mm M4 x 30mm x4 M-A	Philips Screws M6 x 15mm M6 x 30mm x4 M-B	Philips Screws M8 x 25mm M8 x 45mm x4 M-C	Spacers L10mm x8 M-D	Washers Ø6mm M4-5-6 x4 M-E	Spacers L5mm x8 M-F

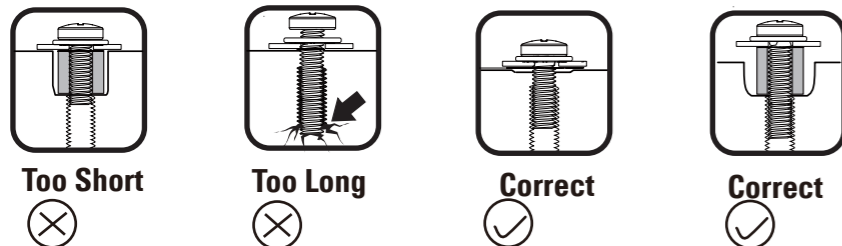
Step 1-1 Select TV screw diameter

Thread screws by hand into the threaded holes on the back of your TV to select which screw diameter fits your TV.



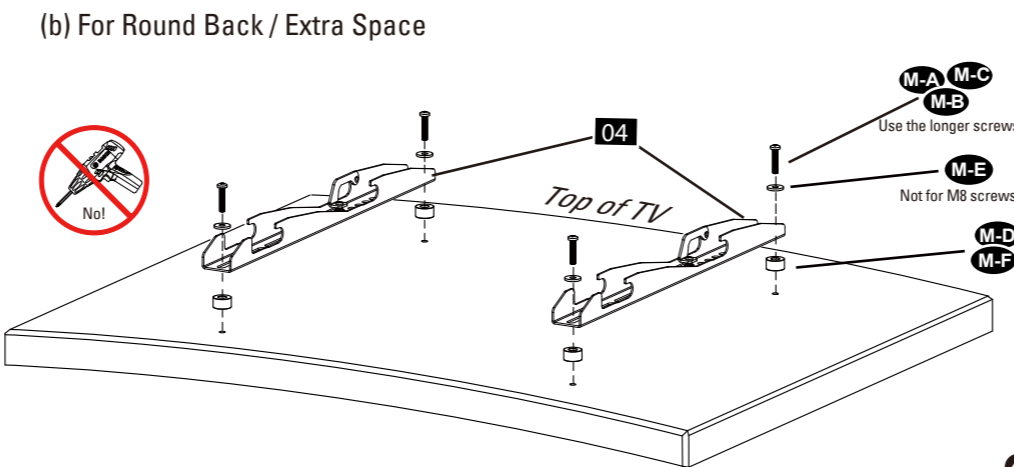
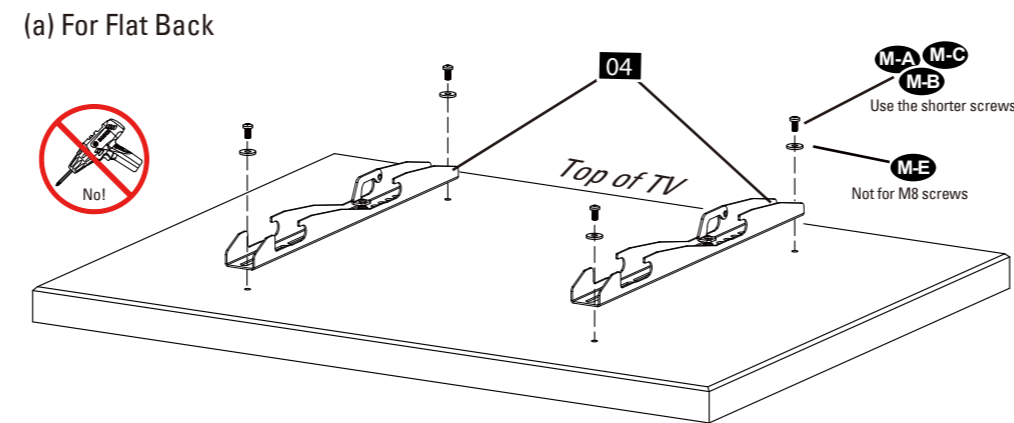
Step 1-2 Select TV screw length

⚠ When attaching brackets to the flat screen, be careful not to over tighten screws and be sure that screws do not bottom out in the mounting holes.

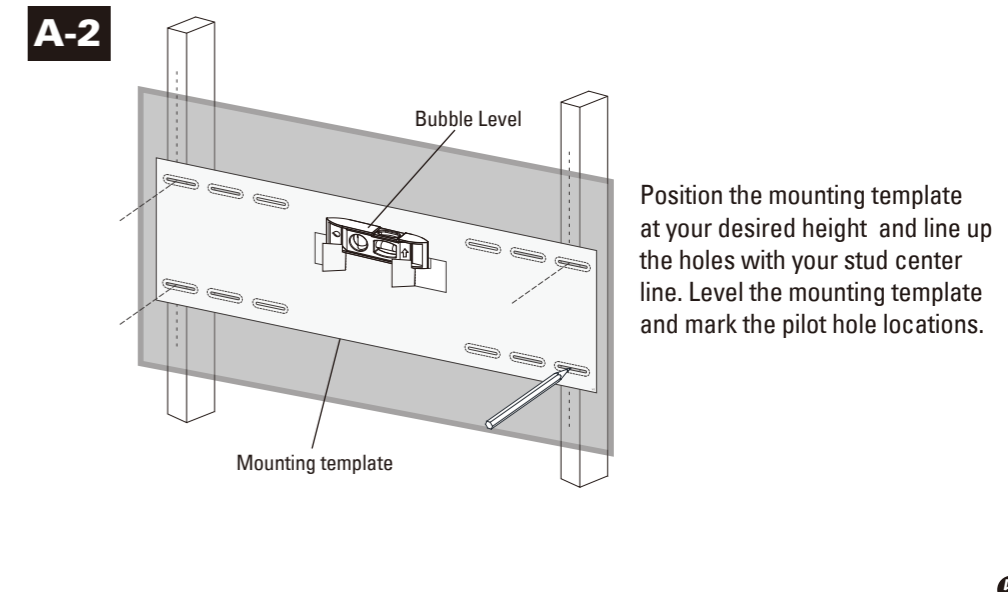
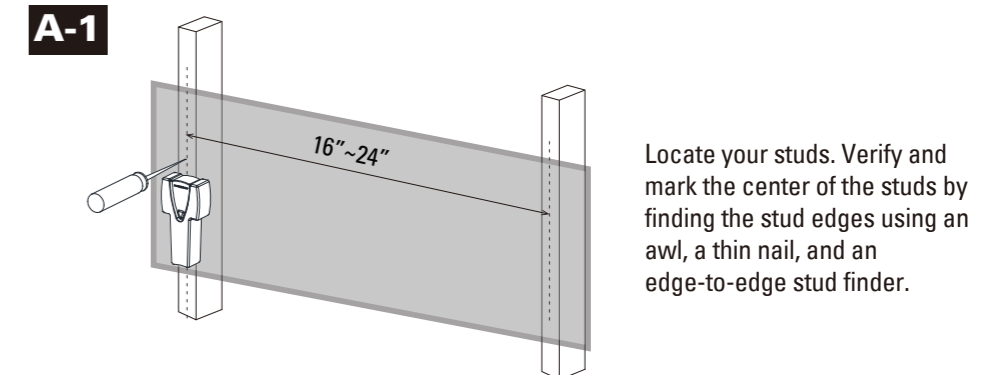


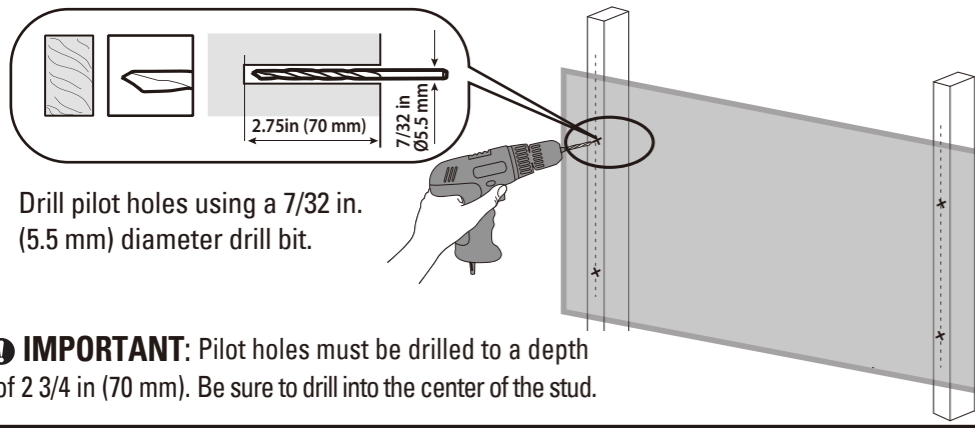
Step 1-3 Attach the bracket

⚠ CAUTION: Ensure bracket is securely fastened before moving on to the next step.



Step 2A Wall plate installation (wood stud)



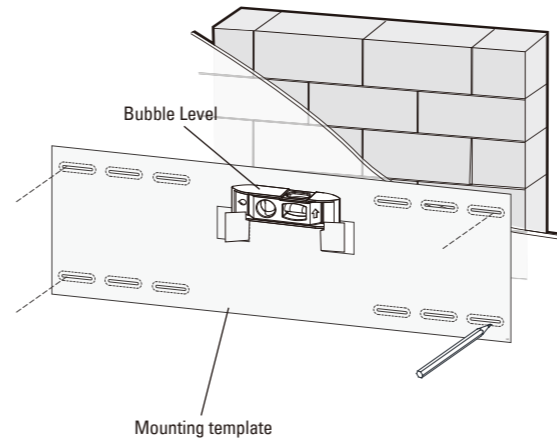
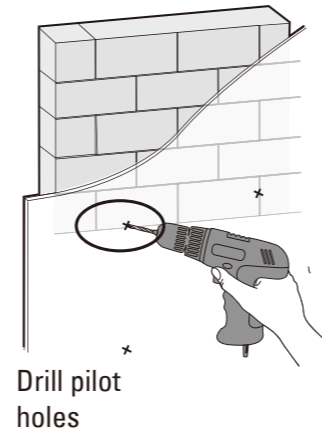
A-3

Drill pilot holes using a 7/32 in. (5.5 mm) diameter drill bit.

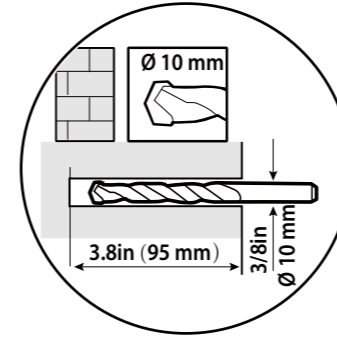
IMPORTANT: Pilot holes must be drilled to a depth of 2 3/4 in (70 mm). Be sure to drill into the center of the stud.

Step 2B Wall plate installation (concrete or brick)**B-1**

Position the mounting template at your desired height, level the mounting template and mark the pilot hole locations x4.

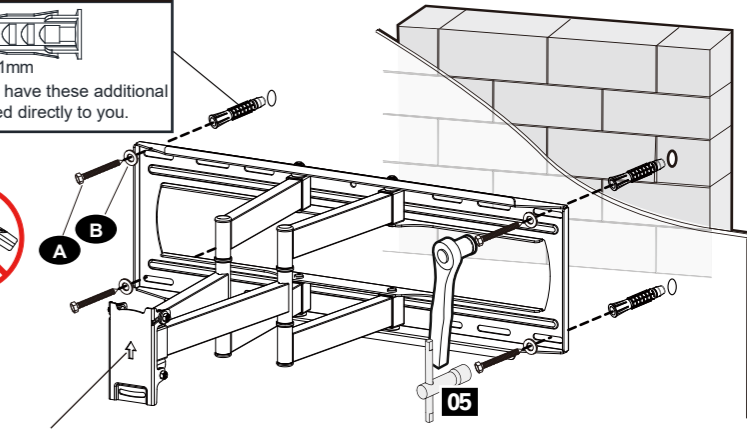
**B-2**

Drill pilot holes

**B-3**

Concrete wall anchor 4pcs (NOT INCLUDED)
Ø10*61mm

Contact us to have these additional pieces shipped directly to you.



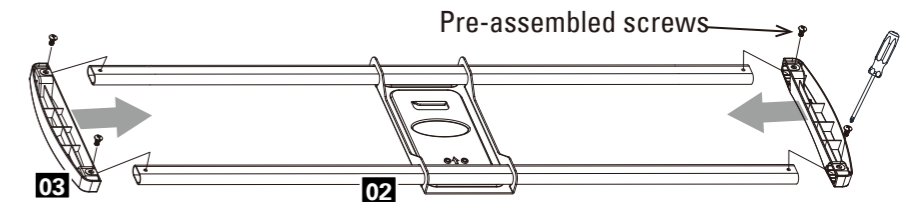
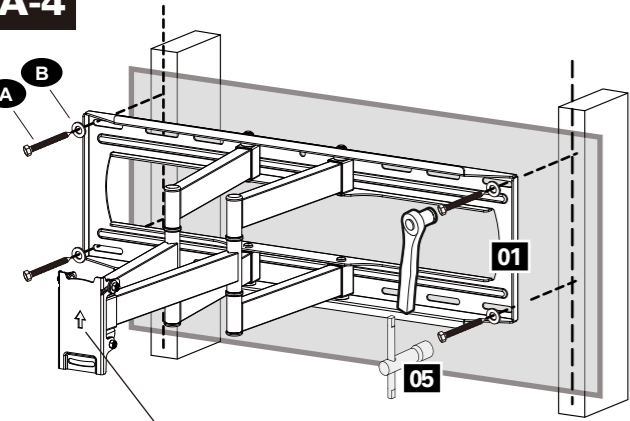
To prevent the TV falling down, the Arrow Must Keep UP at this step!!

Use the included wrench **05** when have not socket wrench in hand.

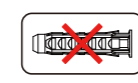
Install wall plate **01** using lag bolts **A** and anchor (not included). Tighten the lag bolts **A** until they are pulled firmly against the wall plate **01**.

STEP 3 Install front support and wall bracket together

3-1 Install the End Caps **03** to Front Support **02** with the preassembled screws.

**A-4**

Install wall bracket **01** using lag bolts **A** and washers **B**. Tighten the lag bolts **A** until they are pulled firmly against the wall bracket **01**.

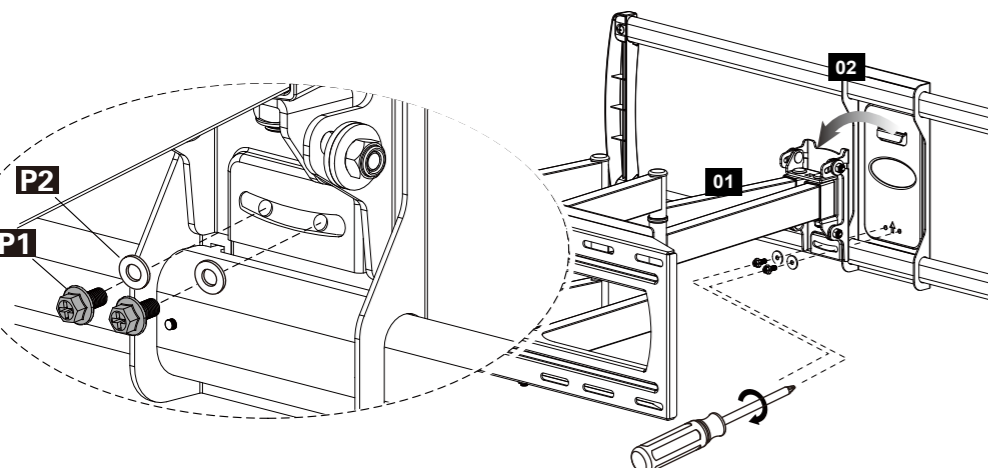
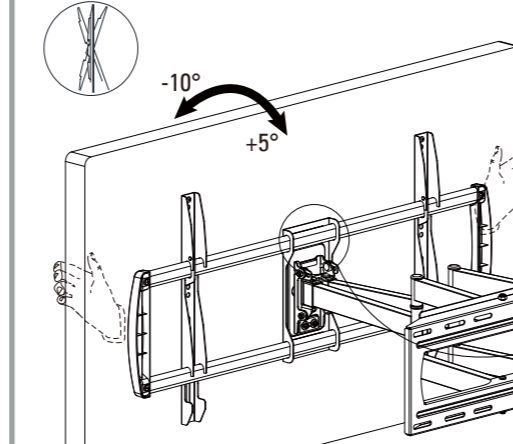


To prevent the TV falling down, the Arrow Must Keep UP at this step!!

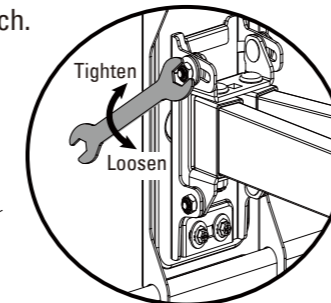
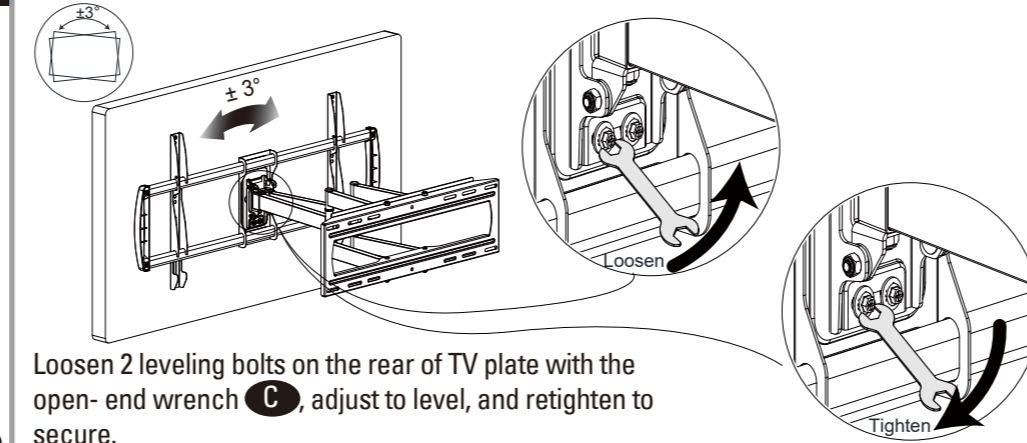
Use the included wrench **05** when have not socket wrench in hand.

6**STEP 3 Install front support and wall bracket together**

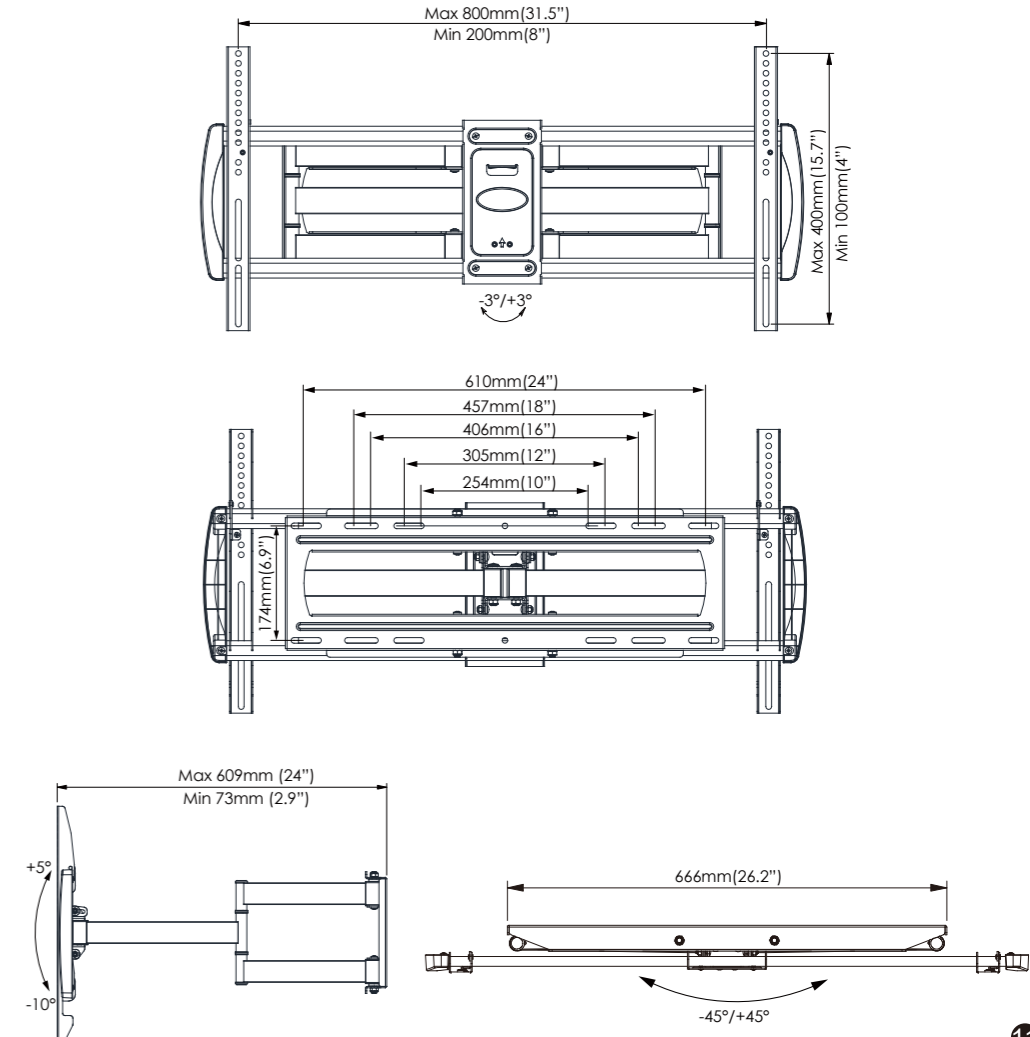
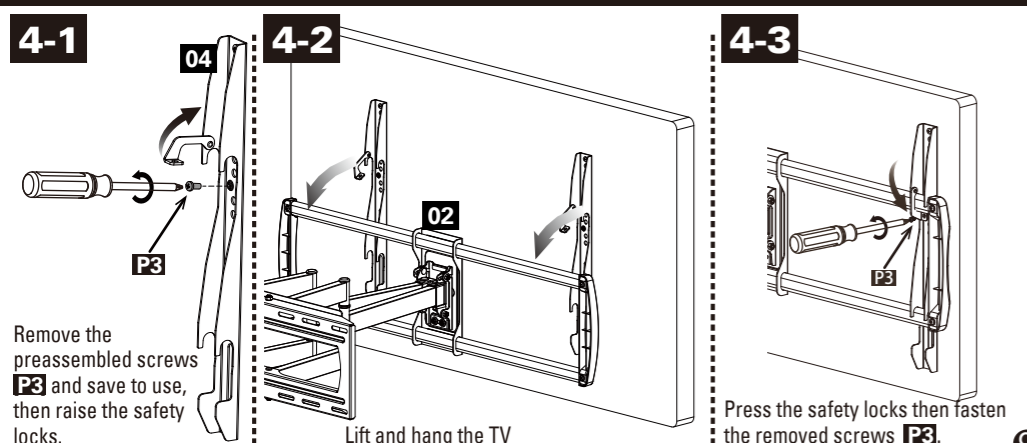
3-2 Hang front support onto wall bracket and using a screwdriver to secure with preassembled screws **P1** and washer **P2**.

**Adjustments****Tool-free Tilting Adjustment****(Tilting)**

Tilting Angle Adjustment (+5° / -10°)
Loosen 2 tilting bolts, pull TV to your desired angle, then fasten tilting nuts with open-end wrench.

**Adjustments****TV leveling adjustment (-3°/+3°)**

Loosen 2 leveling bolts on the rear of TV plate with the open-end wrench **C**, adjust to level, and retighten to secure.

Product dimensions:**STEP 4 Hang TV with brackets onto the arm extensions**

Remove the preassembled screws **P3** and save to use, then raise the safety locks.

Lift and hang the TV

Press the safety locks then fasten the removed screws **P3**.

9**11**