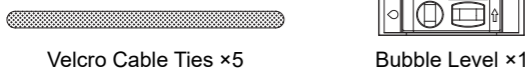
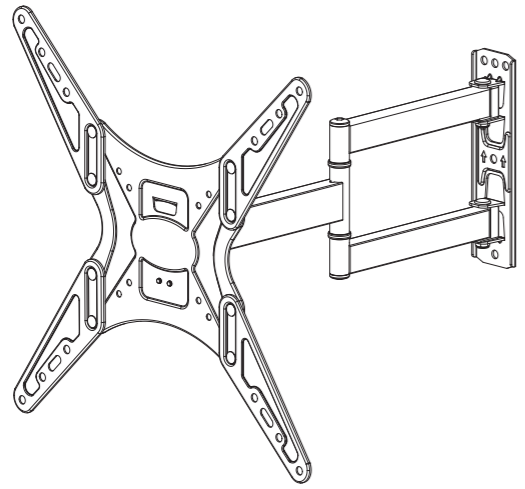


INSTALLATION INSTRUCTION



Max: 400x400mm/16x16"
Min: 100x100mm/4x4"

340-MU-DY

If you have any questions, please feel free to contact us via Amazon.

Warm Tips
You could also refer to the Video Guide about installation on our product page.

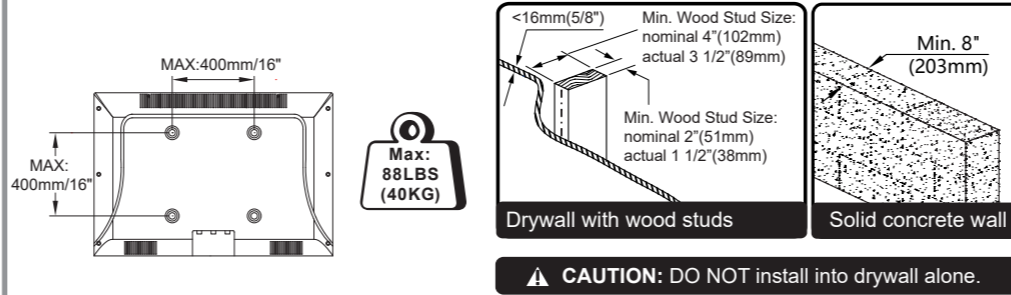
Safety Caution

Please read this instruction carefully before installation. If you do not understand these instructions or have doubts about the safety of the installation, assembly or use of this product, please contact us.

- This product is designed for use in wood stud or solid concrete wall.
- **DO NOT install into drywall alone.**
- The wall must be capable of supporting five times the weight of the TV and mount combined.
- Incorrect installation may result in product damage or body injury.

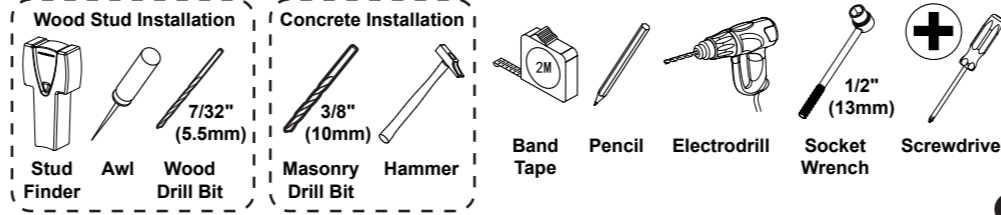
WARNING: This product contains small items that could be a choking hazard if swallowed. Before starting assembly, verify all parts are included and undamaged. For parts shortage or damage, please contact us.

Must Check Before Getting Started



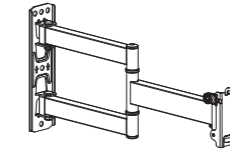
CAUTION: DO NOT install into drywall alone.

Installation Tools (Not Included)



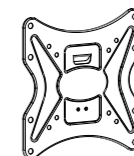
Hardware Included

Wall Plate



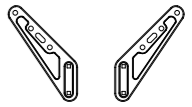
01 x1

TV Plate

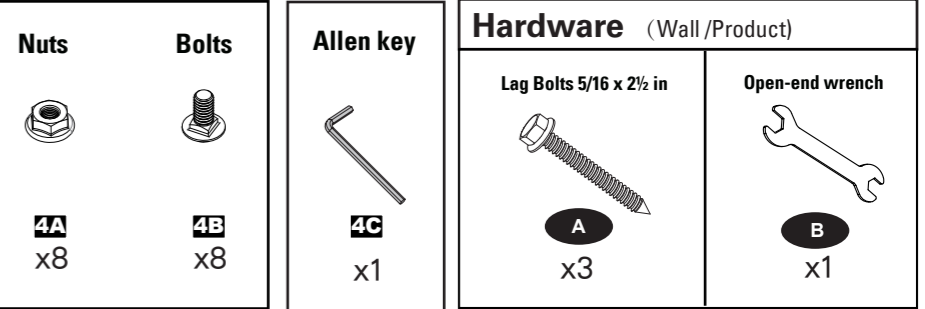


02 x1

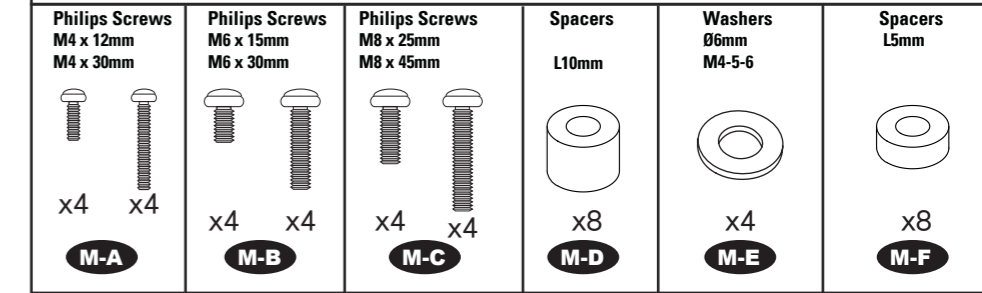
Extenders



3A x2
3B x2



TV Screws / Washers



Step 1-1 Select TV screw diameter

Thread screws by hand into the threaded holes on the back of your TV to select which screw diameter fits your TV.



Step 1-2 Select TV screw length

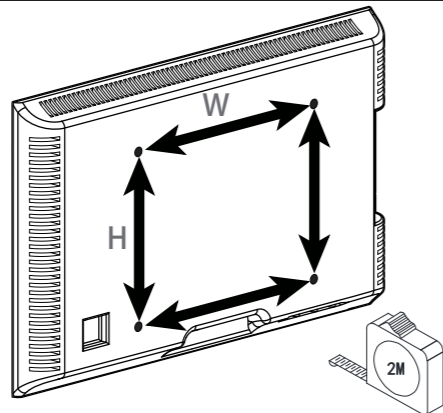
Warning: When attaching brackets to the flat screen, be careful not to over tighten screws and be sure that screws do not bottom out in the mounting holes.



Step 2 Measure your TV pattern

Measure and note the width and the height of the square or rectangle formed from the VESA holes pattern.

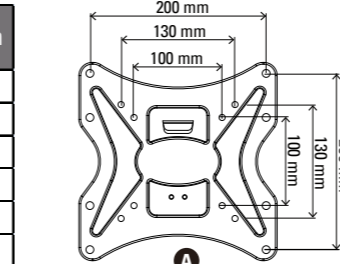
- 100mm ≈ 4in.
- 130mm ≈ 5 1/8in.
- 200mm ≈ 8in.
- 300mm ≈ 11 3/4in.
- 340mm ≈ 13 3/4in.
- 400mm ≈ 16in.



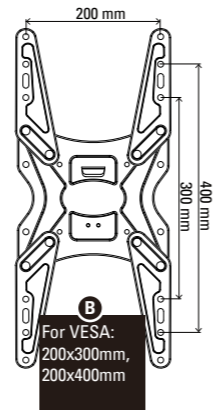
Step 3-1 Select monitor plate configuration

Select the configuration A, B, C, D, or E to use based on the measurement from STEP 2.

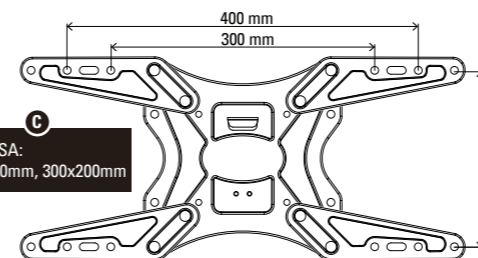
VESA Pattern (WxH)	Configuration	VESA Pattern (WxH)	Configuration
100mm x 100mm	A	300mm x 200mm	C
130mm x 130mm	A	300mm x 300mm	E
200mm x 100mm	A	400mm x 200mm	C
200mm x 200mm	A	400mm x 300mm	D
200mm x 300mm	B	400mm x 400mm	E
200mm x 400mm	B		



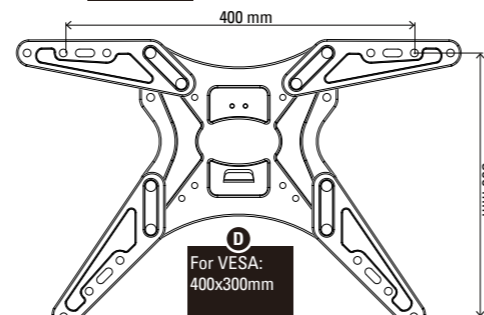
for VESA hole pattern: 100x100mm, 130x130mm, 200x100mm, 200x200mm.



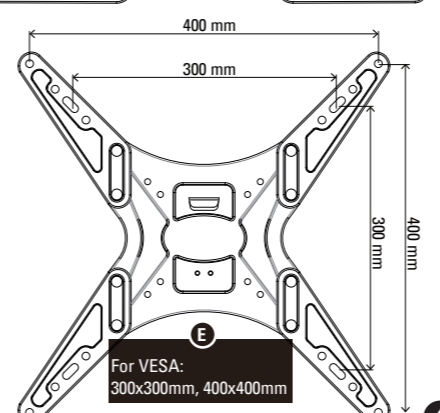
For VESA: 200x300mm, 200x400mm



For VESA: 400x200mm, 300x200mm



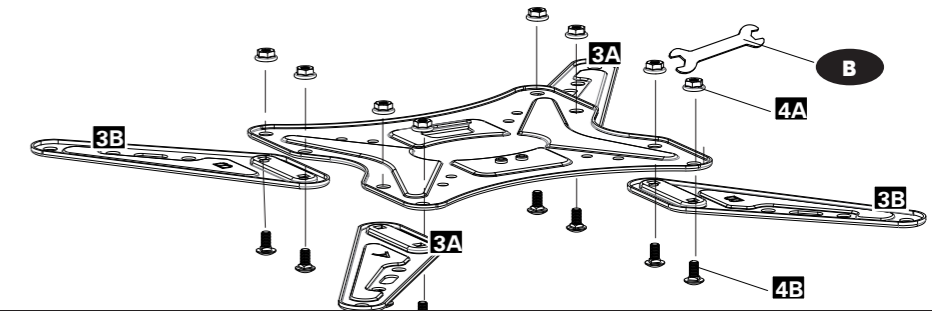
For VESA: 400x300mm



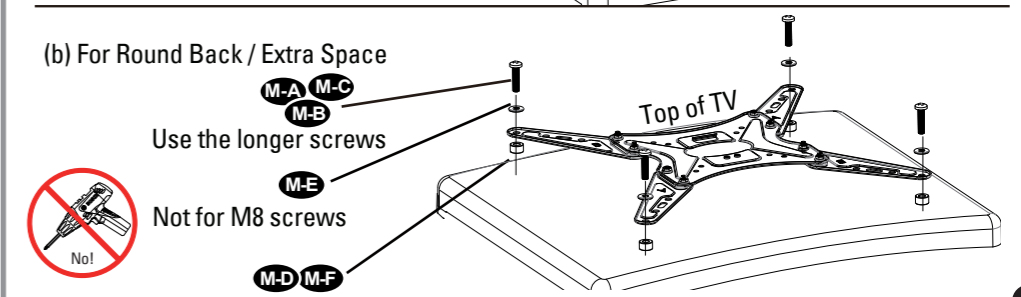
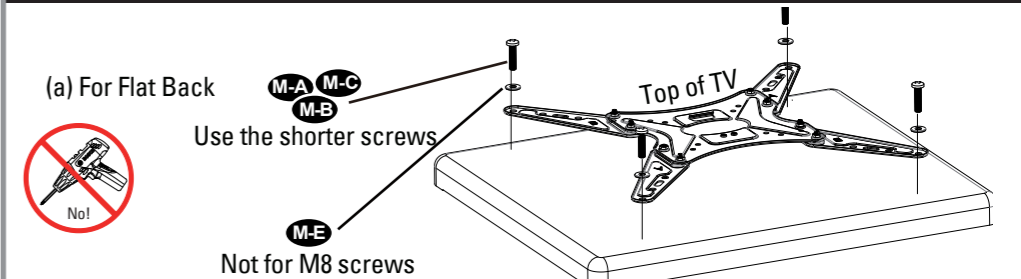
For VESA: 300x300mm, 400x400mm

Step 3-2 Assemble TV plate and extenders

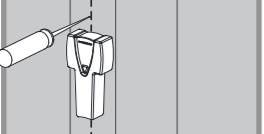
If your TV hole pattern is greater than 200x200mm, attach extenders 3A and 3B to TV plate 02 using Nut 4A and Bolt 4B.

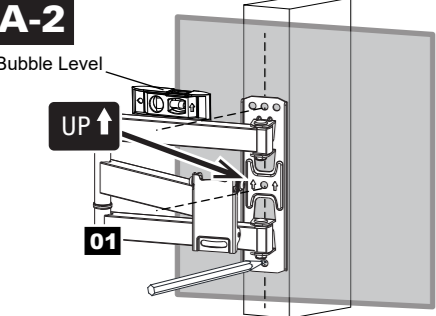


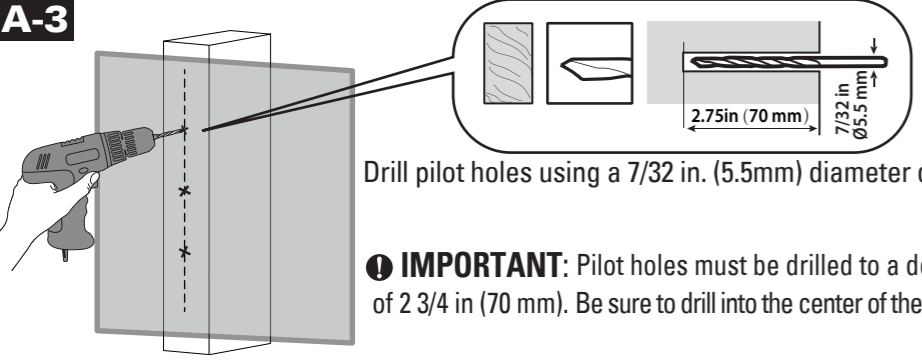
Step 3-3 Attach the brackets

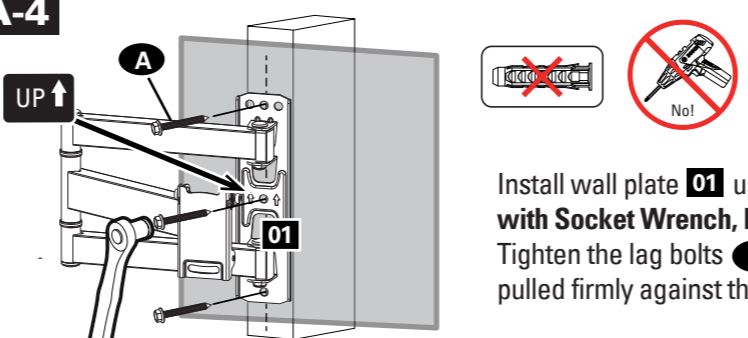


Step 4A Wall plate installation (wood stud)

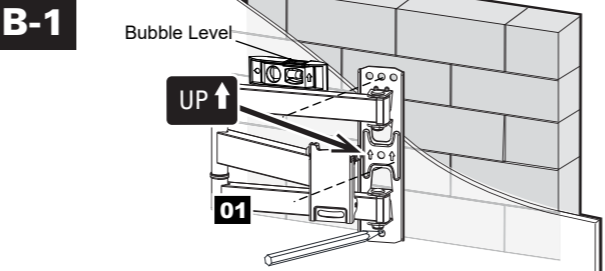
A-1  Locate your studs. Verify and mark the center of the stud by finding the stud edges using an awl, a thin nail, or an edge-to-edge stud finder.

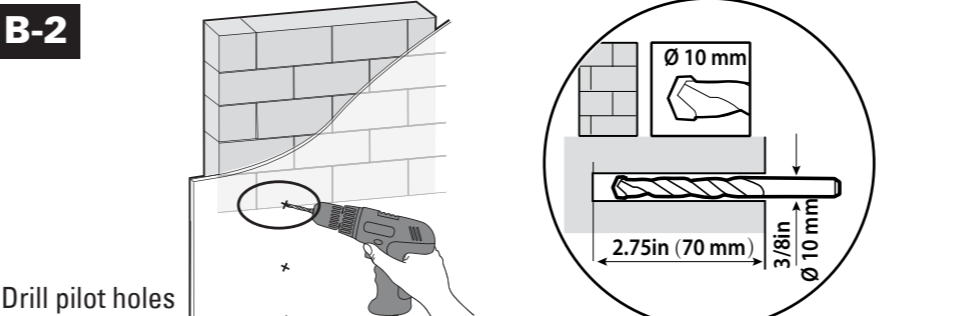
A-2  **Bubble Level**
Position the wall plate **01** at your desired height and line up the holes with your stud center line. Level the wall plate and mark the pilot hole locations.

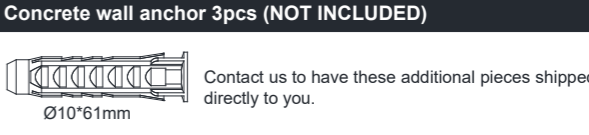
A-3  Drill pilot holes using a 7/32 in. (5.5mm) diameter drill bit.
IMPORTANT: Pilot holes must be drilled to a depth of 2 3/4 in (70 mm). Be sure to drill into the center of the stud.

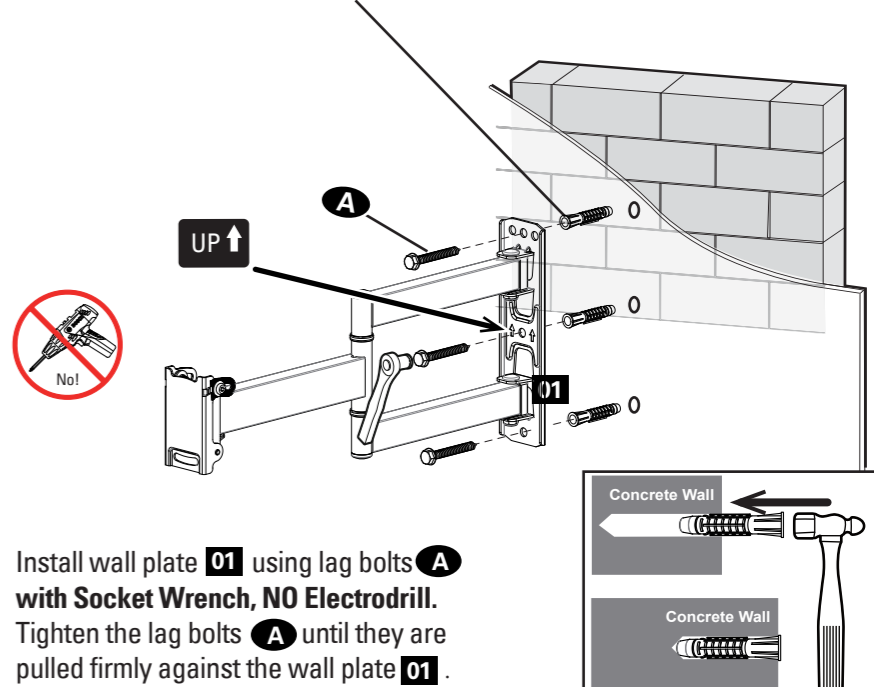
A-4  Install wall plate **01** using lag bolts **A** with **Socket Wrench, NO Electrodrill**. Tighten the lag bolts **A** until they are pulled firmly against the wall plate **01**.

Step 4B Wall plate installation (concrete or brick)

B-1  **Bubble Level**
Position the wall plate **01** at your desired height, level the wall plate and mark the pilot hole locations x3.

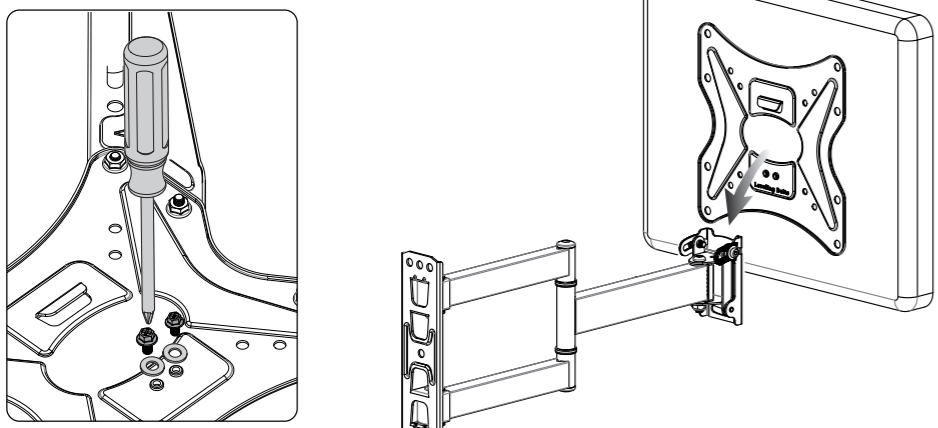
B-2  Drill pilot holes

B-3  **Concrete wall anchor 3pcs (NOT INCLUDED)**
Ø10*61mm
Contact us to have these additional pieces shipped directly to you.

 Install wall plate **01** using lag bolts **A** with **Socket Wrench, NO Electrodrill**. Tighten the lag bolts **A** until they are pulled firmly against the wall plate **01**.

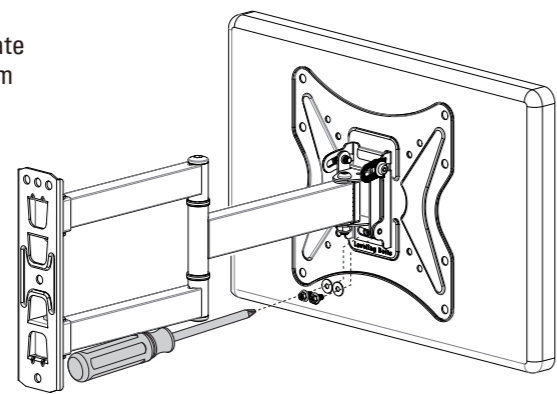
Step 5 Lift and hang TV with brackets onto wall bracket

Lift and hang TV assembly onto arm and wall plate.

 Remove 2 preassembled screws and washers, save them for using to next step.

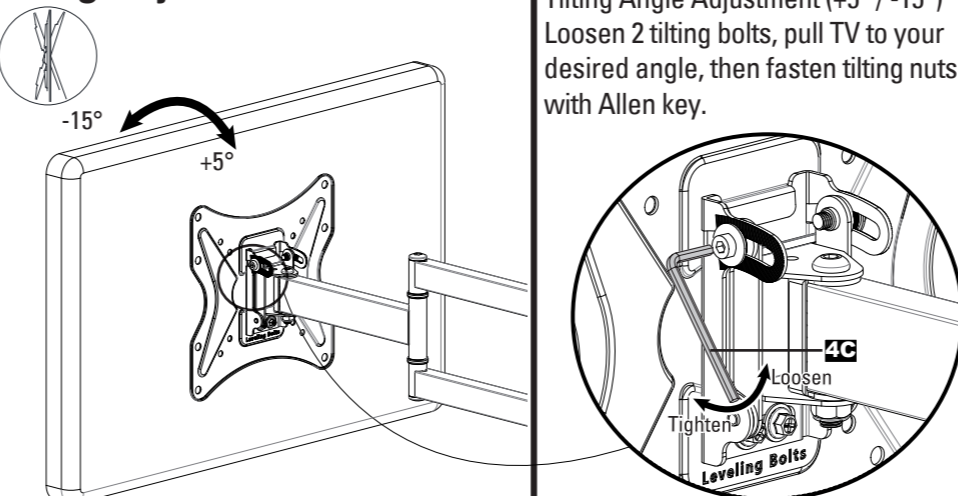
Secure the TV plate to the arm and wall plate with the removed screws and washers from the previous step.





Adjustments

Tilting Adjustment

 **(Tilting)**
Tilting Angle Adjustment (+5° / -15°)
Loosen 2 tilting bolts, pull TV to your desired angle, then fasten tilting nuts with Allen key.

Leveling adjustment (-3°/+3°)

If needed, TV can be leveled ±3 degrees via adjusting the 2 screws with the open-end wrench.

 **Loosen the screws** **Level the TV** **Tighten the screws**

Product dimensions:

