

If you have any questions, please contact us.

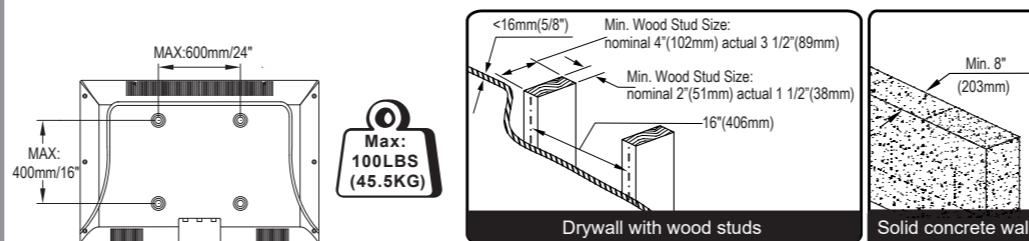
### Safety Caution

Please read this instruction carefully before installation. If you do not understand these instructions or have doubts about the safety of the installation, assembly or use of this product, please contact us.

- This product is designed for use in wood stud and solid concrete wall.
  - **DO NOT install into drywall alone.**
- The wall must be capable of supporting five times the weight of the TV and mount combined.
- Do not apply this product to any purpose not indicated by MOUNTUP.
- Incorrect installation may result in product damage or body injury. MOUNTUP shall bear no responsibility for any damage or injury resulted from incorrect installation, incorrect assembly or misuse.

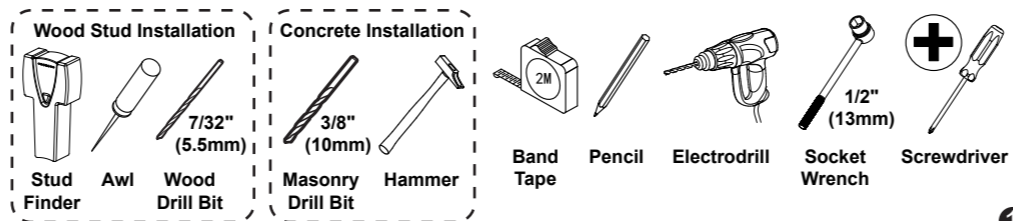
**WARNING:** This product contains small items that could be a choking hazard if swallowed. Before starting assembly, verify all parts are included and undamaged. For parts shortage or damage, please contact us.

### Must Check Before Getting Started



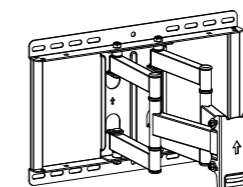
**CAUTION:** DO NOT install into drywall alone.

### Installation Tools (Not Included)



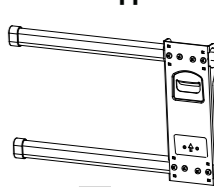
### Hardware Included

#### Arm and Wall Plate



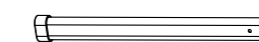
01 x1

#### Front Support



02 x1

#### Arm Extensions



03 x2

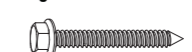
#### Brackets



04 x2

### Hardware (Wall/Product)

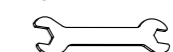
#### Lag Bolts 5/16 x 2 1/2 in



x4

A

#### Open-end wrench



x1

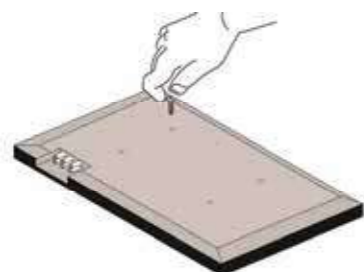
B

### TV Screws / Washers

Philips Screws M4 x 12mm M4 x 30mm	Philips Screws M6 x 15mm M6 x 30mm	Philips Screws M8 x 25mm M8 x 45mm	Spacers L10mm	Washers Ø6mm M4-5-6	Spacers L5mm
x4	x4	x4	x8	x4	x8
M-A	M-B	M-C	M-D	M-E	M-F

### Step 1-1 Select TV screw diameter

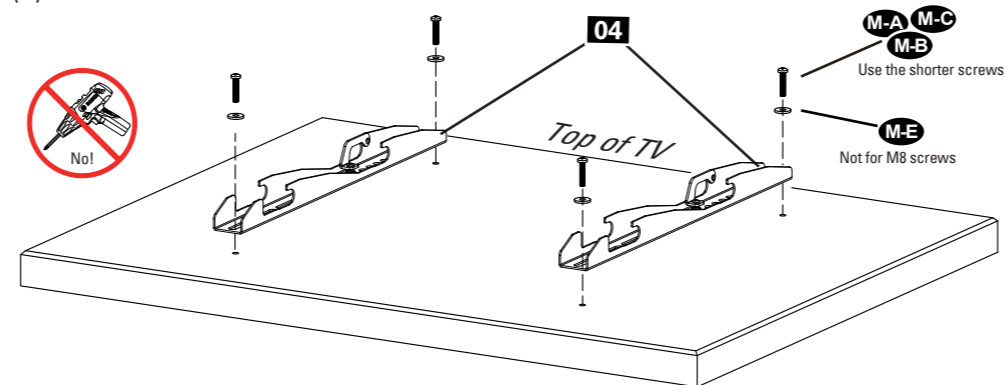
Thread screws by hand into the threaded holes on the back of your TV to select which screw diameter fits your TV.



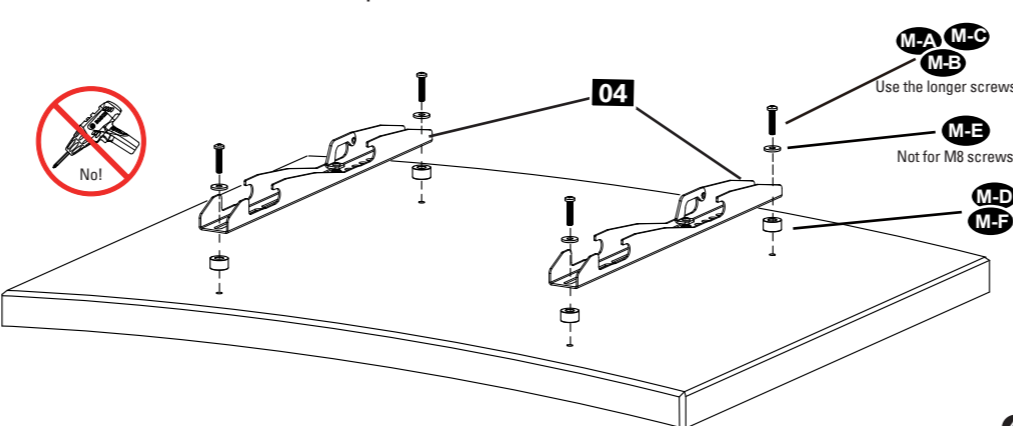
### Step 1-3 Attach the bracket

**CAUTION:** Ensure bracket is securely fastened before moving on to the next step.

(a) For Flat Back

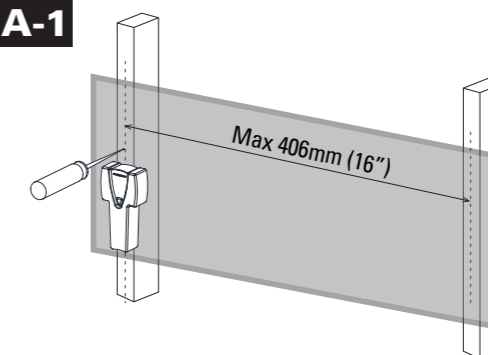


(b) For Round Back / Extra Space



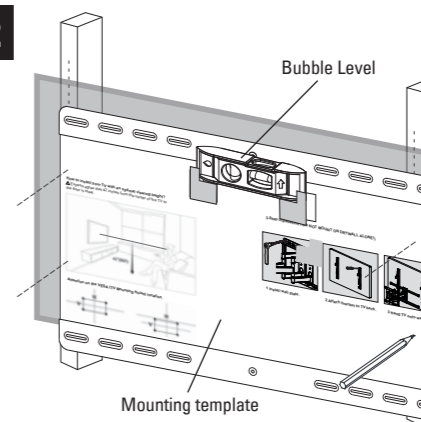
### Step 2A Wall plate installation (wood stud)

#### 2A-1



Locate your studs. Verify and mark the center of the studs by finding the stud edges using an awl, a thin nail, and an edge-to-edge stud finder.

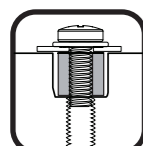
#### 2A-2



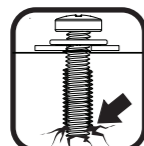
Position the mounting template at your desired height and line up the holes with your stud center line. Level the mounting template and mark the pilot hole locations.

### Step 1-2 Select TV screw length

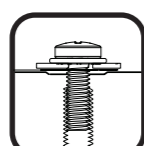
**Warning:** When attaching brackets to the flat screen, be careful not to over tighten screws and be sure that screws do not bottom out in the mounting holes.



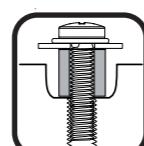
Too Short



Too Long



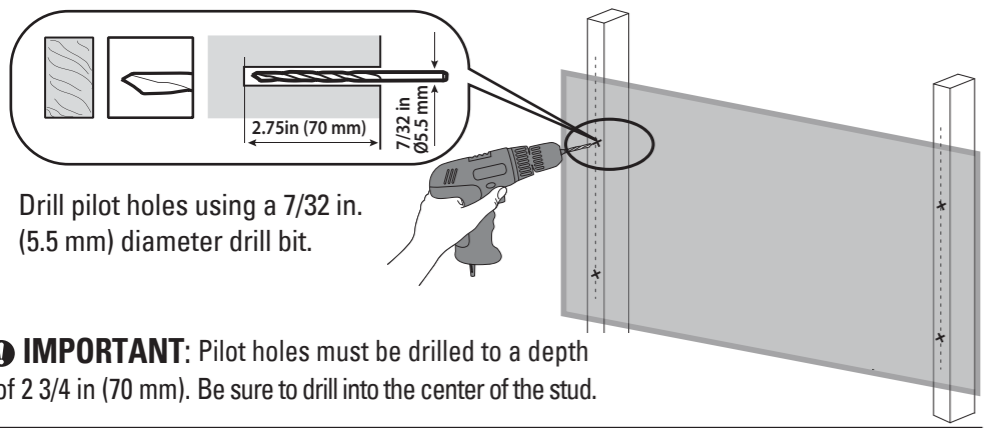
Correct



Correct



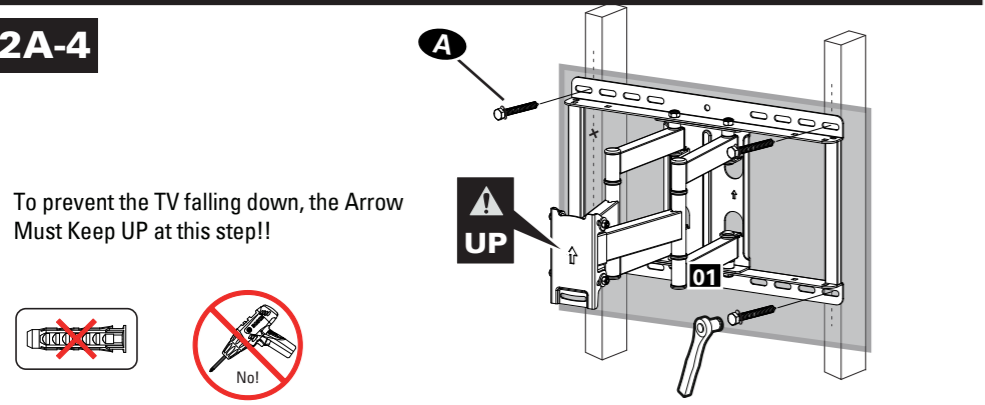
**2A-3**



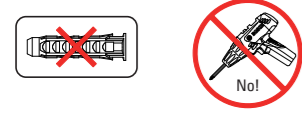
Drill pilot holes using a 7/32 in. (5.5 mm) diameter drill bit.

**IMPORTANT:** Pilot holes must be drilled to a depth of 2 3/4 in (70 mm). Be sure to drill into the center of the stud.

**2A-4**



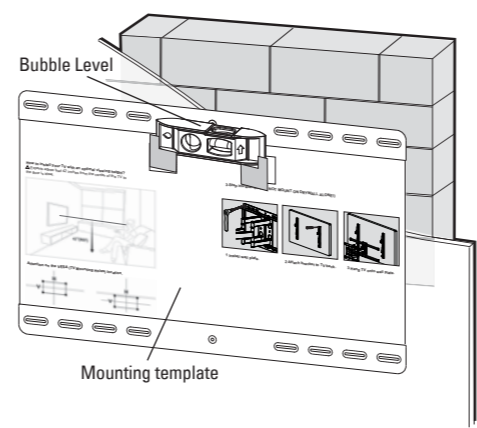
To prevent the TV falling down, the Arrow Must Keep UP at this step!!



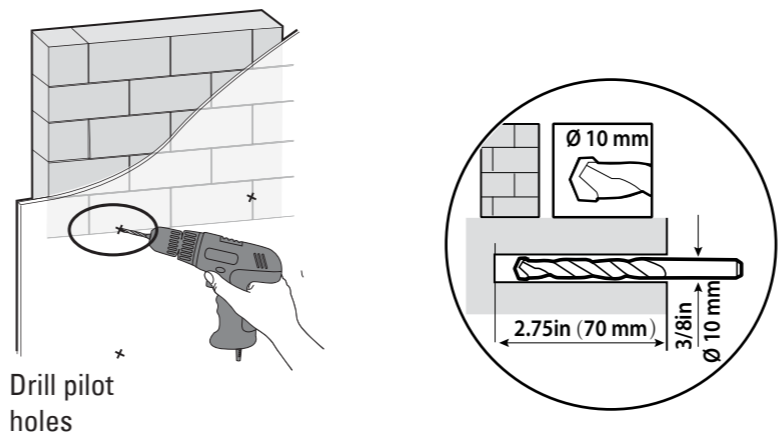
Install wall plate **01** using lag bolts **A** with **Socket Wrench, NO Electrodrill**. Tighten the lag bolts **A** until they are pulled firmly against the wall plate **01**.

**Step 2B Wall plate installation (concrete or brick)**

Position the mounting template at your desired height, level the mounting template and mark the pilot hole locations x4.



**2B-2**

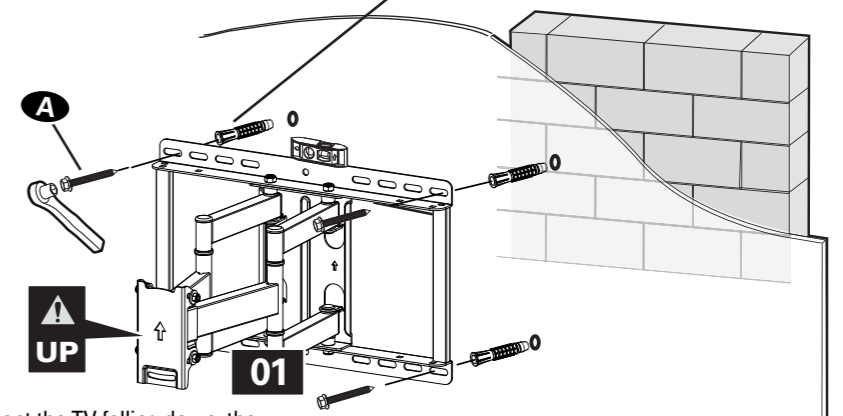


Drill pilot holes

**2B-3**

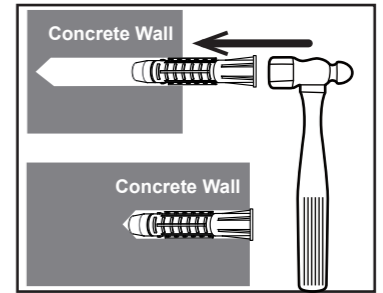


**Concrete wall anchor 4pcs (NOT INCLUDED)**  
 Contact us to have these additional pieces shipped directly to you.  
 Ø10\*61mm



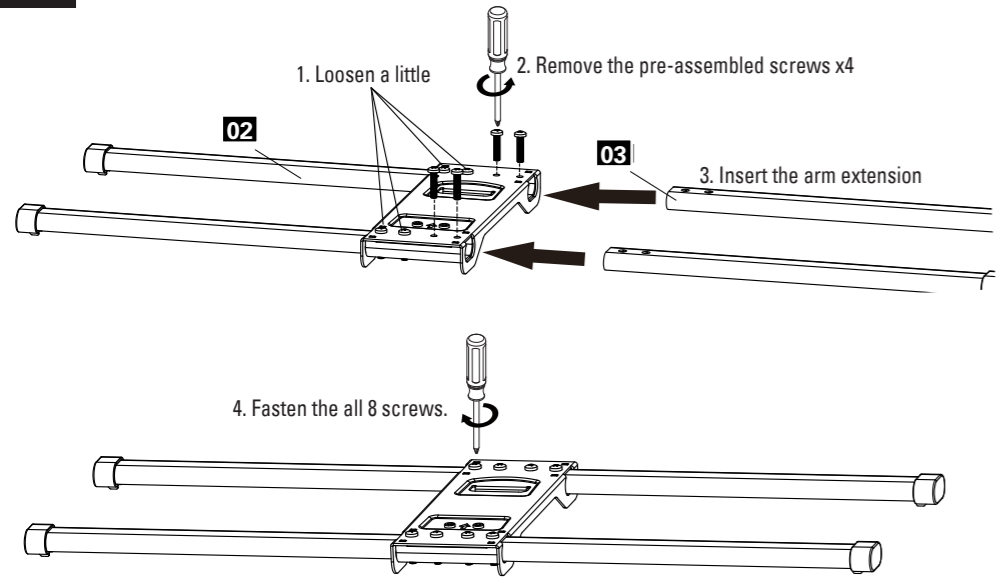
To prevent the TV falling down, the Arrow Must Keep UP at this step!!

Install wall plate **01** using lag bolts **A** and anchor (not included). Tighten the lag bolts **A** until they are pulled firmly against the wall plate **01**.

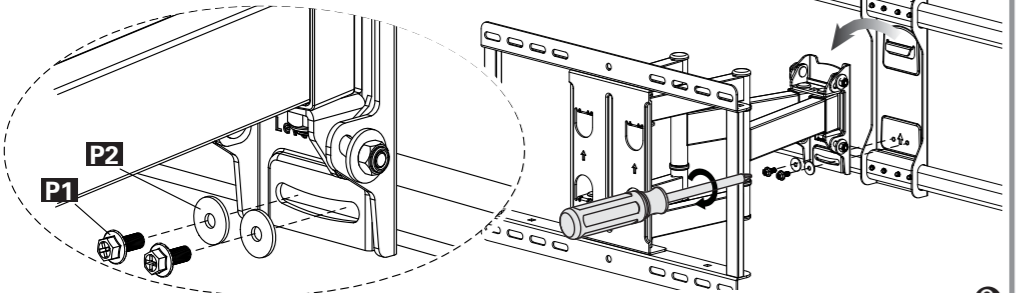


**Step 3 Install front support and extensions**

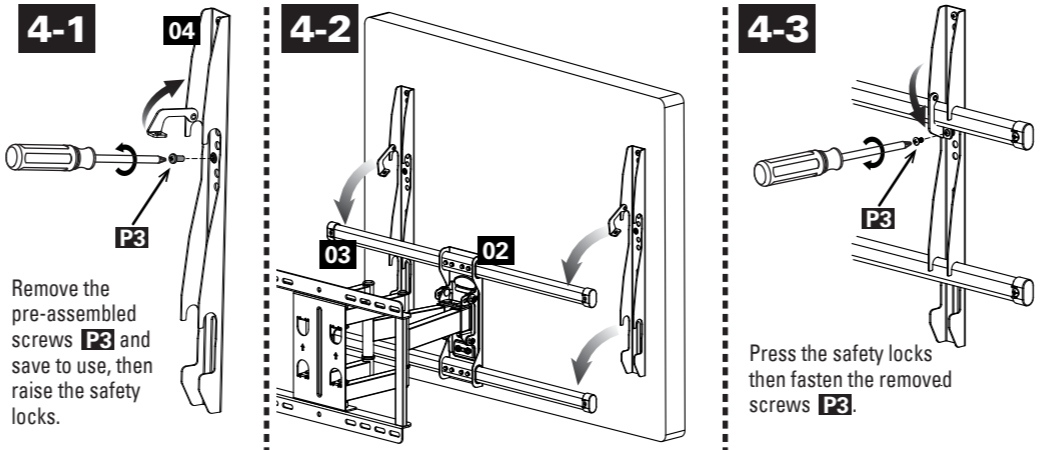
**3-1** Install the extensions **03** to Front support **02** with the pre-assembled screws.



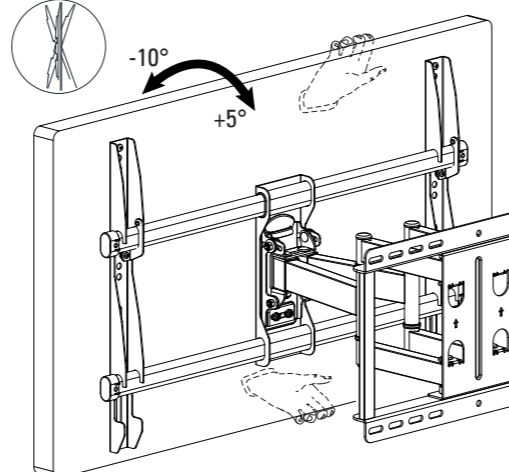
**3-2** Hang **02** onto **01** and using a screwdriver to secure with pre-assembled screws **P1** and washer **P2**.



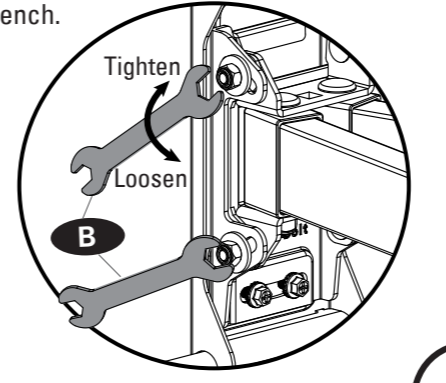
**Step 4 Hang TV with brackets onto the arm extensions**



**Adjustments Tool-free Tilting Adjustment**

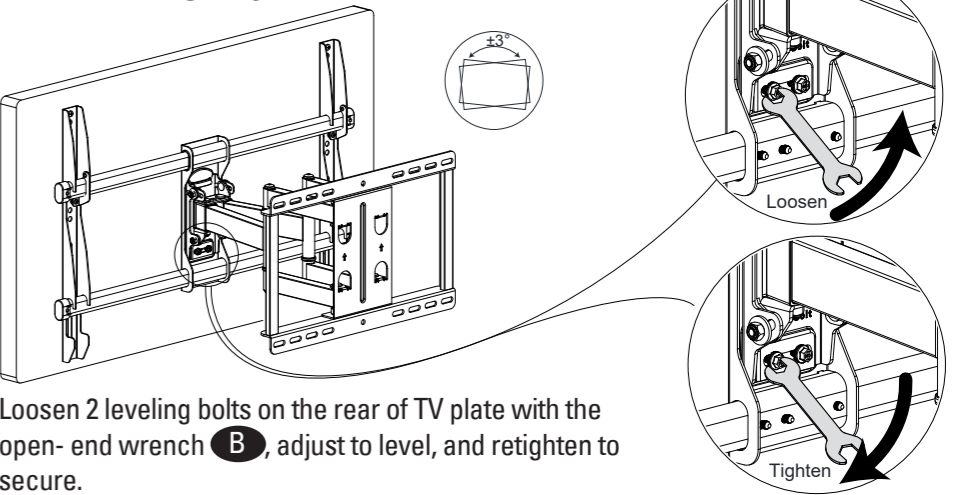


**⚠ If necessary**  
 If TV keeps tilting down, pull TV to desired angle then fasten tilting nuts with open-end wrench.



**Adjustments**

**TV leveling adjustment (-3°/+3°)**



Loosen 2 leveling bolts on the rear of TV plate with the open-end wrench **B**, adjust to level, and retighten to secure.

**Product dimensions:**

