

If you have any questions, please contact us.

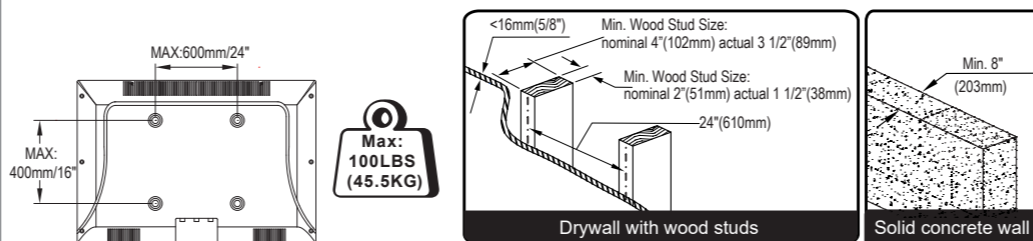
### Safety Caution

Please read this instruction carefully before installation. If you do not understand these instructions or have doubts about the safety of the installation, assembly or use of this product, please contact us.

- This product is designed for use in wood stud and solid concrete wall.
  - **DO NOT install into drywall alone.**
- The wall must be capable of supporting five times the weight of the TV and mount combined.
- Do not apply this product to any purpose not indicated by MOUNTUP.
- Incorrect installation may result in product damage or body injury. MOUNTUP shall bear no responsibility for any damage or injury resulted from incorrect installation, incorrect assembly or misuse.

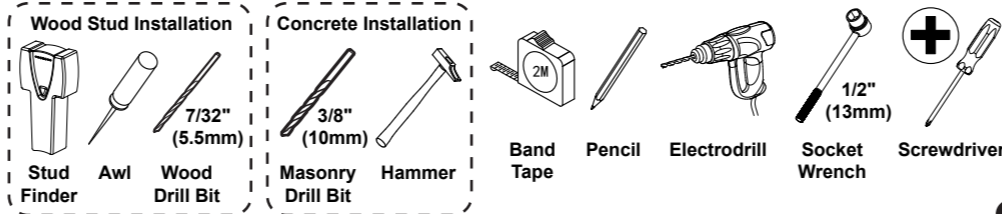
**WARNING:** This product contains small items that could be a choking hazard if swallowed. Before starting assembly, verify all parts are included and undamaged. For parts shortage or damage, please contact us.

### Must Check Before Getting Started

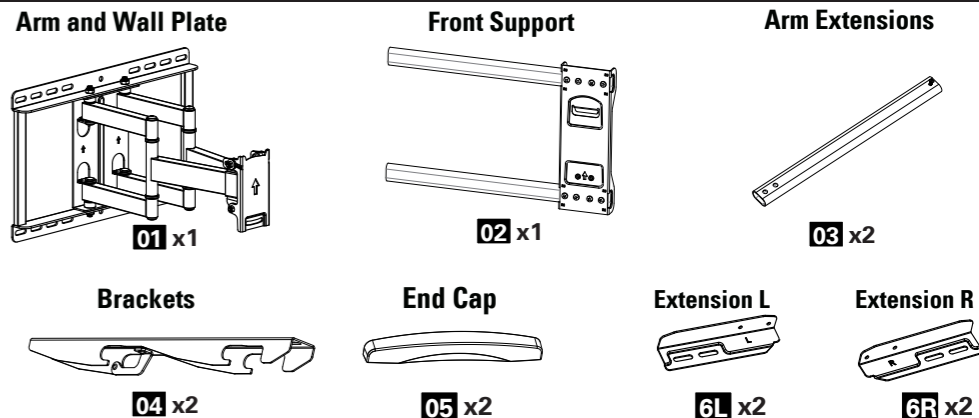


**CAUTION:** DO NOT install into drywall alone.

### Installation Tools (Not Included)



### Hardware Included



Hardware (Wall/Product)		
Lag Bolts 5/16 x 2 1/2 in x4 <b>A</b>	Washers Ø8mm x4 <b>B</b>	Open end wrench x1 <b>C</b>

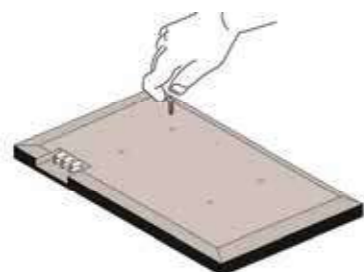
Extension Kit	
Bolts M6 x 12 x8 <b>D</b>	Nuts M6 x8 <b>E</b>

### TV Screws / Washers

Philips Screws M4 x 12mm / M4 x 30mm	Philips Screws M6 x 15mm / M6 x 30mm	Philips Screws M8 x 25mm / M8 x 45mm	Spacers L10mm	Washers Ø6mm / M4-5-6	Spacers L5mm
x4 <b>M-A</b>	x4 <b>M-B</b>	x4 <b>M-C</b>	x8 <b>M-D</b>	x4 <b>M-E</b>	x8 <b>M-F</b>

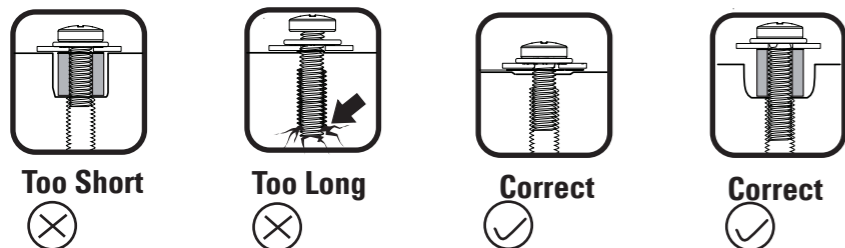
### Step 1-1 Select TV screw diameter

Thread screws by hand into the threaded holes on the back of your TV to select which screw diameter fits your TV.



### Step 1-2 Select TV screw length

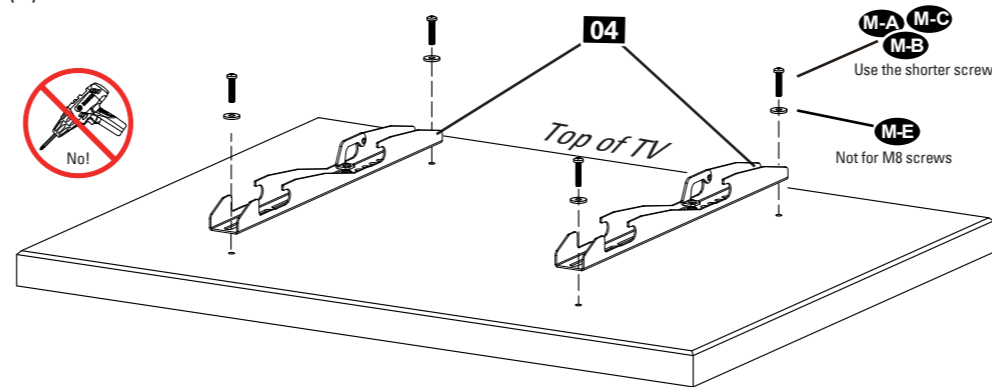
**Warning:** When attaching brackets to the flat screen, be careful not to over tighten screws and be sure that screws do not bottom out in the mounting holes.



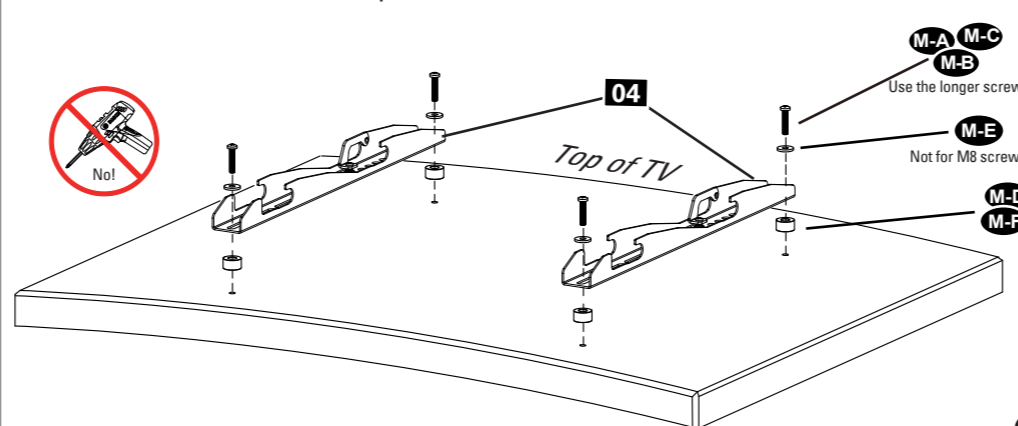
### Step 1-3 Attach the bracket

**CAUTION:** Ensure bracket is securely fastened before moving on to the next step.

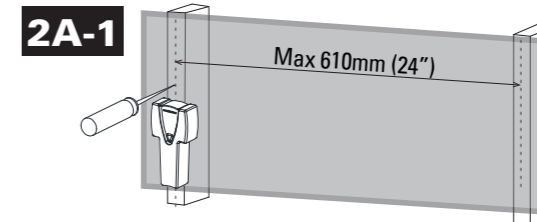
(a) For Flat Back



(b) For Round Back / Extra Space

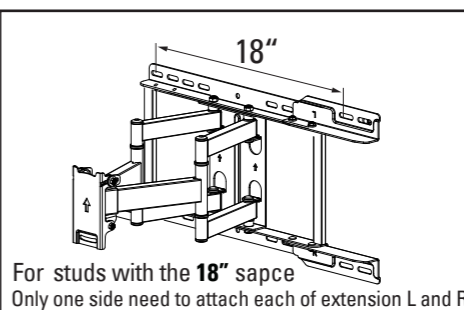
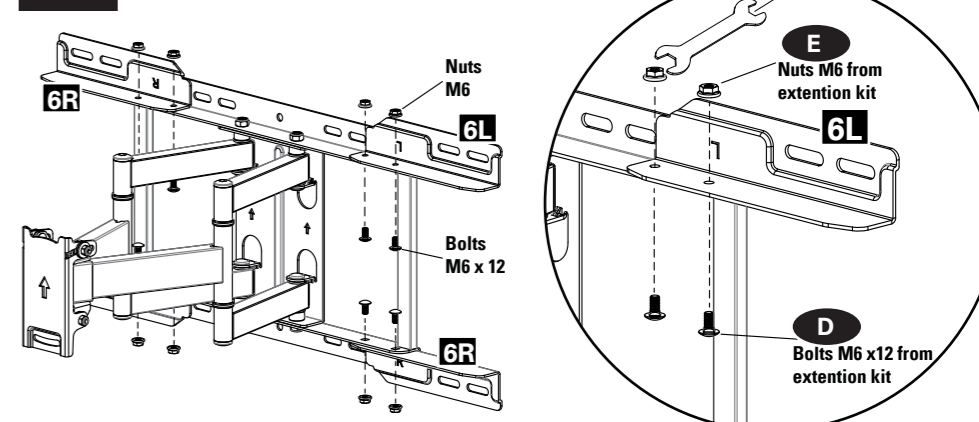


### Step 2A Wall plate installation (wood stud)

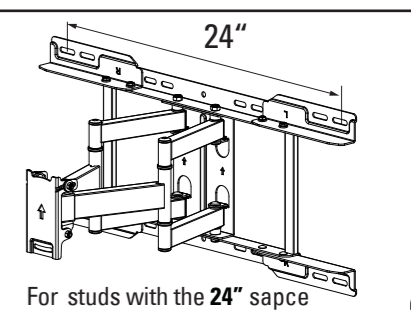


Locate your studs. Verify and mark the center of the studs by finding the stud edges using an awl, a thin nail, and an edge-to-edge stud finder.

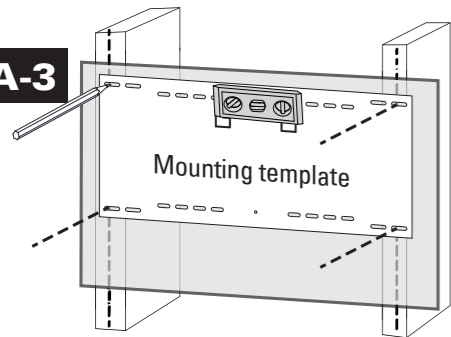
### 2A-2 Attach the Extensions to the Wall Plate



For studs with the 18" sapce Only one side need to attach each of extension L and R

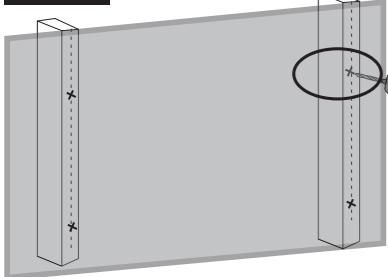


For studs with the 24" sapce

**2A-3**

Mounting template

Position the mounting template at your desired height and line up the holes with your stud center line. Level the mounting template and mark the pilot hole locations.

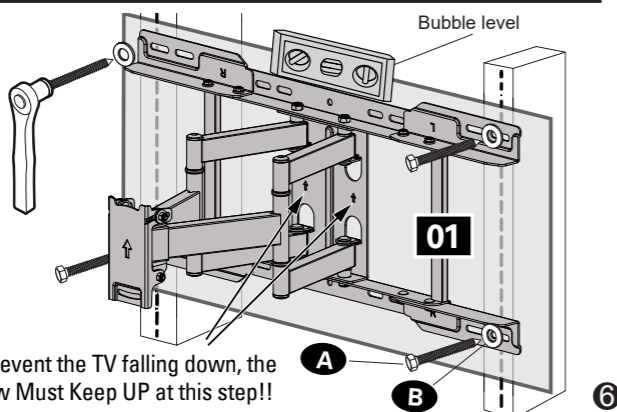
**2A-4**

Drill pilot holes using a 7/32 in. (5.5 mm) diameter drill bit.

**IMPORTANT:** Pilot holes must be drilled to a depth of 2 3/4 in (70 mm). Be sure to drill into the center of the stud.

**2A-5**

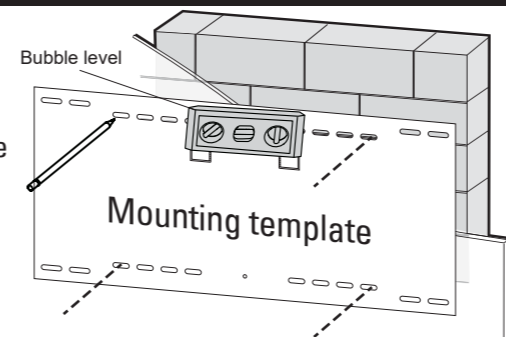
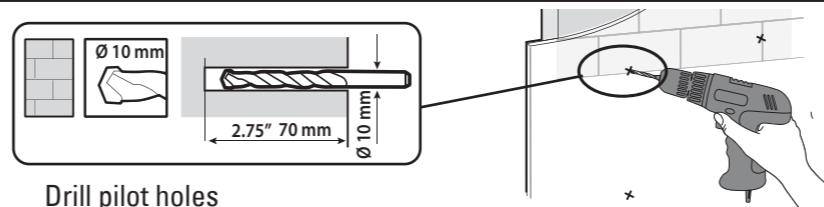
Mount wall plate using 4 sets of 5/16" lag bolts **A** and washers **B** with a 1/2 in. socket wrench (not included).



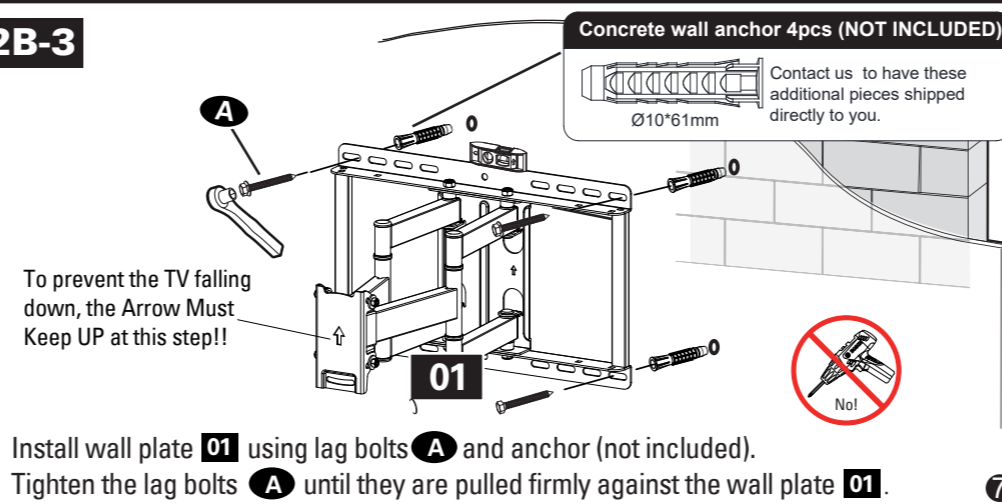
To prevent the TV falling down, the Arrow Must Keep UP at this step!!

**Step 2B Wall plate installation (concrete or brick)****2B-1**

Position the mounting template at your desired height, level the mounting template and mark the pilot hole locations x4.

**2B-2**

Drill pilot holes

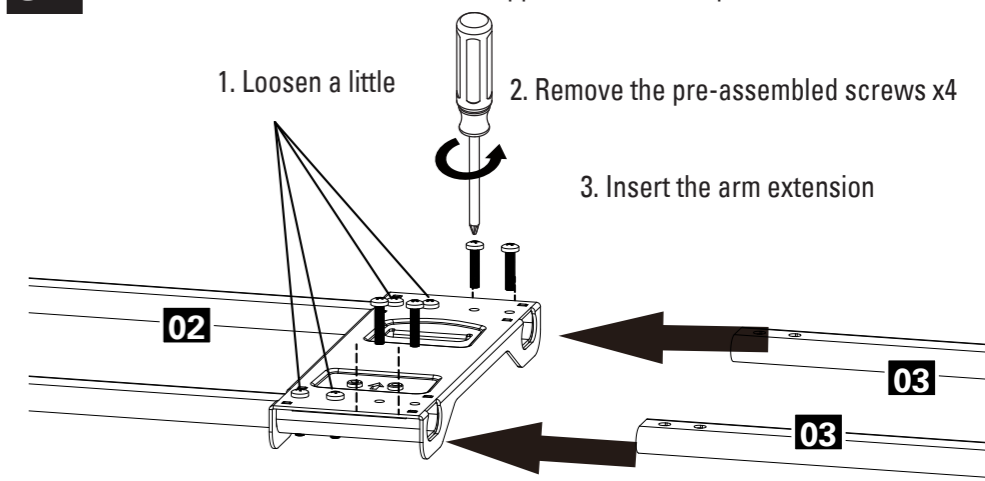
**2B-3**

To prevent the TV falling down, the Arrow Must Keep UP at this step!!

Install wall plate **01** using lag bolts **A** and anchor (not included). Tighten the lag bolts **A** until they are pulled firmly against the wall plate **01**.

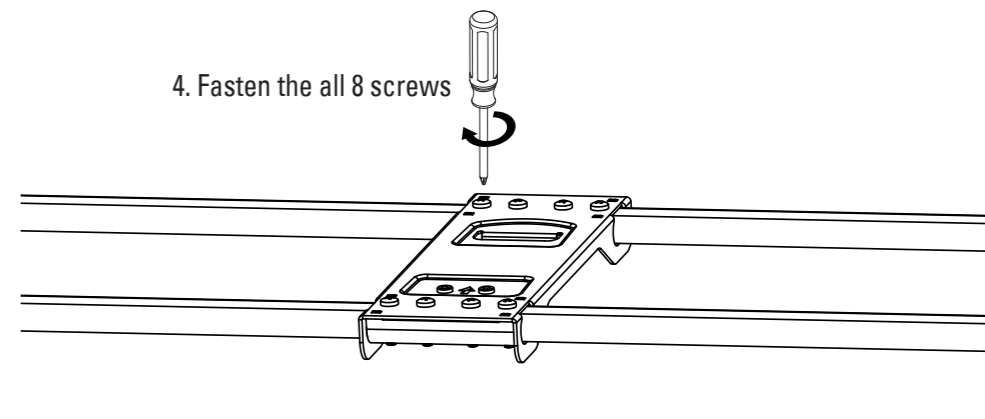
**STEP 3 Install Front Support and Extensions and End Cap together****3-1**

Install the extensions **03** to front support **02** with the pre-assembled screws.

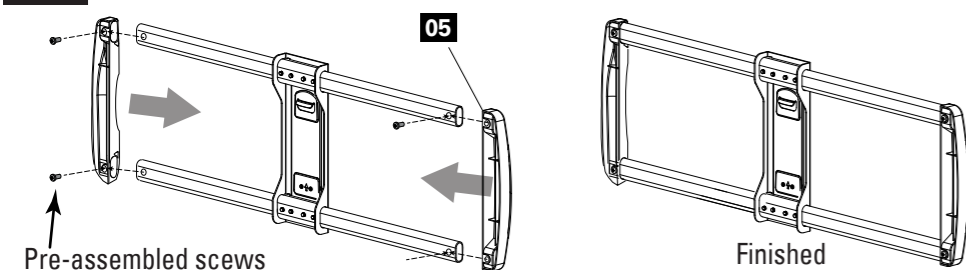


1. Loosen a little
2. Remove the pre-assembled screws x4
3. Insert the arm extension

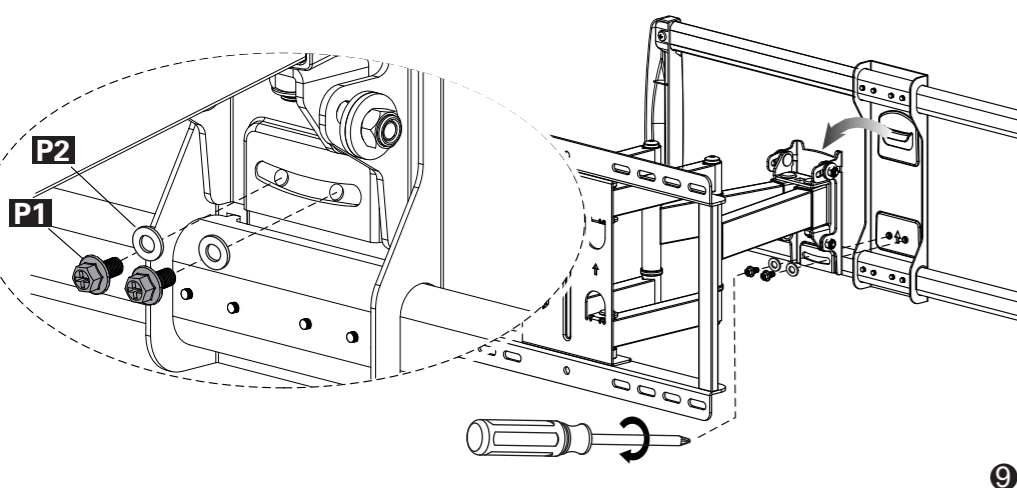
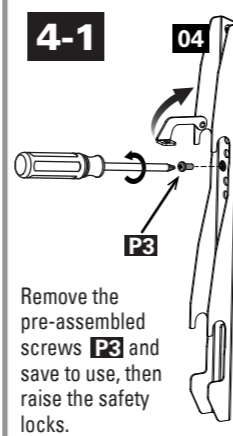
4. Fasten the all 8 screws

**STEP 3 Install Front Support and Extensions and End Cap together**

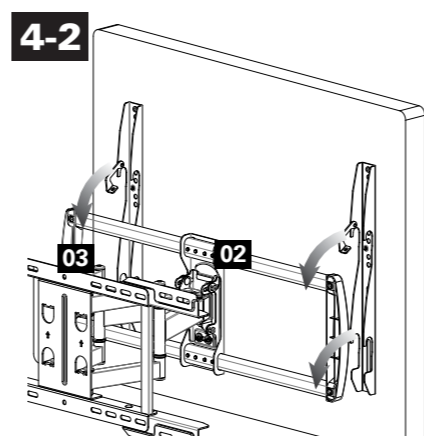
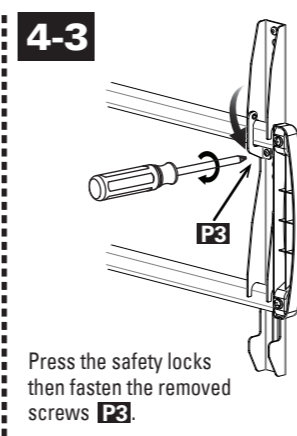
**3-2** Install the end cover **05** to front support with the pre-assembled screws.



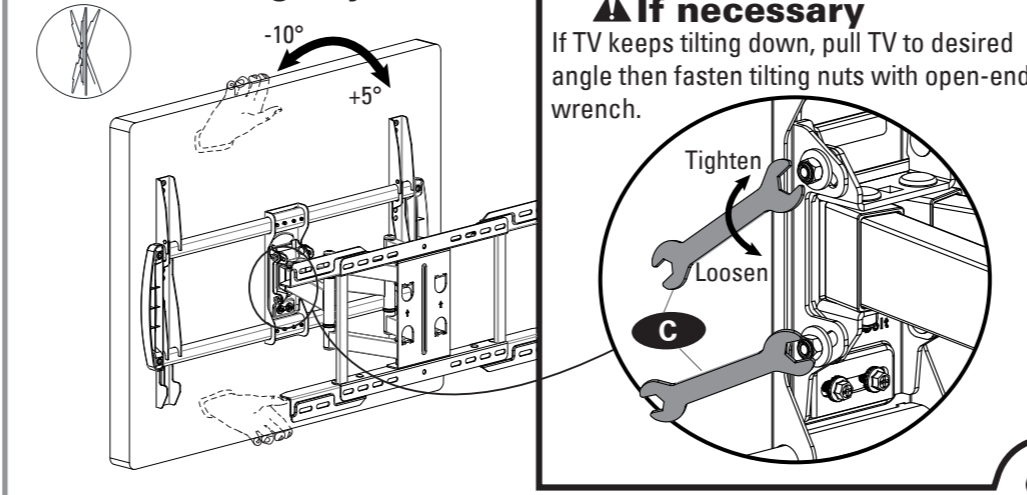
**3-3** Hang **02** onto **01** and using a screwdriver to secure with preassembled screws and washer **P2**.

**Step 4 Hang TV with brackets onto the arm extensions****4-1**

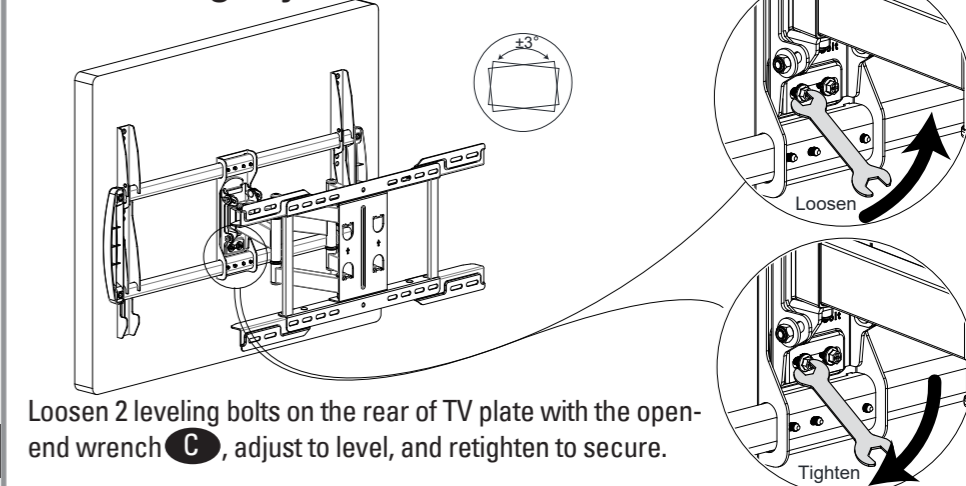
Remove the pre-assembled screws **P3** and save to use, then raise the safety locks.

**4-2****4-3**

Press the safety locks then fasten the removed screws **P3**.

**Adjustments****Tool-free Tilting Adjustment**

**⚠ If necessary**  
If TV keeps tilting down, pull TV to desired angle then fasten tilting nuts with open-end wrench.

**Adjustments****TV leveling adjustment (-3°/+3°)**

Loosen 2 leveling bolts on the rear of TV plate with the open-end wrench **C**, adjust to level, and retighten to secure.

**Product dimensions:**