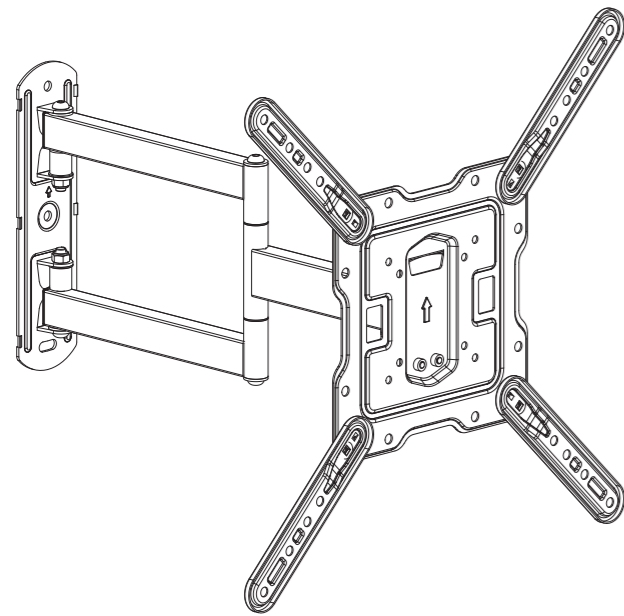


INSTALLATION INSTRUCTION



Velcro Cable Ties ×3



Bubble Level ×1



Max: 400x400mm/16x16"
Min: 75x75mm/3x3"

(DWD1079A-3-US1)

If you have any questions, please feel free to contact us via Amazon.

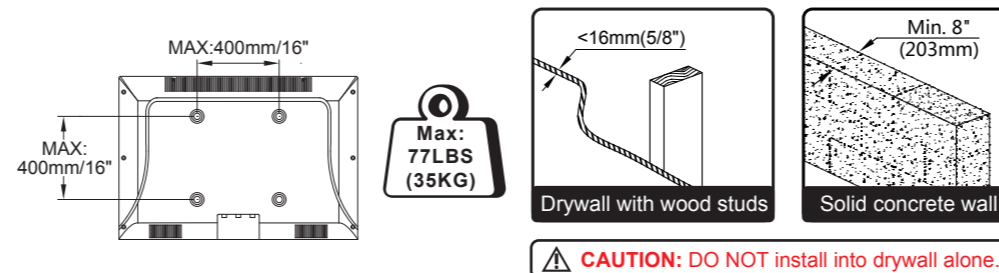
Safety Caution

Please read this instruction carefully before installation.
If you do not understand these instructions or have doubts about the safety of the installation, assembly or use of this product, please contact us.

- This product is designed for use in wood stud or solid concrete wall.
- **DO NOT install into drywall alone.**
- The wall must be capable of supporting five times the weight of the TV and mount combined.
- Incorrect installation may result in product damage or body injury.

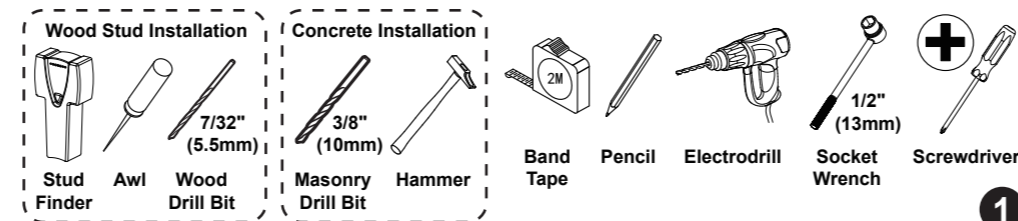
⚠ WARNING: This product contains small items that could be a choking hazard if swallowed. Before starting assembly, verify all parts are included and undamaged. For parts shortage or damage, please contact us.

Must Check Before Getting Started

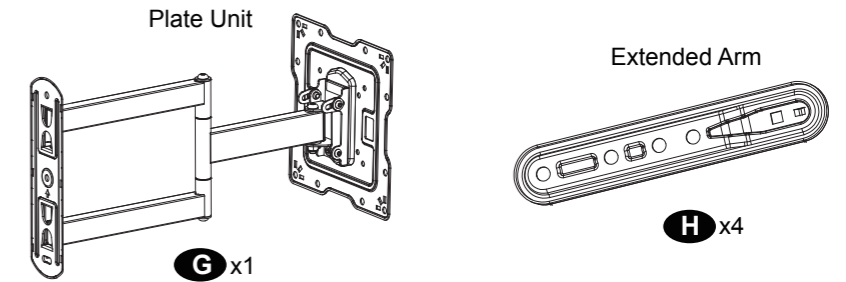


⚠ CAUTION: DO NOT install into drywall alone.

Installation Tools (Not Included)



Supplied Parts and Hardware



Hardware (Wall / Product)

Lag Bolt M8x65mm A x3	M8 Washer B x3	Wrench C x1	Bolt M6x12mm D x4	Flange Nut M6 E x4	M4 Allen Key F x1
---------------------------------	--------------------------	-----------------------	-----------------------------	------------------------------	-----------------------------

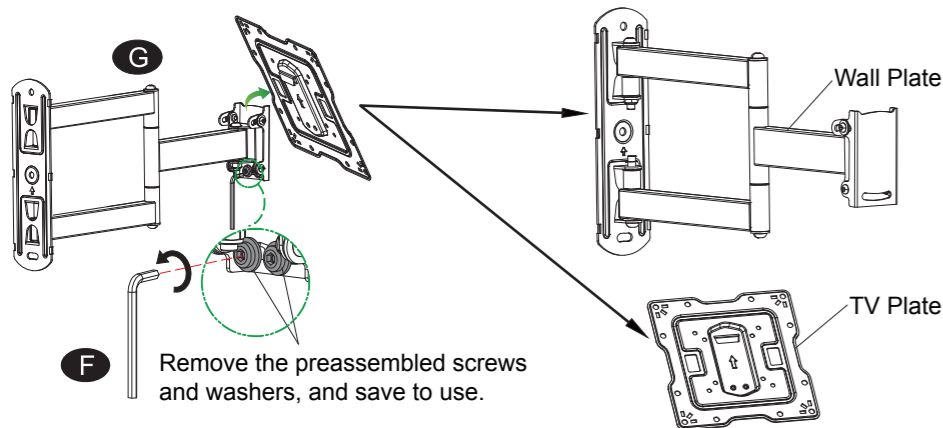
TV Screws / Spacers / Washers

Philips Screws M4 x 12mm M4 x 30mm MA x4	Philips Screws M6 x 15mm M6 x 30mm MB x4	Philips Screws M8 x 25mm M8 x 45mm MC x4	Spacers D8 x 10mm MD x8	Washers D6 ME x4	Spacers D8 x 5mm MF x8
---	---	---	-----------------------------------	----------------------------	----------------------------------

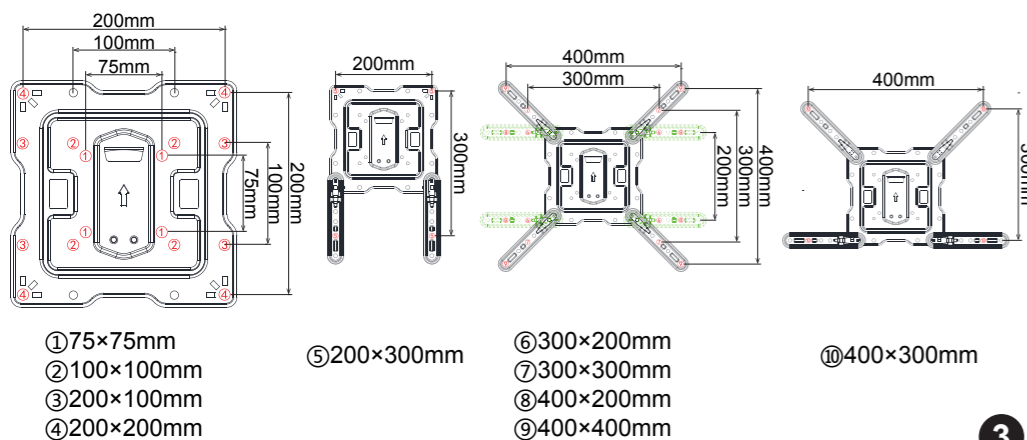
NOTE: Not all hardware included will be used.

STEP 1 Attach the TV Brackets

1-1 Disassemble Plate Unit into Two Pieces



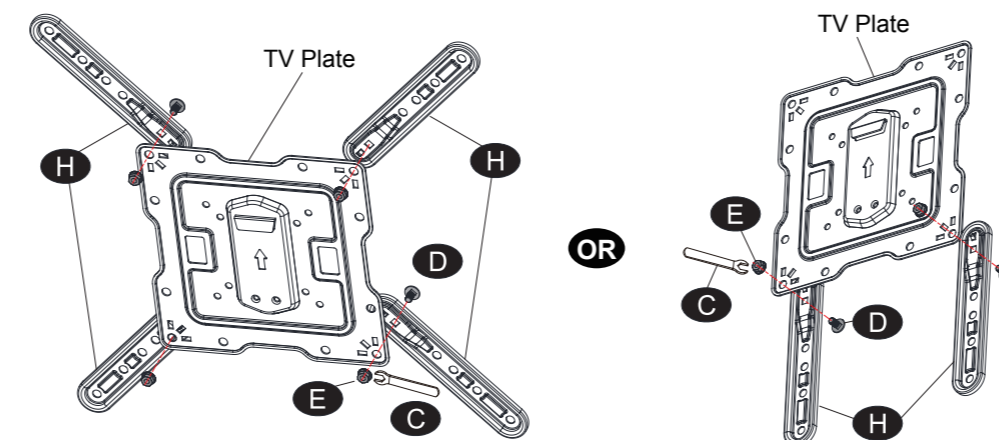
1-2 Choose Configuration



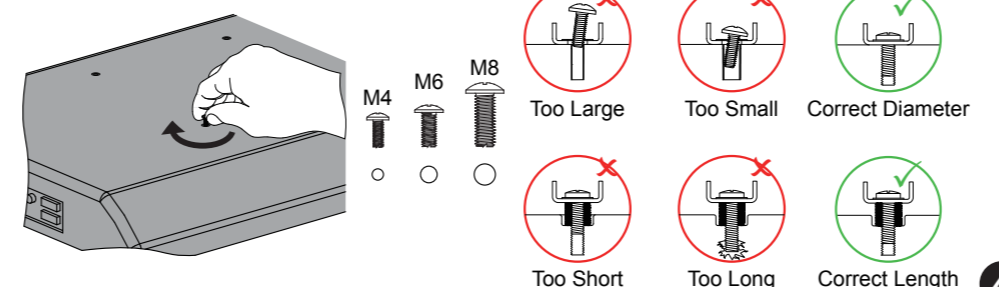
STEP 1 (Continued)

1-3 Extended Arms Assembly Example (For reference)

With a Wrench (C), use Bolt (D) and Flange Nuts (E) to attach the Extended Arms (H) to TV Plate.



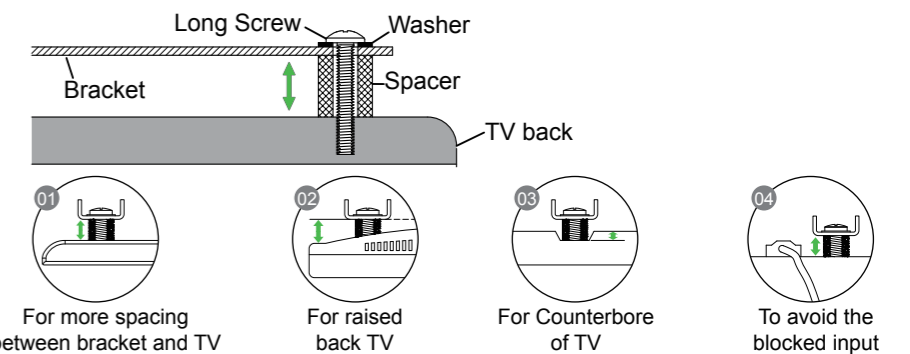
1-4 Select TV Screws



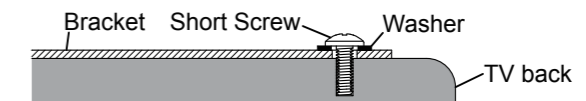
STEP 1 (Continued)

1-5 Need Spacer?

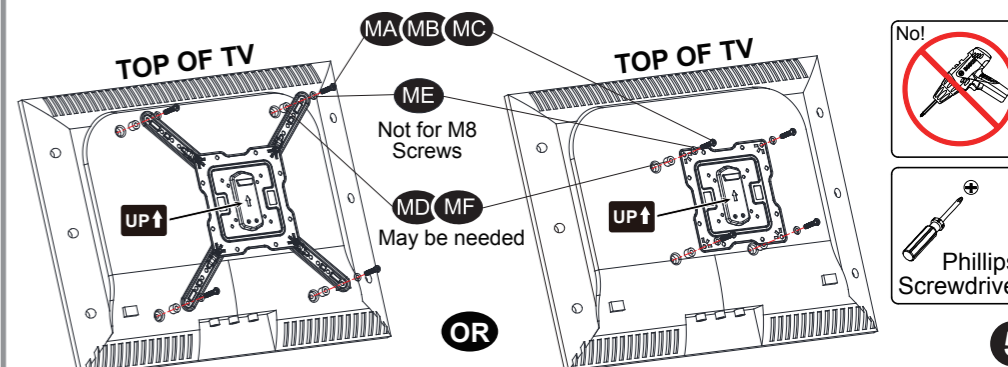
I Yes, choose the appropriate screws, washers, and spacers for your TV.



II No, just choose the screws, washers.



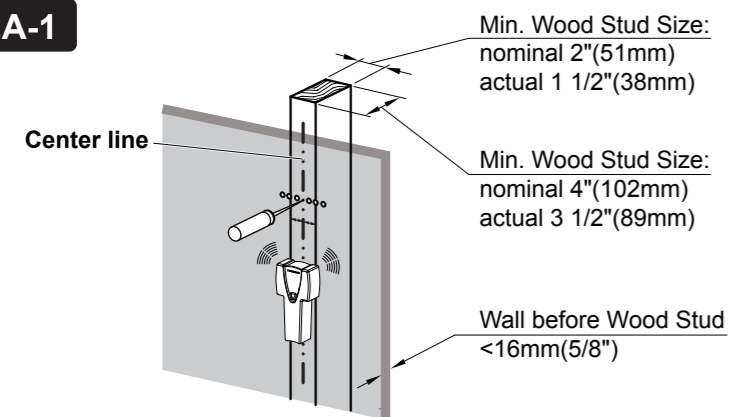
1-6 Attach the TV Brackets (For reference)



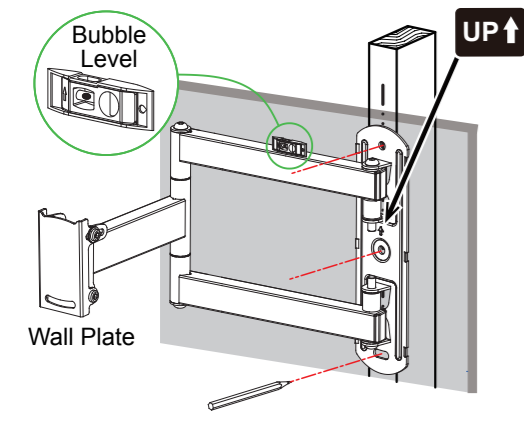
STEP 2 Attach Wall Plate to Wall

OPTION A: Solid Concrete Wall Installation

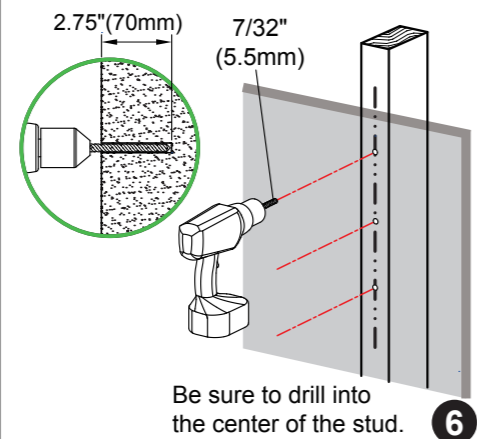
2A-1



2A-2

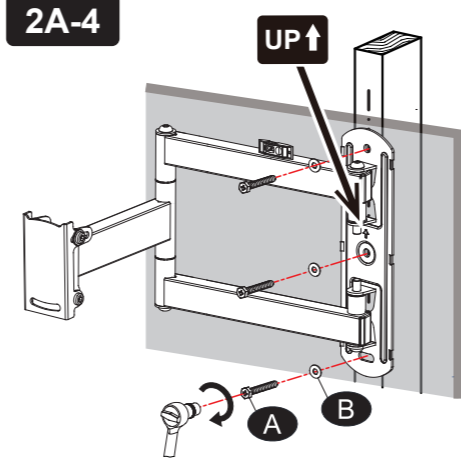


2A-3



STEP 2 (Continued)

2A-4



CAUTION: To avoid potential personal injury or property damage:
All 3 lag bolts **A** **MUST BE** firmly tightened to prevent unwanted movement of the wall plate assembly. Ensure the wall plate assembly is securely fastened to the wall before continuing on to the next step.

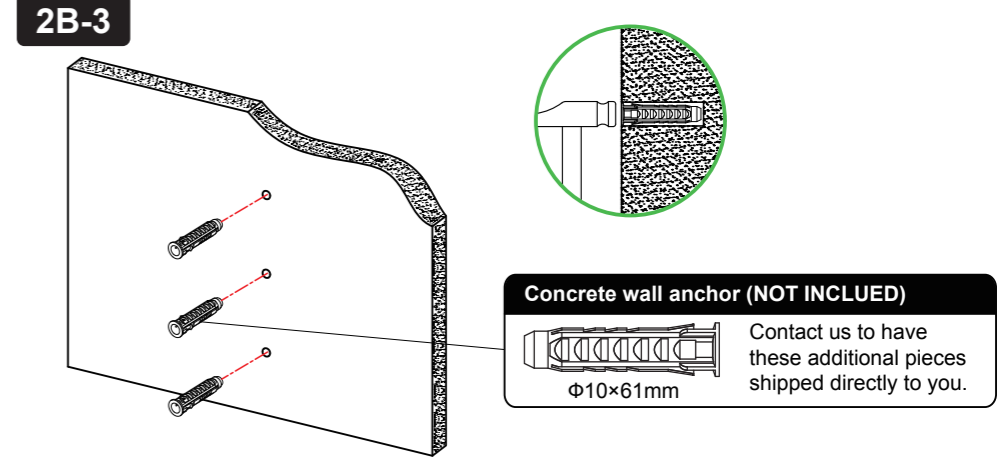
To prevent the TV falling down, **the Arrow Must Keep UP at this step!!**

No! Install wall plate using lag bolts and washer with Socket Wrench, NO Electrodrill.

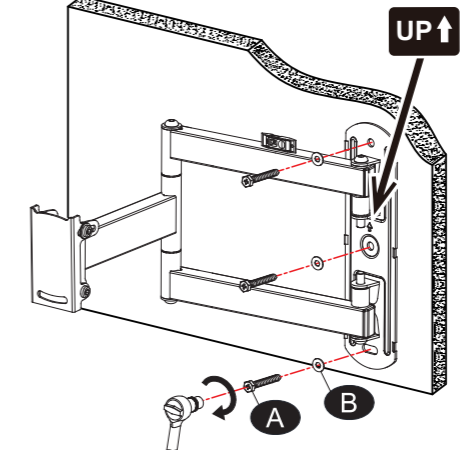
CAUTION: Do not use in drywall or wood.

STEP 2 (Continued)

2B-3



2B-4



CAUTION: To avoid potential personal injury or property damage:
All 3 lag bolts **A** **MUST BE** firmly tightened to prevent unwanted movement of the wall plate assembly. Ensure the wall plate assembly is securely fastened to the wall before continuing on to the next step.

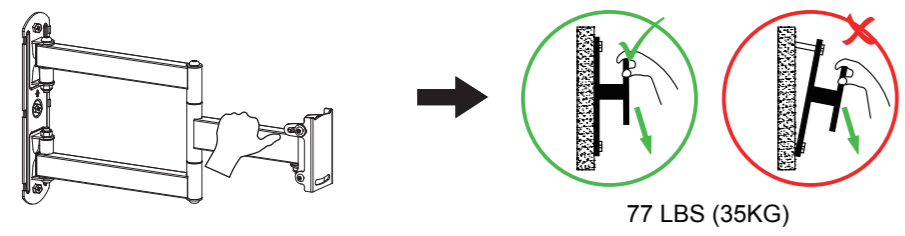
To prevent the TV falling down, **the Arrow Must Keep UP at this step!!**

No! Install wall plate using lag bolts, washer and anchor with Socket Wrench, NO Electrodrill.

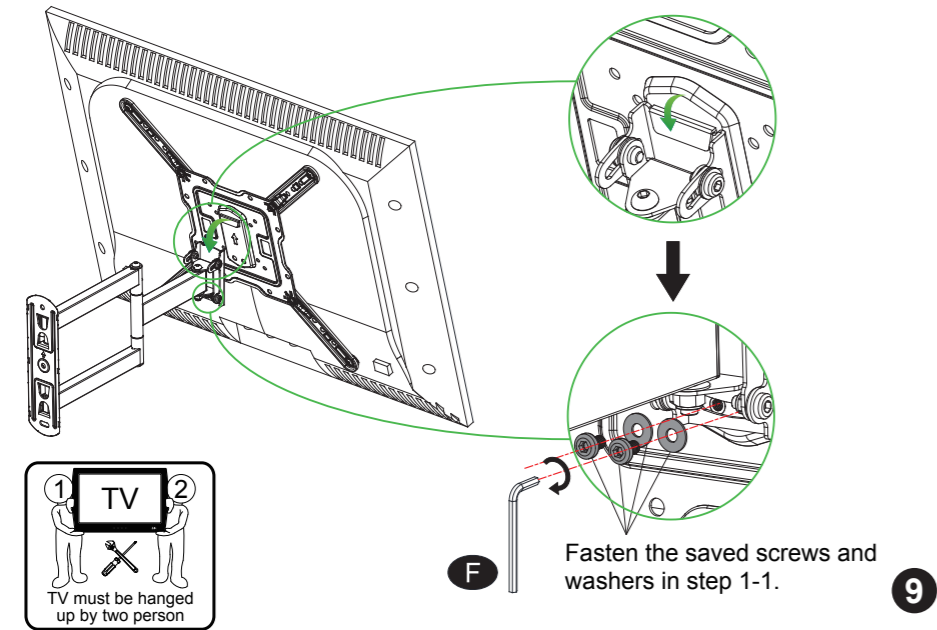
STEP 3 Hang and Secure TV to Wall Plate

3-1 Wall Plate Installation Integrity Test

Before hanging TV, please conduct "wall plate installation integrity test" first.



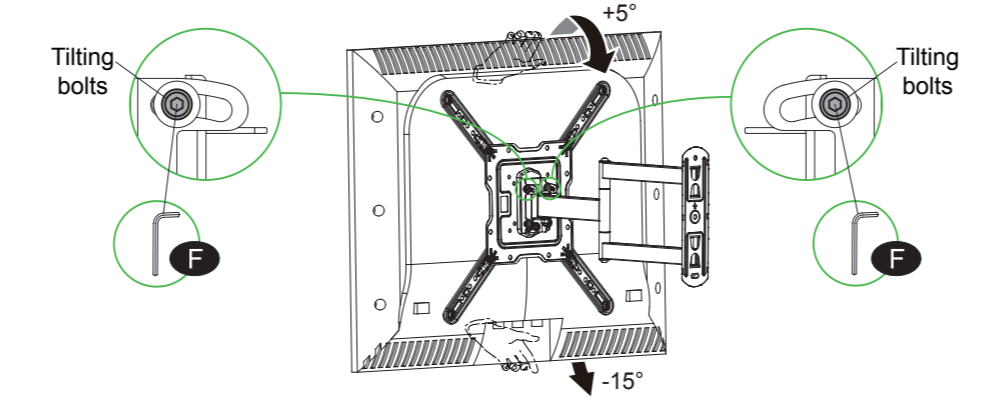
3-2 Hang and Secure TV to Wall Plate



STEP 4 Adjustments

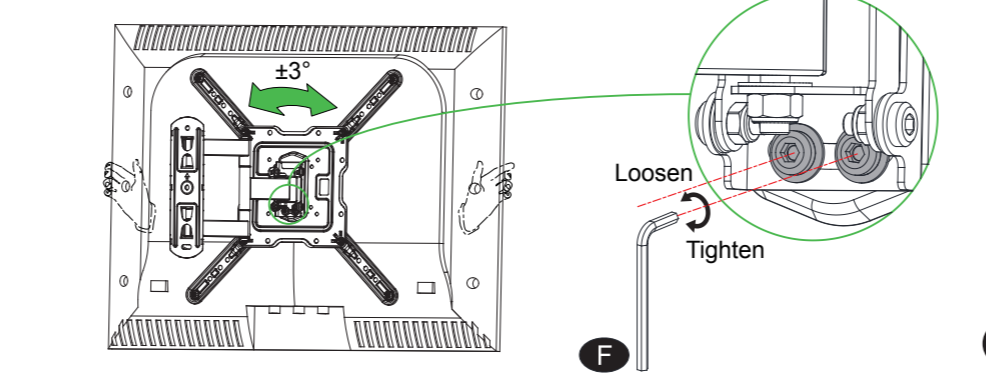
4-1 Tilting adjustment (+5°~-15°)

Pull TV to your desired angle then fasten 2 tilting bolts with Allen key **F**.



4-2 Leveling adjustment (±3°)

Loosen 2 leveling bolts on the rear of TV plate by maximum 2 turns, adjust to level, then retighten to secure.



Product Dimensions

