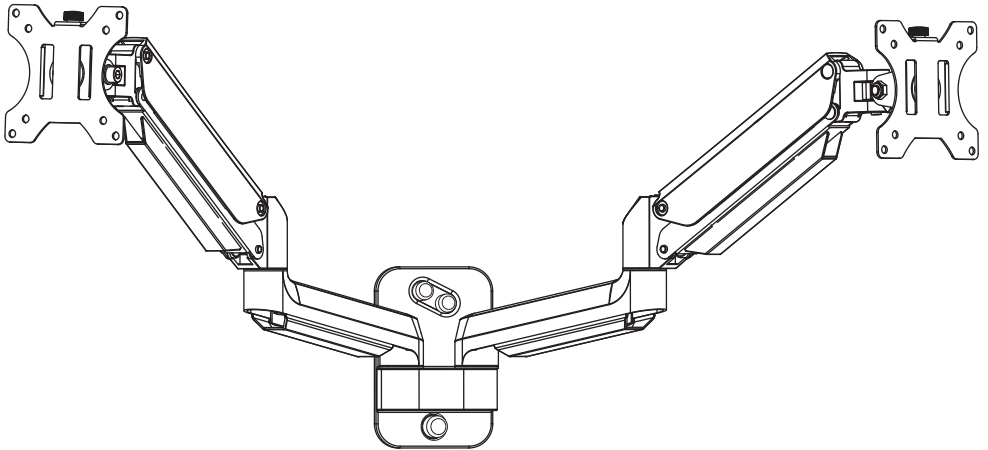


MOUNTUP

Polished Aluminium Dual Monitor Wall Mount Instruction Manual



MU2002

 75x75
100x100

 32"


(1.5~8kg)x2
(3.3~17.6lbs)x2

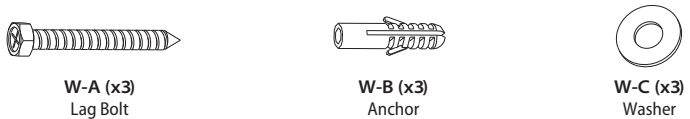
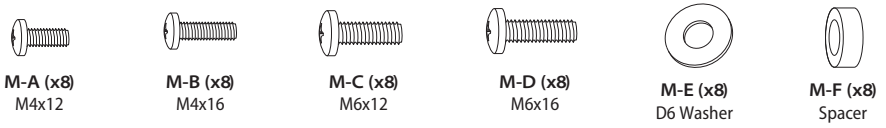
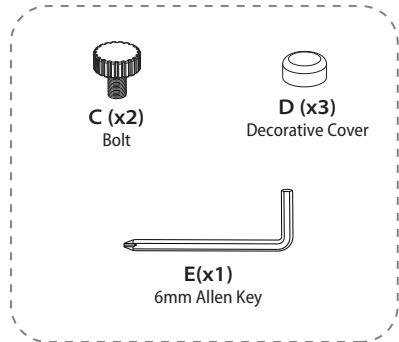
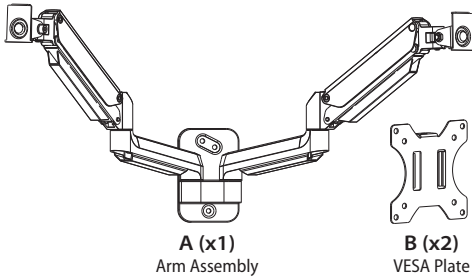
⚠ WARNING!

If you do not understand these instructions or have doubts about the safety of the installation, assembly or use of this product, please contact us.

Before starting assembly, verify all parts are included and undamaged. Improper installation may cause damage or serious injury. Do not use this product for any purpose that is not explicitly specified in this manual. Do not exceed weight capacity. We cannot be liable for damage or injury caused by improper mounting, incorrect assembly or inappropriate use.

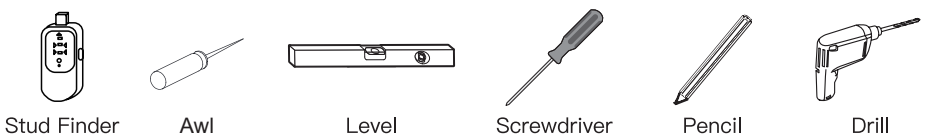
This product contains small items that could be a choking hazard if swallowed. NOT FOR CHILDREN UNDER 3 YEARS. ADULT SUPERVISION IS REQUIRED.

PACKAGE CONTENTS



NOTE: Not all hardware included will be used.

Installation Tools (Not Included)

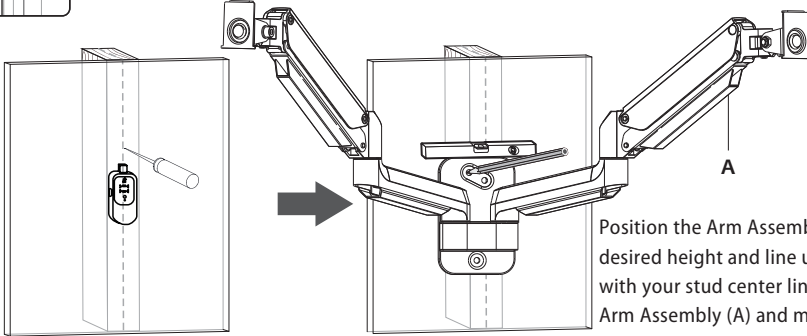


ASSEMBLY STEPS

STEP 1: Attach Arm Assembly to Wall

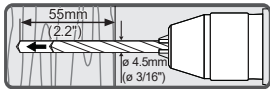


OPTION A: Wood Stud Installation

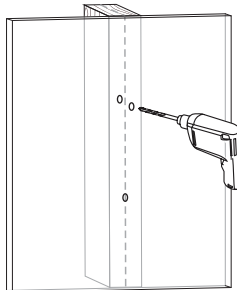


Locate your studs. Verify and mark the center of the stud by finding the stud edges using awl and stud finder.

Position the Arm Assembly (A) at your desired height and line up the holes with your stud center line. Level the Arm Assembly (A) and mark the pilot hole locations.



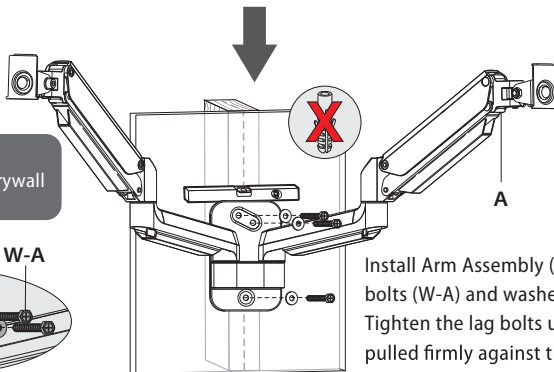
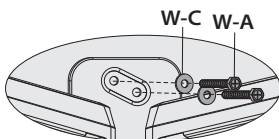
Note: Pilot holes should be drilled into a depth of 55mm (2.2")



Drill pilot holes using a $\text{\textcircled{3}}/16$ in. ($\text{\textcircled{4.5}}$ mm) diameter drill bit.

Caution:

Do not use anchor in drywall or wood!

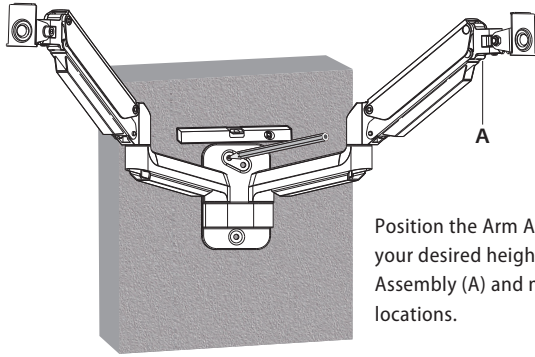


Install Arm Assembly (A) using lag bolts (W-A) and washers (W-C). Tighten the lag bolts until they are pulled firmly against the Arm Assembly (A).

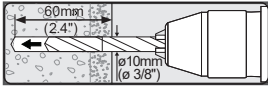
STEP 1: (Continued)



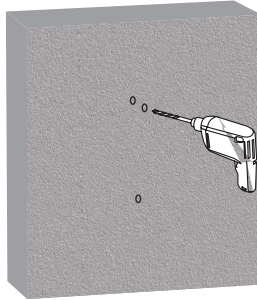
OPTION B: Solid Concrete Wall Installation



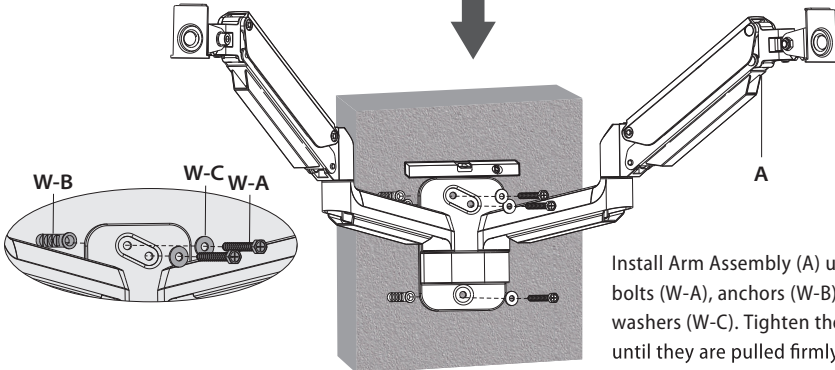
Position the Arm Assembly (A) at your desired height, level the Arm Assembly (A) and mark the pilot hole locations.



Note: Pilot holes should be drilled into a depth of 60mm (2.4")



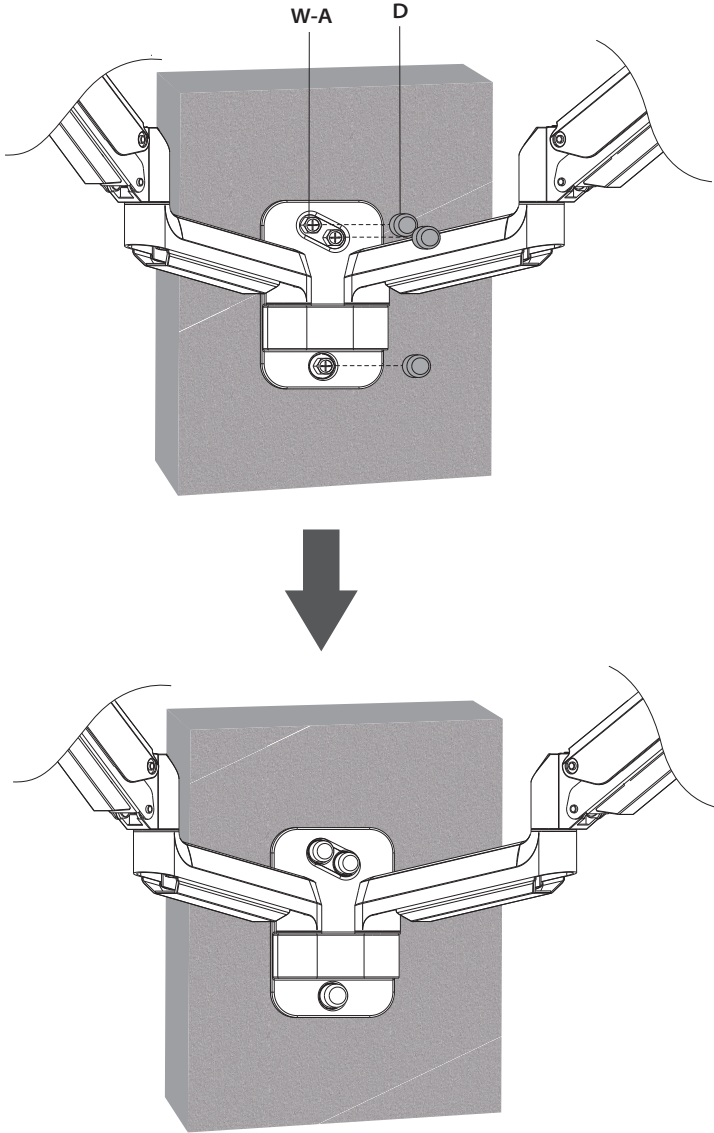
Drill pilot holes using a $\phi 3/8$ in. ($\phi 10$ mm) diameter drill bit.



Install Arm Assembly (A) using lag bolts (W-A), anchors (W-B) and washers (W-C). Tighten the lag bolts until they are pulled firmly against the Arm Assembly (A).

STEP 2: Attach Decorative Cover

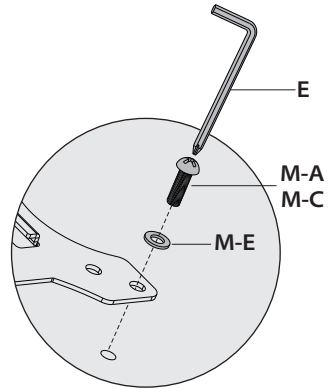
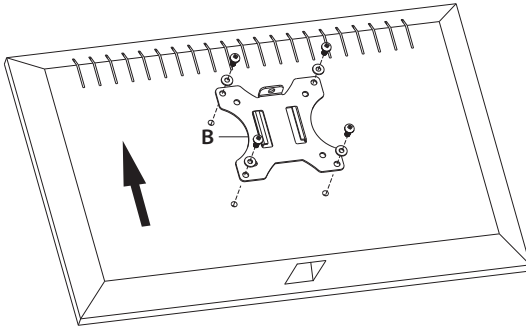
Attach Decorative Covers (D) to Lag Bolts (W-A).



STEP 3 : Attach Monitor

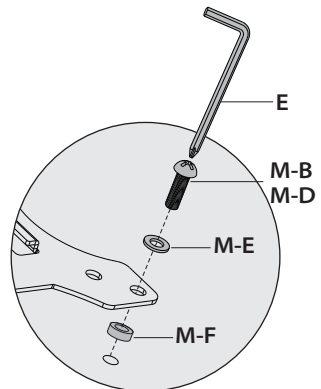
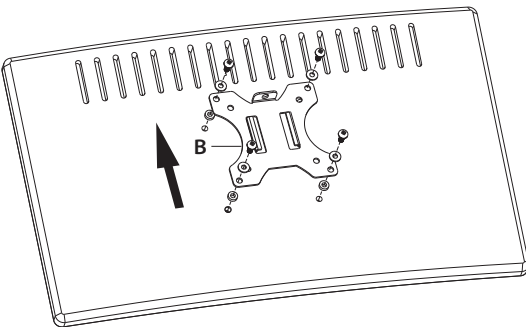
OPTION A: Flat Back Monitor

Attach the VESA plate (B) to back of monitor and secure with screws(M-A)or(M-C) with washers(M-E) using 6 mm Allen Key (E). Do not tighten the screws excessively or your monitor might be damaged.



OPTION B: Curved Back Monitor

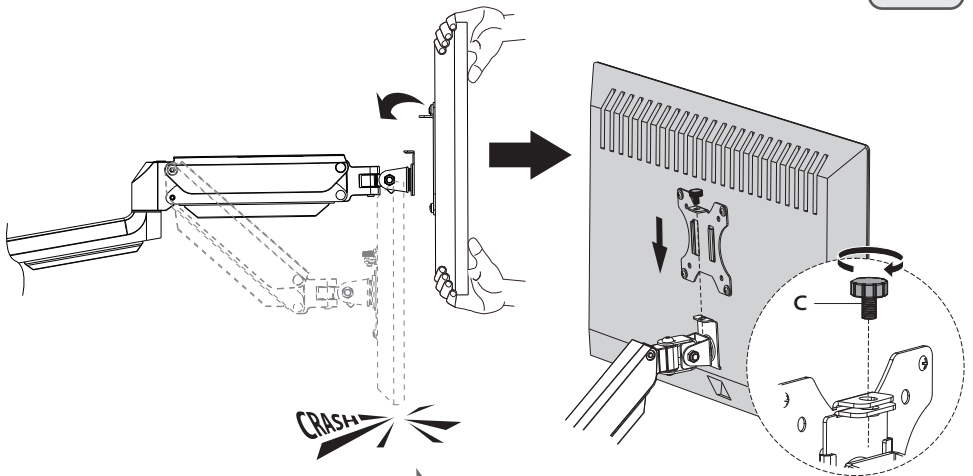
Attach the VESA plate (B) to back of monitor and secure with screws (M-B) or (M-D) with washers (M-E) and washers(M-F) using 6 mm Allen Key (E). Do not tighten the screws excessively or your monitor might be damaged.



NOTE: Hand tighten screws to avoid over tightening.

STEP 4: Hang Monitor

Slide the monitor onto the head of swivel arm, install the security bolt (C). Make sure the security bolt is installed before you rotate the monitor.

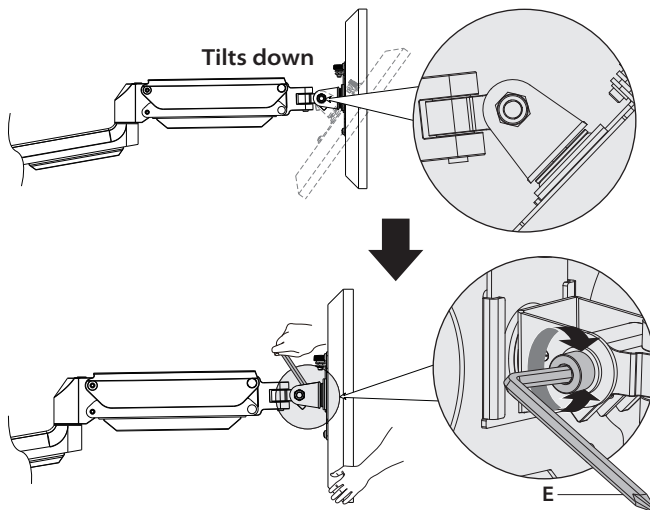


Important Notice:

The gas spring tension is pre-set to the weakest level by default, please hold your monitor by both hands and do not let go so soon after the VESA plate is attached to the swivel arm. It's suggested to loose hold of the monitor in a slow & gentle way while observing if the gas spring arm falls down greatly.



Refer to below illustrations to adjust tilting angle of your monitor.

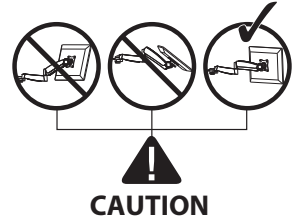
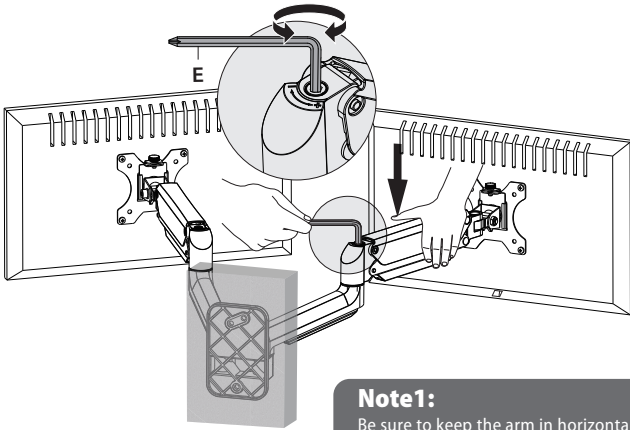


Note:

1. Loosen the tilting bolt.
2. Adjust monitor to your desired tilting angle.
3. Retighten the tilting bolt to fix the tilting angle.

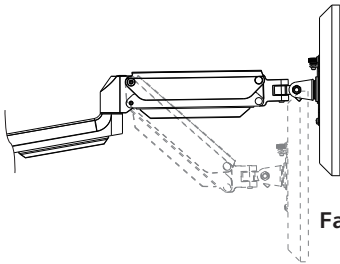
STEP 5: Adjust Tension

For proper functioning of this mount, depending on different weight of monitor you might need to adjust tension in upper arm using 6 mm allen key (E).



Note1:

Be sure to keep the arm in horizontal position during adjustment. Or else it would be difficult to adjust the mount or damage the mount.

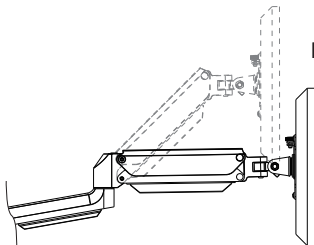


Falls down



After being attached to the arm, the monitor falls down and can not stay at the desired height by itself.

Turn counter-clockwise(“+”direction) to increase gas spring tension until the monitor can stay at the desired height by itself.



Rises up



After being attached to the arm, the monitor rises up and can not stay at the desired height by itself.

Turn clockwise(“-”direction) to reduce gas spring tension until the monitor can stay at the desired height by itself.

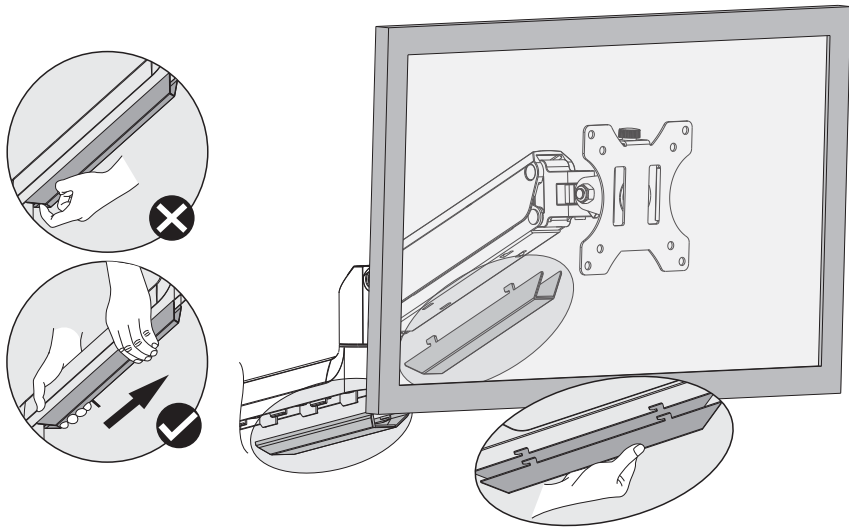
Note2:

As for how many circles the screw should be turned, the table below is for reference.

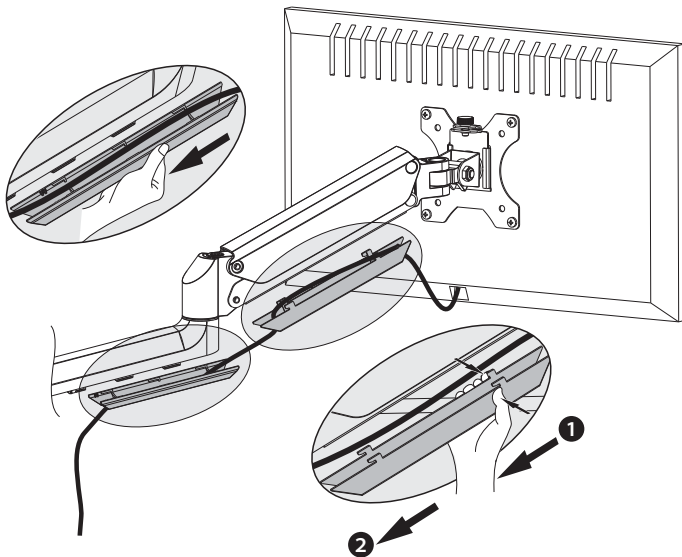
Monitor Weight	1.5kg	3kg	4kg	5kg	6kg	7kg	8kg
Circles (AT LEAST)	min	3	4	6	8	10	12

STEP 6: Cable Management

For both bottom and upper portion of the spring arm, just slide the cable cover up and away from the spring arm, do not need to take much effort to pull the ends of the cable cover away from the spring arm.



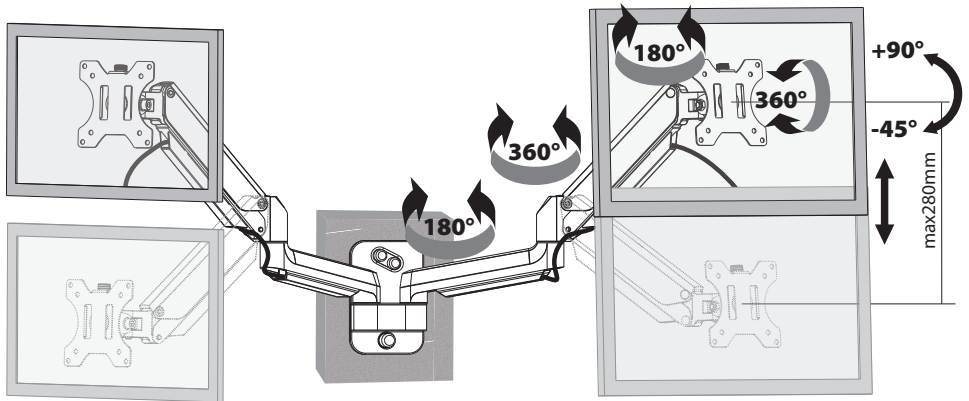
On the bottom portion of the spring arm, insert the cable and slide the cable cover down;
On the upper portion of the spring arm, insert the cable and press the tabs on the inside of the cable cover slightly inward and slide down to reattach the cable cover.



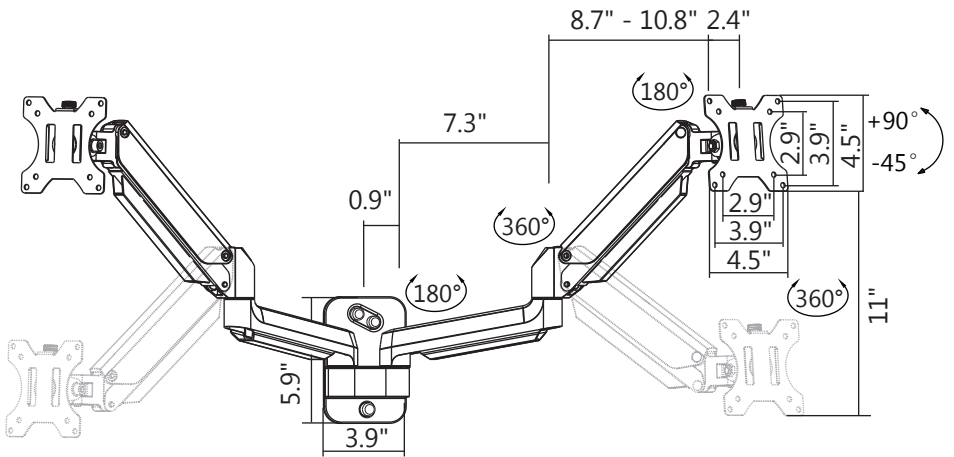
Adjust as Desired

Adjust monitor position and rotation.

Note: When tilted, if the monitor sags or does not stay, please fasten the tilting bolt on the mount until the monitor can be held at any angle as needed.



Product Dimensions





CAUTION AND MAINTENANCE:

- Never allow children to climb, stand, hang, or play on any part of monitor or stand.
- This product is intended for indoor use only. Using this product outdoors could lead to product failure and personal injury.
- Check that the bracket is secure and safe to use at regular intervals (at least every three months).

MOUNTUP

If you have any questions, please contact us.