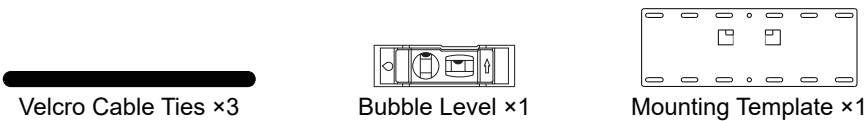
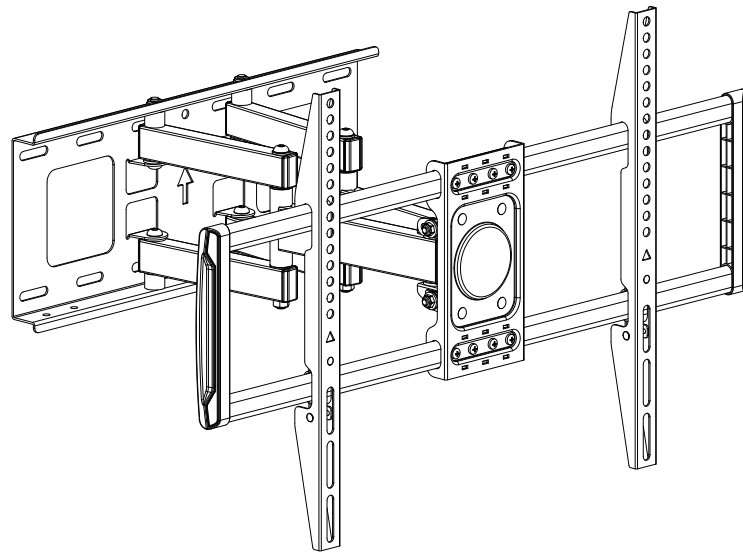


INSTALLATION INSTRUCTION



Max: 600x400mm/24x16"
Min: 150x100mm/6x4"

YZ2224-US1

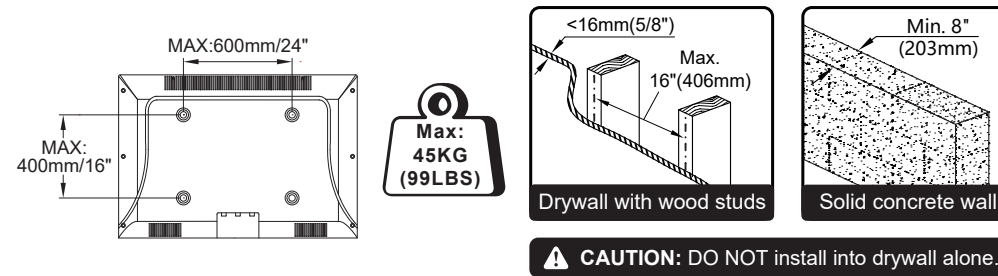
Safety Caution

Please read this instruction carefully before installation. If you do not understand these instructions or have doubts about the safety of the installation, assembly or use of this product, please contact us.

- This product is designed for use in wood stud or solid concrete wall.
- **DO NOT install into drywall alone.**
- The wall must be capable of supporting five times the weight of the TV and mount combined.
- Incorrect installation may result in product damage or body injury.

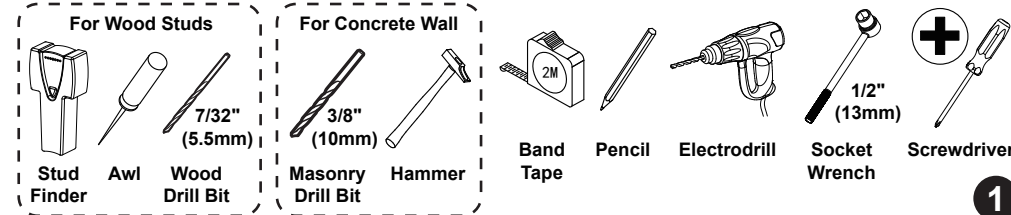
⚠ WARNING: This product contains small items that could be a choking hazard if swallowed. Before starting assembly, verify all parts are included and undamaged. If any parts are missing or damaged, do not return the damaged item to your dealer; please contact our customer service team. Never use damaged parts!

Must Check Before Getting Started

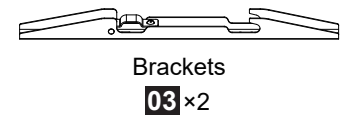
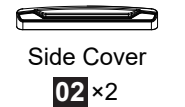
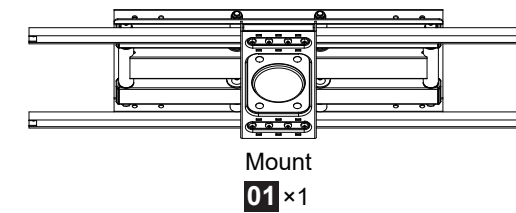


⚠ CAUTION: DO NOT install into drywall alone.

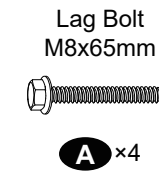
Extra Tools You Need (Not Supplied)



Supplied Parts and Hardware



Hardware



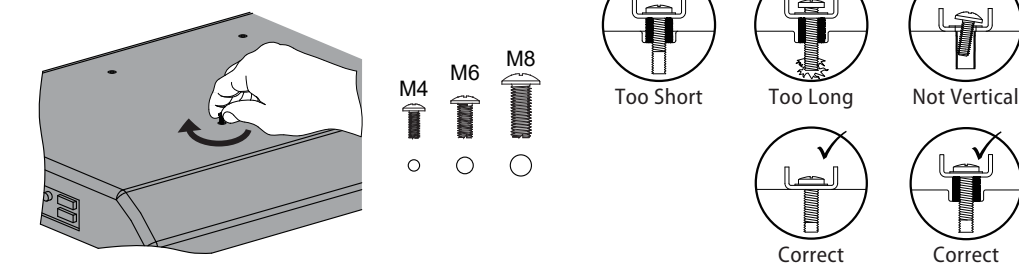
TV Screws / Spacers / Washers

Philips Screws M4 x 12mm M4 x 30mm	Philips Screws M6 x 15mm M6 x 30mm	Philips Screws M8 x 25mm M8 x 45mm	Spacers L10mm	Washers Ø6mm M4-5-6	Spacers L5mm

NOTE: Not all parts and hardware included will be used.

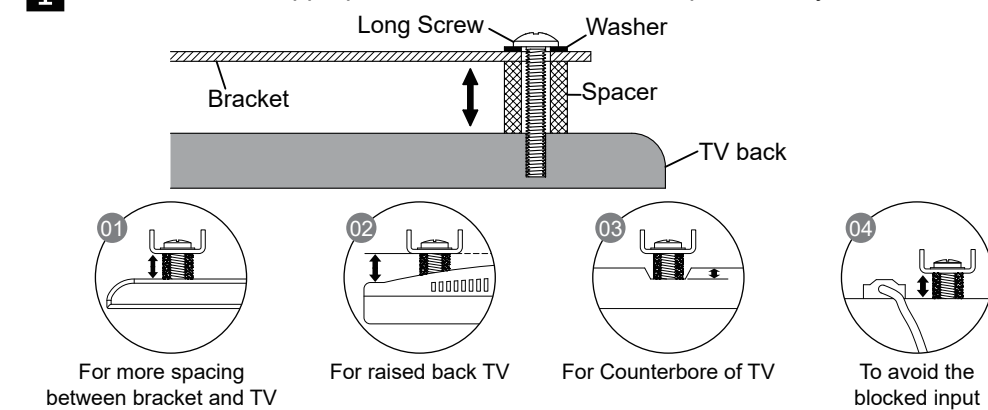
STEP 1 Attach the TV Brackets

1-1 Select TV Screws

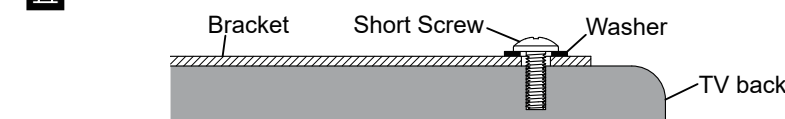


1-2 Need Spacer?

I Yes, choose the appropriate screws, washers, and spacers for your TV.

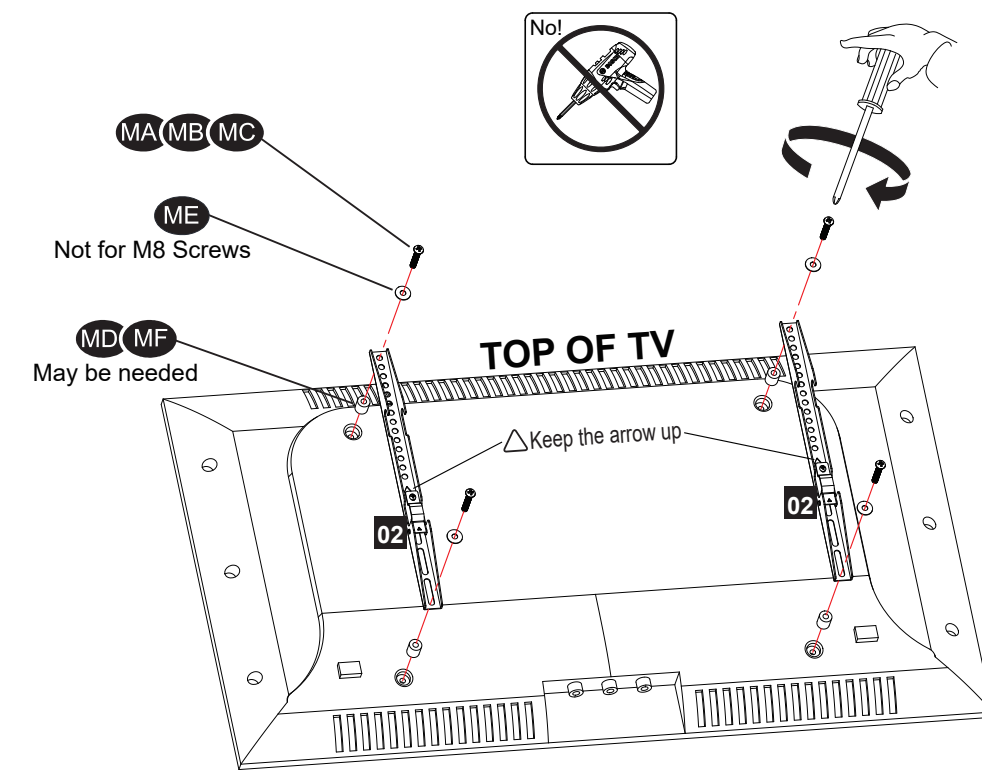


II No, just choose the screws, washers.

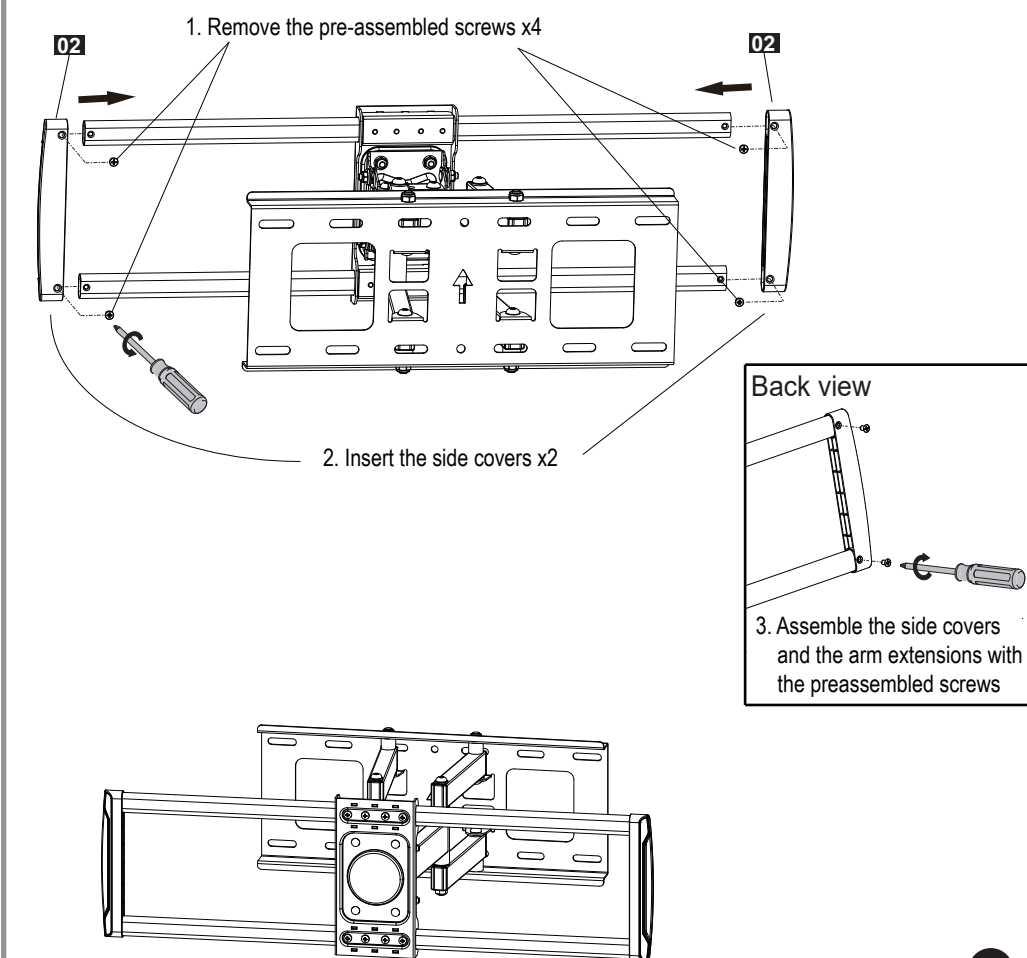


STEP 1 (Continued)

1-3 Attach the TV Brackets

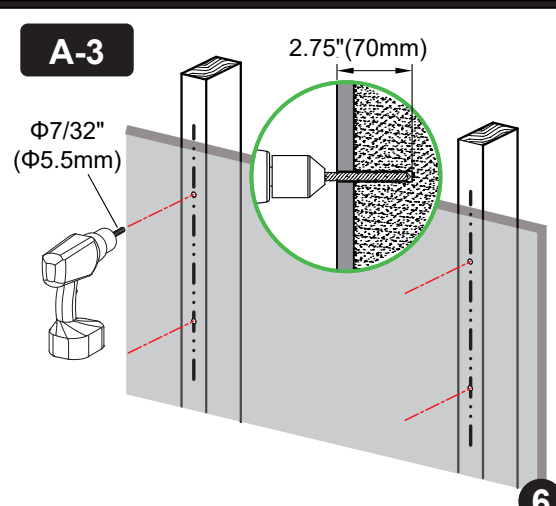
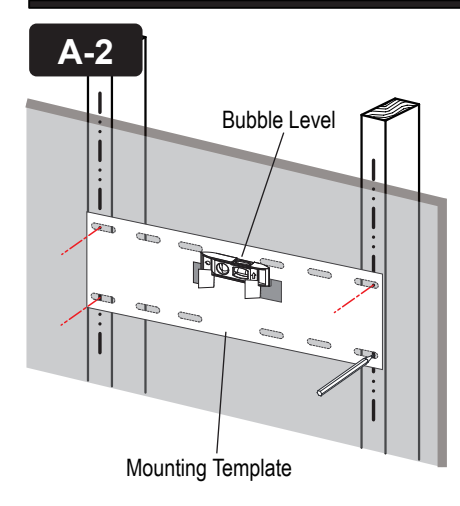
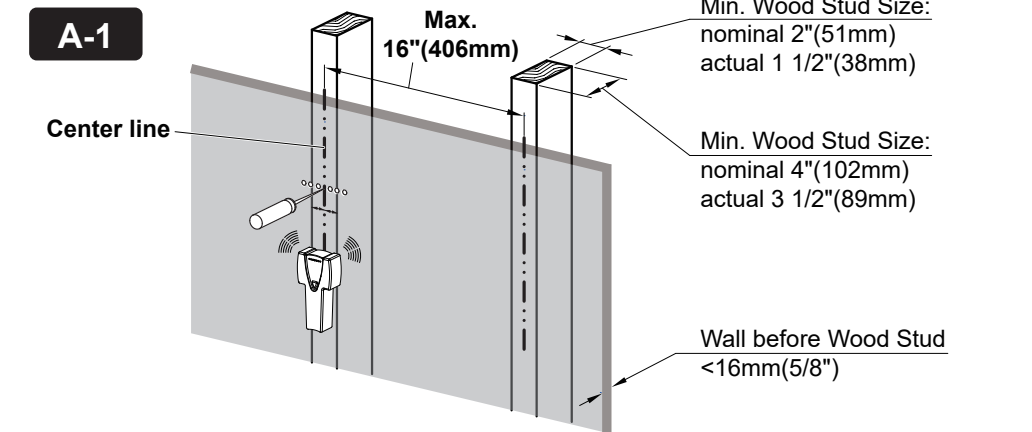


STEP 2 Assemble the Mount

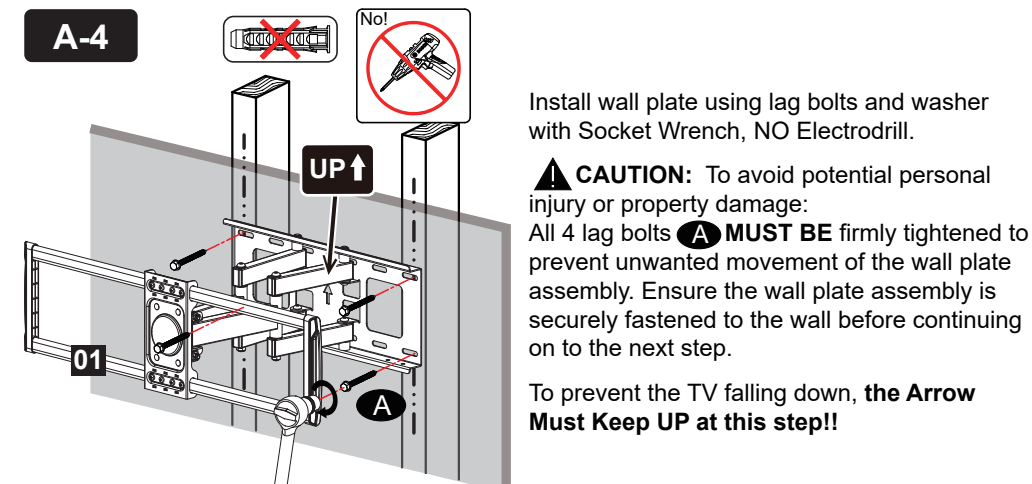


STEP 3 Attach the Mount to Wall

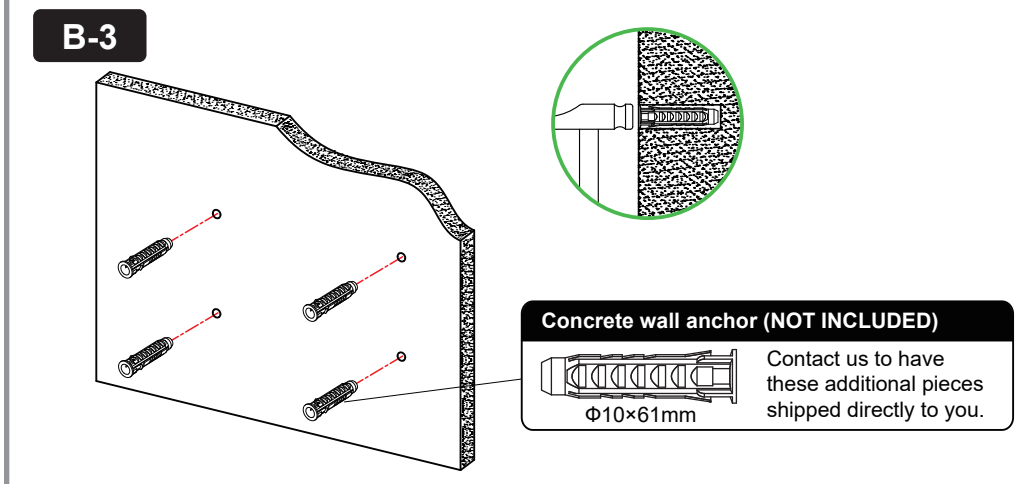
OPTION A: Wood Stud Installation



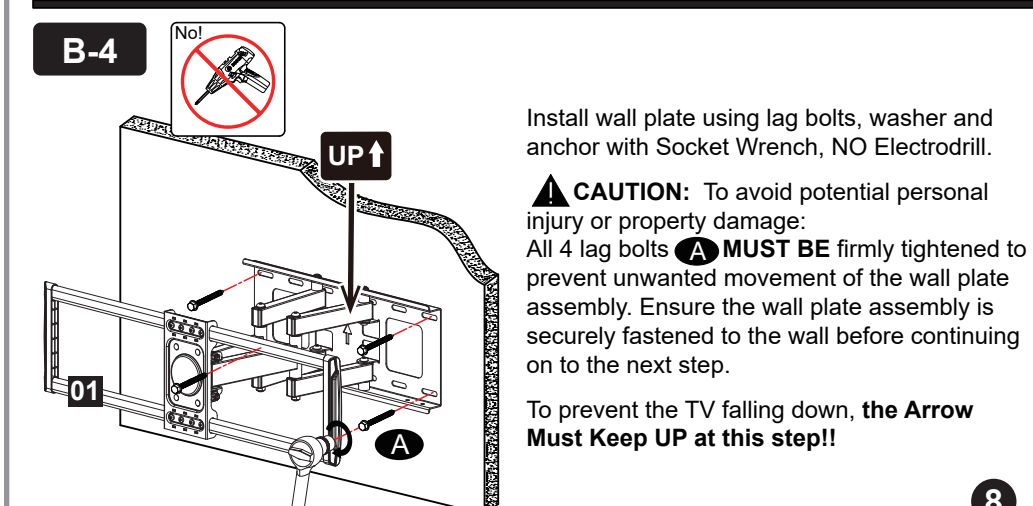
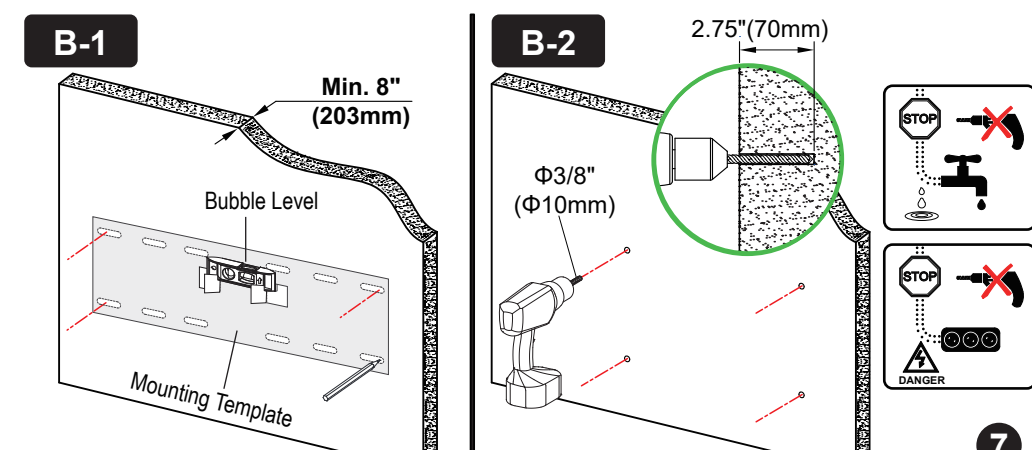
STEP 3 (Continued)



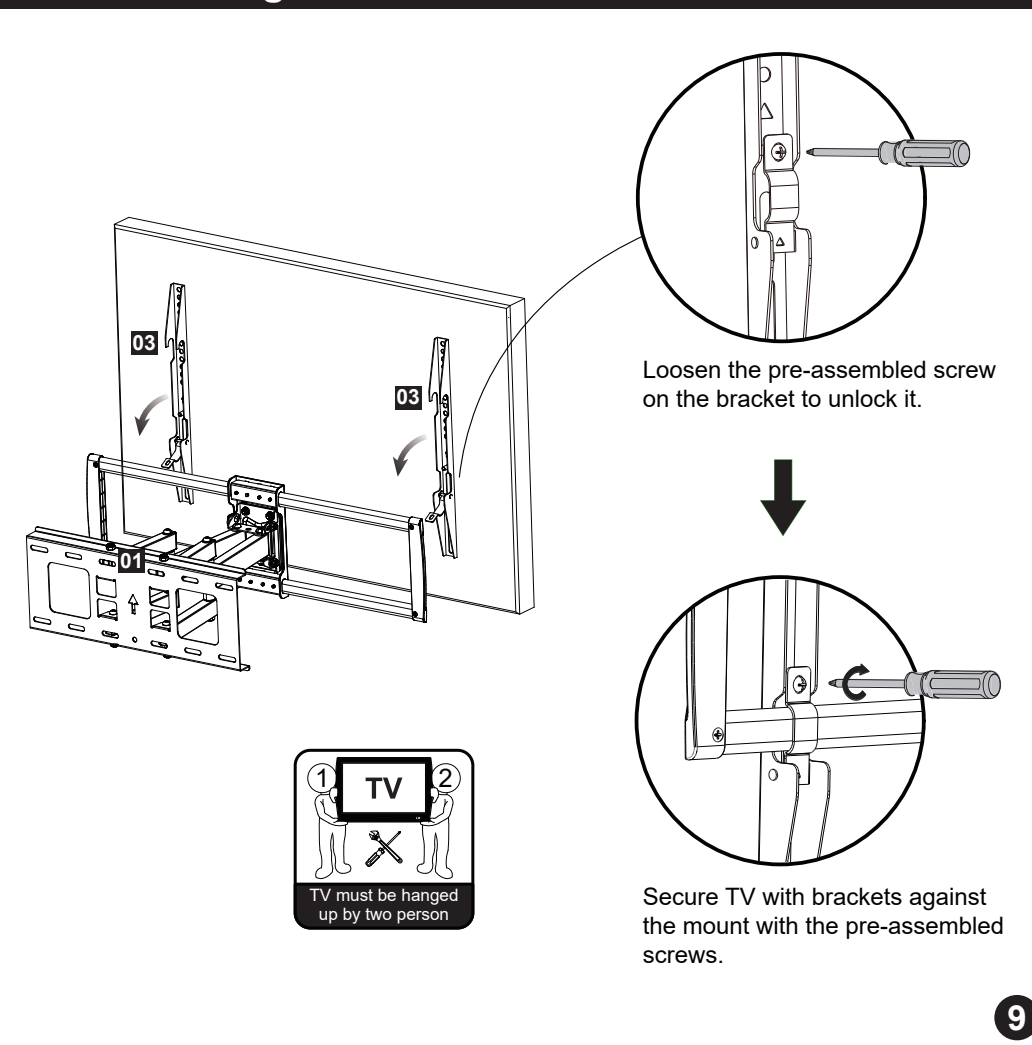
STEP 3 (Continued)



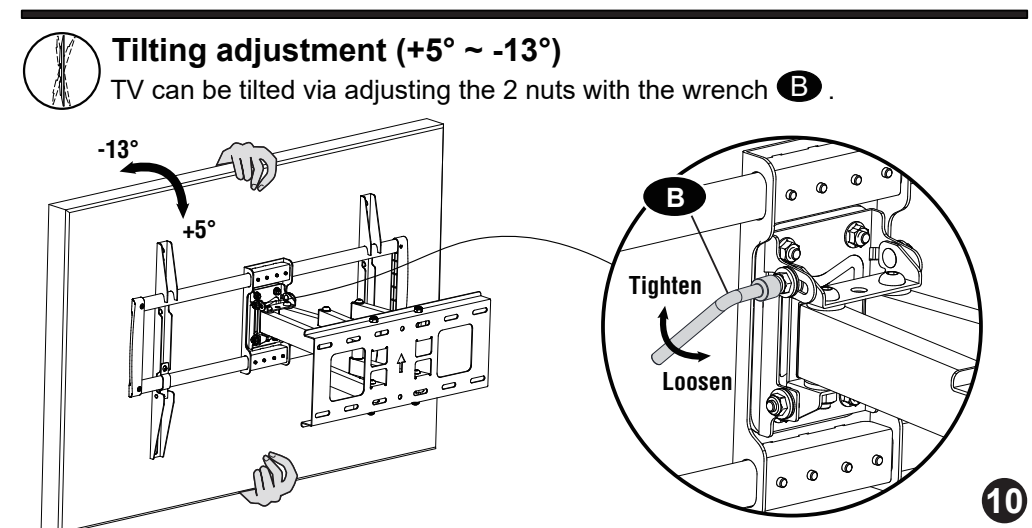
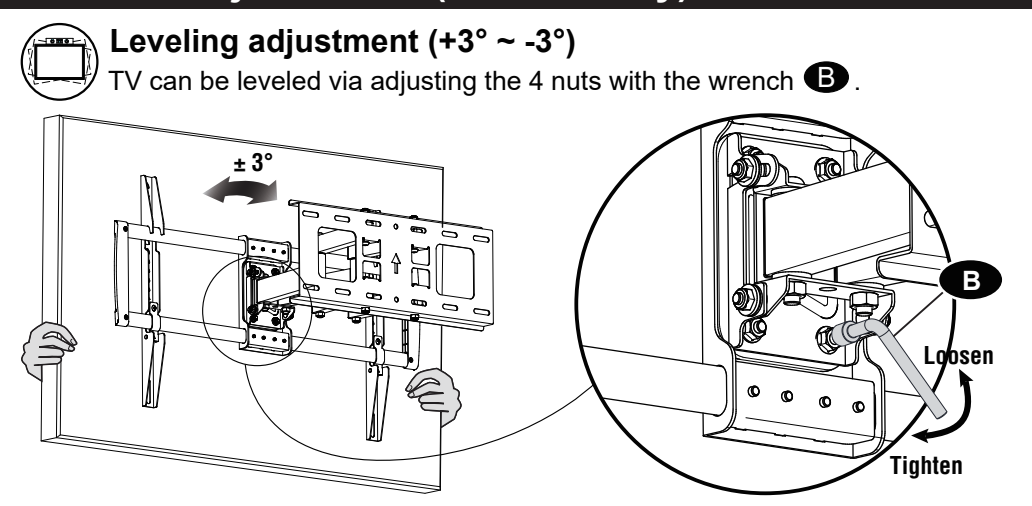
OPTION B: Solid Concrete Wall Installation



STEP 4 Hang TV with Brackets onto the Mount



STEP 5 Adjustments (If necessary)



Product Dimensions

