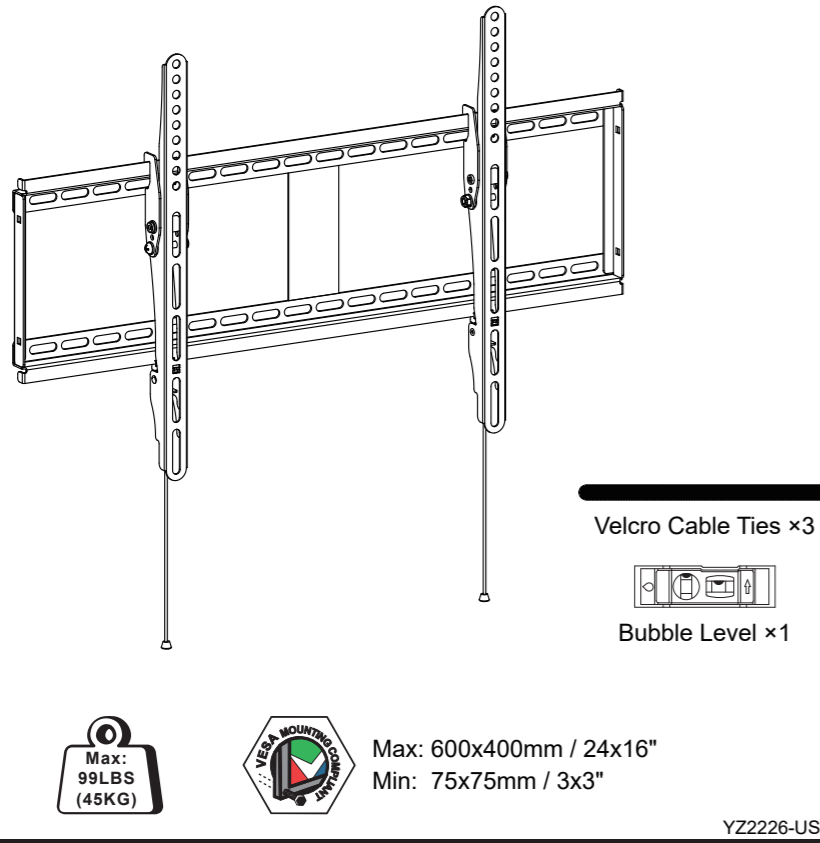


INSTALLATION INSTRUCTION



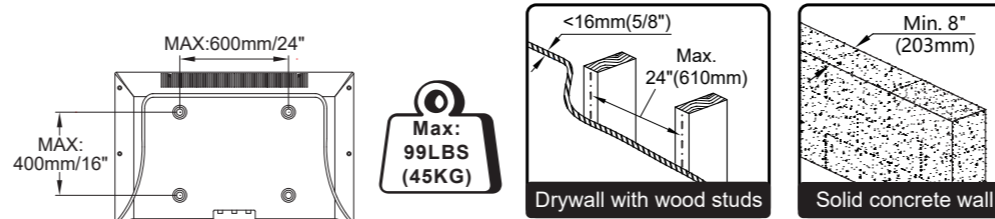
Safety Caution

Please read this instruction carefully before installation.
If you do not understand these instructions or have doubts about the safety of the installation, assembly or use of this product, please contact us.

- This product is designed for use in wood stud or solid concrete wall.
- **DO NOT install into drywall alone.**
- The wall must be capable of supporting five times the weight of the TV and mount combined.
- Incorrect installation may result in product damage or body injury.

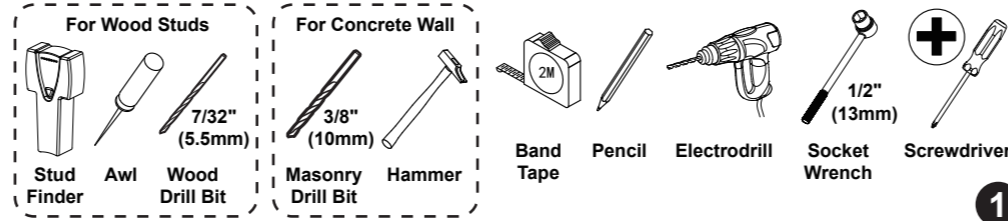
⚠ WARNING: This product contains small items that could be a choking hazard if swallowed.
Before starting assembly, verify all parts are included and undamaged. If any parts are missing or damaged, do not return the damaged item to your dealer; please contact our customer service team. Never use damaged parts!

Must Check Before Getting Started

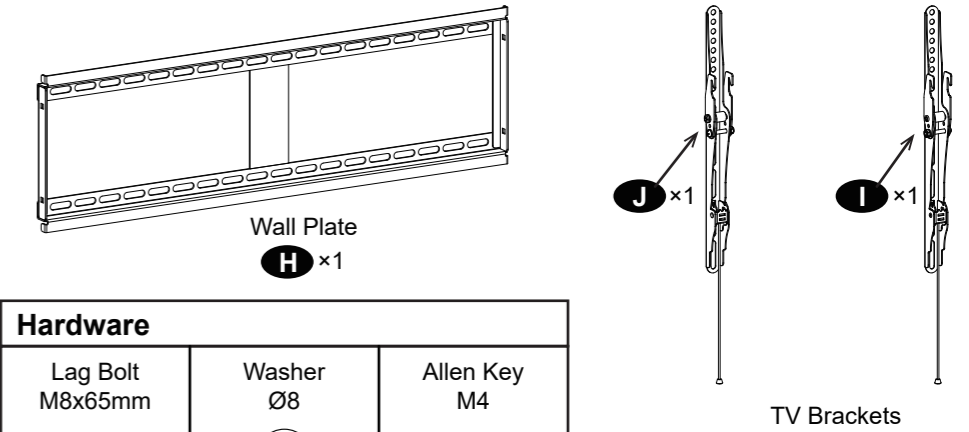


⚠ CAUTION: DO NOT install into drywall alone.

Extra Tools You Need (Not Supplied)



Supplied Parts and Hardware

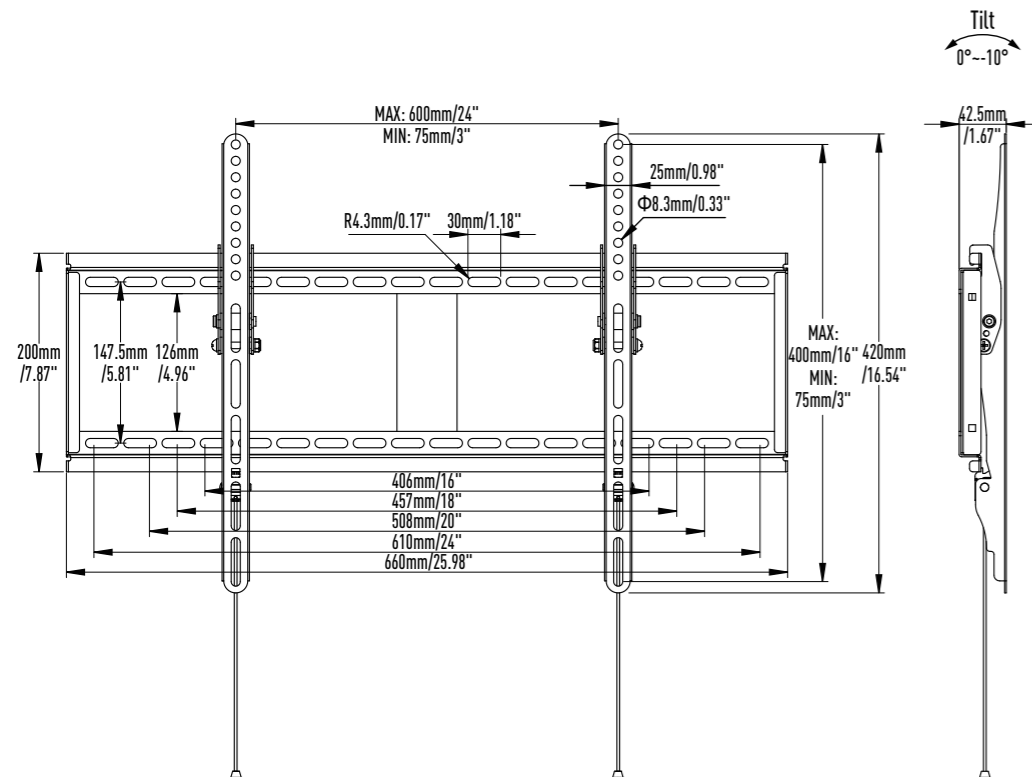


Hardware		
Lag Bolt M8x65mm A x4	Washer Ø8 B x4	Allen Key M4 C x1

TV Screws / Spacers / Washers					
Philips Screws M4 x 12mm / M4 x 30mm MA x4	Philips Screws M6 x 15mm / M6 x 30mm MB x4	Philips Screws M8 x 25mm / M8 x 45mm MC x4	Spacers L10mm MD x8	Washers Ø6mm M4-5-6 ME x4	Spacers L5mm MF x8

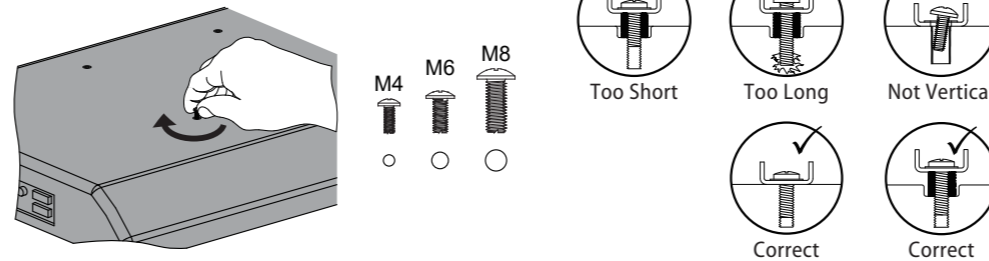
NOTE: Not all parts and hardware included will be used.

Product Dimensions



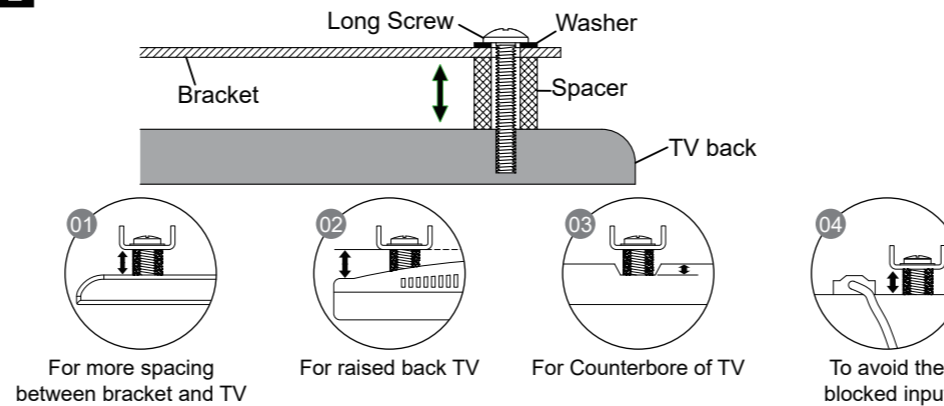
STEP 1 Attach the TV Brackets

1-1 Select TV Screws

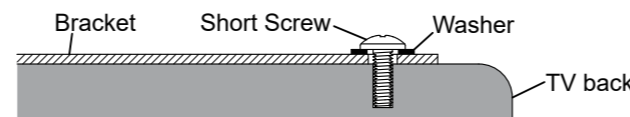


1-2 Need Spacer?

I Yes, choose the appropriate screws, washers, and spacers for your TV.

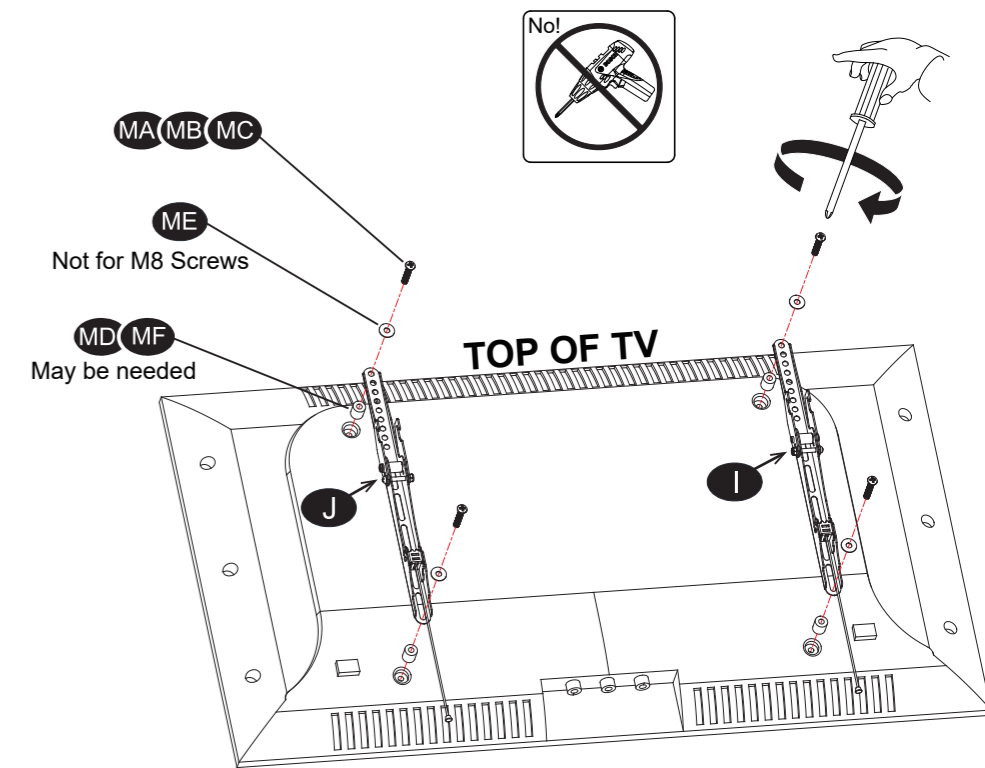


II No, just choose the screws, washers.



STEP 1 (Continued)

1-3 Attach the TV Brackets



STEP 2 Attach Wall Plate to Wall

OPTION A: Wood Stud Installation

A-1

Center line

24" (610mm) / 16" (406mm)

Min. Wood Stud Size: nominal 2" (51mm) actual 1 1/2" (38mm)

Min. Wood Stud Size: nominal 4" (102mm) actual 3 1/2" (89mm)

Wall before Wood Stud <16mm (5/8")

A-2

Bubble Level

Wall plate

A-3

7/32" (5.5mm)

2.75" (70mm)

Be sure to drill into the center of the stud.

STEP 2 (Continued)

A-4

CAUTION: To avoid potential personal injury or property damage: All 4 lag bolts **A** **MUST BE** firmly tightened to prevent unwanted movement of the wall plate assembly. Ensure the wall plate assembly is securely fastened to the wall before continuing on to the next step.

No! Install wall plate using lag bolts and washer with Socket Wrench, NO Electrodrill.

CAUTION: Do not use in drywall or wood.

STEP 2 (Continued)

B-3

Concrete wall anchor (NOT INCLUDED)

Φ10×61mm

Contact us to have these additional pieces shipped directly to you.

OPTION B: Solid Concrete Wall Installation

B-1

Bubble Level

Min. 8" (203mm)

Wall plate

B-2

2.75" (70mm)

3/8" (10mm)

STOP

DANGER

B-4

CAUTION: To avoid potential personal injury or property damage: All 4 lag bolts **A** **MUST BE** firmly tightened to prevent unwanted movement of the wall plate assembly. Ensure the wall plate assembly is securely fastened to the wall before continuing on to the next step.

No! Install wall plate using lag bolts, washer and anchor with Socket Wrench, NO Electrodrill.

STEP 3 Adjustments

Tilting adjustment (-10°~0°)

Pull brackets to your desired angle then fasten 2 tilting bolts with Allen Key (G).

0°

-10°

Tighten

Loosen

Option: To keep TV in vertical position, please use two M4 screws **MA** to insert the holes on two brackets respectively.

STEP 4 Hang and Secure TV to Wall Plate

4-1 Wall Plate Installation Integrity Test

Before hanging TV, please conduct "wall plate installation integrity test" firstly.

99 LBS (45KG)

4-2 Hang and Secure TV to Wall Plate

Hang on top of Wall Plate

Lock to the bottom of the Wall Plate

TV must be hung up by two person

Take down the TV from the Mount (If necessary)

Pull down the straps

Push it back to restore default settings before re-hanging back.

TV must be hung up by two person