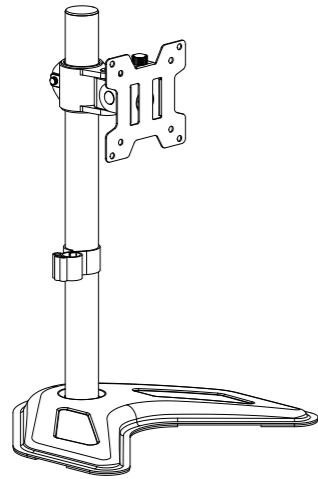


# INSTALLATION INSTRUCTION



Max:  
17.6LBS  
(8KG)



Max:100x100mm/4x4"  
Min:75x75mm /3x3"

BA-0

If you have any questions, please feel free to contact us via Amazon.

### Warm Tips

You could also refer to the Video Guide about installation on our product page.

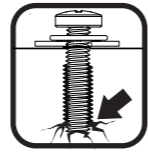
## Safety Caution

Please read this instruction carefully before installation. If you do not understand these instructions or have questions about the safety of the installation, assembly or use of this product, please contact us via Amazon.

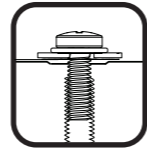
**WARNING:** This product contains small items that could be a choking hazard if swallowed. Before starting assembly, verify all parts are included and undamaged. For parts shortage or damage, please contact us.

## Before Starting Assembly

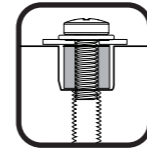
**!** When attaching Plate to monitor, please choose correct screw, be careful not to over tighten screws and be sure that screws do not bottom out in the mounting holes.



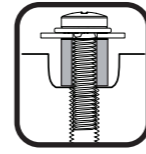
Too Long



Correct



Too Short



Correct

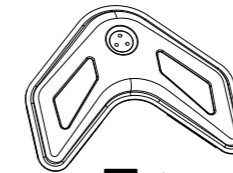


Please don't use any drills to attach monitor.

1

## Hardware Included

Base



01 x1

Middle Head



02 x1

VESA Plate



04 x1

Pole



03 x1

Round Cable Clip



05 x1

4mm Allen key








06 x1

5mm Allen key



07 x1

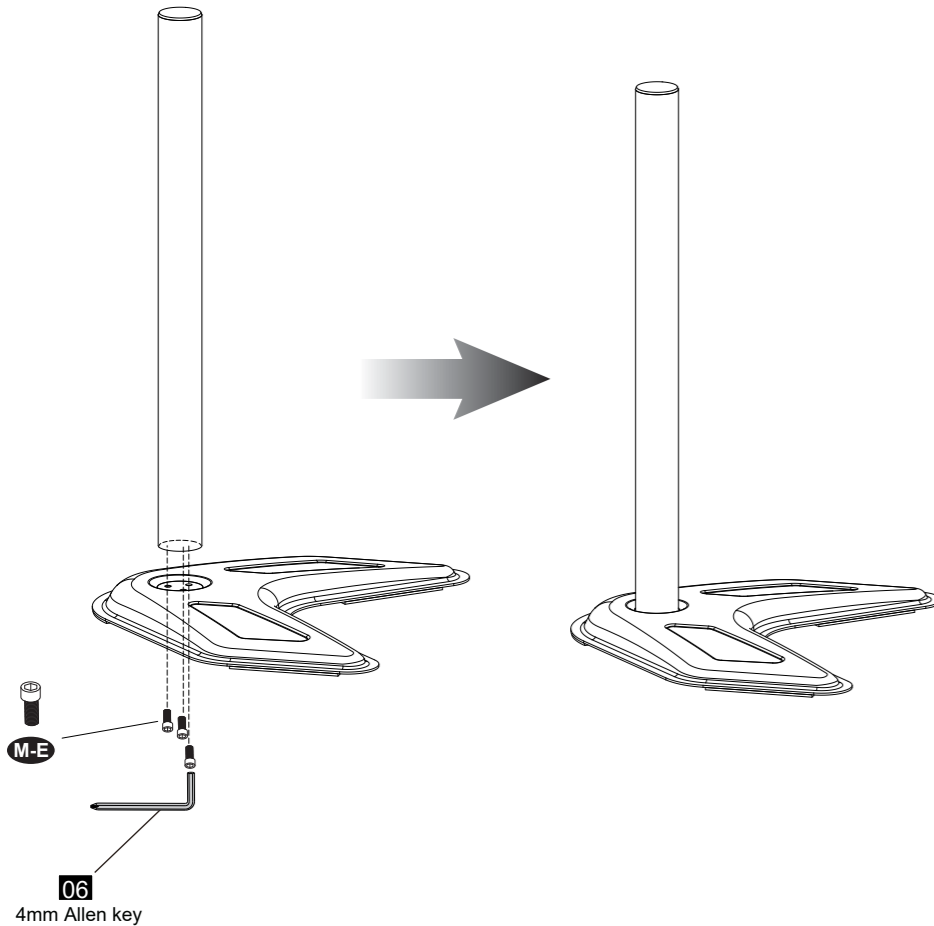
### Hardware Kit

Philips Screws	Philips Screws	Spacers	Security Screw	Bolts
				
M4 x 12mm x4	M4 x 30mm x4	L10mm x8	M5 x 12mm x1	M5 x 12mm x3
M-A	M-B	M-C	M-D	M-E

2

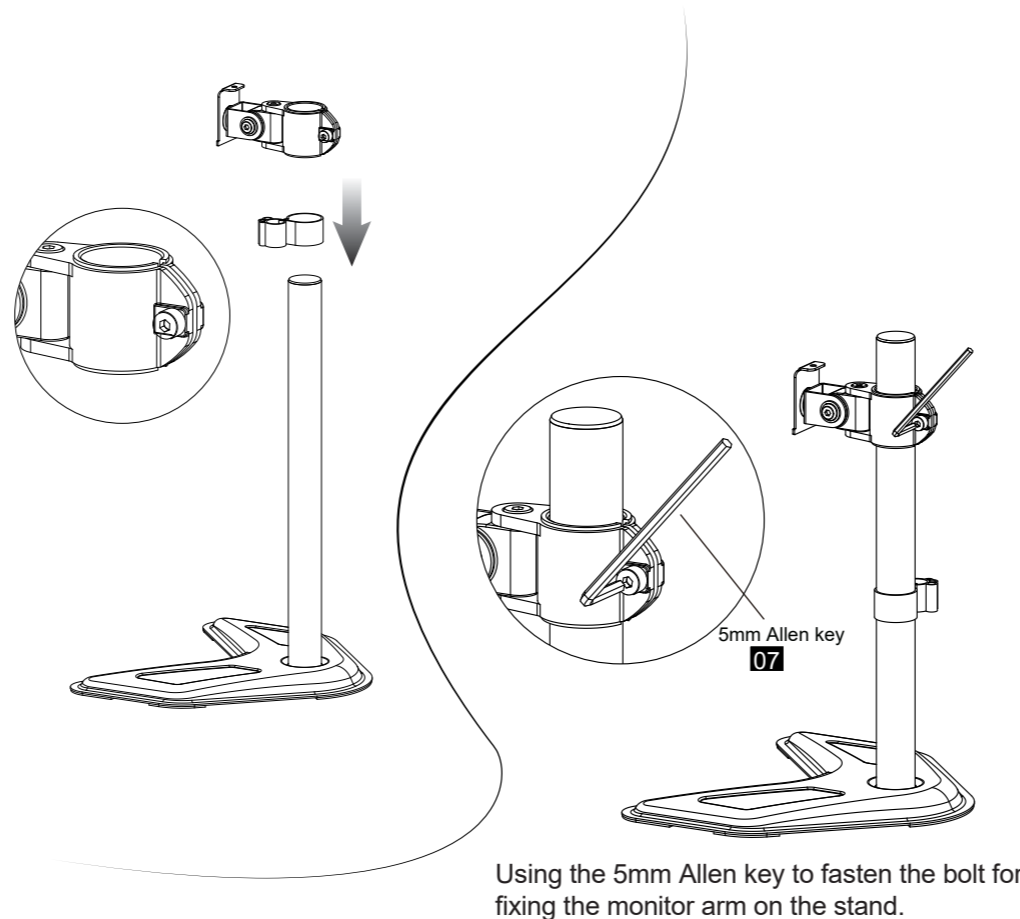
## Step 1-1 Assemble the stand

Assemble the pole and the base together using the included 4mm Allen key.



3

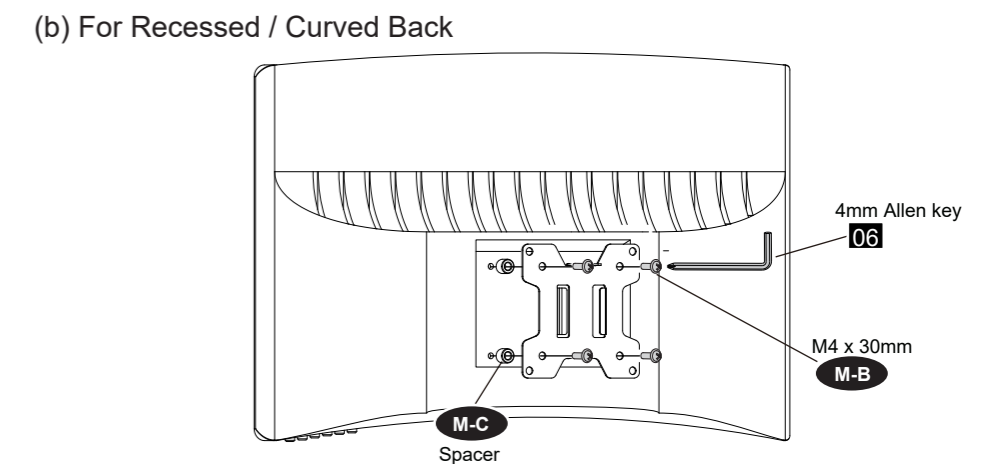
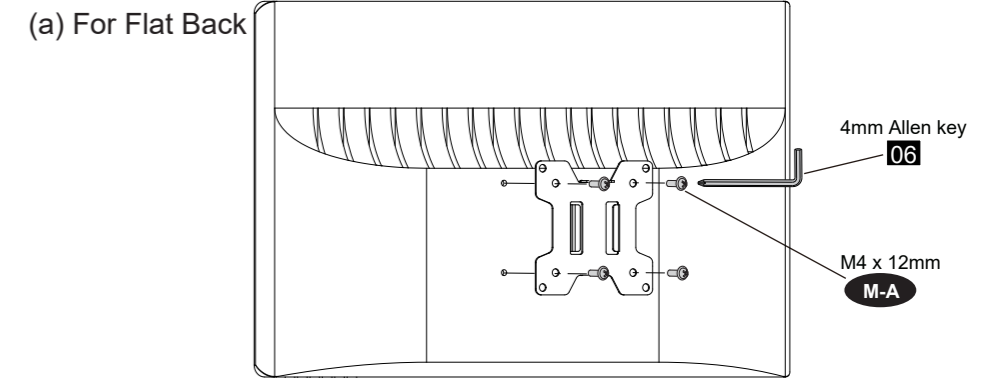
## Step 1-2 Assemble the stand



Using the 5mm Allen key to fasten the bolt for fixing the monitor arm on the stand.

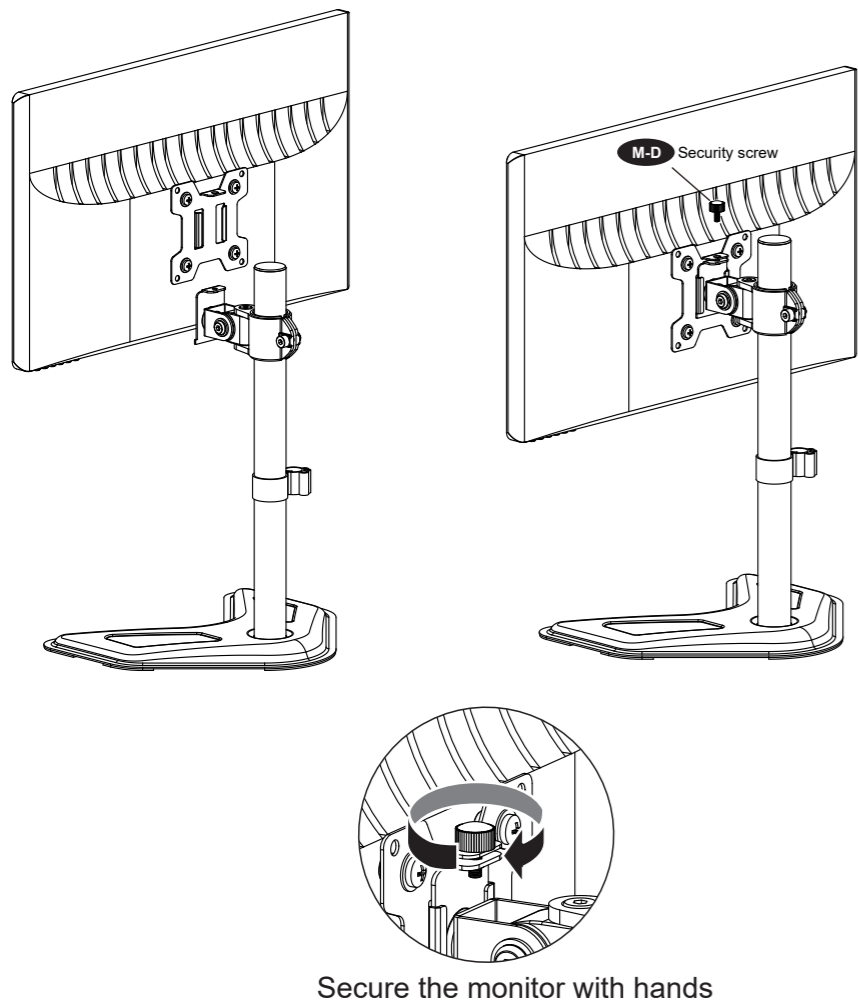
4

## Step 2 Attach the VESA plates to the monitor



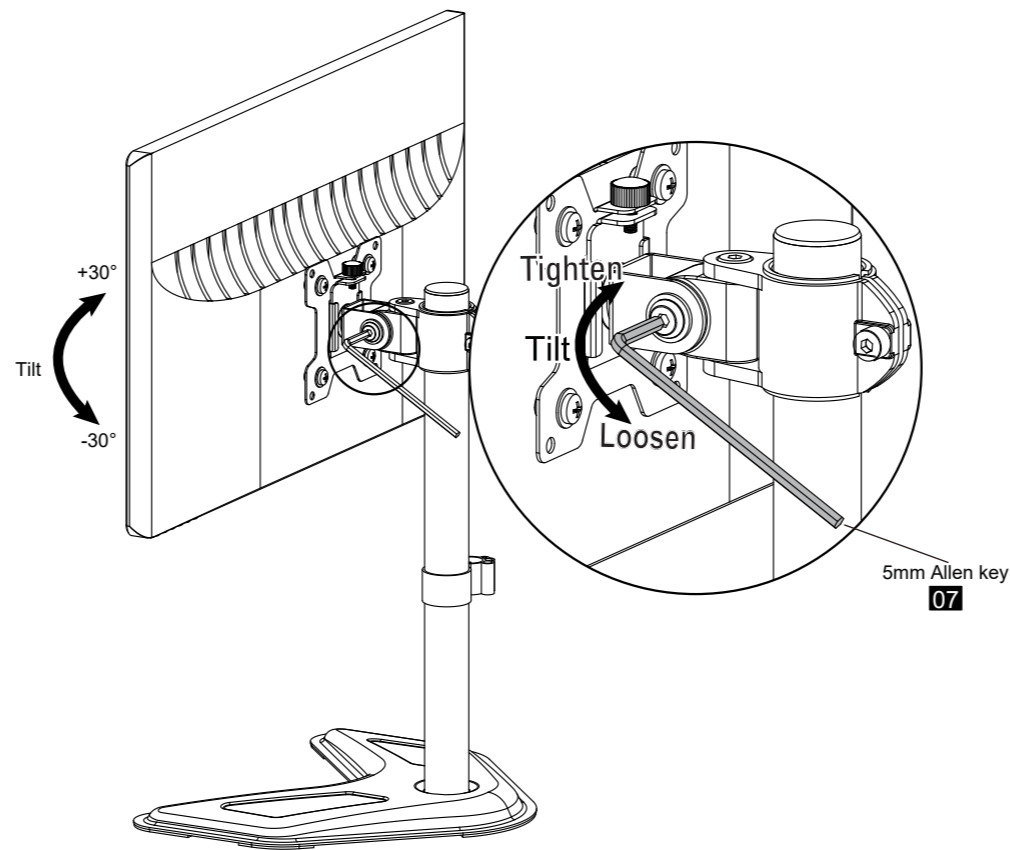
5

Step 3 Attach the monitor to the stand



Secure the monitor with hands

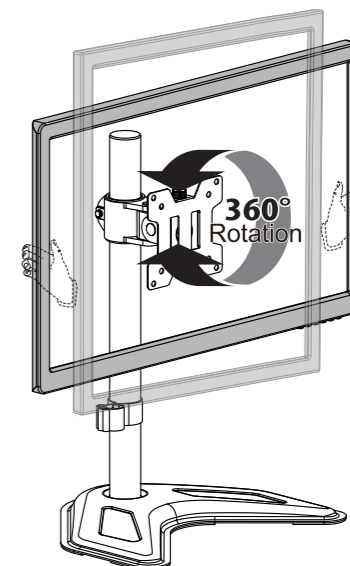
Step 4 Tilting Adjustment



Loosen tilting bolts, pull monitor to your desired angle, then fasten tilting bolt with the 5mm Allen key.

Step 5 Switch screen horizontally and vertically

If needed, the monitor can be rotated  $\pm 90$  degrees for switching screen between horizontally and vertically for turn the monitor directly.



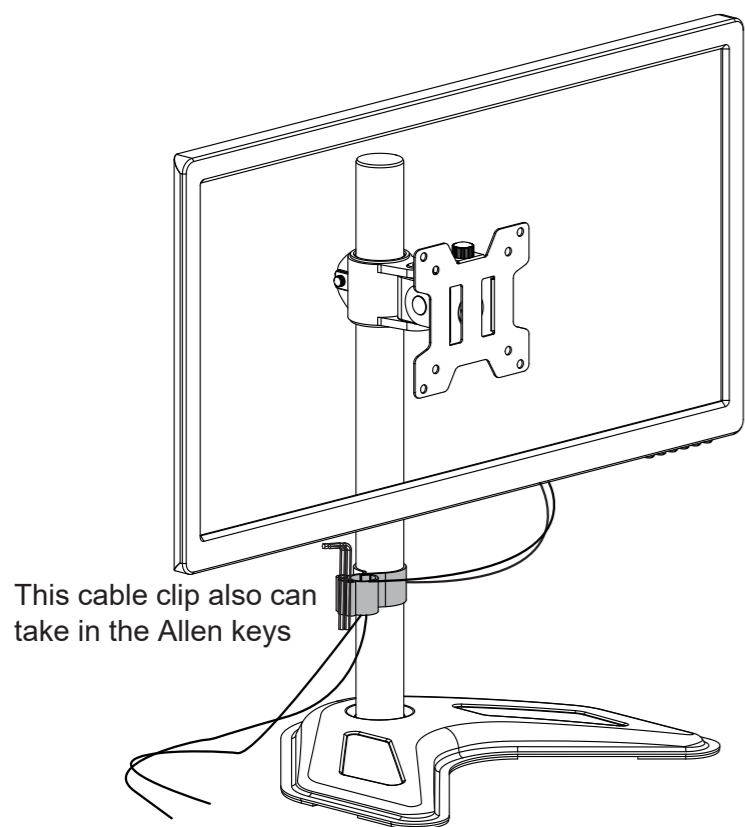
360° Rotation

This function works better for monitor with the center of gravity.

Note: To ensure stability, the tightness of the rotating axis has been preset, so it would be kind of difficult to rotate the VESA plate.

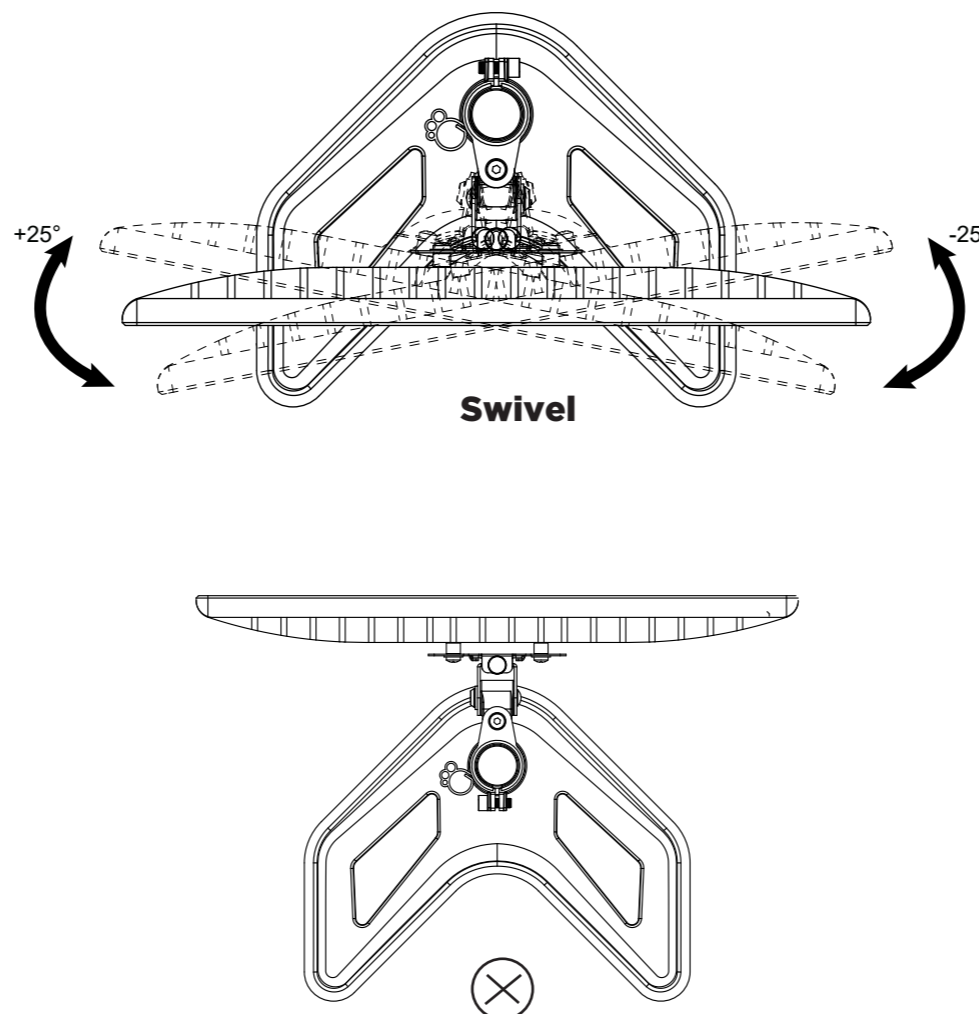
Suggestion: Please **attach the monitor first, then hold the two sides of it with both hands, and rotate vigorously**. If that doesn't work out, please do not hesitate to ask for our help via Amazon.

Manage tools and cables



This cable clip also can take in the Allen keys

Set the desired angle of the monitor



Product dimensions

