

If you have any questions, please contact us.

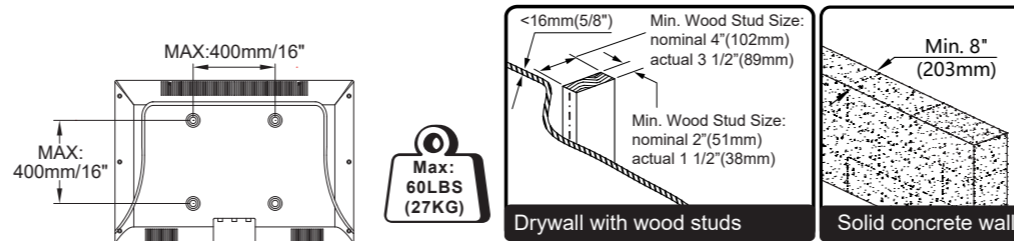
### Safety Caution

Please read this instruction carefully before installation. If you do not understand these instructions or have doubts about the safety of the installation, assembly or use of this product, please contact us.

- This product is designed for use in wood stud and solid concrete wall.
- **DO NOT install into drywall alone.**
- The wall must be capable of supporting five times the weight of the TV and mount combined.
- Do not apply this product to any purpose not indicated by MOUNTUP.
- Incorrect installation may result in product damage or body injury. MOUNTUP shall bear no responsibility for any damage or injury resulted from incorrect installation, incorrect assembly or misuse.

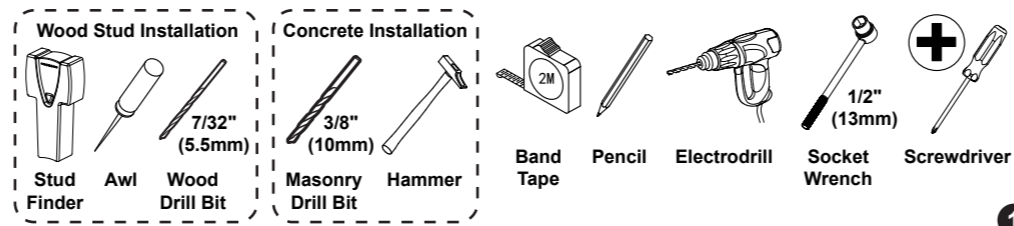
**WARNING:** This product contains small items that could be a choking hazard if swallowed. Before starting assembly, verify all parts are included and undamaged. For parts shortage or damage, please contact us.

### Must Check Before Getting Started



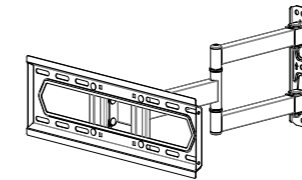
**CAUTION:** DO NOT install into drywall alone.

### Installation Tools (Not Included)



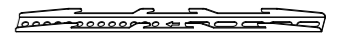
### Hardware Included

#### Arm and Wall Plate



01 x1

#### Brackets



02 x2

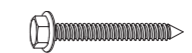
#### Safety Locks



03 x2

### Hardware (Wall/Product)

#### Lag Bolts 5/16 x 2 1/2 in



x3

A

#### Open-end wrench



x1

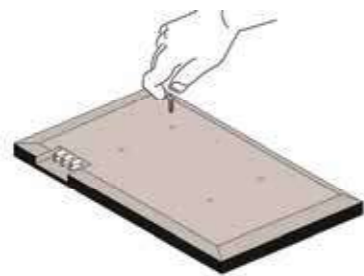
B

### TV Screws / Washers

Philips Screws M4 x 12mm M4 x 30mm	Philips Screws M6 x 15mm M6 x 30mm	Philips Screws M8 x 25mm M8 x 45mm	Spacers L10mm	Washers Ø6mm M4-5-6	Spacers L5mm
x4	x4	x4	x8	x4	x8
M-A	M-B	M-C	M-D	M-E	M-F

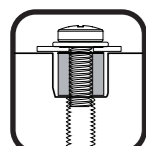
### Step 1-1 Select TV screw diameter

Thread screws by hand into the threaded holes on the back of your TV to select which screw diameter fits your TV.

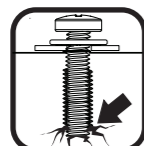


### Step 1-2 Select TV screw length

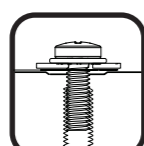
**Warning:** When attaching brackets to the flat screen, be careful not to over tighten screws and be sure that screws do not bottom out in the mounting holes.



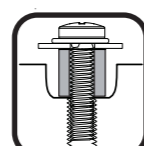
Too Short



Too Long



Correct



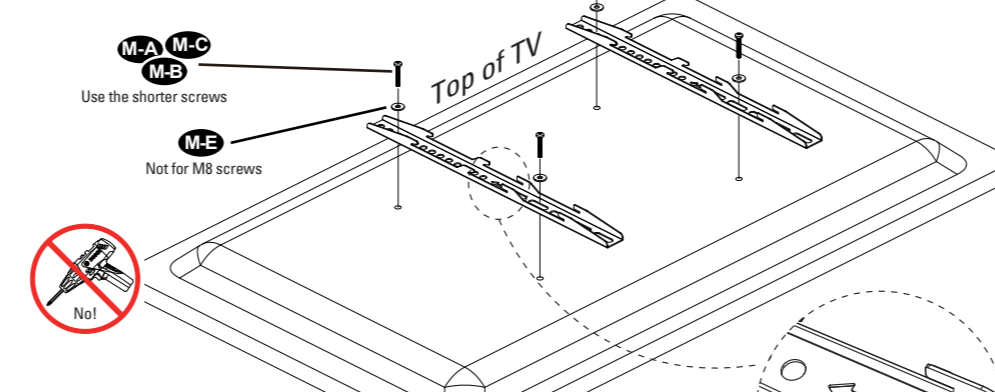
Correct



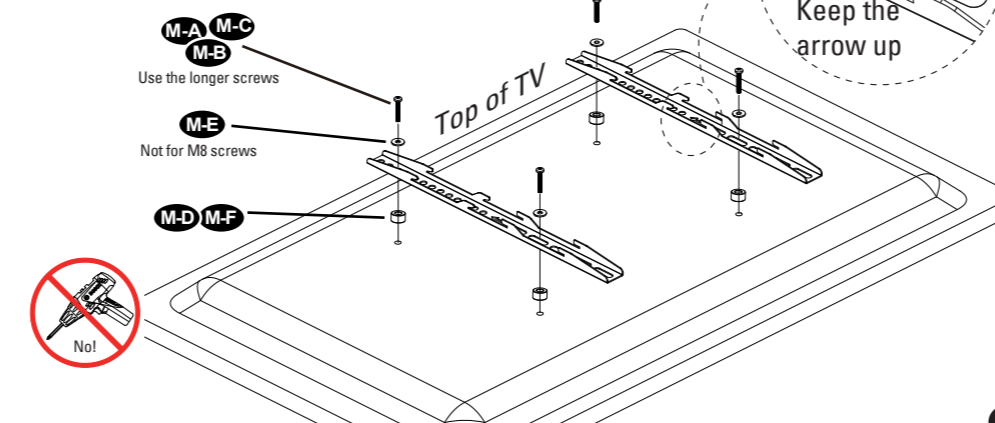
### Step 1-3 Attach the bracket

**CAUTION:** Ensure bracket is securely fastened before moving on to the next step.

#### (a) For Flat Back

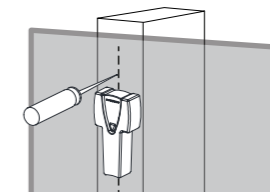


#### (b) For Round Back / Extra Space



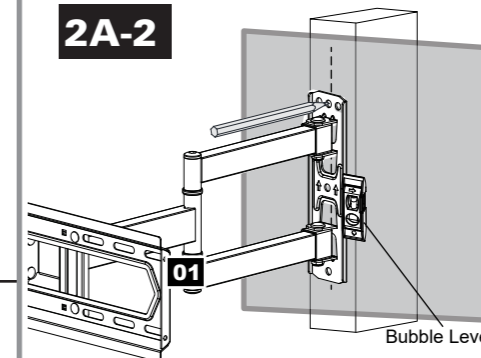
### Step 2A Wall plate installation (wood stud)

#### 2A-1



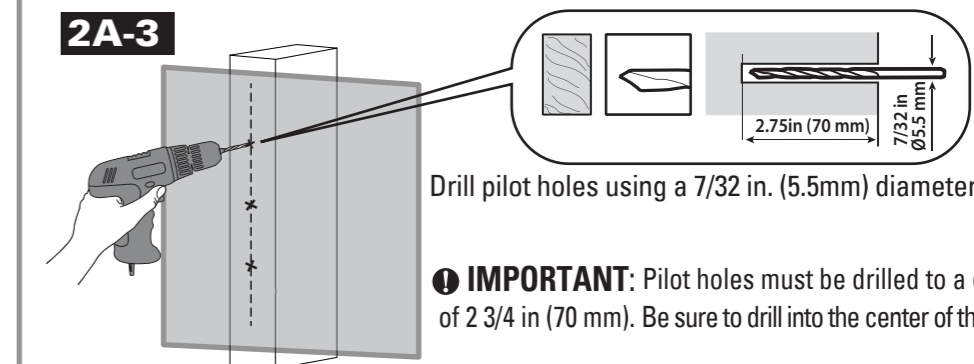
Locate your studs. Verify and mark the center of the stud by finding the stud edges using an awl, a thin nail, or an edge-to-edge stud finder.

#### 2A-2



Position the wall plate 01 at your desired height and line up the holes with your stud center line. Level the wall plate and mark the pilot hole locations.

#### 2A-3



Drill pilot holes using a 7/32 in. (5.5mm) diameter drill bit.

**IMPORTANT:** Pilot holes must be drilled to a depth of 2 3/4 in (70 mm). Be sure to drill into the center of the stud.

### 2A-4

UP ↑

Install wall plate **01** using lag bolts **A**. Tighten the lag bolts **A** until they are pulled firmly against the wall plate **01**.

### Step 2B Wall plate installation (concrete or brick)

### 2B-1

Position the wall plate **01** at your desired height, level the wall plate and mark the pilot hole locations x3.

Bubble Level

### 2B-2

Drill pilot holes

6

### Adjustments

#### Tool-free Tilting Adjustment

-10°

+5°

**▲ If necessary**  
If TV keeps tilting down, Pull TV to desired angle then fasten tilting nuts with the open-end wrench.

Tighten

Loosen

B

9

### 2B-3

Concrete wall anchor 3pcs (NOT INCLUDED)  
Ø10\*61mm

Contact us to have these additional pieces shipped directly to you.

UP ↑

Install wall plate **01** using lag bolts **A** and anchors (not included). Tighten the lag bolts **A** until they are pulled firmly against the wall plate **01**.

Concrete Wall

Concrete Wall

7

### Adjustments

#### Leveling adjustment (-3°/+3°)

+3°

-3°

B

B

If needed, TV can be leveled ±3 degrees via adjusting the 4 nuts with the open-end wrench.

±3°

10

### Step 3 Lift and hang TV with brackets onto wall bracket

TV brackets have two-height -shifts. You can choose your desired height.

The first choice

The second choice

02

01

03

Attach the safety locks

Secure

03

Hang the TV with brackets to the bracket.

8

### Product dimensions:

MAX: 400mm/16"  
MIN: 75mm/3"

28.6mm/1.1"

425mm/16.7"

150mm/5.9"

435mm/17.1"

30mm/1.2"

40mm/1.6"

73mm/2.9"

505mm/19.9"

89mm/3.5"

206mm/8.1"

206mm/8.1"

224mm/8.8"

100mm/3.9"

100mm/3.9"

58mm/2.3"

31mm/1.2"

20mm/0.8"

11