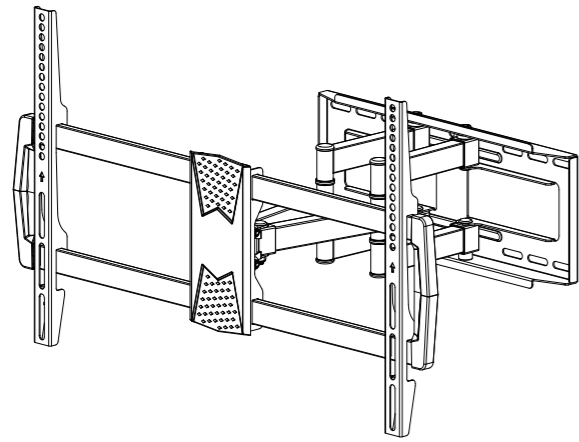


INSTALLATION INSTRUCTION



Max: 600x400mm / 24x16"
Min: 150x100mm / 6x4"

MU-680C-A-DY

If you have any questions, please feel free to contact us via Amazon.

Warm Tips
You could also refer to the Video Guide about installation on our product page.

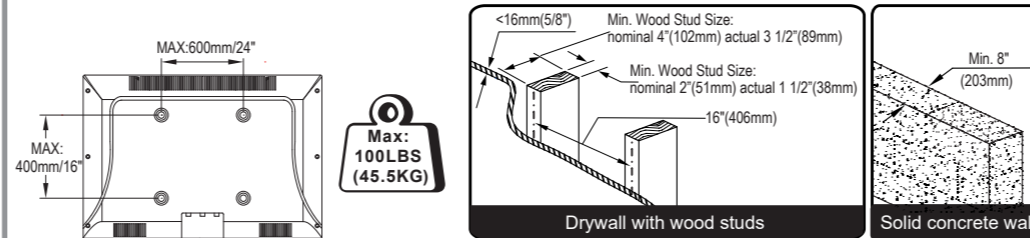
Safety Caution

Please read this instruction carefully before installation. If you do not understand these instructions or have doubts about the safety of the installation, assembly or use of this product, please contact us.

- This product is designed for use in wood stud or solid concrete wall.
- **DO NOT install into drywall alone.**
- The wall must be capable of supporting five times the weight of the TV and mount combined.
- Incorrect installation may result in product damage or body injury.

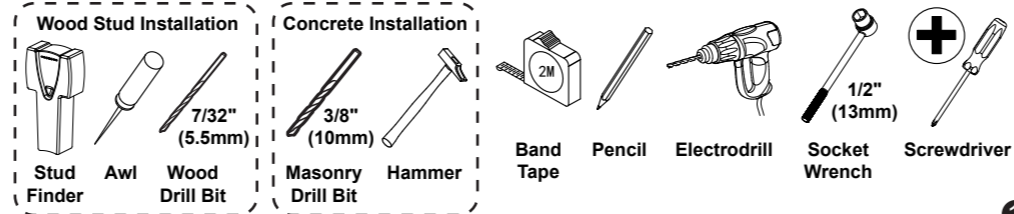
WARNING: This product contains small items that could be a choking hazard if swallowed. Before starting assembly, verify all parts are included and undamaged. For parts shortage or damage, please contact us.

Must Check Before Getting Started

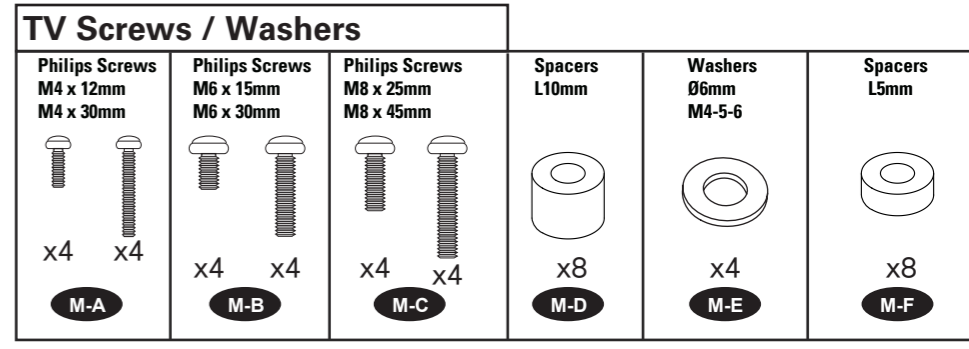
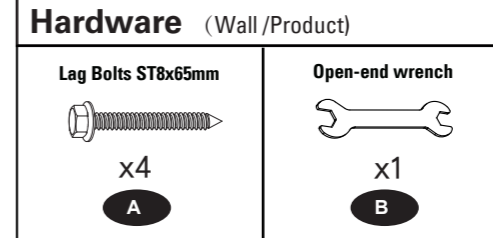
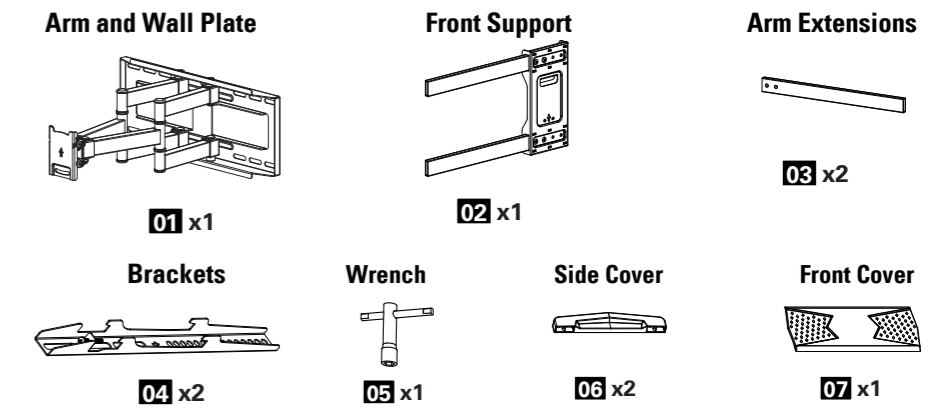


CAUTION: DO NOT install into drywall alone.

Installation Tools (Not Included)

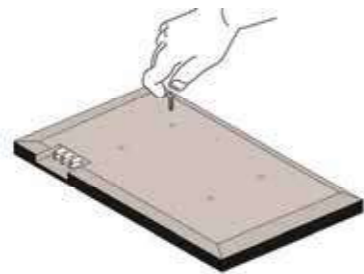


Hardware Included



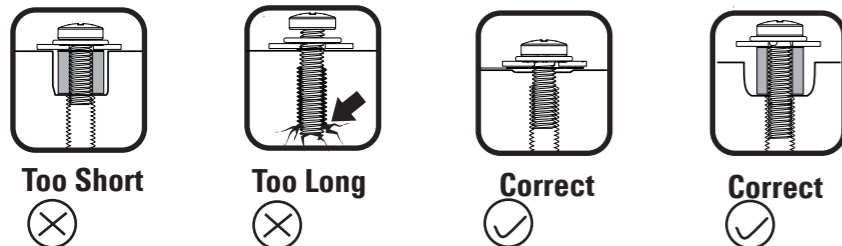
Step 1-1 Select TV screw diameter

Thread screws by hand into the threaded holes on the back of your TV to select which screw diameter fits your TV.



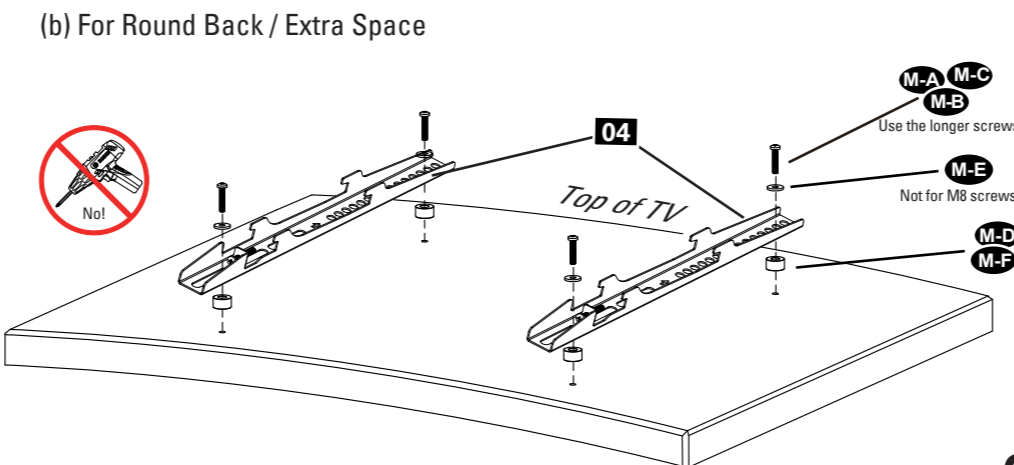
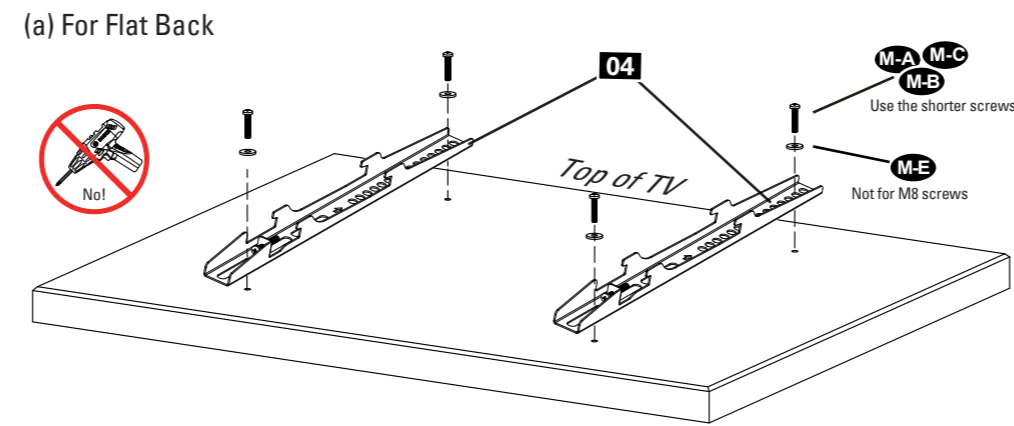
Step 1-2 Select TV screw length

Warning: When attaching brackets to the flat screen, be careful not to over tighten screws and be sure that screws do not bottom out in the mounting holes.

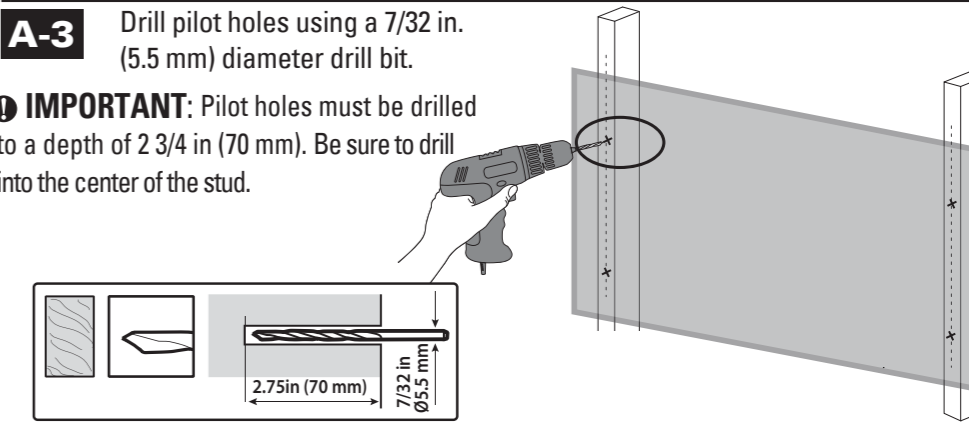
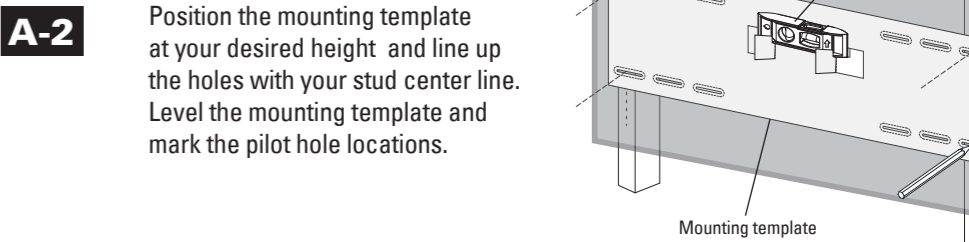
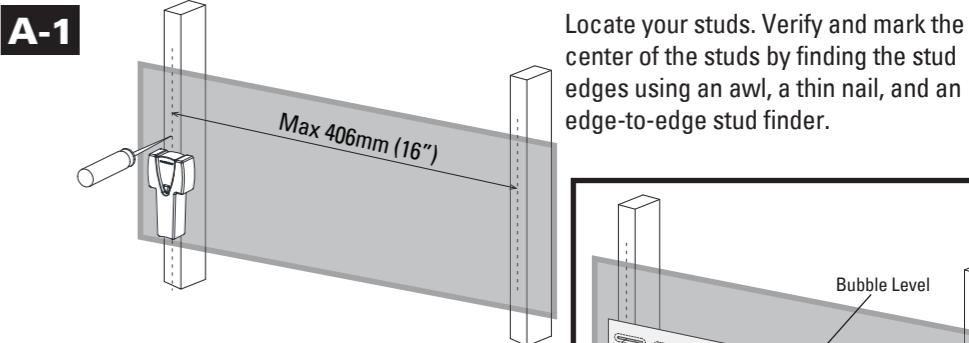


Step 1-3 Attach the bracket

CAUTION: Ensure bracket is securely fastened before moving on to the next step.

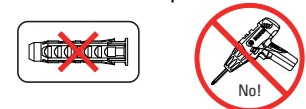


Step 2A Wall plate installation (wood stud)

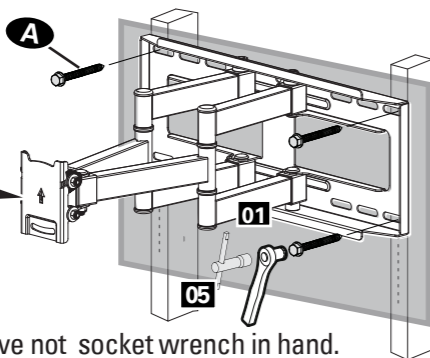


A-4

To prevent the TV falling down, the Arrow Must Keep UP at this step!!



UP



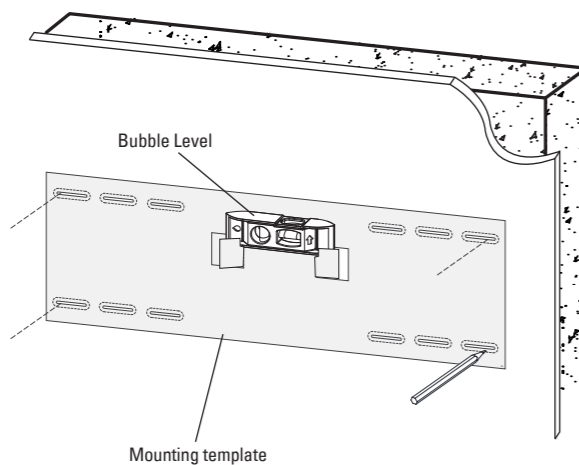
Use the included wrench 05 when have not socket wrench in hand.

Install wall plate 01 using lag bolts A with Socket Wrench, NO Electrodrill. Tighten the lag bolts A until they are pulled firmly against the wall plate 01.

Step 2B Wall plate installation (concrete)

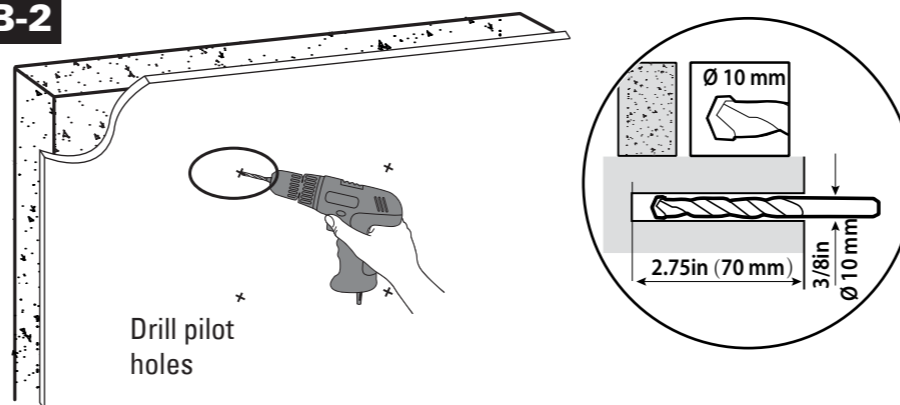
B-1

Position the mounting template at your desired height, level the mounting template and mark the pilot hole locations x4.



6

B-2



B-3

Concrete wall anchor 4pcs (NOT INCLUDED)



To prevent the TV falling down, the Arrow Must Keep UP at this step!!

UP

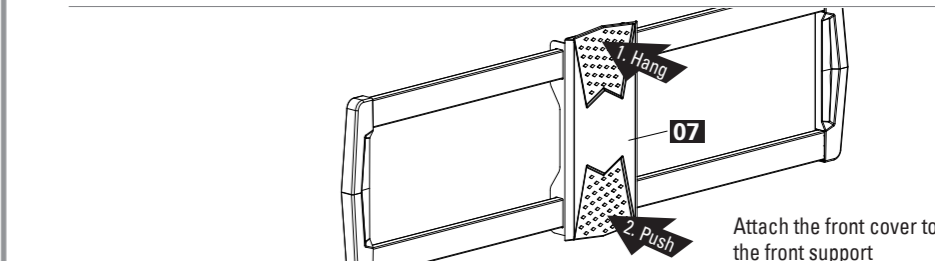
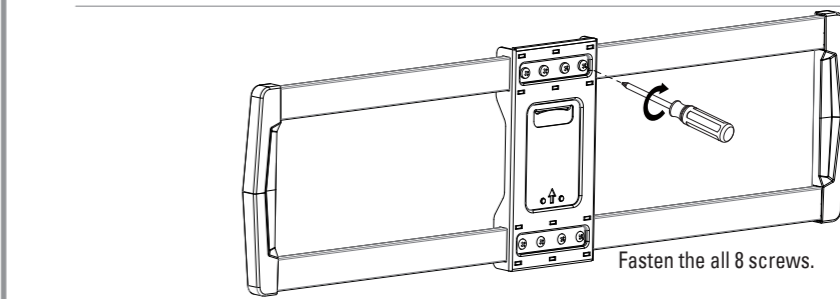
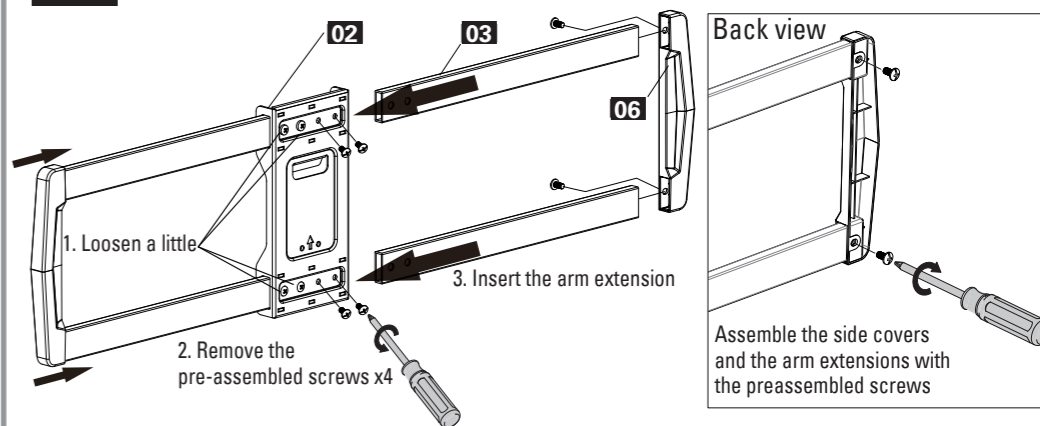
Use the included wrench 05 when have not socket wrench in hand.

Install wall plate 01 using lag bolts A and anchor (not included) with Socket Wrench, NO Electrodrill. Tighten the lag bolts A until they are pulled firmly against the wall plate 01.

7

Step 3 Install front support and extensions

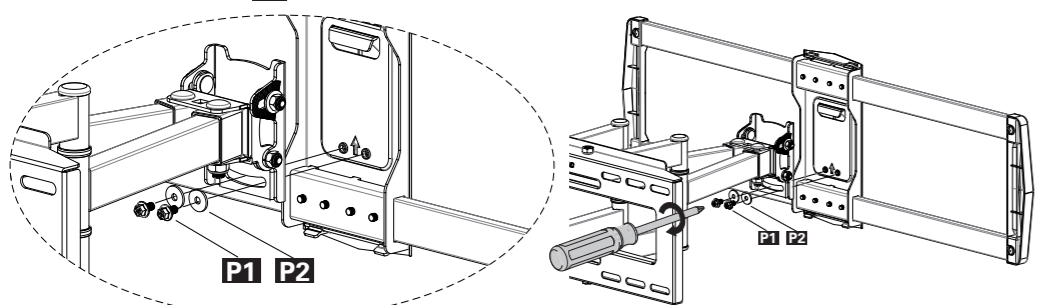
3-1 Install the extensions 03 to front support 02 with the pre-assembled screws.



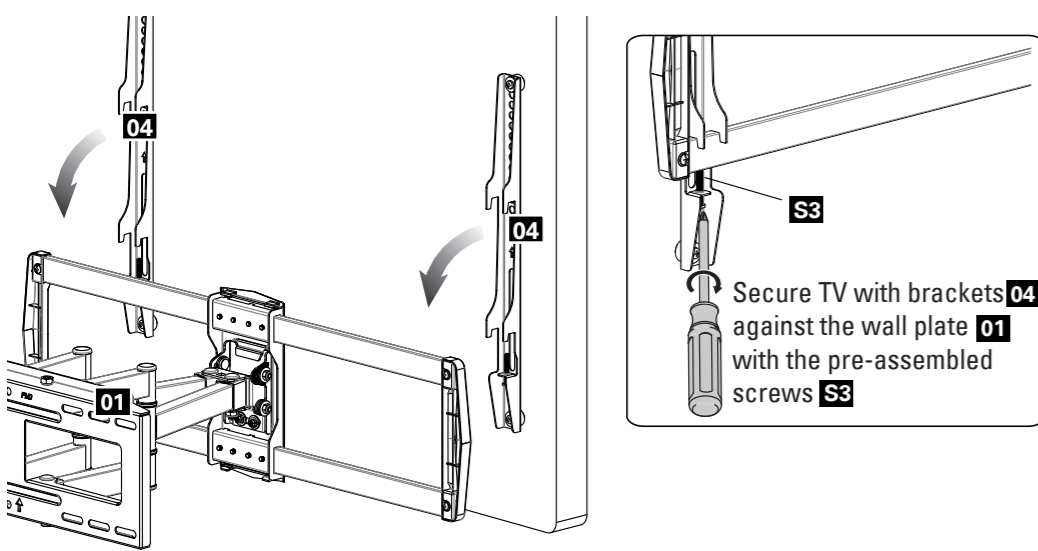
8

Step 3 Install front support and extensions

3-2 Hang 02 onto 01 and using a screwdriver to secure with pre-assembled screws P1 and washer P2.



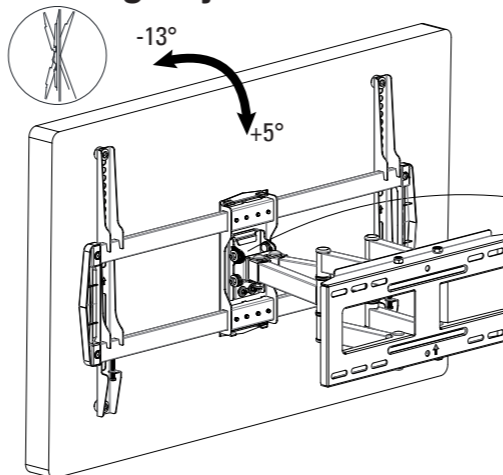
Step 4 Hang TV with brackets onto the arm extensions



9

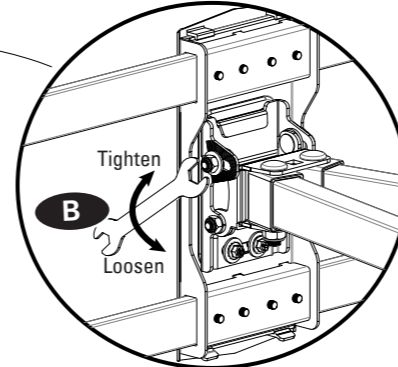
Adjustments

Tilting Adjustment

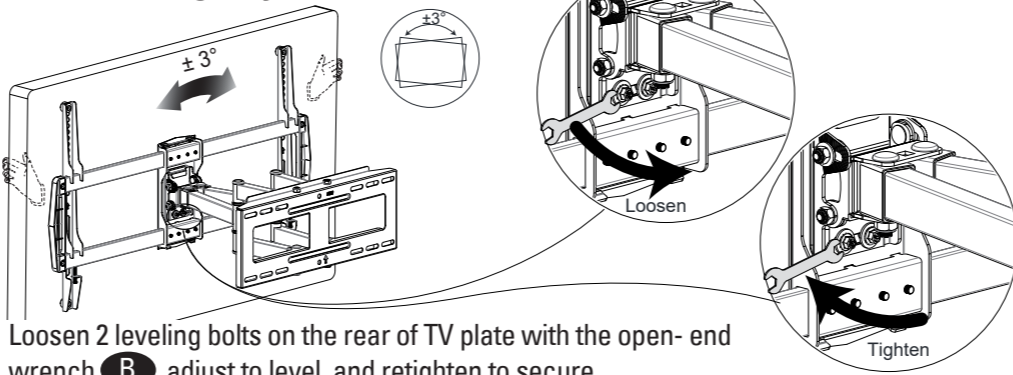


(Tilting)

Tilting Angle Adjustment (+5° / -13°)
Loosen 2 tilting bolts, pull TV to your desired angle, then fasten tilting nuts with open-end wrench.



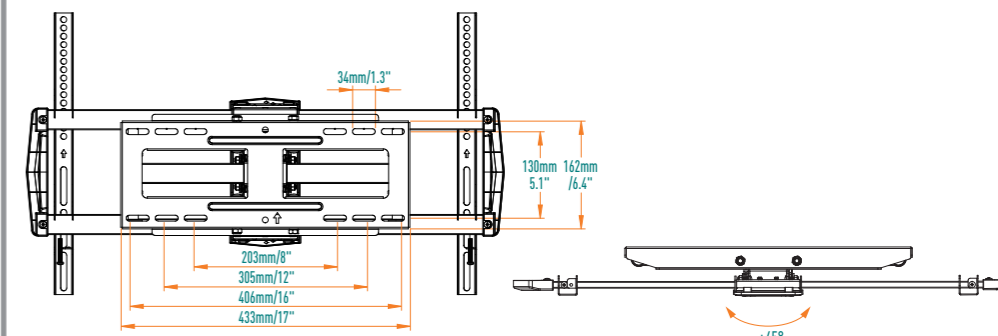
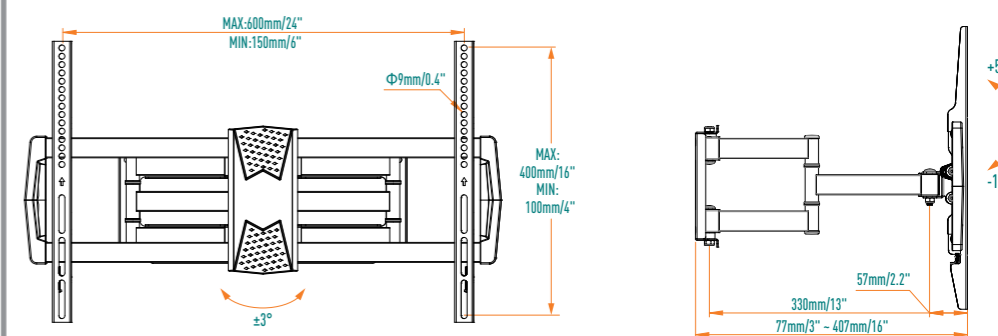
TV leveling adjustment (-3°/+3°)



Loosen 2 leveling bolts on the rear of TV plate with the open-end wrench B, adjust to level, and retighten to secure.

10

Product dimensions



11