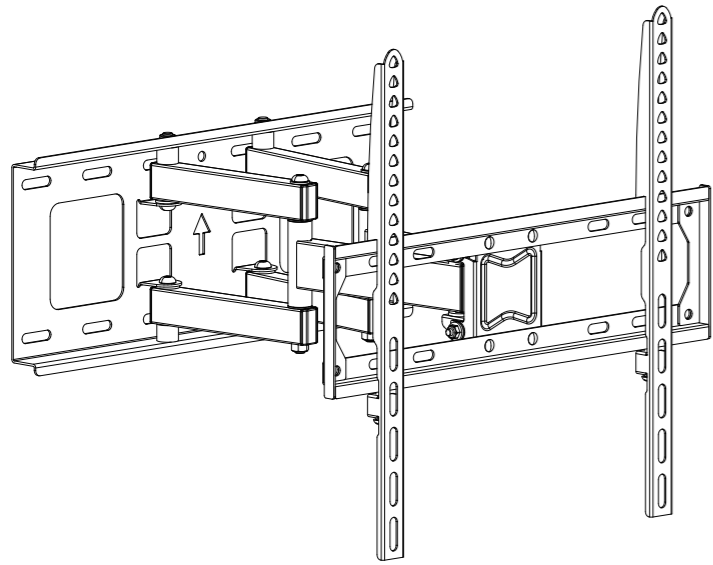


# INSTALLATION INSTRUCTION



Velcro Cable Ties x3  
Bubble Level x1



Max: 400x400mm/16x16"  
Min: 75x75mm/3x3"

YZ1204-ET-US1

If you have any questions, please feel free to contact us via Amazon.

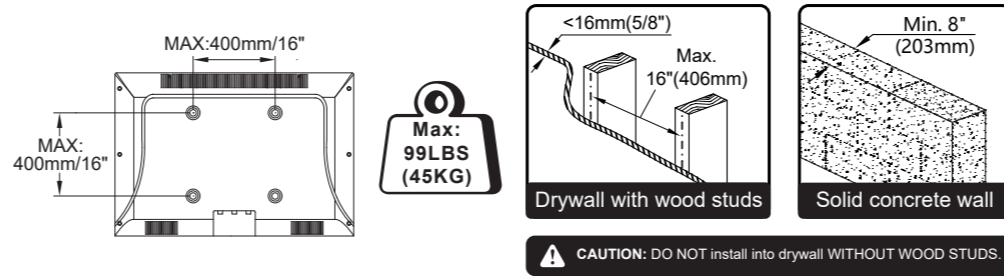
## Safety Caution

Please read this instruction carefully before installation. If you do not understand these instructions or have doubts about the safety of the installation, assembly or use of this product, please contact us.

- This product is designed for use in wood stud or solid concrete wall.
- DO NOT install into drywall WITHOUT WOOD STUDS.**
- The wall must be capable of supporting five times the weight of the TV and mount combined.
- Incorrect installation may result in product damage or body injury.

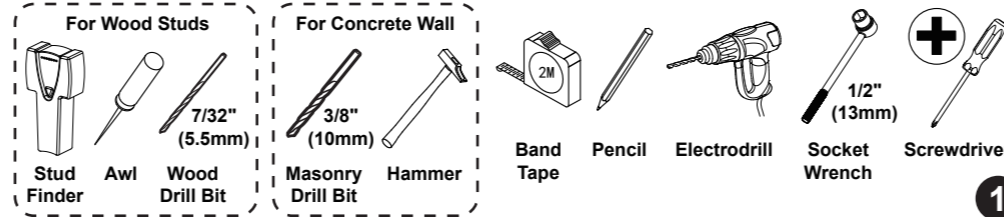
**⚠ WARNING:** This product contains small items that could be a choking hazard if swallowed. Before starting assembly, verify all parts are included and undamaged. If any parts are missing or damaged, do not return the damaged item to your dealer; please contact our customer service team. Never use damaged parts!

## Must Check Before Getting Started

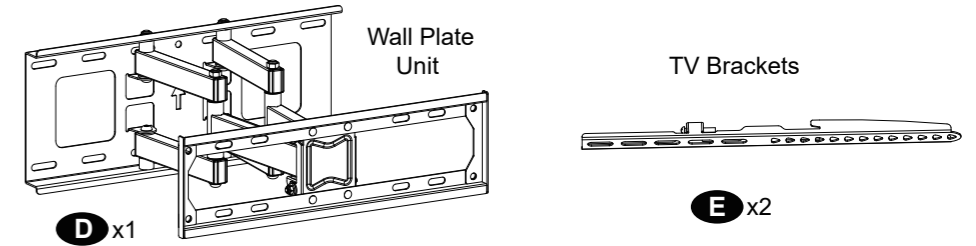


**⚠ CAUTION:** DO NOT install into drywall WITHOUT WOOD STUDS.

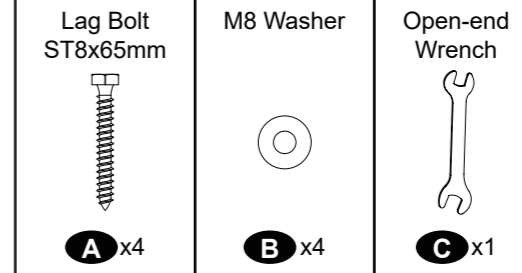
## Extra Tools You Need (Not Supplied)



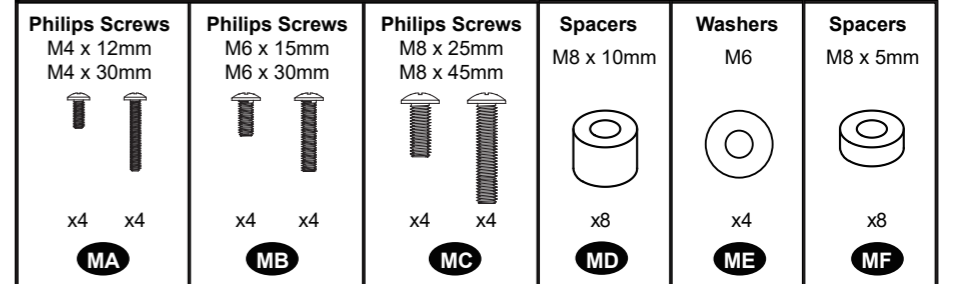
## Supplied Parts and Hardware



### Hardware (Wall / Product)



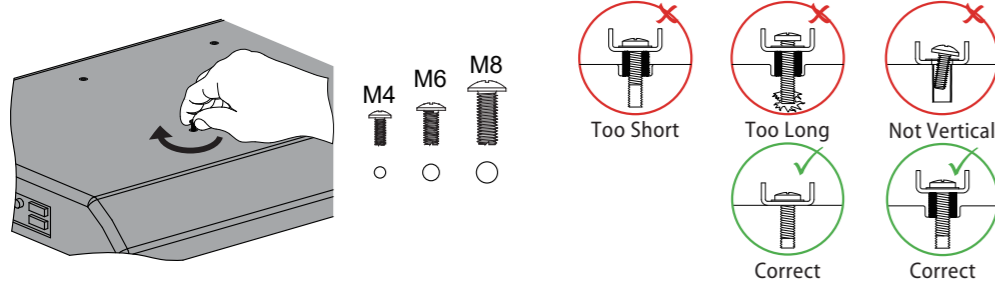
### TV Screws / Spacers / Washers



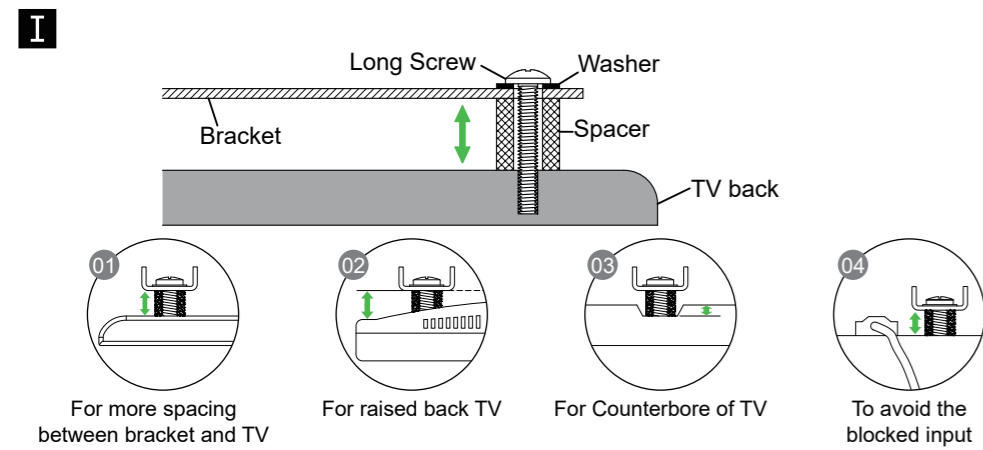
NOTE: Not all hardware included will be used.

## STEP 1 Attach the TV Brackets

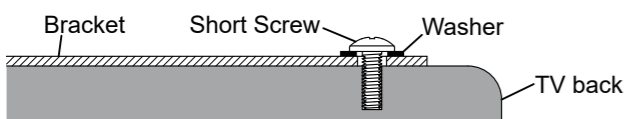
**1-1 Select TV Screws.** TV screws specification can be found in your TV user manual



**1-2 With or without spacers.**

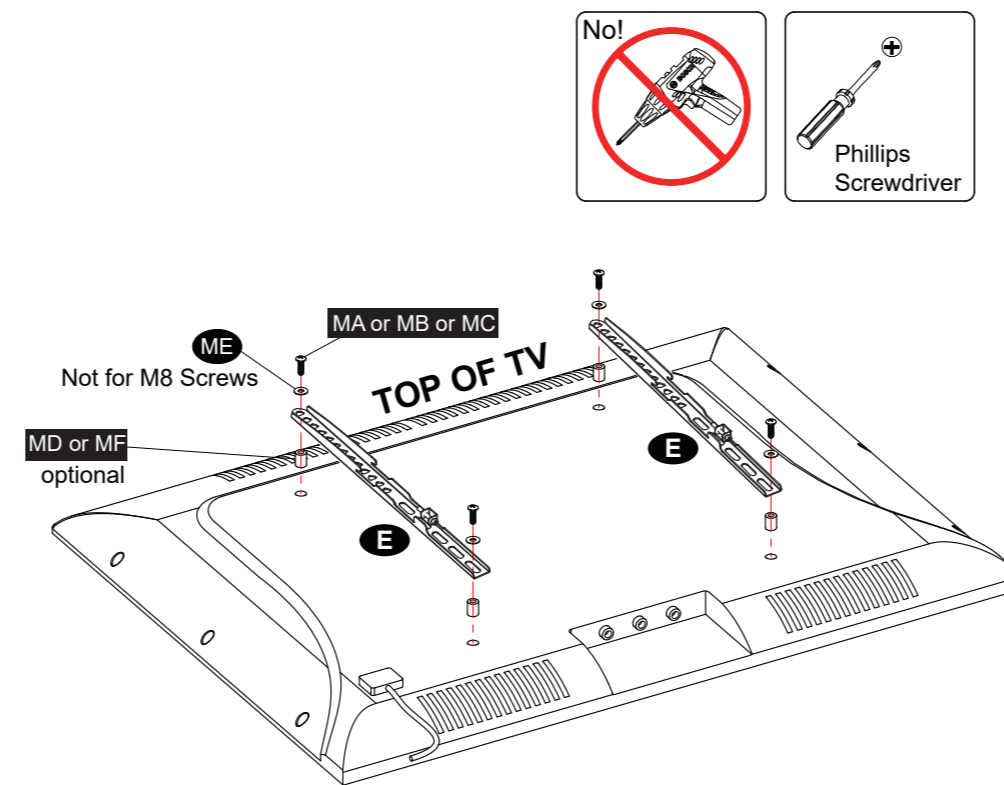


**II** No, just choose the screws, washers.



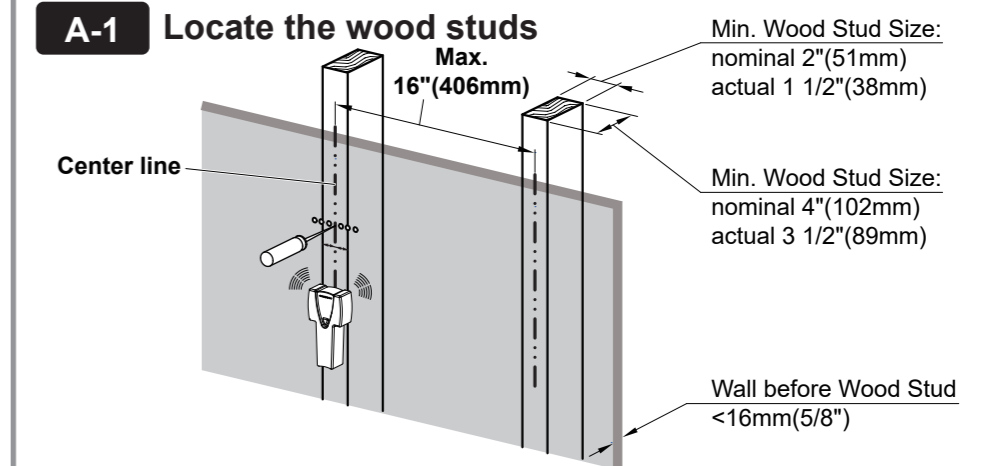
## STEP 1 (Continued)

**1-3 Attach the TV Brackets**

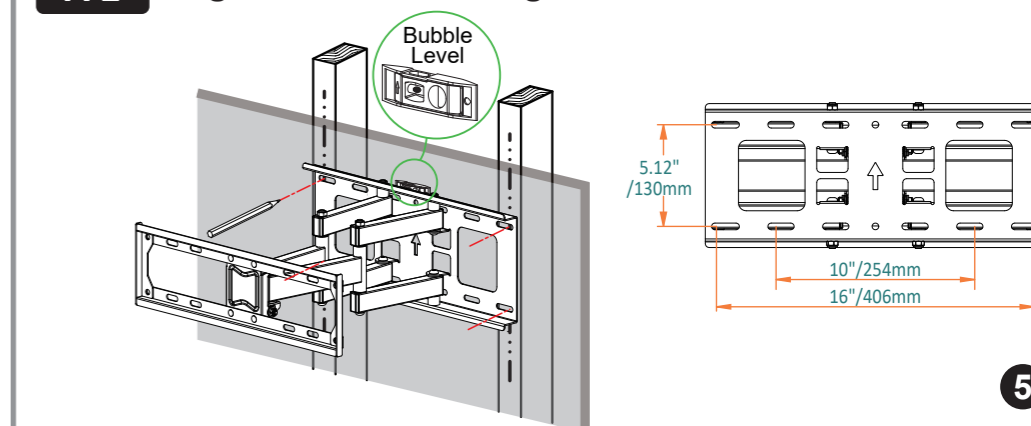


## STEP 2 Attach Wall Plate to Wall

**OPTION A: Wood Stud Installation**

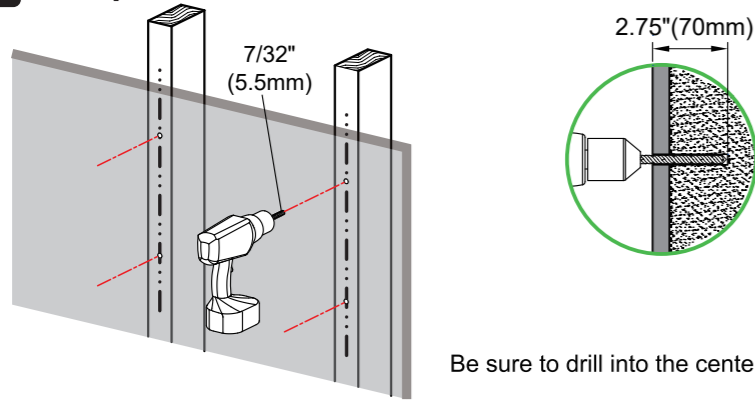


**A-2 Align & mark mounting holes with wood studs.**



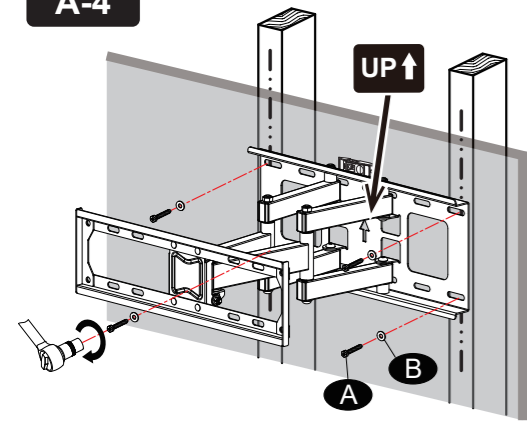
## STEP 2 (Continued)

### A-3 Drill pilot holes



Be sure to drill into the center of the stud.

### A-4

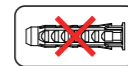


**CAUTION:** To avoid potential personal injury or property damage: All 4 lag bolts **A** **MUST BE** firmly tightened to prevent unwanted movement of the wall plate assembly. Ensure the wall plate assembly is securely fastened to the wall before continuing on to the next step.

To prevent the TV falling down, **the Arrow Must Keep UP at this step!!**



Install wall plate using lag bolts and washer with Socket Wrench, **NO** Electrodrill.



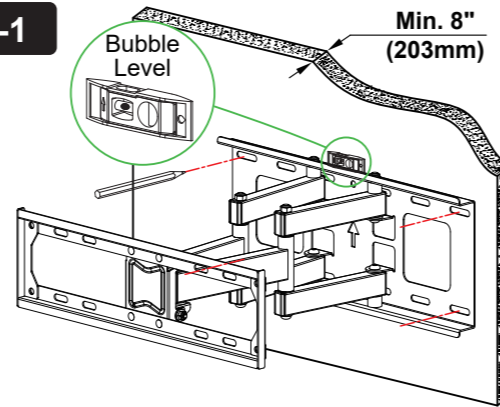
**CAUTION:** Do not use in drywall or wood.

6

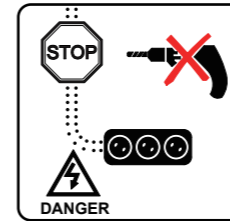
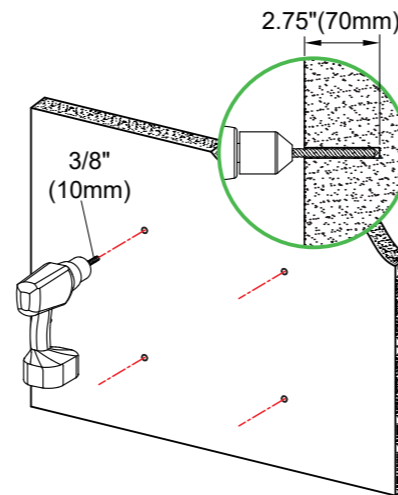
## STEP 2 (Continued)

### OPTION B: Solid Concrete or Brick Wall Installation

#### B-1



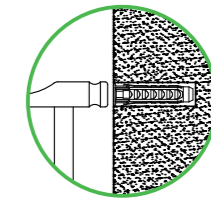
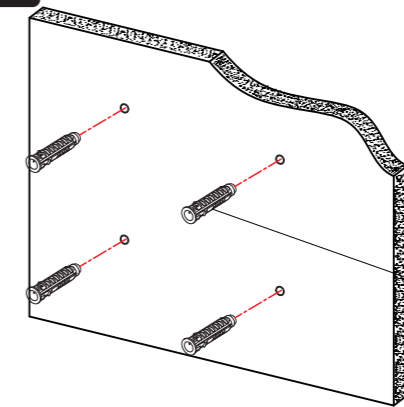
#### B-2



7

## STEP 2 (Continued)

### B-3

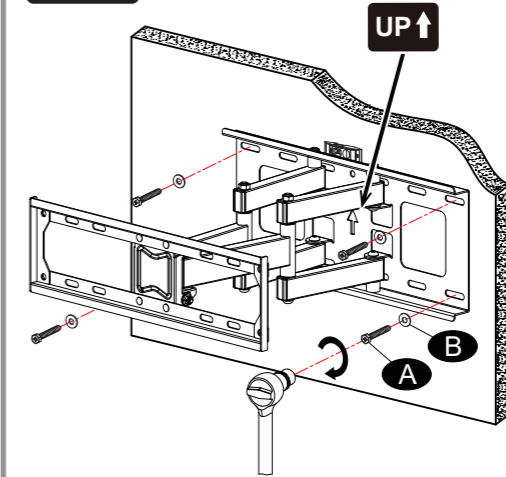


**Concrete wall anchor (NOT INCLUDED)**

Φ10×61mm

Contact us to have these additional pieces shipped directly to you.

### B-4



**CAUTION:** To avoid potential personal injury or property damage: All 4 lag bolts **A** **MUST BE** firmly tightened to prevent unwanted movement of the wall plate assembly. Ensure the wall plate assembly is securely fastened to the wall before continuing on to the next step.

To prevent the TV falling down, **the Arrow Must Keep UP at this step!!**



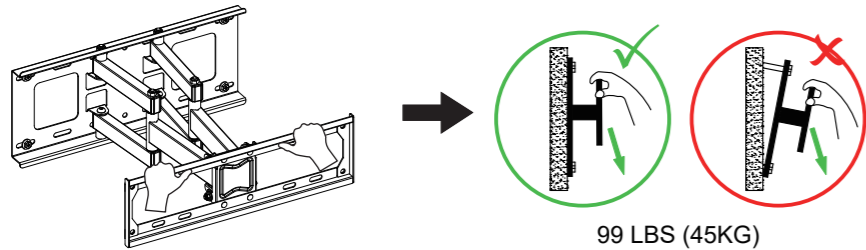
Install wall plate using lag bolts, washer and anchor with Socket Wrench, **NO** Electrodrill.

8

## STEP 3 Hang and Secure TV to Wall Plate

### 3-1 Wall Plate Installation Integrity Test

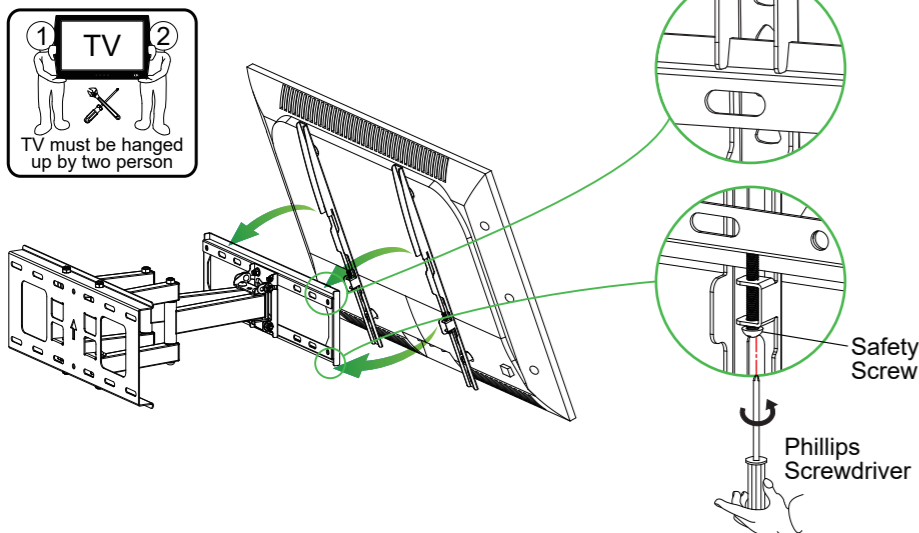
Before hanging TV, please conduct "wall plate installation integrity test" first.



99 LBS (45KG)

### 3-2 Hang and Secure TV to Wall Plate

Release preassembled screws down on brackets, hang TV with brackets onto the Plate, then fasten the safety screws.

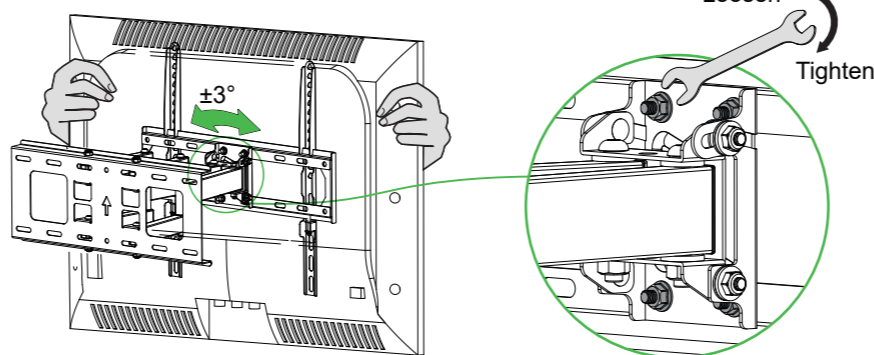


9

## STEP 4 Adjustments

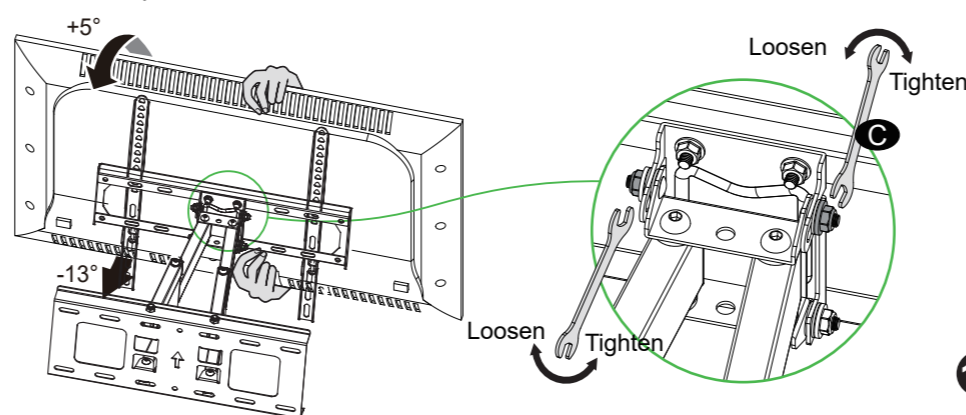
### Leveling adjustment

If needed, TV can be leveled by  $\pm 3$  degrees via adjusting the 4 nuts with the open-end wrench **C**.



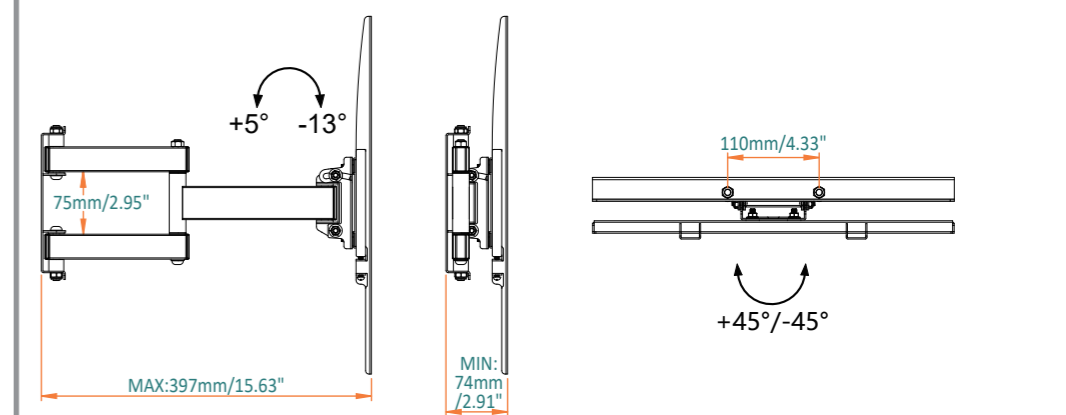
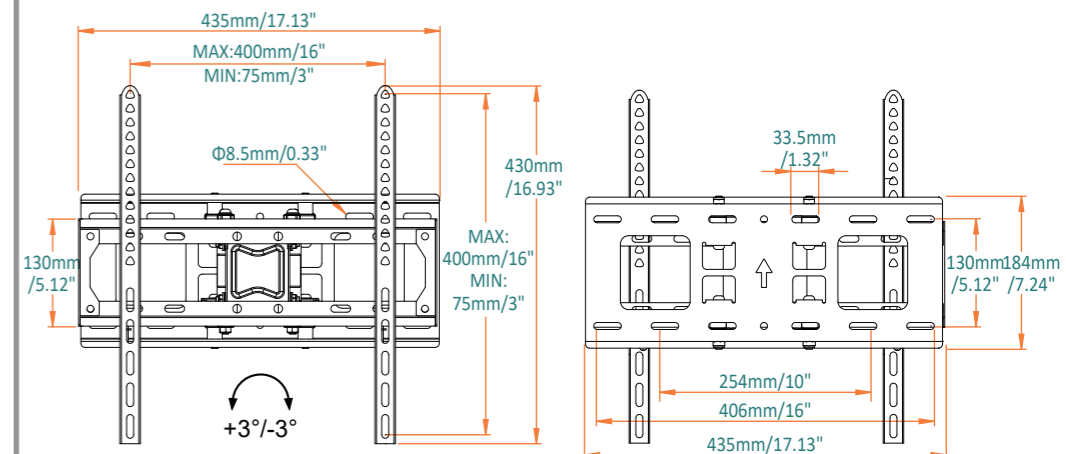
### Tilting adjustment

If needed, TV can be tilted by  $+5 \sim -13$  degrees via adjusting the 2 nuts with the open-end wrench **C**.



10

## Product Dimensions



11