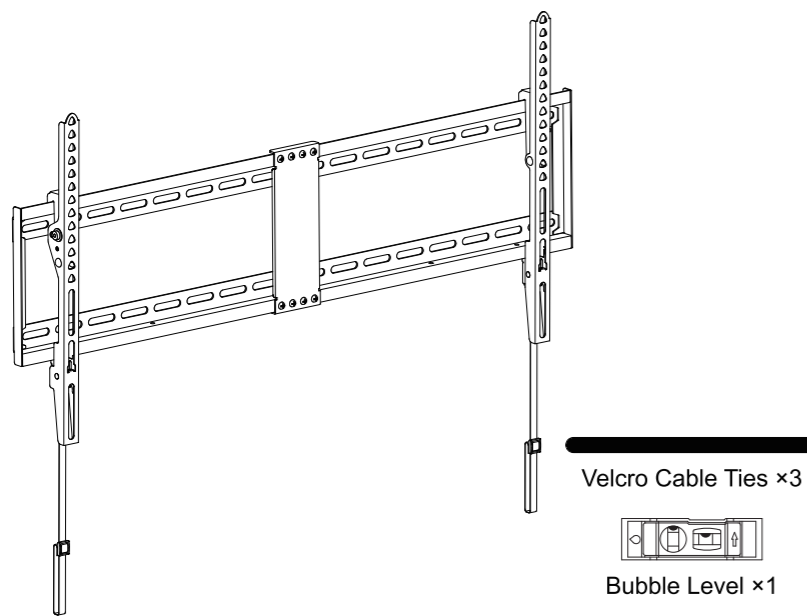


INSTALLATION INSTRUCTION



Max: 800x400mm/32x16"
Min: 150x100mm/6x4"

YZ2213-ET-US1

If you have any questions, please feel free to contact us via Amazon.

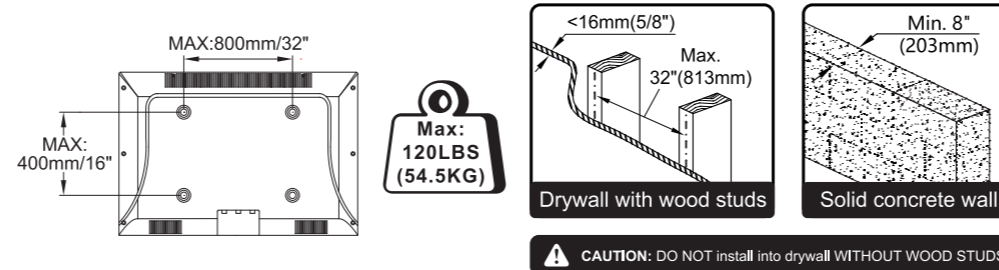
Safety Caution

Please read this instruction carefully before installation. If you do not understand these instructions or have doubts about the safety of the installation, assembly or use of this product, please contact us.

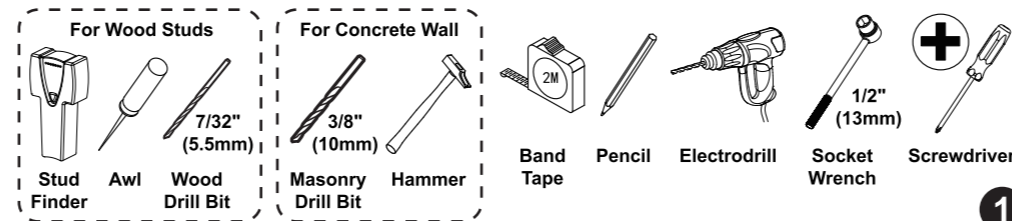
- This product is designed for use in wood stud or solid concrete wall.
- **DO NOT install into drywall WITHOUT WOOD STUDS.**
- The wall must be capable of supporting five times the weight of the TV and mount combined.
- Incorrect installation may result in product damage or body injury.

⚠ WARNING: This product contains small items that could be a choking hazard if swallowed. Before starting assembly, verify all parts are included and undamaged. If any parts are missing or damaged, do not return the damaged item to your dealer; please contact our customer service team. Never use damaged parts!

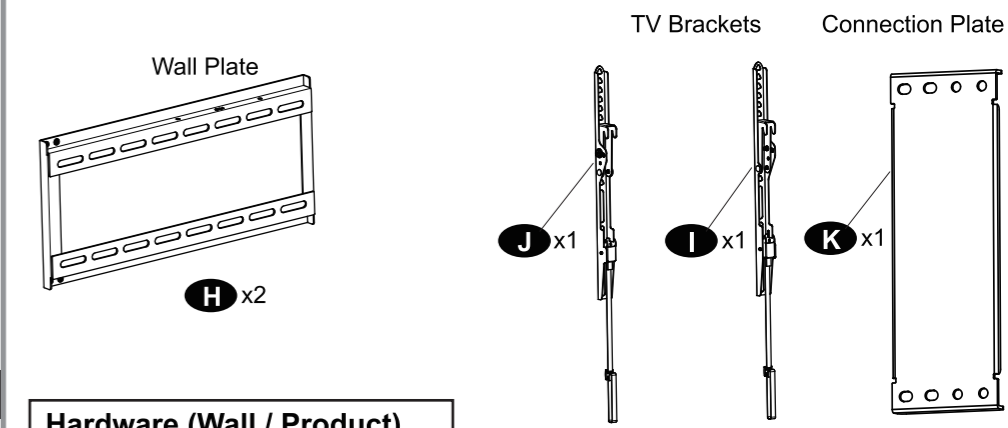
Must Check Before Getting Started



Extra Tools You Need (Not Supplied)



Supplied Parts and Hardware



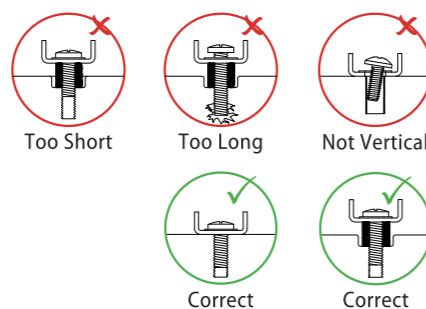
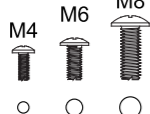
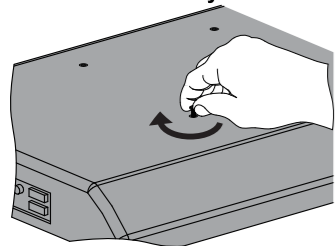
Hardware (Wall / Product)			
Lag Bolt M8x65mm A x6	M8 Washer B x6	M5 x 8mm C x8	M4 Allen Key G x1

TV Screws / Spacers / Washers					
Philips Screws M4 x 12mm M4 x 30mm MA x4	Philips Screws M6 x 15mm M6 x 30mm MB x4	Philips Screws M8 x 25mm M8 x 45mm MC x4	Spacers L10mm MD x8	Washers Ø6mm M4-5-6 ME x4	Spacers L5mm MF x8

NOTE: Not all parts and hardware included will be used.

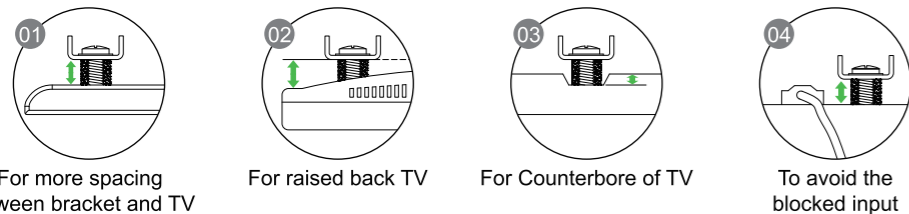
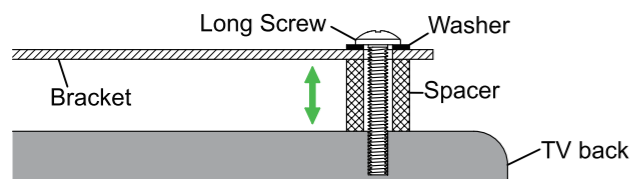
STEP 1 Attach the TV Brackets

1-1 Select TV Screws, TV screws specification can be found in your TV user manual

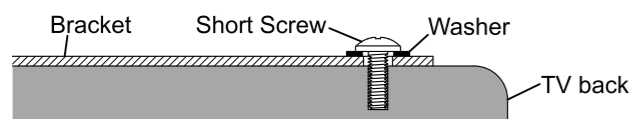


1-2 With or without spacers.

I Yes, choose the appropriate screws, washers, and spacers for your TV.

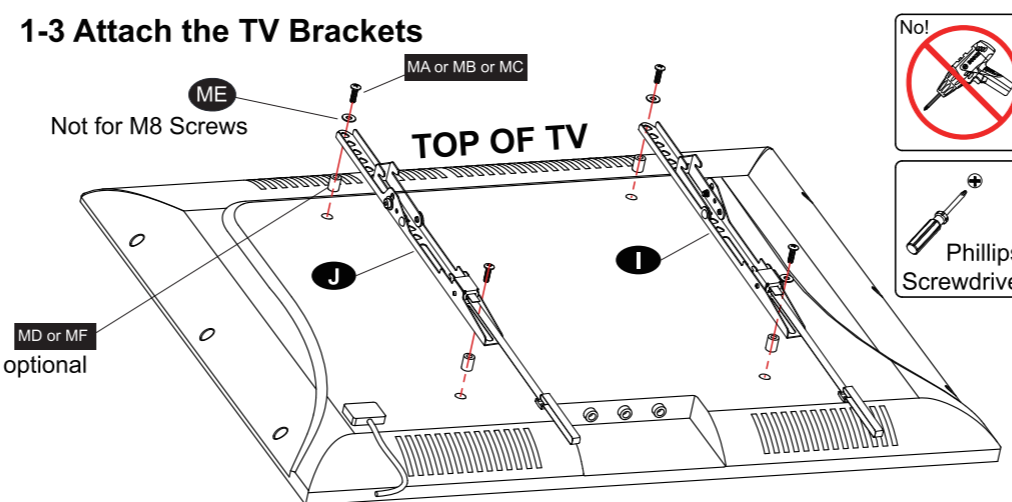


II No, just choose the screws, washers.



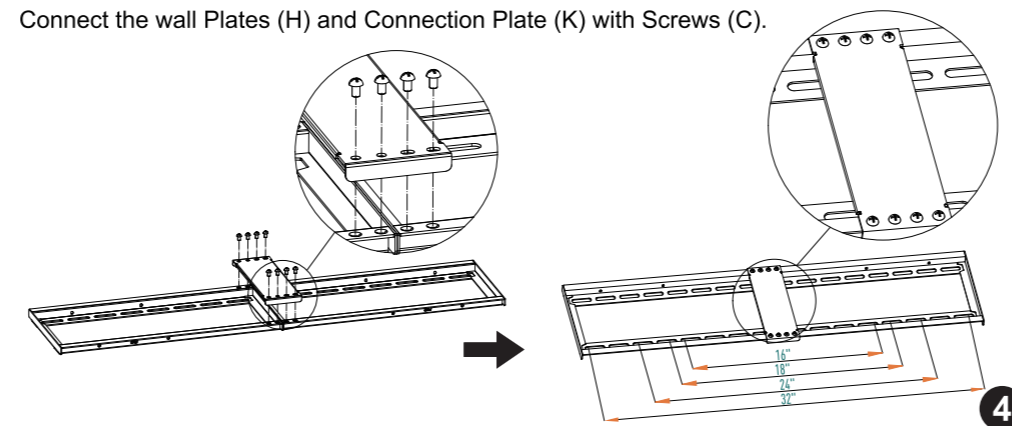
STEP 1 (Continued)

1-3 Attach the TV Brackets



STEP 2 Attach Wall Plate to Wall

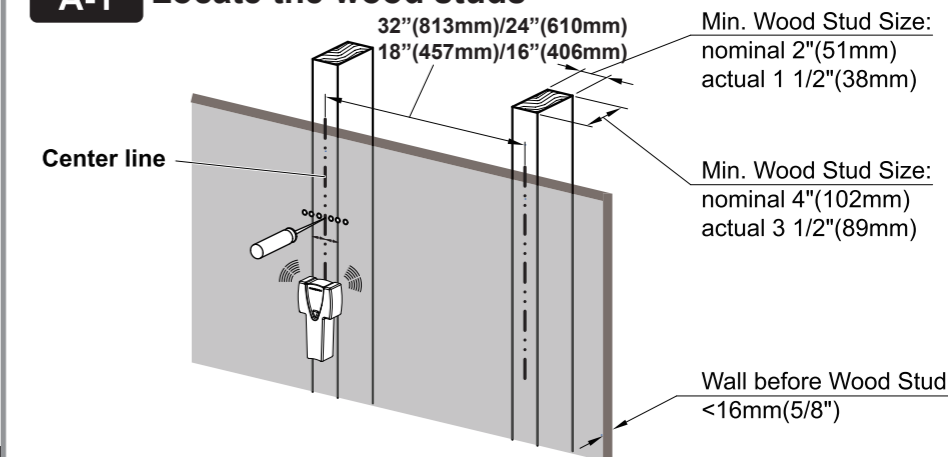
Connect the wall Plates (H) and Connection Plate (K) with Screws (C).



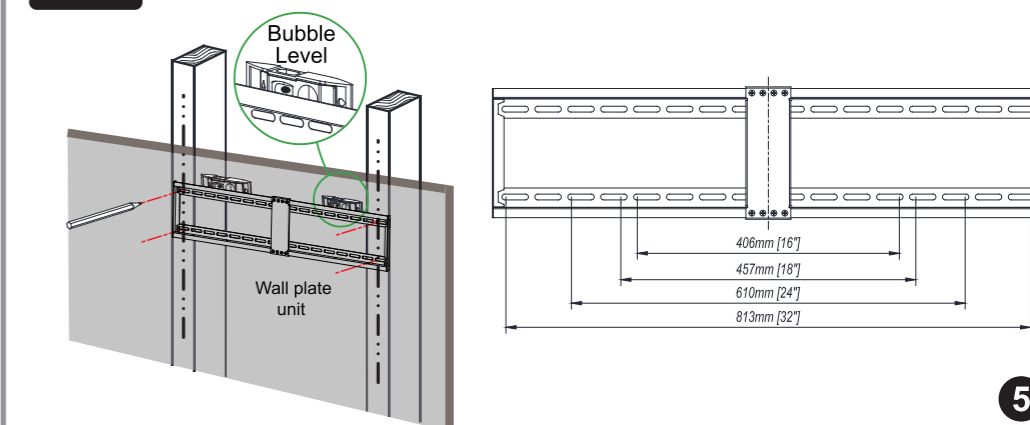
STEP 2 (Continued)

OPTION A: Wood Stud Installation

A-1 Locate the wood studs

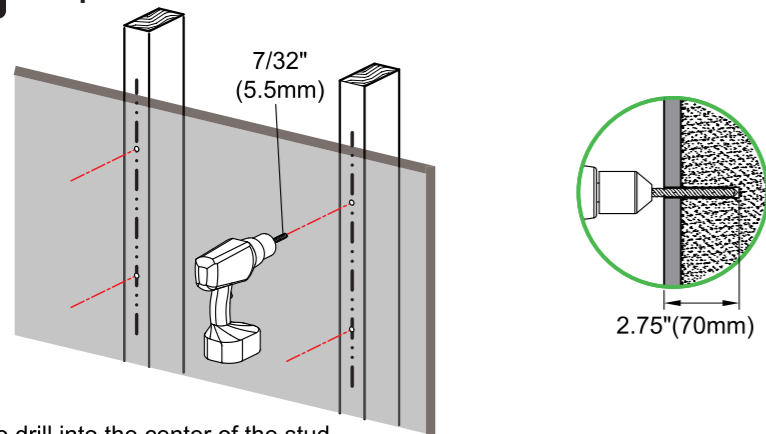


A-2 Align & mark mounting holes with wood studs.



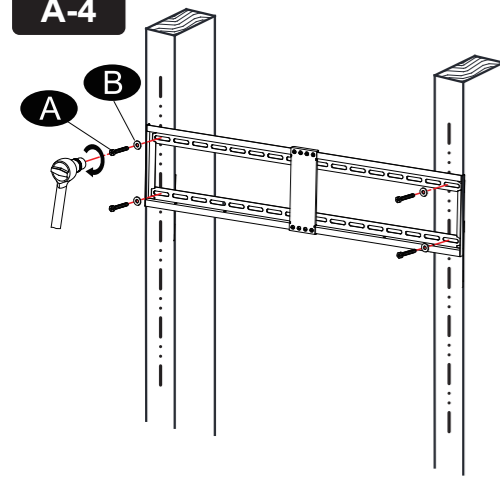
STEP 2 (Continued)

A-3 Drill pilot holes



Be sure to drill into the center of the stud.

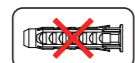
A-4



CAUTION: To avoid potential personal injury or property damage: All 4 lag bolts **A** **MUST BE** firmly tightened to prevent unwanted movement of the wall plate assembly. Ensure the wall plate assembly is securely fastened to the wall before continuing on to the next step.



No! Install wall plate using lag bolts and washer with Socket Wrench, NO Electrodrill.



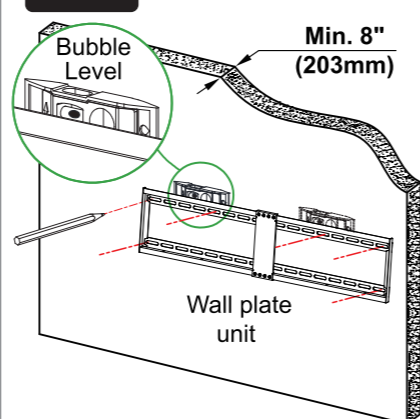
CAUTION: Do not use in drywall or wood.

6

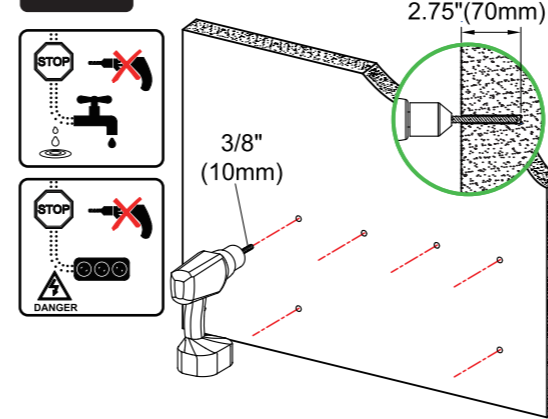
STEP 2 (Continued)

OPTION B: Solid Concrete or Brick Wall Installation

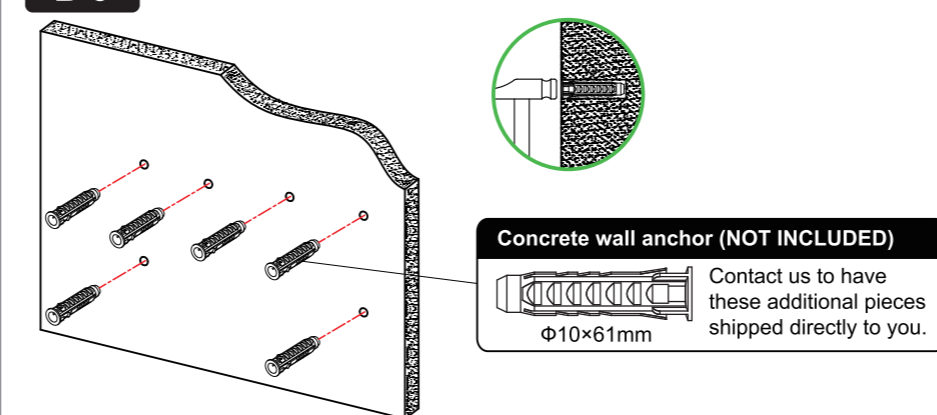
B-1



B-2

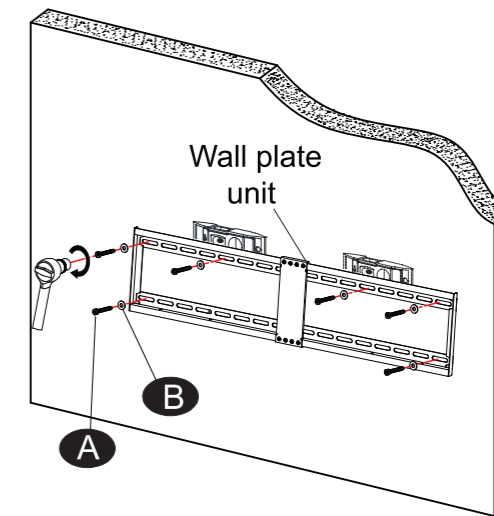


B-3



STEP 2 (Continued)

B-4



CAUTION: To avoid potential personal injury or property damage: All 6 lag bolts **A** **MUST BE** firmly tightened to prevent unwanted movement of the wall plate assembly. Ensure the wall plate assembly is securely fastened to the wall before continuing on to the next step.



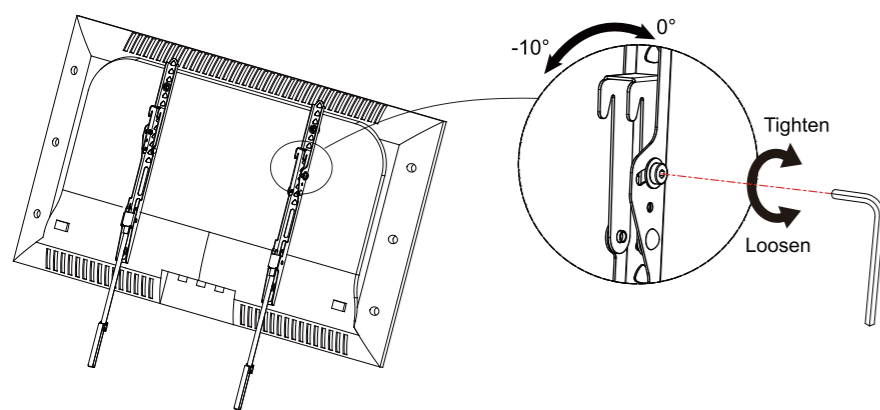
No! Install wall plate using lag bolts, washer and anchor with Socket Wrench, NO Electrodrill.

8

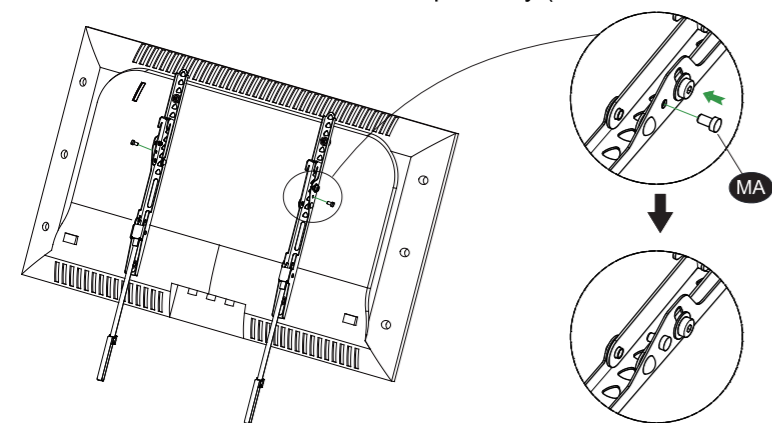
STEP 3 Adjustments

Tilting adjustment (-10°~0°)

Pull brackets to your desired angle then fasten 2 tilting bolts with Allen Key (G).



Option: To keep TV in vertical position, please use two M4 screws **MA** to insert the holes on two brackets respectively (as shown in below image).

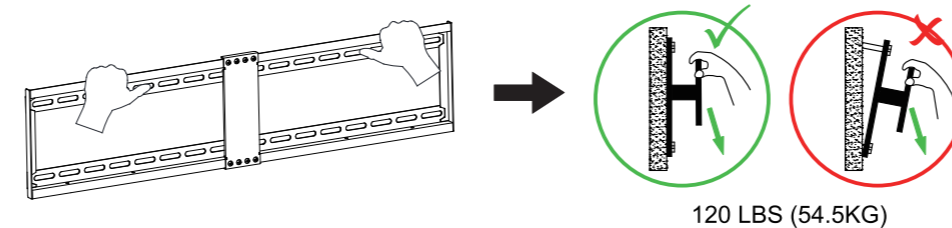


9

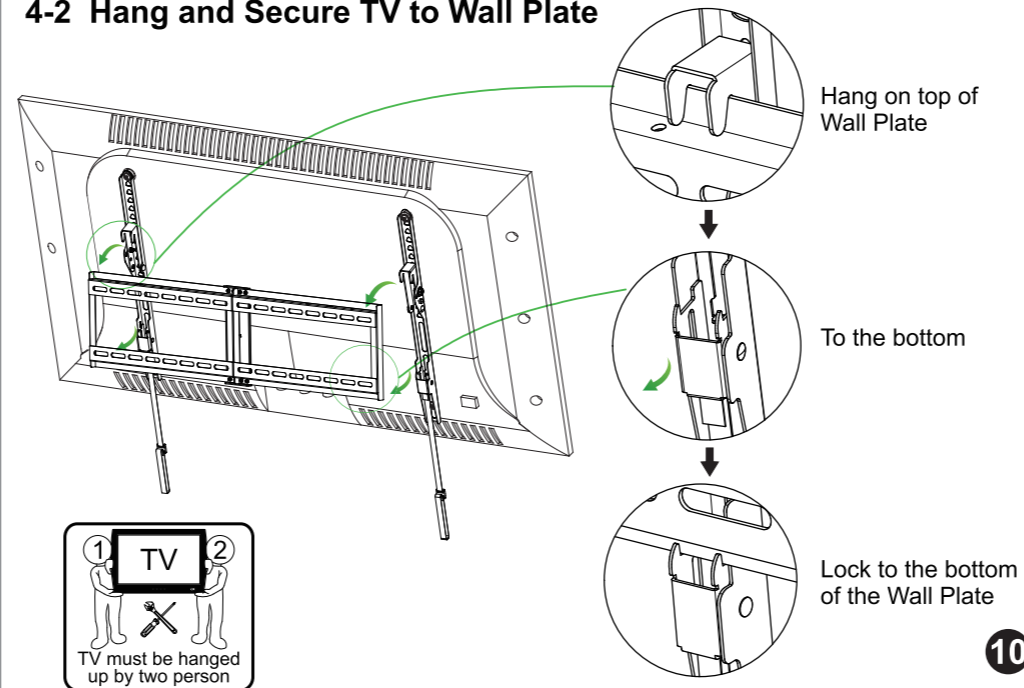
STEP 4 Hang and Secure TV to Wall Plate

4-1 Wall Plate Installation Integrity Test

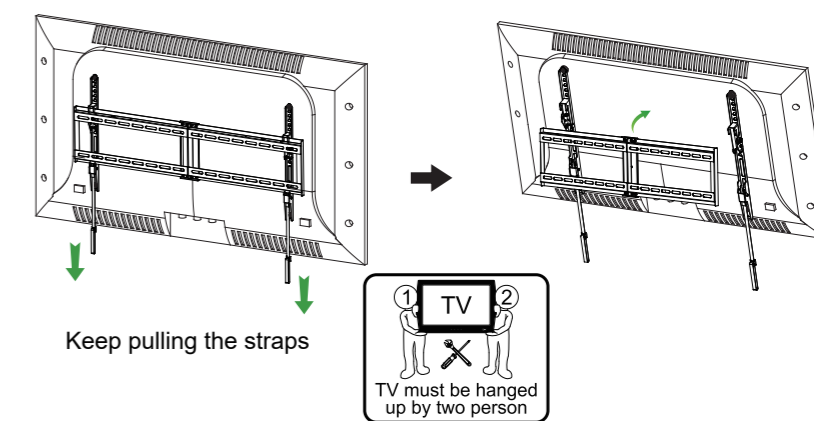
Before hanging TV, please conduct "wall plate installation integrity test" first.



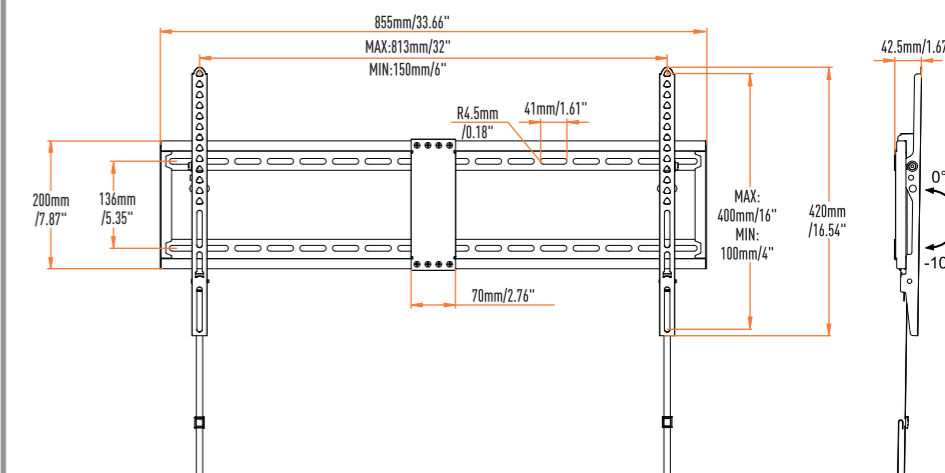
4-2 Hang and Secure TV to Wall Plate



Take down the TV from the Mount (If necessary)



Product Dimensions



11