

Spirit SuperSlim 2 Remote Control

- Modular Coal, Pebble & Ripped Coal

- Inset Live Fuel Effect Gas Fires



Installation and Users Instructions

This product is not suitable for primary heating purposes

These instructions should be read by the installer before installation and then should be handed to the end user when the installation is complete.

This is an official requirement and is the responsibility of the fitter of this appliance.

Having installed the appliance, the installer should take the necessary steps to ensure that the user fully understands how to operate the appliance and is also made aware of the fire's basic cleaning and maintenance requirements.



SECTION	PAGE
Notes for the Installer and End User	3
Installation Requirements	4
Installation Procedure	5
Commissioning	6
Technical Data	7
Replacement Parts	7
Remote Control Component Layout	8
Trouble Shooting (GAS SAFE Engineer Only)	9
User Instructions	10
Cleaning and Maintenance	13
Fire Front Specifications	14
Coal Layout Instructions	15
Pebble Layout Instructions	17
RippedCoal Layout Instructions	19
Guarantee	21
Trouble Shooting (User)	21



THIS APPLIANCE IS INTENDED FOR DECORATIVE PURPOSES

This appliance has been designed, tested and manufactured to the European Standard EN509 relating to Decorative Gas Appliances and **must** be installed by a qualified GAS SAFE Registered Installer in accordance with the Gas Safety (Installation and use) regulations 1994 and all other relevant standards. The appliance has been tested for use in pre-cast block flues complying with BS 1289. In some instances of installation where a dry liner has not been used the normal high flue temperatures may cause cracking to surface plaster or lifting of the wall coverings.

This appliance must be connected in accordance with the National Regulations. The appliance must be sealed into a non-combustible fireplace (Fig. 2) whose only opening must be through a Class I (7" or 175mm diameter) or Class II (5" or 125mm diameter) pre-cast chimney / flue of at least three metres in height.

Before installation, ensure that the local conditions (identification of gas type and pressure) and the adjustment of the appliance are compatible.

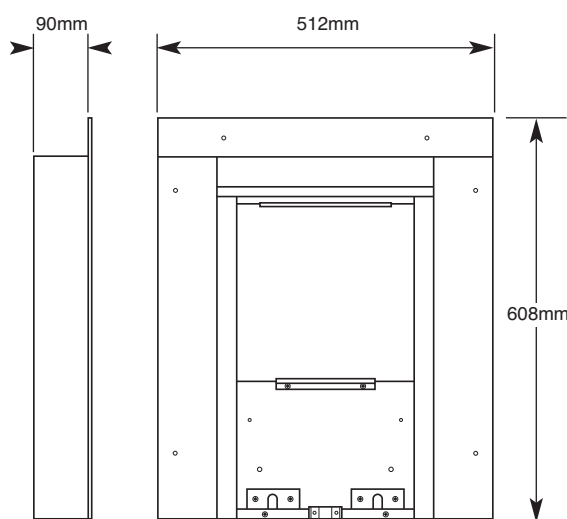


Fig. 1

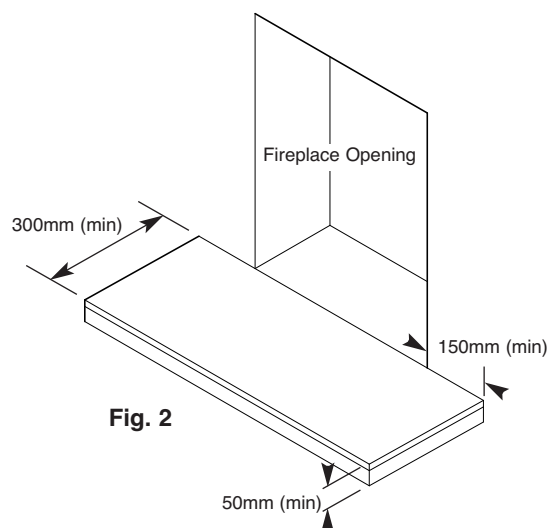


Fig. 2

An air vent is not normally required for this application because its input does not exceed 7kW. We recommend that the chimney/flue is swept prior to installation of this appliance and that any flue restrictor or damper plate should be removed or fixed in the open position. The chimney/flue must always generate a positive up draught to ensure safe operation.

The installer must then establish that all the products of combustion are entering the flue within five minutes of lighting from cold. This can be verified by traversing the canopy with a lighted smoke match (see 'Spillage Test' page 4).

An isolation valve must be fitted adjacent to the appliance. When closed, this will allow the complete burner and control assembly to be disconnected for maintenance or repair in accordance with national regulations.

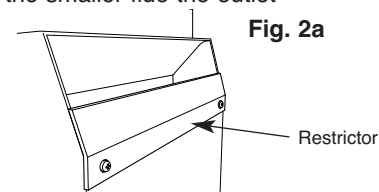
The gas supply should be provided by a semi rigid pipe with an 8mm diameter and should be no longer than 1.5 metres in length.

NOTE: When the gas supply pipe is passed through masonry or other brickwork always ensure that the end of the pipe is covered to avoid any debris passing through into the appliance controls. The appliance is fitted with an Oxygen Depletion Sensor (ODS) that monitors the room for products of combustion. If products are detected, the ODS will automatically shut down the appliance. If this situation arises, re-light the appliance, referring to the user instructions (page 10). If shut down re-occurs, a qualified person must be called to thoroughly check the appliance. The spillage monitoring system (ODS pilot) must not be put out of operation or be tampered with or adjusted by either the installer or the user. If the unit is found to be at fault it should be replaced with the manufacturers original replacement parts.



This appliance must only be installed in Great Britain or Ireland.

1. This appliance is a natural gas appliance only and has been designed for use with the following applications:
 - a) **Class I** - Conventional brick or stone chimney as used for a solid fuel fire with a cross sectional dimension of 225mm x 225mm (9" x 9") or a lined flue with a minimum diameter of 175mm (7"), with the fireplace components conforming to BS1251, or a builders opening a minimum of 560mm high and 335mm wide with a minimum depth of 110mm to allow sufficient volume for debris collection. To obtain this depth it would not normally be necessary to remove the chair brick. Any permanent flue restrictions or variable dampers are to be removed or locked in the fully open position. The chimney should also be swept prior to installation.
 - b) **Class II** - A double walled or insulated metal flue box built to the requirements of BS715 with an insulated flue having a minimum diameter of 125mm (5") and a minimum effective overall height of 3 metres (10').
 - c) **Pre-cast Flue** conforming to BS 1289 Part 1 (It may be necessary to use a surround with a deeper rebate than usual to accommodate a flush fit with certain starter blocks. Check the appliance dimensions against individual applications. Pre-cast flue block systems should comply with BS EN 1806 (clay/ceramic) or BS EN 1858 (concrete). The flue area measurement is taken on the rectangular section above the gather block (length x depth). The cross sectional area on post 1986 systems should not be less than 16500mm sq with a minimum internal dimension 90mm. Gas operatives need to be aware that before 1986 the cross sectional area specification was 13000mm sq with the minimum dimension of 63mm. In the case of the smaller flue the outlet restrictor plate **MUST** be fitted (see Fig. 2a).



2. A non-combustible hearth must be provided to comply with current building regulations. Care should be taken to prevent any damage being caused to surrounding soft furnishings or decoration, e.g. many embossed vinyl wall coverings may become discoloured if placed too close to the appliance.
3. A suitable proprietary fire surround with 100°C rating may be used with a minimum clearance from hearth to underside of shelf of 830mm, providing that the depth of shelf is 150mm or less.
4. Where the shelf depth is greater than 150mm, the minimum height clearance should be increased by 25mm increments for each additional 12.5mm of shelf depth.
5. Minimum width between vertical sides of combustible surround should not be less than 800mm provided the appliance is central to the surround and the surround legs do not exceed a 150mm profile.
6. If the 150mm profile is exceeded, the width of the surround (and the back panel) should be increased by 25mm for each additional 12.5mm of profile depth.

FLUE FLOW TEST

A flue flow test (smoke test) is carried out to check the effectiveness of the flue and to ensure that there is no leakage into another part of the premises (including any loft), or as appropriate other adjoining premises (this is particularly important where a number of chimneys combine into a multiple stack).

The flue flow test should be carried out using a suitable smoke pellet which the pellet manufacturer claims to generate 5m³ of smoke in 30 seconds burn time.

These gas fires should have the flue flow test carried out with the appliance in position but not connected to the gas supply so that the smoke test can be carried out with representative flue flow conditions.

A warm flue will be more effective than a cold flue. If the flue is reluctant to draw, which can be initially assessed by lighting a smoke match at the intended position of the appliance flue connection, introduce some heat into the flue for a minimum of 10 minutes using a blow torch or other means.

Other factors, such as weather conditions and a combination of materials used to construct the flue can all influence the flue draught. The pre-heating process may require as much as half an hour before the flue behaves satisfactory as a blow torch does not represent the volume of heat consistent with the normal appliance operation. A Flue Flow Test should be checked as follows:

1. Carry out those visual checks as indicated previously, and continue only if satisfactory.
2. Establish that an adequate air supply is available for the combustion of the appliance
3. Close all doors and windows in the room that the appliance is to be installed.
4. Light a smoke pellet at the intended position for the appliance. Place the inset fire case into position.
5. The test is satisfactory if:
 - there is no significant escape of smoke from the appliance position.
 - there is no seepage of smoke over the length of the flue.
 - smoke is discharged only from the correct terminal.

VENTILATION

No special ventilation bricks or vents are required in the room containing the appliance, providing that normal adventitious room ventilation exists. The installer must determine this by carrying out a spillage test.

SPILLAGE TEST

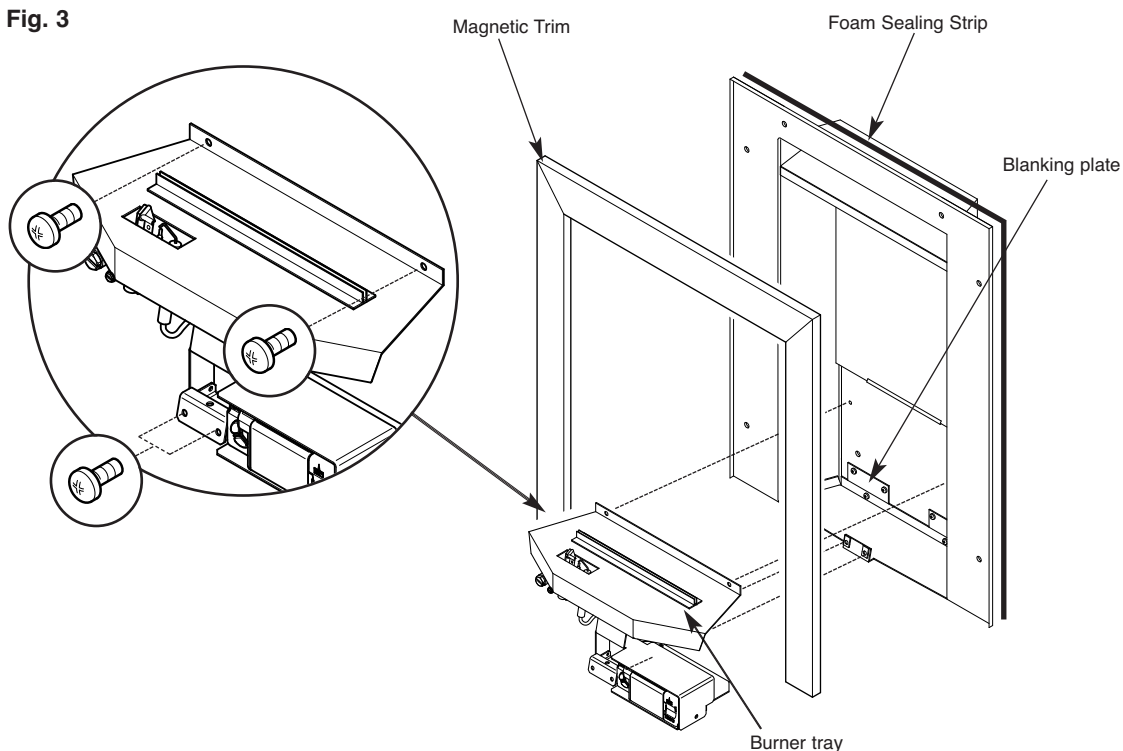
To check for satisfactory clearance of products of combustion, close all doors and windows and leave the fire burning for five minutes. Insert a lit smoke match on a vertical plane 50mm down, 50mm inside the canopy opening. All the smoke must be drawn into the flue. If spillage occurs, allow a further ten minutes and repeat the test. Should spillage still occur turn the appliance off and seek expert advice.

To continue the test: If an extractor fan is situated in the room the test should be repeated with the fan running. If there is a connecting room with an extractor fan the test should be repeated with all the doors to that room open and the extractor fan running.



1. Carefully lift the appliance out of the packaging taking care not to damage the ceramic components in the separate carton.
2. Remove the magnetic trim and store to one side to prevent any damage.
3. Cut the foam sealing strip (in plastic bag supplied) to length and stick a continuous strip down the two sides and across the top of the radiant box. When the box is placed against a flat surface the foam strip will form a seal around the boxes flange.
4. Carefully lift the appliance into position in the fireplace opening and check that the flange of the radiant box fits flush against the sealing face with no gaps present.
5. Remove the four screws that secure the burner tray to the box, two on the front leg and two at the rear of the tray. Remove the burner tray and place to one side (Fig. 3).

Fig. 3



6. When the burner tray has been removed, decide which side of the appliance the gas supply will be entering the radiant box and remove the relevant blanking plate (left or right hand side). The gas supply should be concealed as much as possible.
7. With the radiant box placed in the opening, mark out four of the eight fixing holes. Remove the box and carefully drill and fit rawl plugs.

8. Pass the 8mm gas connection through the back of the box and secure the box into place using four screws (straight shank screws are recommended for marble). Check that the outer flange of the appliance is completely sealed against the back panel.

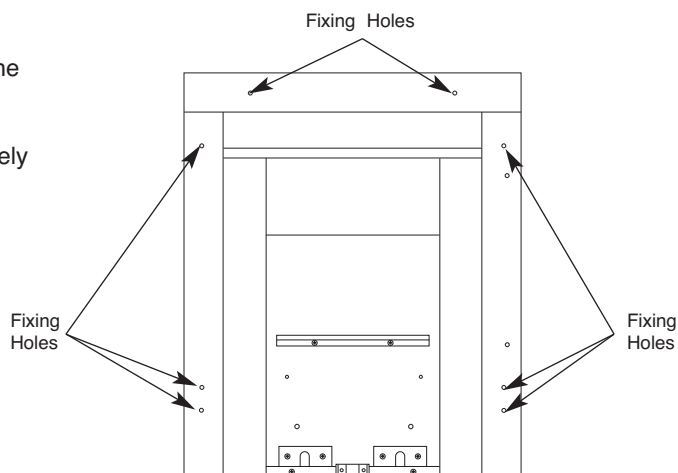


Fig. 4



ALTERNATIVE FIXING METHOD

Where the drilling of the back panel is not practical, an alternative fixing method may be employed using the **optional** cable fixing kit provided. Drill four holes in the rear of the fireplace opening (Fig. 5). Securely fix the four eye bolts provided using suitable rawl plugs. Feed one cable through each of the top holes in the rear of the fire box.

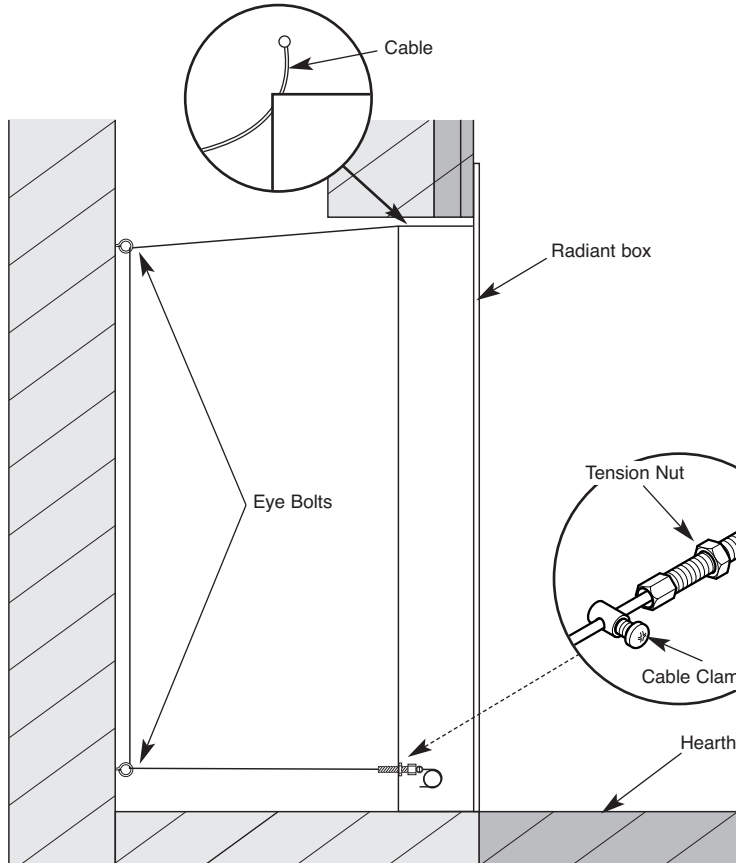


Fig. 6

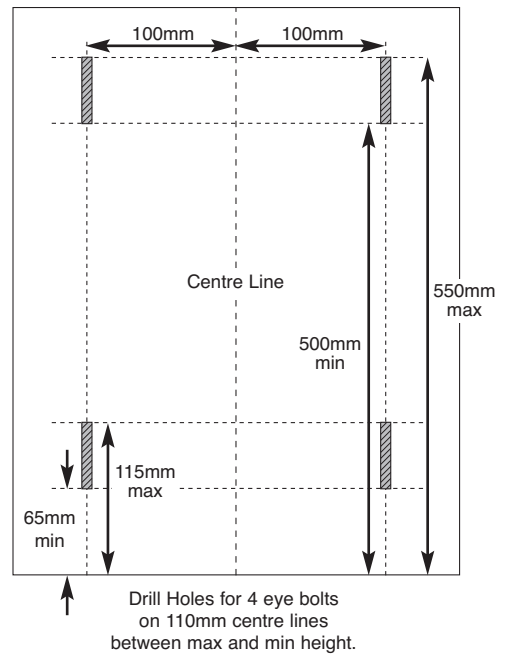


Fig. 5

Fix the radiant box into the opening, securing into position using the cable fixing kit (Fig. 6). Do not cut off the loose ends as the full length is required should the radiant box need refitting at any time. Coil up and securely store underneath the burner tray.

1. Position the burner tray into the box in order to determine the length of 8mm gas supply needed and cut to length.
2. Before making the final connection, thoroughly purge the supply pipe to clear any foreign matter, i.e. masonry dust etc, as this could lead to blockages in the control valve and/or pilot assemblies.
3. Fix the burner in place using the four screws and make the gas connection. Carry out a gas soundness test.

COMMISSIONING

1. Unscrew the pressure test point sealing screw (Fig. 7) and fit a manometer. Consult the user instructions (page 10). Ignite the appliance and turn to the high position.
2. Take a pressure reading and consult the technical data (page 7) to establish the correct working pressure.
3. Once the pressure has been checked and verified, turn off the appliance. Consult the ceramic component set up diagrams (pages 15-20) and fit the ceramics as per the instructions.
4. Carry out a Spillage Test (page 4).

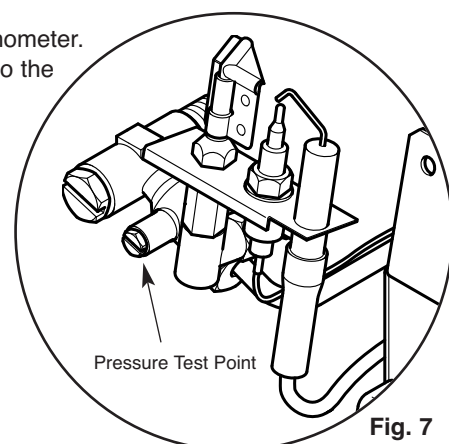


Fig. 7



Gas Type	Natural Gas (G20) Cat I ₂ H
Gas Connection	8mm
Number of Injectors	One
Injector size	Stereomatic 065
Control Max Operating Temperature	80°C
Inlet Pressure Cold	20 mbar (8" W.G.)
Heat Input (Gross)	5.5 kW
Weight	8 kg

REPLACEMENT PARTS

1. **Front Coal & Fuel Bed** - All these ceramic components can be replaced at service intervals depending on their condition. If the coals do require replacement, the consumer can do so provided that the Ceramic Component Layout Instructions (pages 15-20) are adhered to. Only genuine Legend replacement parts should be used.

Order Ref: **SSFC02, SSCM03,**

2. **Oxygen Depletion Sensing Pilot** - In the unlikely event of a pilot failure, the pilot assembly should only be replaced by a **GAS SAFE Registered Engineer**. The user must not carry out this work.

Order Ref: **ETH01**

3. **TESC Valve** - In the unlikely event of valve failure, the assembly should only be replaced by a **GAS SAFE Registered Engineer**. The user must not carry out this work.

Order Ref: **ETH02**

4. **Handset** - Order Ref: **ETH03**

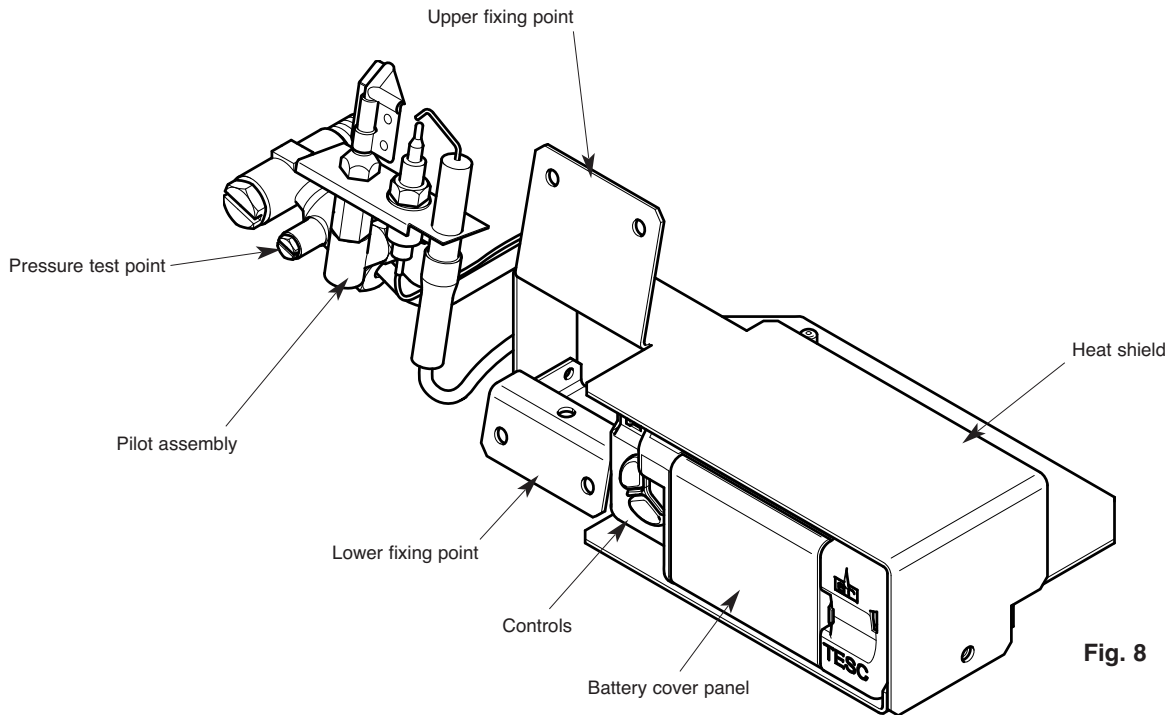


Fig. 8

In order to access:

- a. Pilot Assembly (including thermocouple)
- b. Controls

It will be necessary to dismantle the burner tray. Please use the following procedure.

1. Ensure the appliance has fully cooled down.
2. Isolate gas supply.
3. Remove all the ceramic components off the fire and carefully placed to one side.
4. Working from the front of the fire, remove the lower fixing bracket screws and the two screws at the rear of the tray.
5. Disconnect the 8mm gas supply pipe using a 15mm spanner. This should then enable the burner to be removed from its housing.

Break-down for access to components

1. Working from the front of the fire remove the two upper fixing point screws.
2. Remove the two pilot assembly screws.
3. Working from the rear of the burner tray, remove the two silencer bracket screws.
4. Slide the silencer (white ceramic block) upwards which will then give you open access to the main gas injector.
5. Remove the locking nut and washer using a 14mm spanner.
6. Remove the burner tray from the controls to gain access to the connections on the rear of the control unit.
7. The control unit will slide forward off it's retaining tab.
8. Re-assembly is the exact reversal of the above procedure.



SERVICING MUST ONLY BE CARRIED OUT BY A GAS SAFE ENGINEER.

NOTE: Before undertaking any actions on the servicing, replace the batteries in the control and handset (if applicable) with new batteries.

Faulty batteries will cause errors. ALWAYS CHANGE ALL OF THE BATTERIES TOGETHER. USE THE SAME MAKE AND TYPE (I.E MANUFACTURER AND MODEL TYPE).

The Red LED on the control mirrors the Red LED on the handset.

Errors

The Red LED flashes:-
Once every ten seconds = weak battery on control.
Twice every ten seconds = weak battery in handset.
Three times every ten seconds = all batteries are weak.

If these flashes are ignored then eventually the controls will flash red every second, meaning “all other error codes”.

After a start attempt:

No Red LED = completed a successful start sequence.

Permanent Red LED:- Failed to light pilot flame and complete ignition sequence
- Reason: no gas, blocked or faulty pilot.

Flashing each second:- All other error codes (note: this is where a service engineer can pair a display handset and read out the E number).

During start sequence:- Very fast – at initial point of start sequence - controls analysing - preparing to start (or in recycle sequence, if not lit on first attempt).

Very fast, then slower:- Sparking ignitor, waiting for a flame signal – goes out after pilot flame sensed on flame rectification.

During Paging

Pressing + button only on controls for 5 seconds, lights alternative flash red then Green LED every second and handset makes siren noise. Stops when picked up or after 1 minute, whichever happens first.



Warnings

A suitable guard may be required to take account of special hazards that exist in nurseries and other places where there are young children, aged or infirm persons.

Curtains are not to be placed directly above the appliance.

It is recommended that combustible materials are not placed directly above this appliance.

Do not throw rubbish on or otherwise disturb the fuel bed.

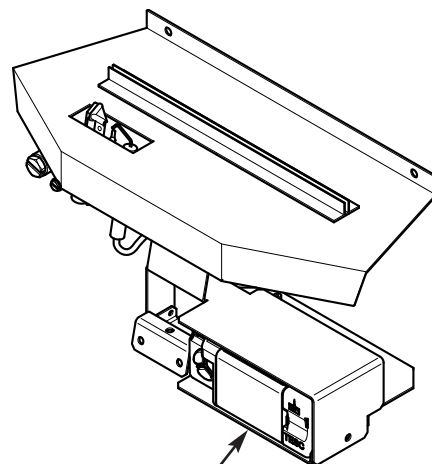


Fig. 9

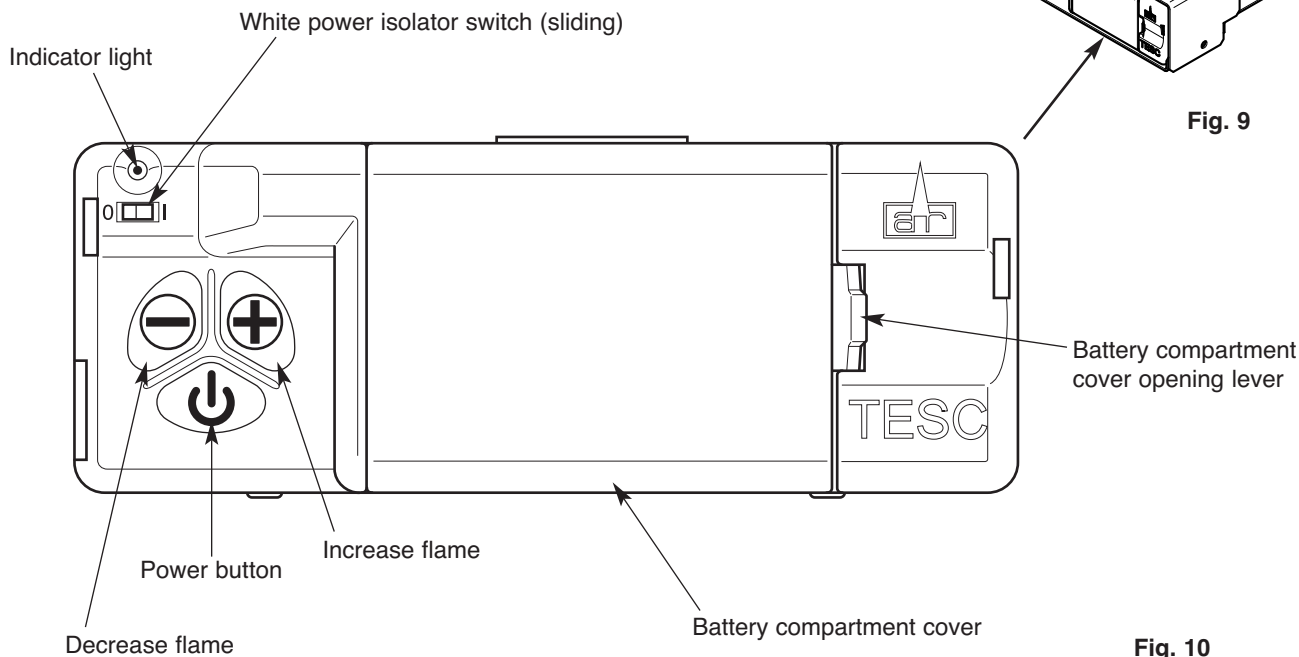


Fig. 10

Starting the fire using the built in controls

Check the power isolator switch is in the On position (I).

To start the fire, press the power button and hold for 1 second then release. The burner will light within around 1 to 10 seconds, adjust to the maximum power setting.

The power of the burner can be adjusted up and down by pressing the – and + buttons.

To stop the fire, simply press the power button again and the burner will stop.

If for any reason the fire should be switched off, either intentionally or unintentionally, no attempt should be made to re-light the gas until at least 3 minutes have elapsed.

If you are not intending to use the fire for a long period (i.e. over summer time months), the battery life can be extended even more by sliding the white isolator switch to the left (away from the On position to (O)).

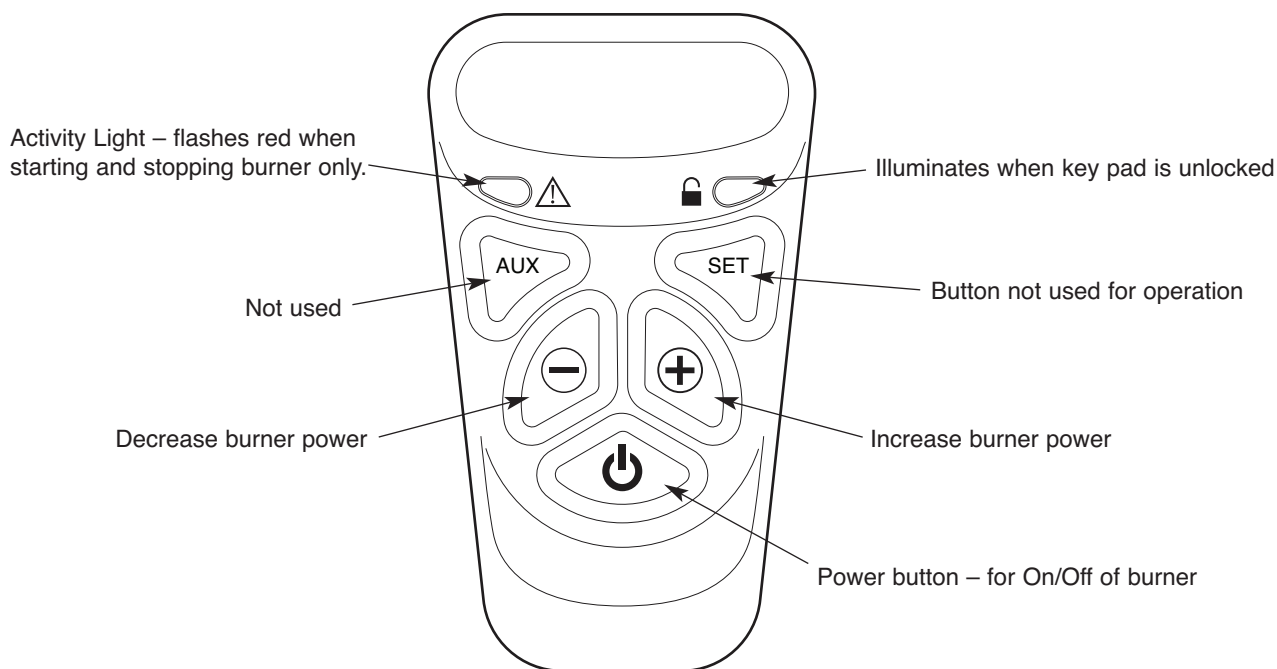


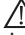


Fig. 11

Starting the fire using the remote handset

By holding the handset, the green unlock light  should illuminate. With the other hand Press and keep pressed the power button  continuously until the red Activity light illuminates next to the  symbol (this takes typically 1-2 seconds). As the red light illuminates release the power button immediately. While the burner is lighting the red light will flash. When the burner has lit the red light will stop completely. The burner will be at maximum burner rate when first lit. You may now put the handset down or regulate the burner by pressing the + and – buttons. No buttons will operate on the handset without the handset being held as described and the unlock feature activated.

Note: If the power button is pressed differently to the above i.e. pressed for too long or too short a time or the grip on the handset is not firm or released too soon, the Ignition will be interrupted and not complete. The reason for the remote control having this strict start sequence is for safety reason so that the starting operation of the fire will be most unlikely to be done other than intentionally by an adult. If not done correctly , wait a few seconds and try again.

Burner regulation

When the burner is in operation, hold the handset as described above to unlock the keypad and then press and release the + and – buttons to regulate the flame of the burner. Pressing and releasing the button will move the burner one step at a time. Pressing the button continuously will move the burner rate to the maximum full when pressing + or minimum burner power if pressing -.

Stopping the burner

Pick up and hold the handset as described above to unlock the keypad. Press and then release the power button once. The handset will beep and the burner will stop.

Paging the handset

If you have misplaced the handset you can page it by pressing the + button only on the fire control for around 5 seconds. The handset will make a noise to help you to locate it. Once you pick up the TESC it knows you hold it and so the sound stops. The flashing and sound will last for 60 seconds each time the handset is paged as described. If not found in 60 seconds, page again and so on. NOTE: PRESS “+” Button ONLY , NOT “+” and “-” Together as you will accidentally break the handset pairing and have to reset handset to factory state and pair again (see page 12).



Pairing a new handset if pairing broken

Breaking a pairing on handset

To reset the handset to factory conditions (to enable the handset to be paired again with the same or another fire for example), hold handset to unlock, press and hold pressed for at least 10-20 seconds the SET button. The green and red lights will start to flash . They will flash for 1 minute and during this minute if you want to reset the handset, open the battery box and remove a battery for a few seconds. Replace the battery and cover, the handset will now be reset and ready to pair as a new handset to another (or the same) fire as shown in pairing section.

To make a pairing

If not already fitted with batteries, remove the back panel and insert two AA Alkaline batteries in the direction shown by the symbols moulded into the compartment and replace the cover.

Hold the handset with one hand ensuring your hand is wrapped around the back and that your hand is in contact with both sides of the handset. The green light of the “Unlock” symbol should light and flash continuously. The flashing indicates that it is not paired with anything at the moment and is ready to be paired.

Put the handset down within 1 metre of the Fire that you wish to pair the handset with.

Press the + and – buttons on the Fire Control (i.e. not the + and – buttons on the handset), until the red light comes on the control and immediately press the power button on the control to initiate the pairing request.

(there is a 2 second time window to press the power button from the first red light flash. If this time window is missed, the pairing operation is cancelled).

The handset should make a noise and the green “Unlock” light should be flashing even without holding the handset.

The handset has received a pairing request and to accept this pick up the handset and hold as described above to keep the keypad unlocked and press and hold the “SET” button for 3 seconds.

You will hear a beep and now the handset is paired to the fire control. The unlock green light will stay permanently lit and steady when holding the handset.

Pairing is complete.



Legend Gas Fires recommend that this appliance is serviced at regular 12 monthly intervals. The chimney or flue should also be checked regularly to ensure that all products of combustion are entering the flue and there is no excessive build up of soot.

It is the users responsibility to ensure that the appliance is kept in a clean serviceable condition.

1. **Ceramic Components and Fuel Bed** - Debris from any source should be removed with a soft brush. Please ensure that any debris including soot deposits are removed from the appliance and not left on the fuel bed. It is recommended that the user should, on a regular quarterly basis, carefully remove all ceramic components and thoroughly clean the stainless steel burner strip and the pilot assembly. Any build up of debris in this area could affect the operation of the appliance.

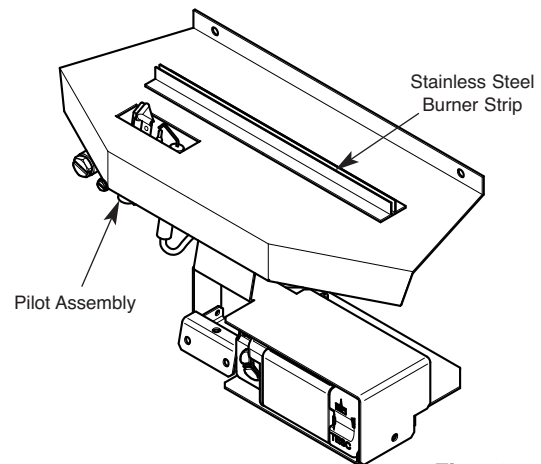


Fig. 12

NOTE: It is common to find surface cracks in the ceramic components. This is due to the expansion and contraction of the ceramic fibres caused by the intense heat that the burner generates. The cracks will not affect the safe operation of this appliance. However great care must be taken when handling the ceramic components as they will break if handled incorrectly. Do not use a vacuum cleaner to clean the ceramics.

2. **Radiant Box Ceramic Liners** - Use only a soft brush to remove any soot deposits from the ceramic liners during cleaning as this is the only method that can be used to remove deposits. The ceramic liners are very delicate and should be treated accordingly.

3. **Brass Trims and Frets** - The brass trim and fret should be removed from the appliance for cleaning, please ensure that the appliance has cooled thoroughly. Polished metal trims and frets are not lacquer coated and therefore require polishing. It is recommended that a good quality metal polish is used.

4. **Changing the batteries** - When the batteries are becoming discharged, unclip the cover and replace the batteries with good quality alkaline or lithium - 3 x 1.5V AA (Fig. 13).

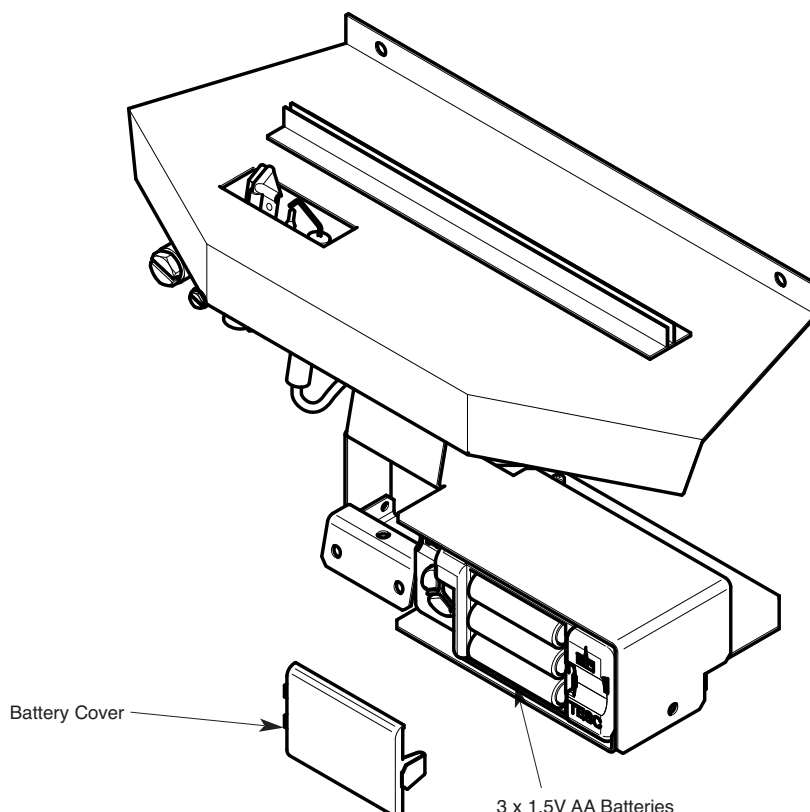


Fig. 13

FIRE FRONT SPECIFICATION



Fire fronts are now available in many different designs and finishes. The user can now choose their own particular style of fire front to suit their individual fireplace setting, providing the fire front complies with the following dimensions -

Fire Front -	(X) Max: 210mm	Min: 190mm
Ash Pan Cover -	(W) Max: 90mm	Min: 65mm
	(Y) Max: 345mm	Min: 320mm

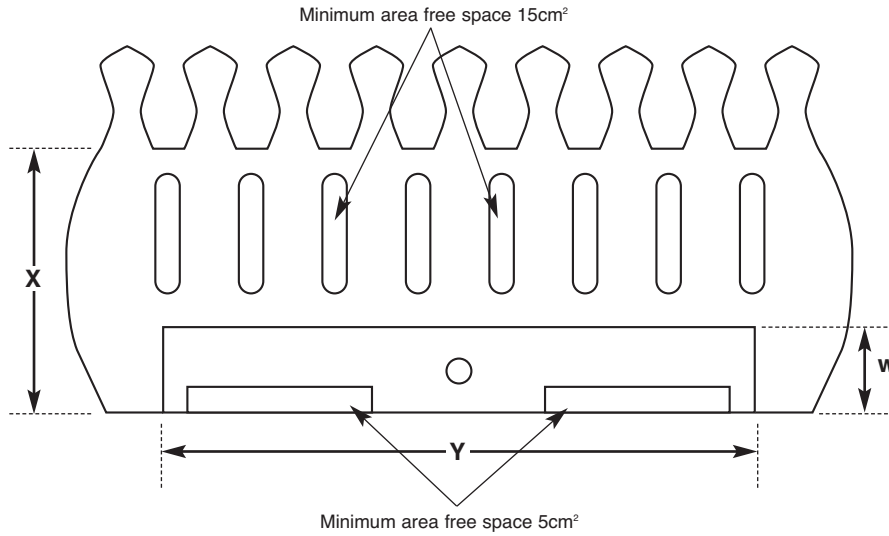


Fig. 14

SAFETY WARNING - This appliance has a naked flame and as with all heating appliances a fireguard should be used for the protection of children, the elderly and infirm. Fireguards should conform to BS 6539 (1984 Fireguards for use with solid fuel appliances). This fire is not fitted with an integral guard. In normal use consideration may be given to the use of a fireguard conforming to BS 6539, such that the approach to the naked flame is minimised.



CAUTION: The coals are extremely fragile and must be handled accordingly. Gloves should be worn and any inhalation of dust should be avoided. Never put additional coals on the fire. Never use coals other than those originally supplied, or genuine Legend Spare Parts.

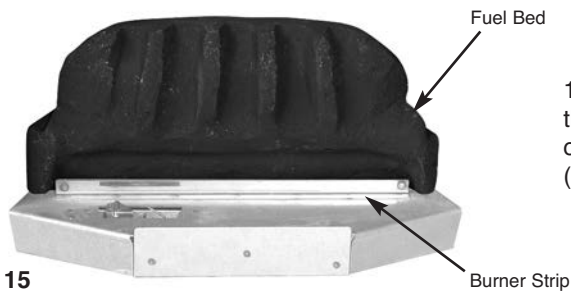


Fig. 15

1. Place the main fuel bed on to the middle section of the metal burner tray. It is important that the front edge of the fuel bed is located behind the burner strip (Fig. 15).



Fig. 16

3. Position the front coal piece on the front coal retainer, making sure that the back edge is pushed up against the front of the burner strip (Fig. 16).

4. Locate the remaining coal pieces in order as shown in Figs. 17 & 18.



Fig. 17



Fig. 18



5. Finally check that all the coal pieces are 'nested' together correctly (Fig. 19).



Fig. 19

It is very important that all the coals are used and arranged as shown in order to achieve the desired flame picture.

It may be necessary to remove some or all of the coals to clean them at some time. Cleaning must only be done using a soft brush.

Ceramic touch-up dye is available from Legend Fires.



CAUTION: The pebbles are extremely fragile and must be handled accordingly. Gloves should be worn and any inhalation of dust should be avoided. Never put additional pebbles on the fire. Never use pebbles other than those originally supplied, or genuine Legend Spare Parts.

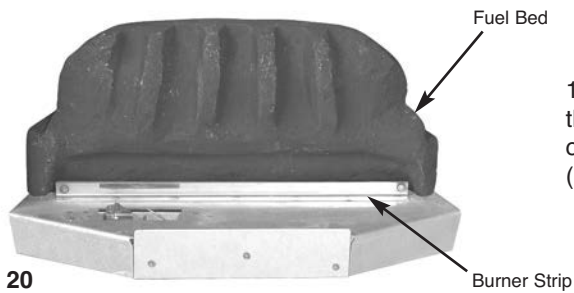


Fig. 20

1. Place the main fuel bed on to the middle section of the metal burner tray. It is important that the front edge of the fuel bed is located behind the burner strip (Fig. 20).



Fig. 21

3. Position the front pebble piece on the front coal retainer, making sure that the back edge is pushed up against the front of the burner strip (Fig. 21).

4. Locate the remaining pebble pieces in order as shown in Figs. 22 & 23.



Fig. 22



Fig. 23



5. Finally check that all the pebble pieces are 'nested' together correctly (Fig. 24).

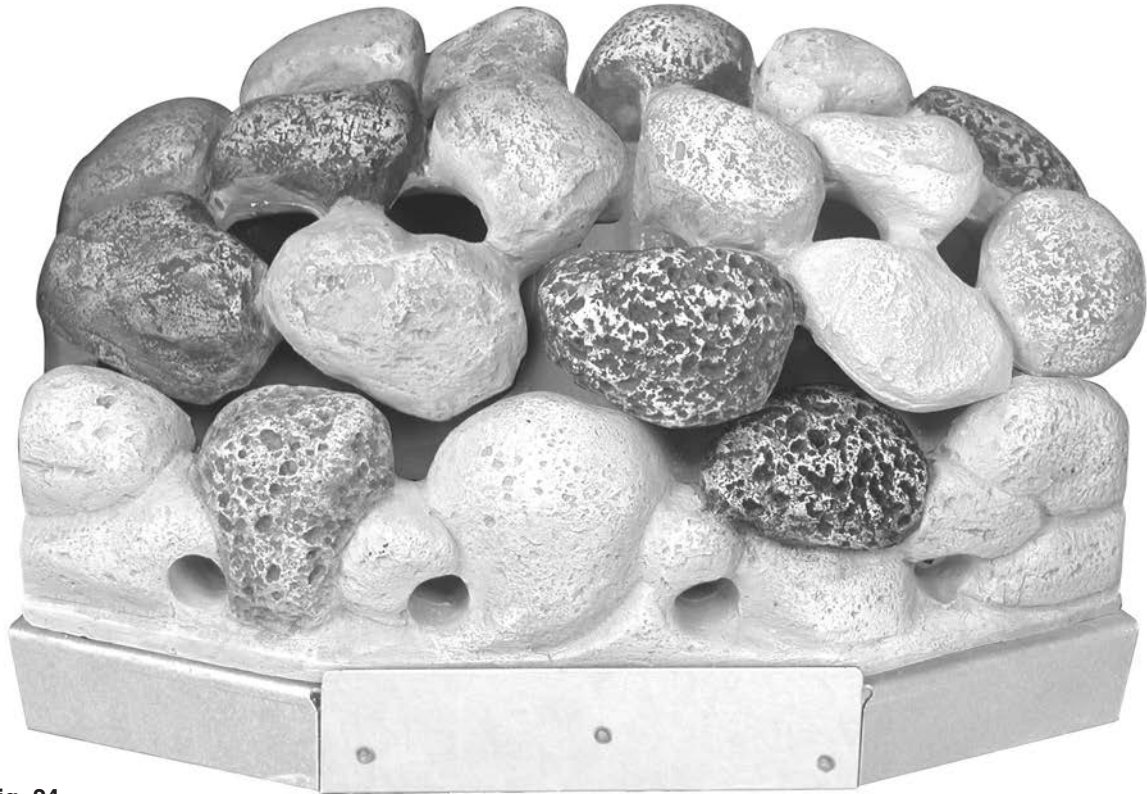


Fig. 24

It is very important that all the pebble are used and arranged as shown in order to achieve the desired flame picture.

It may be necessary to remove some or all of the pebbles to clean them at some time. Cleaning must only be done using a soft brush.

Ceramic touch-up dye is available from Legend Fires



CAUTION: The coals are extremely fragile and must be handled accordingly. Gloves should be worn and any inhalation of dust should be avoided. Never put additional coals on the fire. Never use coals other than those originally supplied, or genuine Legend Spare Parts.

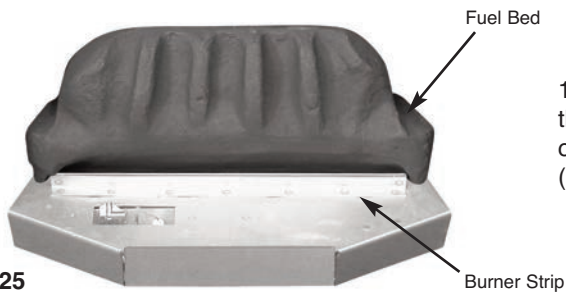


Fig. 25

1. Place the main fuel bed on to the middle section of the metal burner tray. It is important that the front edge of the fuel bed is located behind the burner strip (Fig. 25).



Fig. 26

3. Position the front coal piece on the front coal retainer, making sure that the back edge is pushed up against the front of the burner strip (Fig. 26).

4. Locate the remaining coal pieces in order as shown in Figs. 27 & 28.



Fig. 27



Fig. 28



5. Finally check that all the coal pieces are 'nested' together correctly (Fig. 29).



Fig. 29

It is very important that all the coals are used and arranged as shown in order to achieve the desired flame picture.

It may be necessary to remove some or all of the coals to clean them at some time. Cleaning must only be done using a soft brush.

Ceramic touch-up dye is available from Legend Fires.



Your appliance is guaranteed for one year from proof of purchase. Should the appliance prove defective within that period we agree to repair or replace (at our discretion) the component or appliance provided that:

1. The user can produce a receipt for proof of purchase/installation.
2. The appliance has been supplied by an authorised stockist and has been installed by a qualified installer, all installation and operating instructions have been strictly adhered to.
3. No alterations have been carried out on the appliance or component parts without our written consent.
4. The appliance has not been used for any purpose other than those intended.
5. The appliance has not been damaged accidentally or due to fair wear and tear.

Guarantee claims should be made through your appliance supplier. The Guarantee is restricted to UK Mainland and is additional to your statutory rights.

TROUBLE SHOOTING (USER)

1. The Fire will not light.

Remove the brass fret and check the pilot area for soot.
If soot is present remove all the loose coals and the front coal and thoroughly clean any debris in and around the pilot area.
If the fire will still not light contact your installer.

2. The flames appear blue - excessive soot deposits.

The ceramic components including the coal need relaying (pages 15-20).
Too much or too little room ventilation. Seek professional advice.

3. Roaring noise coming from the pilot.

The front coal is not seated correctly. Turn the appliance off and allow to cool down. Re-seat front coal, ensuring it is flat to the base of the front coal retainer (pages 15,17 & 19).

4. All the Ceramic Components are discolouring.

The ceramic sets and liners are all manufactured from ceramic fibre and its natural colour is white, dyes are used to give it a realistic appearance. These dyes discolour after they have been subjected to intense heat. However the discolouration does not affect the operation of the appliance. The realistic appearance can be restored with the use of a good replacement dye that can be purchased from most good fireplace showrooms.

Legendfires[®]

**Unit 404
Glenfield Park Business Centre
Blakewater Road
Blackburn
Lancashire
BB1 5QH**

Tel: **01254 695244**
Fax: **01254 695255**
Web: **www.legend-fires.com**
Email: **info@legend-fires.com**