

# Spirit Slide Control

- Coal, Pebble, Deluxe Pebble, Log, Modular Coal

- Inset Live Fuel Effect Gas Fires

---



## Installation and Users Instructions

These instructions should be read by the installer before installation and then should be handed to the end user when the installation is complete.

**This is an official requirement and is the responsibility of the fitter of this appliance.**

Having installed the appliance, the installer should take the necessary steps to ensure that the user fully understands how to operate the appliance and is also made aware of the fire's basic cleaning and maintenance requirements.



<b>SECTION</b>	<b>PAGE</b>
Notes for the Installer and End User	3
Installation Requirements	4
Installation Procedure	5
Commissioning	6
Technical Data	7
Replacement Parts	7
Trouble Shooting (GAS SAFE Engineer Only)	8
User Instructions	9
Cleaning and Maintenance	10
Ignition System Wiring Diagram	11
Fire Front Specifications	11
Coal Layout Instructions	12
Pebble Layout Instructions	14
Deluxe Pebble Layout Instructions	16
Log Layout Instructions	18
Modular Coal Layout Instructions	20
Guarantee	22
Trouble Shooting (User)	22

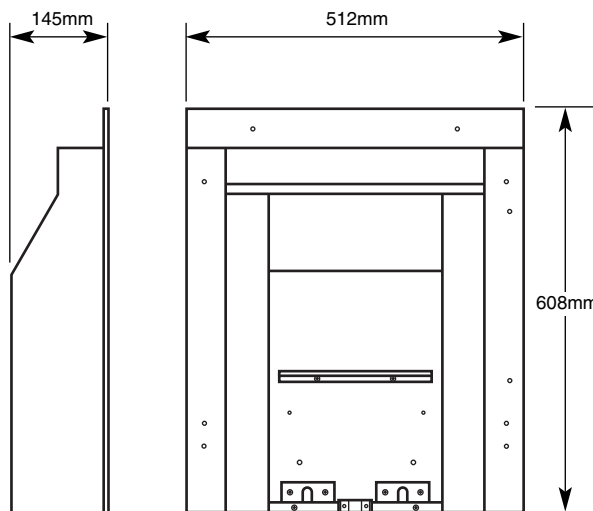


## THIS APPLIANCE IS INTENDED FOR DECORATIVE PURPOSES

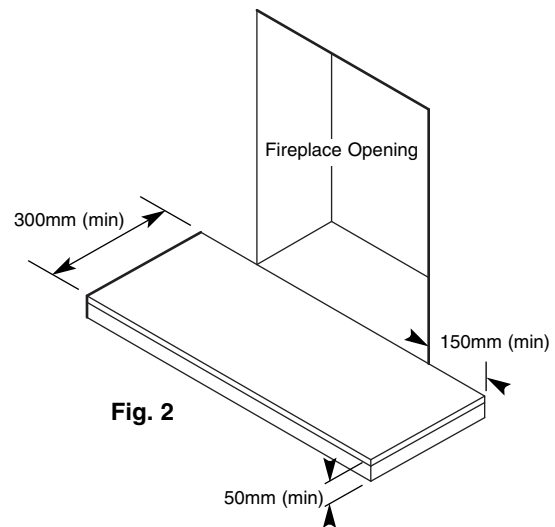
This appliance has been designed, tested and manufactured to the European Standard EN509 relating to Decorative Gas Appliances and **must** be installed by a qualified GAS SAFE Registered Installer in accordance with the Gas Safety (Installation and use) regulations 1994 and all other relevant standards. The appliance has been tested for use in pre-cast block flues complying with BS 1289. In some instances of installation where a dry liner has not been used the normal high flue temperatures may cause cracking to surface plaster or lifting of the wall coverings.

This appliance must be connected in accordance with the National Regulations. The appliance must be sealed into a non-combustible fireplace (Fig. 2) whose only opening must be through a Class I (7" or 175mm diameter) or Class II (5" or 125mm diameter) chimney / flue of at least three metres in height.

Before installation, ensure that the local conditions (identification of gas type and pressure) and the adjustment of the appliance are compatible.



**Fig. 1**



**Fig. 2**

An air vent is not normally required for this application because its input does not exceed 7kW. We recommend that the chimney/flue is swept prior to installation of this appliance and that any flue restrictor or damper plate should be removed or fixed in the open position. The chimney/flue must always generate a positive up draught to ensure safe operation.

The installer must then establish that all the products of combustion are entering the flue within five minutes of lighting from cold. This can be verified by traversing the canopy with a lighted smoke match (see 'Spillage Test' page 4).

An isolation valve must be fitted adjacent to the appliance. When closed, this will allow the complete burner and control assembly to be disconnected for maintenance or repair in accordance with national regulations.

The gas supply should be provided by a semi rigid pipe with an 8mm diameter and should be no longer than 1.5 metres in length.

**NOTE:** When the gas supply pipe is passed through masonry or other brickwork always ensure that the end of the pipe is covered to avoid any debris passing through into the appliance controls.

The appliance is fitted with an Oxygen Depletion Sensor (ODS) that monitors the room for products of combustion. If products are detected, the ODS will automatically shut down the appliance. If this situation arises, re-light the appliance, referring to the user instructions (page 9). If shut down re-occurs, a qualified person must be called to thoroughly check the appliance. The spillage monitoring system (ODS pilot) must not be put out of operation or be tampered with or adjusted by either the installer or the user. If the unit is found to be at fault it should be replaced with the manufacturers original replacement parts.



**This appliance must only be installed in Great Britain or Ireland.**

1. This appliance is a natural gas appliance only and has been designed for use with the following applications:
  - a) **Class I** - Conventional brick or stone chimney as used for a solid fuel fire with a cross sectional dimension of 225mm x 225mm (9" x 9") or a lined flue with a minimum diameter of 175mm (7"), with the fireplace components conforming to BS1251, or a builders opening a minimum of 560mm high and 406mm wide with a minimum depth of 175mm to allow sufficient volume for debris collection. To obtain this depth it would not normally be necessary to remove the chair brick. Any permanent flue restrictions or variable dampers are to be removed or locked in the fully open position. The chimney should also be swept prior to installation.
  - b) **Class II** - A double walled or insulated metal flue box built to the requirements of BS715 with an insulated flue having a minimum diameter of 125mm (5") and a minimum effective overall height of 3 metres (10').
  - c) **Pre-cast Flue** conforming to BS 1289 Part 1 (It may be necessary to use a surround with a deeper rebate than usual to accommodate a flush fit with certain starter blocks. Check appliance dimensions against individual applications.
2. A non-combustible hearth must be provided to comply with current building regulations. Care should be taken to prevent any damage being caused to surrounding soft furnishings or decoration, e.g. many embossed vinyl wall coverings may become discoloured if placed too close to the appliance.
3. A suitable proprietary fire surround with 100°C rating may be used with a minimum clearance from hearth to underside of shelf of 830mm, providing that the depth of shelf is 150mm or less.
4. Where the shelf depth is greater than 150mm, the minimum height clearance should be increased by 25mm increments for each additional 12.5mm of shelf depth.
5. Minimum width between vertical sides of combustible surround should not be less than 800mm provided the appliance is central to the surround and the surround legs do not exceed a 150mm profile.
6. If the 150mm profile is exceeded, the width of the surround (and the back panel) should be increased by 25mm for each additional 12.5mm of profile depth.

## FLUE FLOW TEST

A flue flow test (smoke test) is carried out to check the effectiveness of the flue and to ensure that there is no leakage into another part of the premises (including any loft), or as appropriate other adjoining premises (this is particularly important where a number of chimneys combine into a multiple stack).

The flue flow test should be carried out using a suitable smoke pellet which the pellet manufacturer claims to generate 5 m<sup>3</sup> of smoke in 30 seconds burn time.

These gas fires should have the flue flow test carried out with the appliance in position but not connected to the gas supply so that the smoke test can be carried out with representative flue flow conditions.

A warm flue will be more effective than a cold flue. If the flue is reluctant to draw, which can be initially assessed by lighting a smoke match at the intended position of the appliance flue connection, introduce some heat into the flue for a minimum of 10 minutes using a blow torch or other means.

Other factors, such as weather conditions and a combination of materials used to construct the flue can all influence the flue draught. The pre-heating process may require as much as half an hour before the flue behaves satisfactory as a blow torch does not represent the volume of heat consistent with the normal appliance operation.

A Flue Flow Test should be checked as follows:

1. Carry out those visual checks as indicated previously, and continue only if satisfactory.
2. Establish that an adequate air supply is available for the combustion of the appliance
3. Close all doors and windows in the room that the appliance is to be installed.
4. Light a smoke pellet at the intended position for the appliance. Place the inset fire case into position.
5. The test is satisfactory if
  - there is no significant escape of smoke from the appliance position.
  - there is no seepage of smoke over the length of the flue.
  - smoke is discharged only from the correct terminal.

## VENTILATION

No special ventilation bricks or vents are required in the room containing the appliance, providing that normal adventitious room ventilation exists. The installer must determine this by carrying out a spillage test.

## SPILLAGE TEST

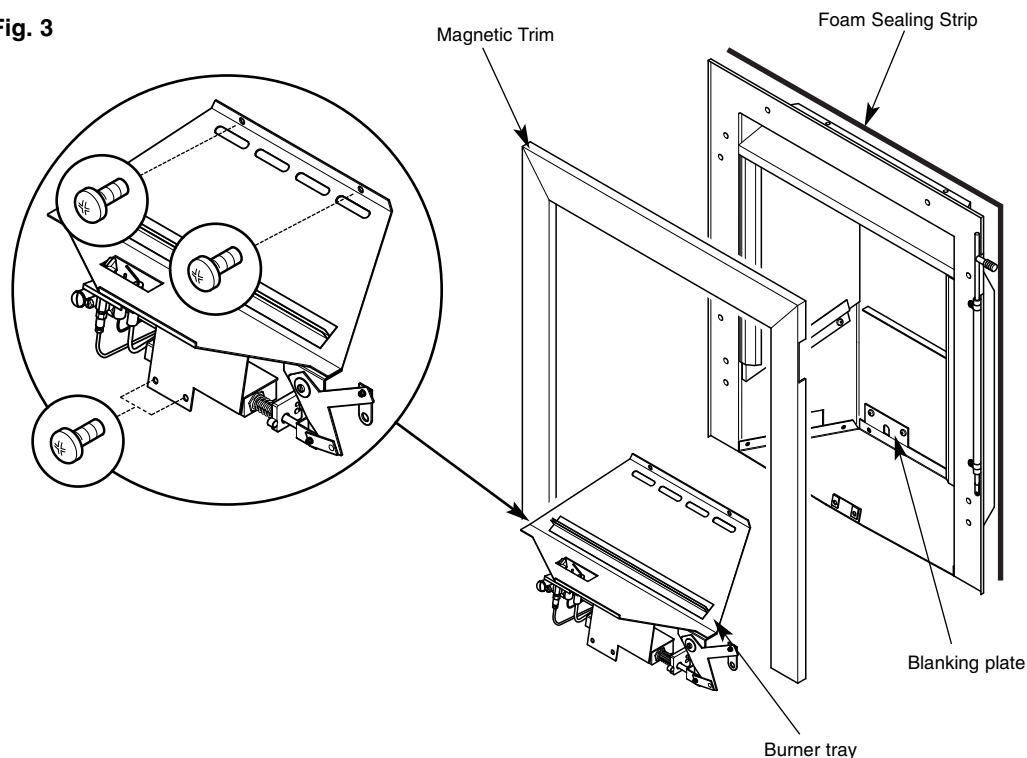
To check for satisfactory clearance of products of combustion, close all doors and windows and leave the fire burning for five minutes. Insert a lit smoke match on a vertical plane 50mm down, 50mm inside the canopy opening. All the smoke must be drawn into the flue. If spillage occurs, allow a further ten minutes and repeat the test. Should spillage still occur turn the appliance off and seek expert advice.

To continue the test: If an extractor fan is situated in the room the test should be repeated with the fan running. If there is a connecting room with an extractor fan the test should be repeated with all the doors to that room open and the extractor fan running.



1. Carefully lift the appliance out of the packaging taking care not to damage the ceramic components in the separate carton.
2. Remove the magnetic trim and store to one side to prevent any damage.
3. Cut the foam sealing strip (in plastic bag supplied) to length and stick a continuous strip down the two sides and across the top of the radiant box. When the box is placed against a flat surface the foam strip will form a seal around the boxes flange.
4. Carefully lift the appliance into position in the fireplace opening and check that the flange of the radiant box fits flush against the sealing face with no gaps present.
5. Remove the four screws that secure the burner tray to the box, two on the front leg and two at the rear of the tray. Remove the burner tray and place to one side (Fig. 3).

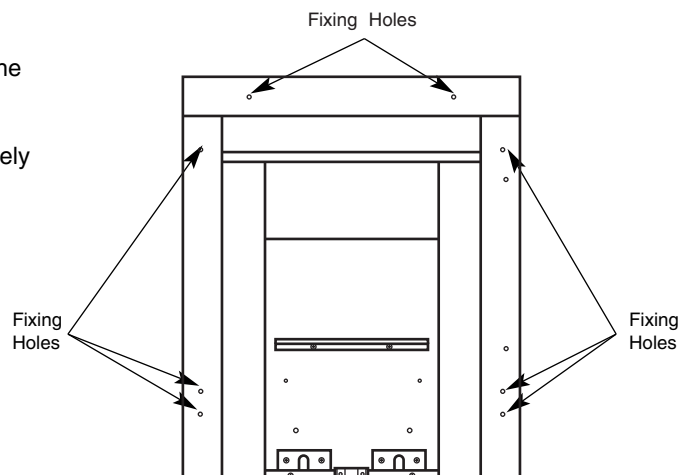
**Fig. 3**



6. When the burner tray has been removed, decide which side of the appliance the gas supply will be entering the radiant box and remove the relevant blanking plate (left or right hand side). The gas supply should be concealed as much as possible.

7. With the radiant box placed in the opening, mark out four of the eight fixing holes. Remove the box and carefully drill and fit rawl plugs.

8. Pass the 8mm gas connection through the back of the box and secure the box into place using four screws (straight shank screws are recommended for marble). Check that the outer flange of the appliance is completely sealed against the back panel.



**Fig. 4**



## ALTERNATIVE FIXING METHOD

Where the drilling of the back panel is not practical, an alternative fixing method may be employed using the **optional** cable fixing kit provided. Drill four holes in the rear of the fireplace opening (Fig. 5). Securely fix the four eye bolts provided using suitable rawl plugs. Feed one cable through each of the top holes in the rear of the fire box.

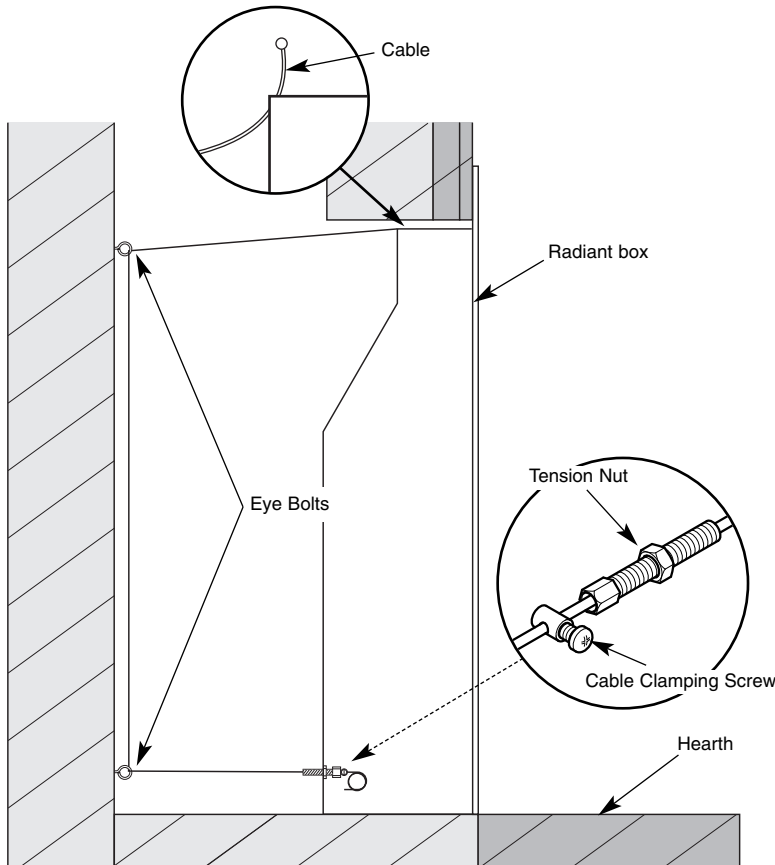


Fig. 6

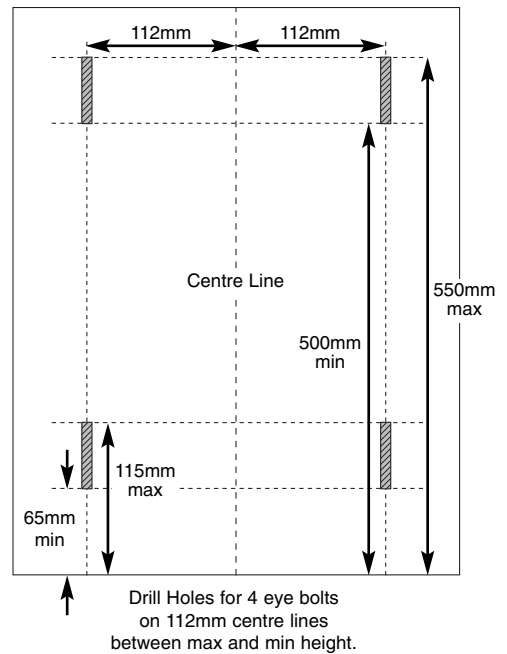


Fig. 5

Fix the radiant box into the opening, securing into position using the cable fixing kit (Fig. 6). Do not cut off the loose ends as the full length is required should the radiant box need refitting at any time. Coil up and securely store underneath the burner tray.

1. Position the burner tray into the box in order to determine the length of 8mm gas supply needed and cut to length.
2. Before making the final connection, thoroughly purge the supply pipe to clear any foreign matter, i.e. masonry dust etc, as this could lead to blockages in the control valve and/or pilot assemblies.
3. Fix the burner in place using the four screws and make the gas connection. Carry out a gas soundness test.

## COMMISSIONING

1. Unscrew the pressure test point sealing screw (Fig. 7) and fit a manometer. Consult the user instructions (page 9). Ignite the appliance and turn to the high position.
2. Take a pressure reading and consult the technical data (page 7) to establish the correct working pressure.
3. Once the pressure has been checked and verified, turn off the appliance. Consult the ceramic component set up diagrams (pages 12-21) and fit the ceramics as per the instructions.
4. Carry out a Spillage Test (page 4).

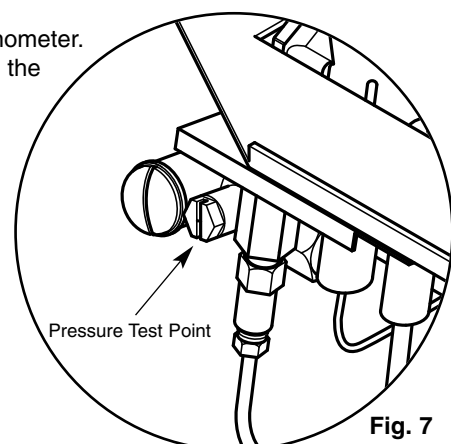


Fig. 7



Gas Type	Natural Gas (G20) Cat I <sub>2</sub> H
Gas Connection	8mm
Number of Injectors	One
Injector size	Stereomatic 070
Control Max Operating Temperature	110°C
Inlet Pressure Cold	20 mbar
Heat Input (Gross)	6.2 kW
Weight	12 kg

## **REPLACEMENT PARTS**

---

1. **Loose coals** - The ceramic coals supplied with this appliance can be replaced at service intervals depending on their condition. If the coals do require replacement, the consumer can do so provided that the Ceramic Component Layout Instructions (pages 12-21) are adhered to. Under no circumstances should additional/extra coals be added. Only genuine Legend replacement parts should be used.

Order Ref: **SLC05**

2. **Front Coal, Fuel Bed and Side Cheeks** - All these ceramic components can be replaced at service intervals depending on their condition. If the coals do require replacement, the consumer can do so provided that the Ceramic Component Layout Instructions (pages 12-21) are adhered to. Only genuine Legend replacement parts should be used.

Order Ref: **SFC02, SCM03, SSC04**

3. **Oxygen Depletion Sensing Pilot** - In the unlikely event of a pilot failure, the pilot assembly should only be replaced by a **GAS SAFE Registered Engineer**. The user must not carry out this work.

Order Ref: **LEG01**

4. **Control Tap** - In the unlikely event of control tap failure, the assembly should only be replaced by a **GAS SAFE Registered Engineer**. The user must not carry out this work.

Order Ref: **LEG11**



### 1. The Piezo will not spark.

Check: The battery  
If the electrode is cracked or broken - Replace pilot assembly.  
If the HT lead is shorting out on the burner body - Locate where the short is occurring, isolate and/or re-route the lead.  
If the HT unit/lead is faulty - Replace as necessary.

### 2. The Pilot will not light (but the Piezo is sparking).

Check: If the gas is reaching the pilot - check joints and connections.  
If the pilot jet is blocked - Inspect and clean.  
If the pilot is still not passing gas - Replace the pilot assembly.

### 3. The Pilot lights but goes out when the control knob is released.

Check: If the Thermocouple is loose/disconnected at the control valve - remake the connection.  
If the Thermocouple is faulty - Replace.  
If the Electro magnetic valve is faulty - replace valve.

### 4. The Burner will not light readily from the pilot.

Check: If the coals are obstructing the pilot to burner path ie. Are the coals blocking the opportunity for the pilot to light the burner - Relay the coal set as per Ceramic Component Layout Instructions. (pages 12-21).

### 5. The fire makes a roaring noise when lit.

Check: That the front coal is seated correctly and the pilot hole is positioned correctly over the pilot assembly.

**IF ANY PART OF THE PILOT ASSEMBLY IS SUSPECTED AS BEING FAULTY THE COMPONENT MUST BE REPLACED.**

### 6. The flames appear blue (after the fire has fully warmed up). The coals/ceramic liners have soot deposits.

Check: That the coals have not moved from the original setting - Relay the coals as per the Ceramic Component Layout Instructions (pages 12-21).  
There may be too little/much ventilation into the room. Identify and then take steps to rectify.

### 7. The flame picture is low on the high setting.

Check: For any partial blockages - Check all obvious locations for debris in pipe work and fittings.  
Inlet gas pressure, both standing and working gas pressure - Identify problem and take necessary steps to rectify. **Note:** Flame pattern improves with use.

### 8. Fumes enter the room when the fire is operating.

Check: Why the chimney is not drawing all the products of combustion up the flue, identify where the problem lies and rectify, otherwise disconnect the fire and seek professional guidance.



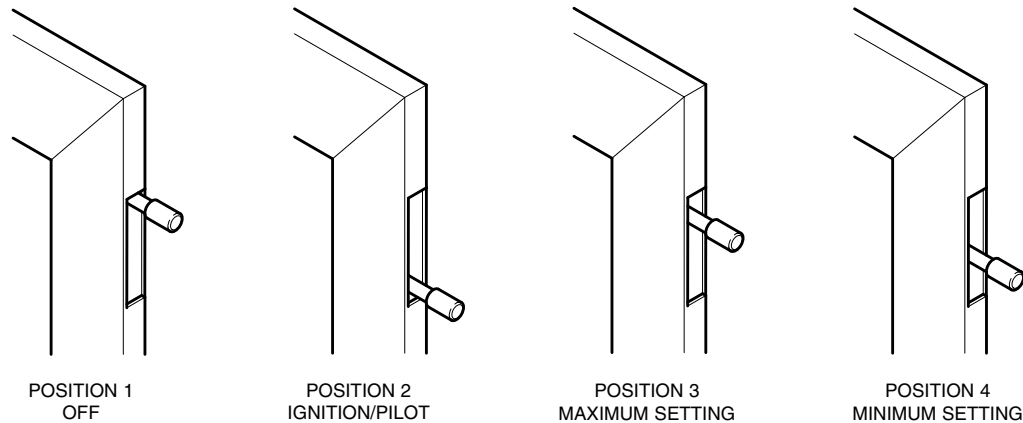


**THIS APPLIANCE IS INTENDED FOR DECORATIVE PURPOSES.**

Please also familiarise yourself with the **Notes for the Installer and End User** on page 3.

## OPERATION AND CONTROLS

It is most important that the operator of this gas appliance has fully read and understood all the operating, cleaning and maintenance procedures as laid out in these instructions.



**Fig. 8**

### Lighting Procedure

1. Push down the lever until the spark ignition begins to 'click' (position 2) and continue to hold down for 10 to 15 seconds until the pilot establishes.
2. With the pilot established, give the mechanism the extra 2-3mm downward push to allow gas to the main burner.
3. Slowly lift the lever to position 4 to give the minimum setting.
4. Slowly lift the lever again to position 3 to give the maximum setting.
5. When turning down to the minimum setting from maximum, **it is essential that the lever is fully pushed down to the ignition setting and then lifted back up to the minimum setting.**
6. To switch off the appliance completely, simply lift the lever fully to the top position.

**Note:** The pilot assembly fitted to this appliance has an oxygen depletion sensor built in to monitor the room for products of combustion. If the sensor should operate and switches the appliance off, re-ignite the appliance following the procedure above. Should the appliance repeatedly activate the sensor, a specialist should be called to inspect the appliance.

7. The fire must always be run on the high setting for at least the first 30 minutes to allow the chimney/flue to warm. This allows the 'pull' of the flue to commence. After this period, a lower setting can be obtained by sliding the knob down to POSITION 4.

### WARNINGS:

**Never throw any type of rubbish on or otherwise disturb the fuel bed.**

**Any alteration to this appliance including its ceramic components may render it inoperable and unsafe.**

**ALWAYS run this appliance on the high setting for the first 30 minutes (minimum) - Failure to do this may result in poor combustion and excessive sooting.**



Legend Gas Fires recommend that this appliance is serviced at regular 12 monthly intervals. The chimney or flue should also be checked regularly to ensure that all products of combustion are entering the flue and there is no excessive build up of soot.

It is the users responsibility to ensure that the appliance is kept in a clean serviceable condition.

1. **Ceramic Components and Fuel Bed** - Debris from any source should be removed with a soft brush. Please ensure that any debris including soot deposits are removed from the appliance and not left on the fuel bed. It is recommended that the user should, on a regular quarterly basis, carefully remove all ceramic components and thoroughly clean the stainless steel burner strip and the pilot assembly. Any build up of debris in this area could affect the operation of the appliance.

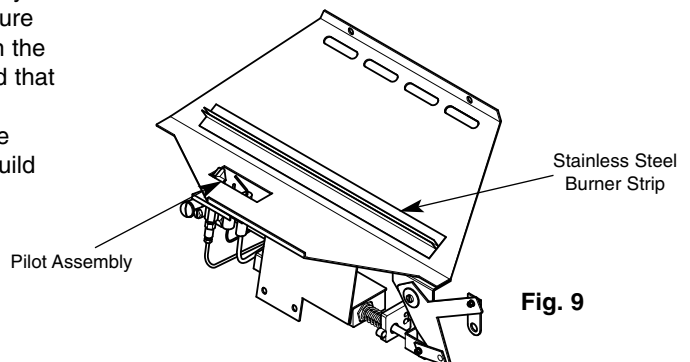


Fig. 9

**NOTE:** It is common to find surface cracks in the ceramic components. This is due to the expansion and contraction of the ceramic fibres caused by the intense heat that the burner generates. The cracks will not affect the safe operation of this appliance. However great care must be taken when handling the ceramic components as they will break if handled incorrectly. Do not use a vacuum cleaner to clean the ceramics.

2. **Radiant Box Ceramic Liners** - Use only a soft brush to remove any soot deposits from the ceramic liners during cleaning as this is the only method that can be used to remove deposits. The ceramic liners are very delicate and should be treated accordingly.

3. **Brass Trims and Frets** - The brass trim and fret should be removed from the appliance for cleaning, please ensure that the appliance has cooled thoroughly. Polished metal trims and frets are not lacquer coated and therefore require polishing. It is recommended that a good quality metal polish is used.

4. **Slide Control Lever** - The slide control mechanism should be greased annually with high temperature grease. Place a small amount of the grease at the top and bottom of the lever guide and operate the lever several times to work the grease into the lever guide.

5. **Battery Replacement** - The battery will need replacing during the life time of the fire. To change the battery switch off the appliance and allow it to cool down. Remove the fire front and locate the 9 volt battery (located on the bottom left hand side of the appliance). Replace with a good quality alkaline battery.

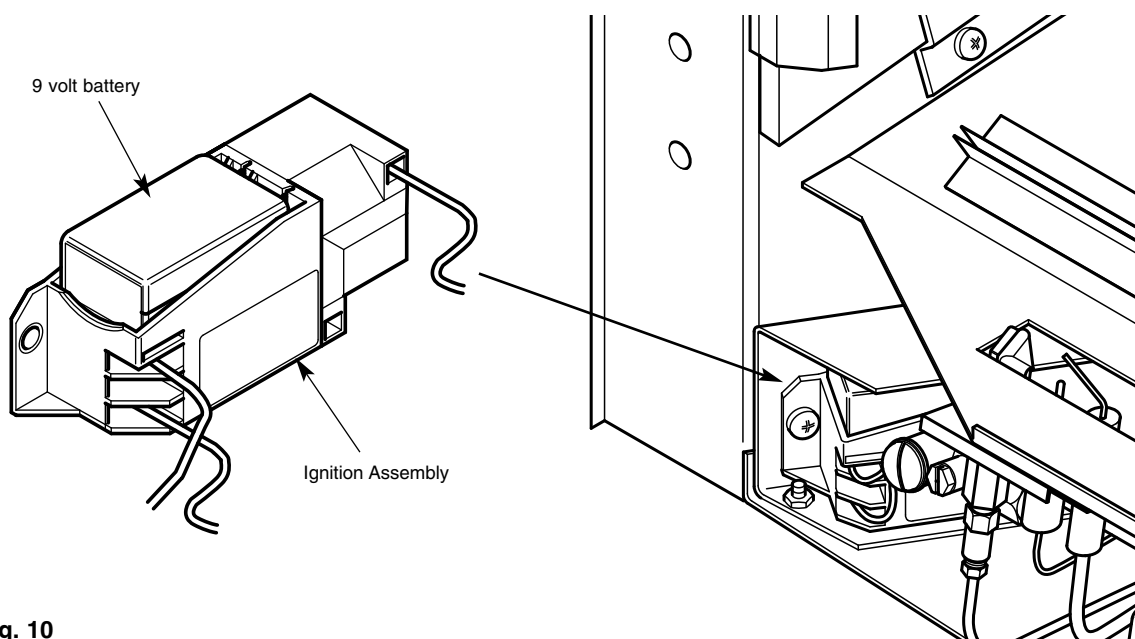


Fig. 10

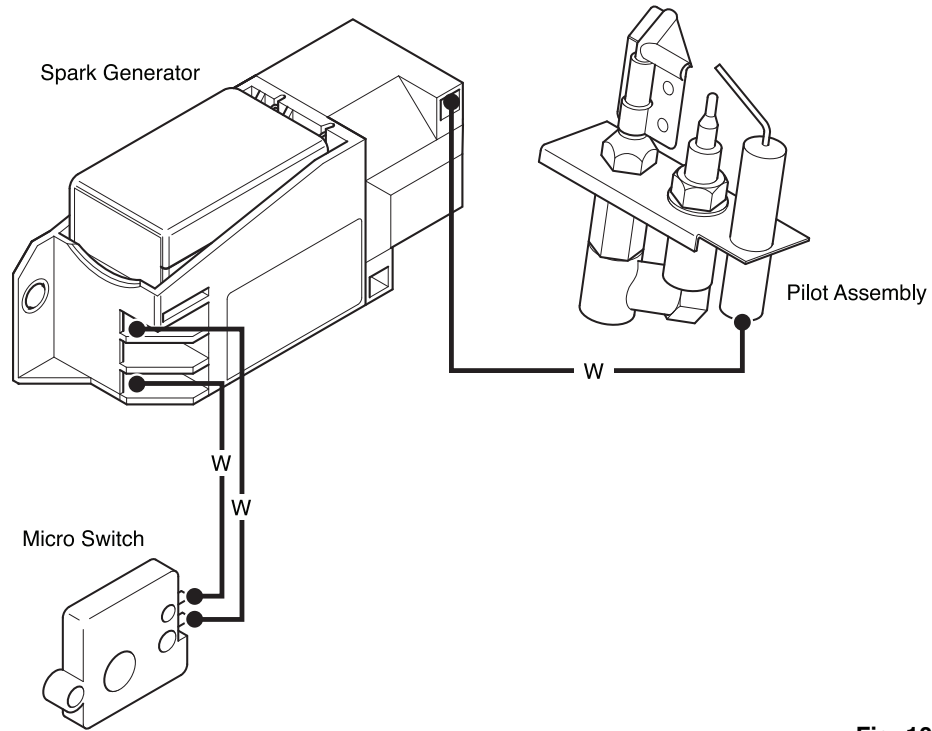


Fig. 10A

## FIRE FRONT SPECIFICATIONS

Fire fronts are now available in many different designs and finishes. The user can now choose their own particular style of fire front to suit their individual fireplace setting, providing the fire front complies with the following dimensions -

Fire Front -	(X) Max: 210mm	Min: 190mm
Ash Pan Cover -	(W) Max: 90mm	Min: 65mm
	(Y) Max: 345mm	Min: 320mm

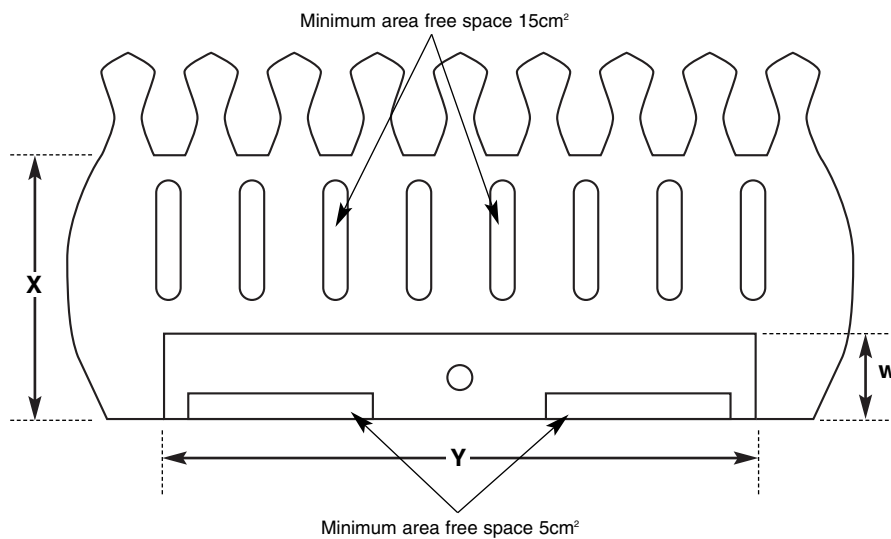


Fig. 11

**SAFETY WARNING - This appliance has a naked flame and as with all heating appliances a fireguard should be used for the protection of children, the elderly and infirm. Fireguards should conform to BS 6539 (1984 Fireguards for use with solid fuel appliances). This fire is not fitted with an integral guard. In normal use consideration may be given to the use of a fireguard conforming to BS 6539, such that the approach to the naked flame is minimised.**

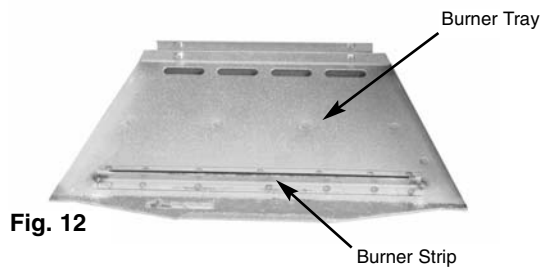


Fig. 12

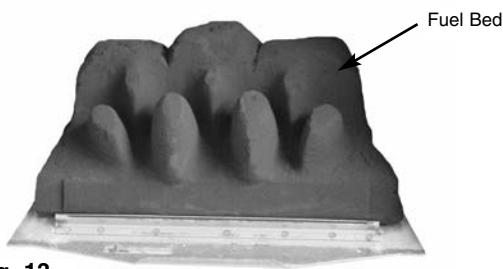


Fig. 13

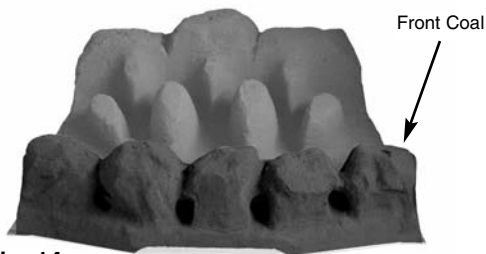


Fig. 14



Fig. 15

**It is very important that all the coals are used and arranged as shown in order to achieve the desired flame picture.**

It may be necessary to remove some or all of the coals to clean them at some time. Cleaning must only be done using a soft brush.

**CAUTION:** The coals are extremely fragile and must be handled accordingly. Gloves should be worn and any inhalation of dust should be avoided. The coals must be kept away from children at all times. Never put additional coals on the fire. Never use coals other than those originally supplied, or genuine Legend Spare Parts.

1. Place the main fuel bed on to the middle section of the metal burner tray. It is important that the front edge of the fuel bed is located behind the burner strip (Fig. 13).

2. Position the front coal on the front coal retainer, making sure that the back edge is pushed up against the front of the burner strip (Fig. 14).

3. Place the side cheeks into position, making sure they are positioned either side of the fuel bed and the overhang is at the front. The outside edge should be in contact with the radiant box ceramic liner. Ensure that the lower part of the side cheeks sit on the front coal (Fig. 15).



Fig. 16

5. Pick out the smallest two coals and lay to one side, lay the first row of four loose coals on top of the front coal. Ensure the back of the coals are resting on the coal bed and there are even gaps all round (Fig. 16).



Fig. 17

6. Choose three loose coals and place them in line on the next row up, again making sure all the gaps are even. It is important that the coals 'bridge' the peaks of the fuel bed and are not placed in between. This helps the flow of burnt gases and should give an even glowing fuel bed (Fig. 17).

8. Place the next two coals in the middle, on the back edge of the coals previously laid ensuring even gaps all round. Finally place the two small coals, one in each top corner. Make any adjustments necessary to achieve even gaps as this will help in giving a well balanced flame picture and an even glow (Fig. 18).



Fig. 18

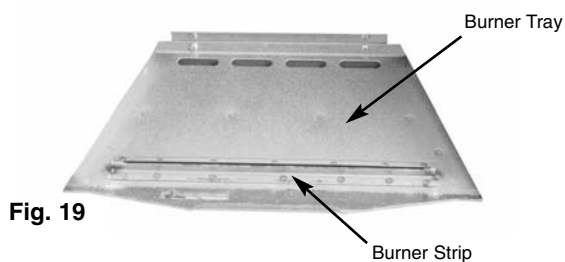


Fig. 19

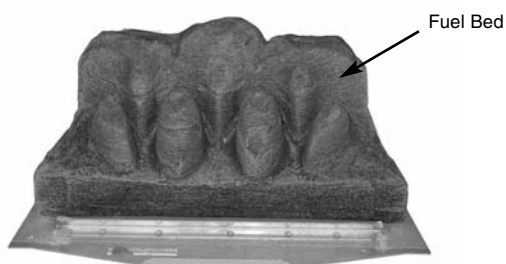


Fig. 20



Fig. 21



Fig. 22

**It is very important that all the pebbles are used and arranged as shown in order to achieve the desired flame picture.**

It may be necessary to remove some or all of the pebbles to clean them at some time. Cleaning must only be done using a soft brush.

**CAUTION:** The pebbles are extremely fragile and must be handled accordingly. Gloves should be worn and any inhalation of dust should be avoided. The pebbles must be kept away from children at all times. Never put additional pebbles on the fire. Never use pebbles other than those originally supplied, or genuine Legend Spare Parts.

1. Place the main fuel bed on to the middle section of the metal burner tray. It is important that the front edge of the fuel bed is located behind the burner strip (Fig. 20).

2. Position the front coal on the front coal retainer, making sure that the back edge is pushed up against the front of the burner strip (Fig. 21).

3. Place the side cheeks into position, making sure they are positioned either side of the fuel bed and the overhang is at the front. The outside edge should be in contact with the radiant box ceramic liner. Ensure that the lower part of the side cheeks sit on the front coal (Fig. 22).



Fig. 23

4. Pick out the smallest two pebbles and lay to one side, lay the first row of four loose pebbles on top of the front coal. Ensure the back of the pebbles are resting on the fuel bed and there are even gaps all round (Fig. 23).



Fig. 24

5. Choose three loose pebbles and place them in line on the next row up, again making sure all the gaps are even. It is important that the pebbles 'bridge' the peaks of the fuel bed and are not placed in between. This helps the flow of burnt gases and should give an even glowing fuel bed (Fig. 24).

6. Place the next two pebbles in the middle, on the back edge of the pebbles previously laid ensuring even gaps all round. Finally place the two small pebbles, one in each top corner. Make any adjustments necessary to achieve even gaps as this will help in giving a well balanced flame picture and an even glow (Fig. 25).

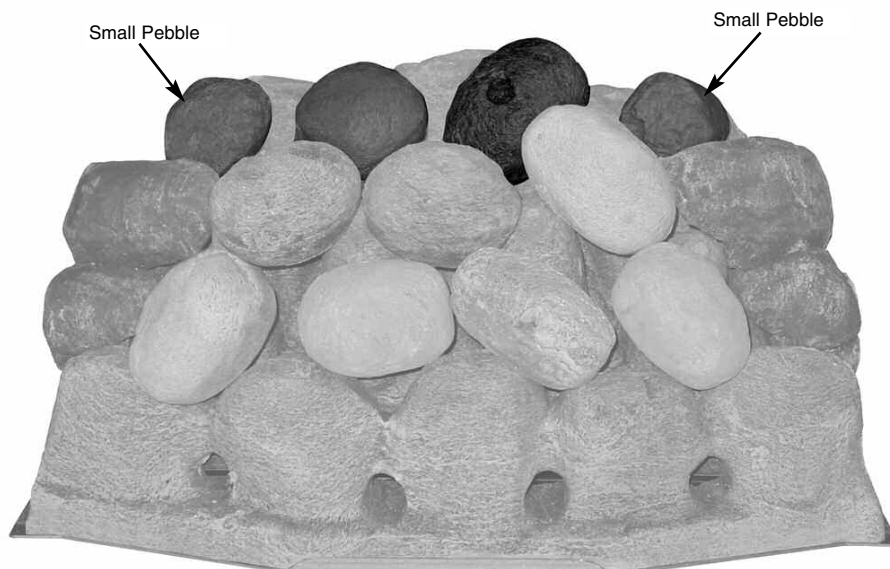


Fig. 25

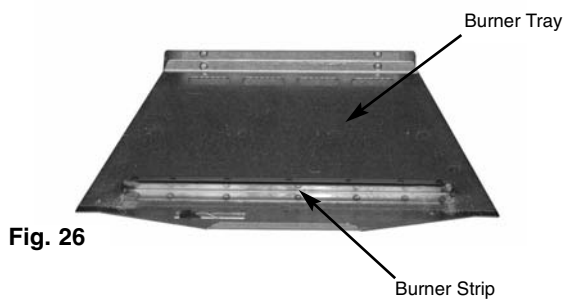


Fig. 26

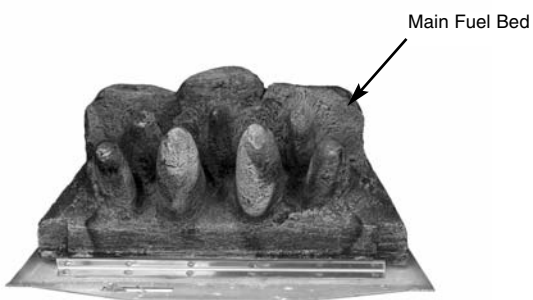


Fig. 27



Fig. 28



Fig. 29

**It is very important that all the pebbles are used and arranged as shown in order to achieve the desired flame picture.**

It may be necessary to remove some or all of the pebbles to clean them at some time. Cleaning must only be done using a soft brush.

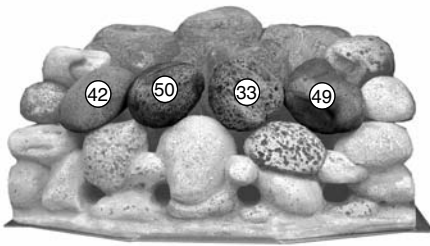
**CAUTION:** The pebbles are extremely fragile and must be handled accordingly. Gloves should be worn and any inhalation of dust should be avoided. The pebbles must be kept away from children at all times. Never put additional pebbles on the fire. Never use pebbles other than those originally supplied, or genuine Legend Spare Parts.

1. Place the main fuel bed on to the middle section of the metal burner tray. It is important that the front edge of the fuel bed is located behind the burner strip (Fig. 27).

2. Position the front coal on the front coal retainer, making sure that the back edge is pushed up against the front of the burner strip (Fig. 28).

3. Place the side cheeks into position, making sure they are positioned either side of the fuel bed and the overhang is at the front. The outside edge should be in contact with the radiant box ceramic liner. Ensure that the lower part of the side cheeks sit on the front coal (Fig. 29).

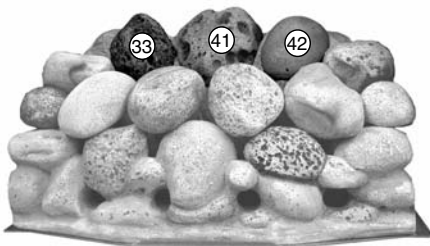




**Fig. 30**

4. Lay the first row of four loose pebbles on top of the front coal. Ensure the back of the pebbles are resting on the coal bed and there are even gaps all round (Fig. 30).

5. Place the remaining three loose pebbles in line on the next row up, again making sure all the gaps are even. It is important that the pebbles 'bridge' the peaks of the fuel bed and are not placed in between. This helps the flow of burnt gases and should give an even glowing fuel bed (Fig. 31).



**Fig. 31**

Make any adjustments necessary to achieve even gaps as this will help in giving a well balanced flame picture and an even glow. After running the fire for 30 minutes, it may be necessary to adjust the pebbles with tongs.

Where possible, make sure that the flames do not play on the ceramic fire box liners, as this may cause sooting.



**Fig. 31A**

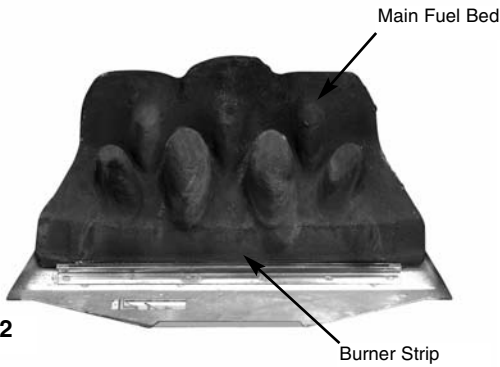


Fig. 32

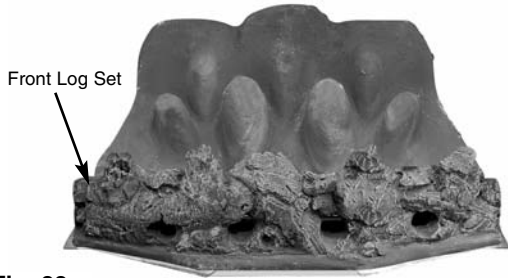


Fig. 33

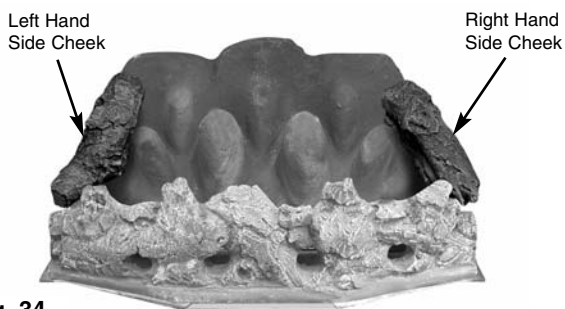


Fig. 34

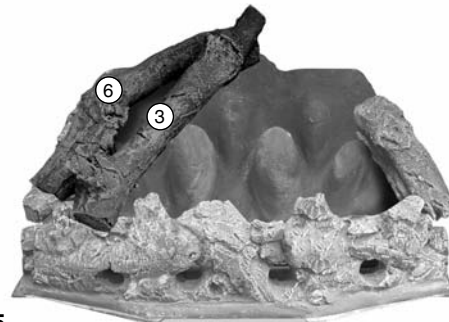


Fig. 35

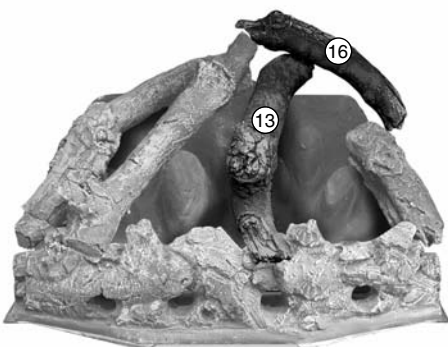


Fig. 36

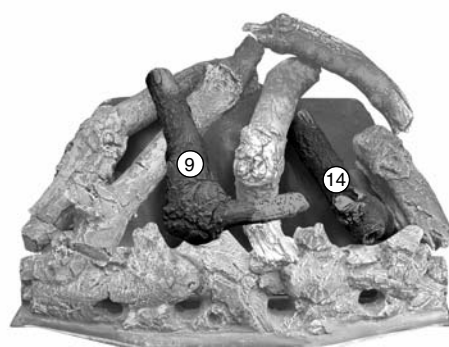


Fig. 37

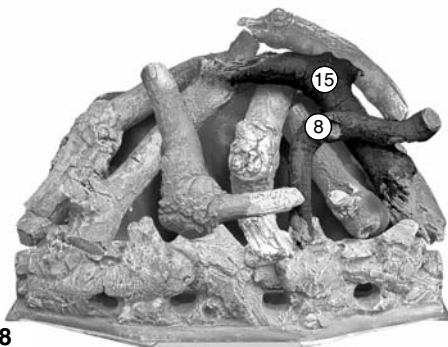


Fig. 38

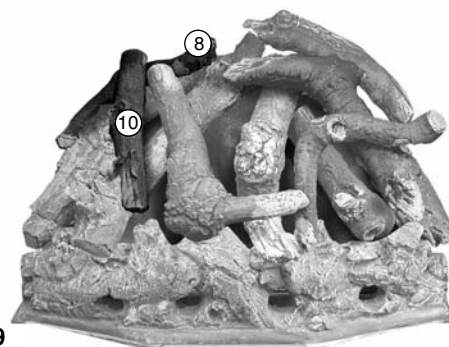


Fig. 39

**It is very important that all the logs are used and arranged as shown in order to achieve the desired flame picture.**

It may be necessary to remove some or all of the logs to clean them at some time. Cleaning must only be done using a soft brush.

**CAUTION:** The logs are extremely fragile and must be handled accordingly. Gloves should be worn and any inhalation of dust should be avoided. Never put additional logs on the fire. Never use logs other than those originally supplied, or genuine Legend Spare Parts.

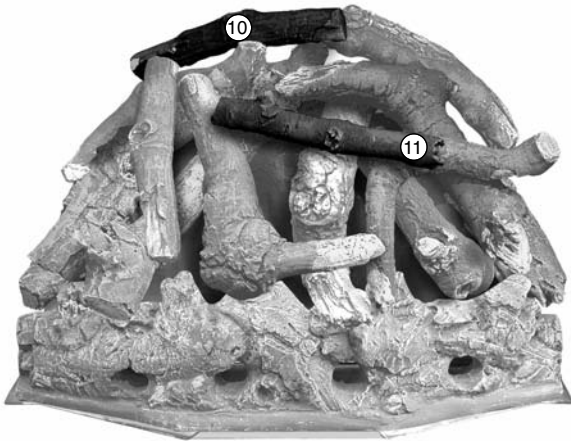
1. Place the main fuel bed on to the middle section of the metal burner tray. It is important that the front edge of the fuel bed is located behind the burner strip (Fig. 32).

2. Position the front log set on the front log retainer, making sure that the back edge is pushed up against the front of the burner strip (Fig. 33).

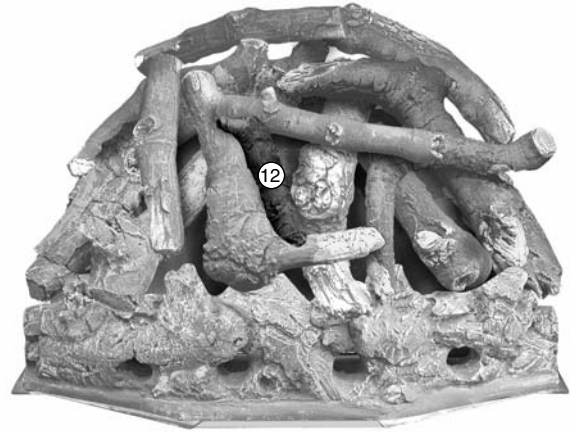
3. Following Figs. 34 to 42, place the loose logs on to the fuel bed. It is important that the logs 'nest' together and sit on top of the fuel bed peaks.



4. Make any adjustments necessary to achieve even gaps as this will help in giving a well balanced flame picture and an even glow. After running the fire for 30 minutes, it may be necessary to adjust the logs with tongues.  
Where possible, make sure that the flames do not play on the ceramic fire box liners, as this may cause sooting.



**Fig. 40**



**Fig. 41**



**Fig. 42**

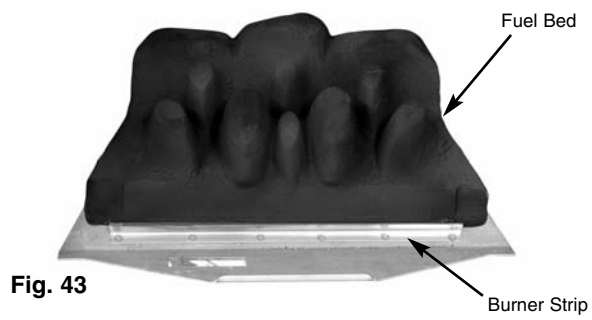


Fig. 43

1. Place the main fuel bed on to the middle section of the metal burner tray. It is important that the front edge of the fuel bed is located behind the burner strip (Fig. 43).



Fig. 44

3. Position the front coal piece on the front coal retainer, making sure that the back edge is pushed up against the front of the burner strip (Fig. 44).

4. Locate the remaining coal pieces in order as shown in Figs. 45 to 48.

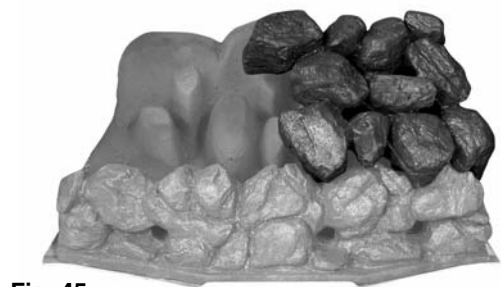


Fig. 45



Fig. 46



Fig. 47



Fig. 48



5. Finally check that all the coal pieces are 'nested' together correctly (Fig. 49).



**Fig. 49**

**It is very important that all the coals are used and arranged as shown in order to achieve the desired flame picture.**

It may be necessary to remove some or all of the coals to clean them at some time. Cleaning must only be done using a soft brush.

Ceramic touch-up dye is available from Legend Fires.



Your appliance is guaranteed for one year from proof of purchase. Should the appliance prove defective within that period we agree to repair or replace (at our discretion) the component or appliance provided that:

1. The user can produce a receipt for proof of purchase/installation.
2. The appliance has been supplied by an authorised stockist and has been installed by a qualified installer, all installation and operating instructions have been strictly adhered to.
3. No alterations have been carried out on the appliance or component parts without our written consent.
4. The appliance has not been used for any purpose other than those intended.
5. The appliance has not been damaged accidentally or due to fair wear and tear.

Guarantee claims should be made through your appliance supplier. The Guarantee is restricted to UK Mainland and is additional to your statutory rights.

## TROUBLE SHOOTING (USER)

---

### 1. The Fire will not light.

Always check the battery first (page 10).  
Remove the brass fret and check the pilot area for soot.  
If soot is present remove all the loose coals and the front coal and thoroughly clean any debris in and around the pilot area.  
If the fire will still not light contact your installer.

### 2. The flames appear blue - excessive soot deposits.

The ceramic components including the coal need relaying (pages 12-21).  
Too much or too little room ventilation. Seek professional advice.

### 3. Roaring noise coming from the pilot.

The front coal is not seated correctly. Turn the appliance off and allow to cool down. Re-seat front coal, ensuring it is flat to the base of the front coal retainer (pages 12,14,16,18 & 20).

### 4. All the Ceramic Components are discolouring.

The ceramic sets and liners are all manufactured from ceramic fibre and its natural colour is white, dyes are used to give it a realistic appearance. These dyes discolour after they have been subjected to intense heat. However the discolouration does not affect the operation of the appliance. The realistic appearance can be restored with the use of a good replacement dye that can be purchased from most good fireplace showrooms.



Legendfires 

**Unit 200  
Glenfield Park Site 1  
Philips Road  
Blackburn  
Lancashire  
BB1 5PF**

**Tel: 01254 695244**

**Fax: 01254 695255**

**Web: [www.legend-fires.com](http://www.legend-fires.com)**

**Email: [info@legend-fires.com](mailto:info@legend-fires.com)**