

MINIATURE SPLIT CORE CURRENT TRANSFORMERS



Features

- Cost effective moulded case
- Ratio's ranging from 60/1 to 500/5
- Fast cable clamp connection
- Multiple fixing options
- Safety plug in shorting link

Benefits

- Faster installation
- Compact size profile applications

Accessories



Shorting link for safe installation, (CT will not operate until removed).



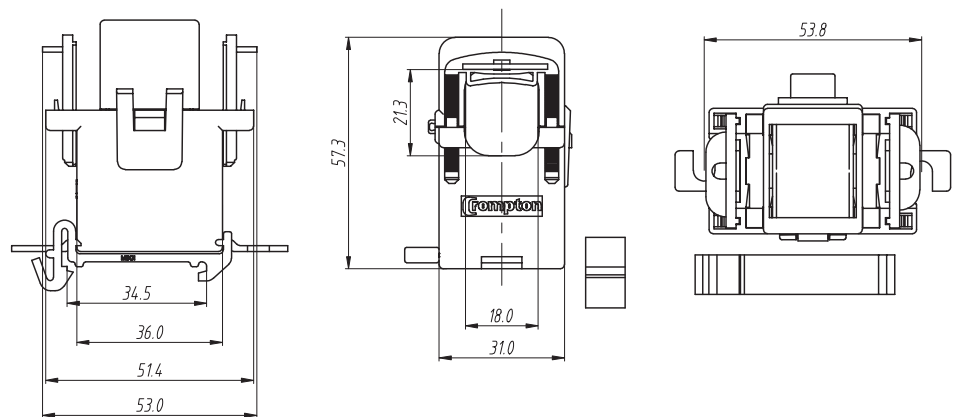
Fixing kit supplied

A range of miniature split core current transformers that offers a cost effective and efficient method by which the current can be measured without the need to break the conductor, each current transformer is supplied with colour coded leads of up to 3 meters for connection to the monitoring device. The MSC range of current transformers offers primary currents between 60-500A with 1 or 5A secondaries with class 1 accuracy performance. (Class 3 for 60-80A range).

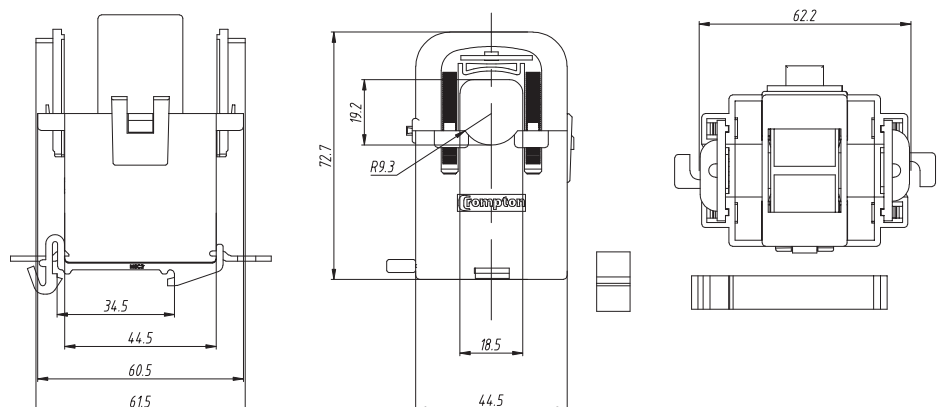
Specifications

System voltage	720V maximum
Test voltage	3kV for 1 minute
System frequency	50Hz or 60Hz
Primary ratings	60A to 500A
Short circuit thermal current	60 x rated primary current (Ith): for 1 sec
Overload withstand	1.2 x rated current continuously
Rated dynamic current	= 2.55 x Iht
Secondary leads	1A, (Length 3m), 5A (Length 1m) 2.5mm Wire
Enclosure	Flame retardant grade classified UL 94V-O
Aperture holes centres	18mm up to 250A, 28mm from 300A - 500A
Operating temperature	-20°C to +70°C
Accuracy Class	1, 3
Compliant with	IEC/EN 60044-1

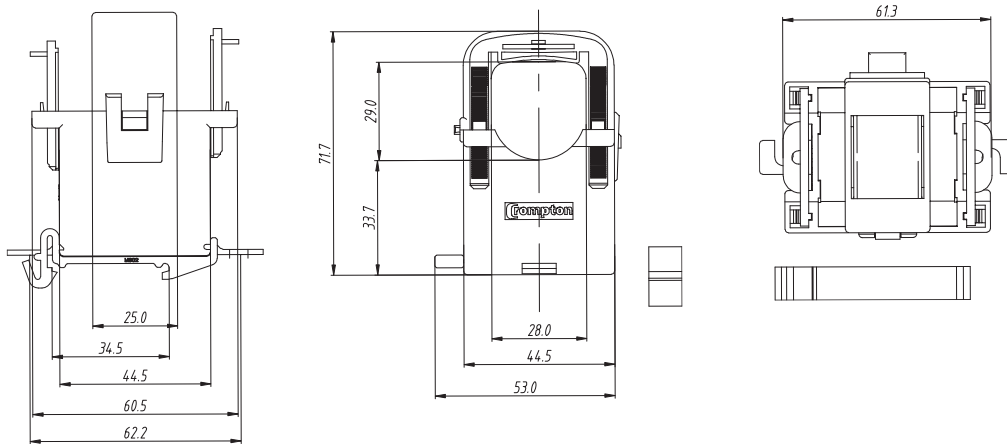
MSC1



MSC2



MSC3



Product Codes

Part number	Ratio	Class	Burden VA	Aperture	Lead length	Case	Wire colour	Approx. weight
MSC1-60/1	60/1	3	0.1	18mm	3m	Size 1	White S1 and Black S2	57.3, 31, 53, 18
MSC1-75/1	75/1	3	0.1	18mm	3m	Size 1	White S1 and Black S2	57.3, 31, 53, 18
MSC1-80/1	80/1	3	0.15	18mm	3m	Size 1	White S1 and Black S2	57.3, 31, 53, 18
MSC1-100/1	100/1	1	0.2	18mm	3m	Size 1	White S1 and Black S2	57.3, 31, 53, 18
MSC2-100/1	100/1	1	1	18mm	3m	Size 2	White S1 and Black S2	72.7, 44.5, 61.5, 18
MSC2-100/5	100/5	1	1	18mm	1m	Size 2	White S1 and Black S2	72.7, 44.5, 61.5, 18
MSC2-150/1	150/1	1	1	18mm	3m	Size 2	White S1 and Black S2	72.7, 44.5, 61.5, 18
MSC2-150/5	150/5	1	1	18mm	1m	Size 2	White S1 and Black S2	72.7, 44.5, 61.5, 18
MSC2-200/1	200/1	1	1	18mm	3m	Size 2	White S1 and Black S2	72.7, 44.5, 61.5, 18
MSC2-200/5	200/5	1	1	18mm	1m	Size 2	White S1 and Black S2	72.7, 44.5, 61.5, 18
MSC2-250/1	250/1	1	1	18mm	3m	Size 2	White S1 and Black S2	72.7, 44.5, 61.5, 18
MSC2-250/5	250/5	1	1	18mm	1m	Size 2	White S1 and Black S2	72.7, 44.5, 61.5, 18
MSC3-300/1	300/1	1	1.5	28mm	3m	Size 3	White S1 and Black S2	71.7, 44.5, 62.2, 28
MSC3-300/5	300/5	1	1.5	28mm	1m	Size 3	White S1 and Black S2	71.7, 44.5, 62.2, 28
MSC3-400/1	400/1	1	2.5	28mm	3m	Size 3	White S1 and Black S2	71.7, 44.5, 62.2, 28
MSC3-400/5	400/5	1	2.5	28mm	1m	Size 3	White S1 and Black S2	71.7, 44.5, 62.2, 28
MSC3-500/1	500/1	1	2.5	28mm	3m	Size 3	White S1 and Black S2	71.7, 44.5, 62.2, 28
MSC3-500/5	500/5	1	2.5	28mm	1m	Size 3	White S1 and Black S2	71.7, 44.5, 62.2, 28

