



**spacefile**™

Storage Solutions. For Every Space.

[www.spacefile.com](http://www.spacefile.com)



# TRACK & DECKING OPTIONS



# DEMOUNTABLE FLOATING TRACK



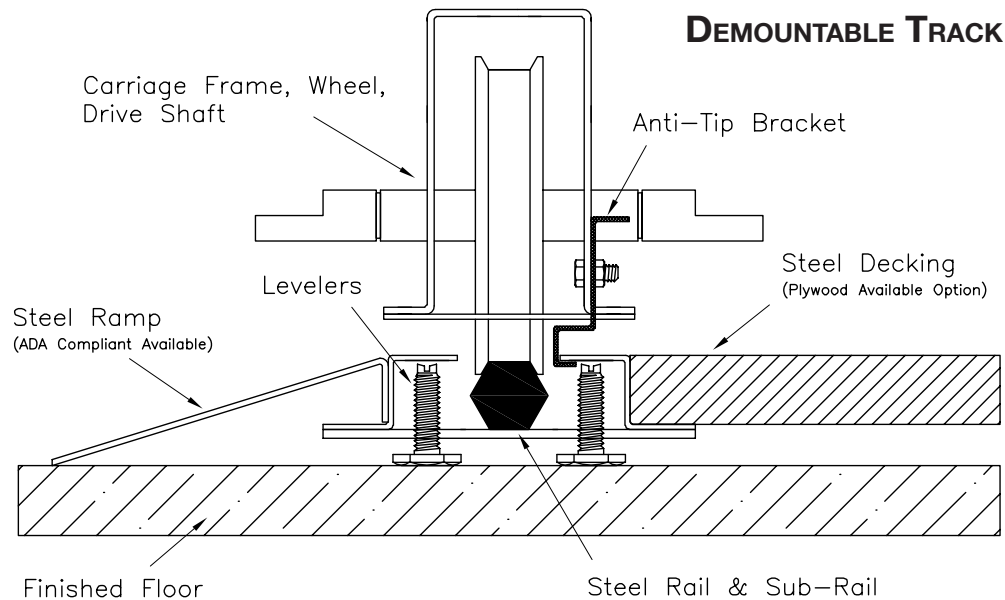
SDS MECHANICAL ASSIST SYSTEM, LT SHELVING,  
STEEL DECKING - HEALTHCARE

SDS MECHANICAL ASSIST SYSTEM, THINLINE TIER  
SHELVING, STEEL DECKING - PUBLIC HEALTH & SAFETY



## DEMOUNTABLE TRACK

- ✓ Completely modular - reuse, reconfigure, relocate
- ✓ No attachment to floor (no grout)
- ✓ Virtually any surface installation
- ✓ Uneven surface installation
- ✓ Heavy duty - engineered to withstand immense loading
- ✓ ADA compliant ramps available
- ✓ Anti-tip safety protection



Spacefile's innovative demountable floating track system delivers the highest degree of modularity and flexibility compared to any other track design. Heavy gauge steel panels are utilized as decking between track channels for a uniform and even floor finish (plywood decking option also available).

**Modular:** Fully reusable components provide the ability to relocate, reconfigure or expand to adapt to changing storage needs

**No attachment, any surface installation:** Install on virtually any surface without any attachment, preserving the pre-existing floor (no grout required)

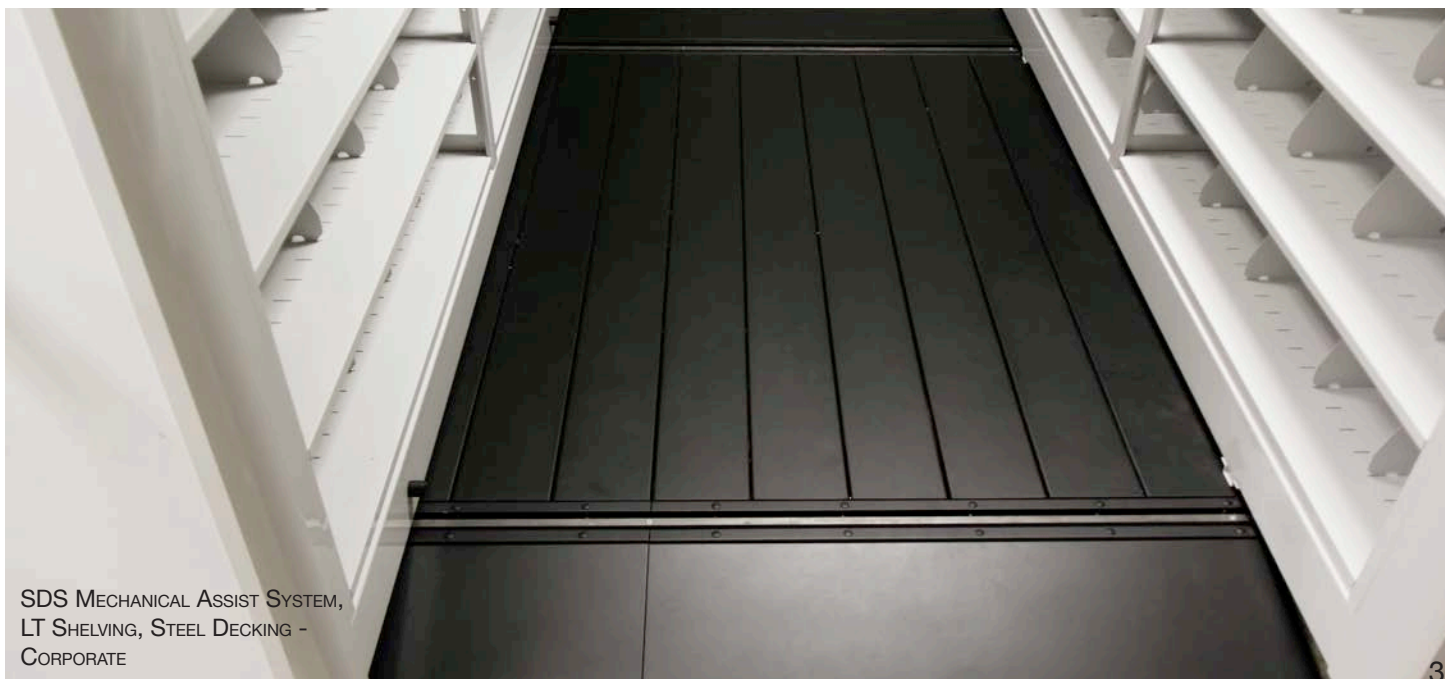
**Attractive, fully-finished, anti-slip decking:** Heavy-gauge steel panels feature an attractive and durable, powder coat micro-sandtex surface, requiring no additional floor finishing (plywood decking option also available)

**Accessible/flood recoverable:** Steel decking is completely removable for fast, convenient access to the floor underneath

**Anti-bacterial:** Airflow, floor accessibility and a full steel construction with no wood components creates a safer indoor environment by drastically mitigating the growth of micro-organisms including bacteria and fungi

**Fast, accurate and forgiving installation:** Integrated leveling bolts ensure a precisely level system that can be re-levelled at any time by simple adjustment

**Environmentally friendly:** Fully reusable steel construction with average of 40% recycled content, emitting negligible VOC's (volatile organic compounds)



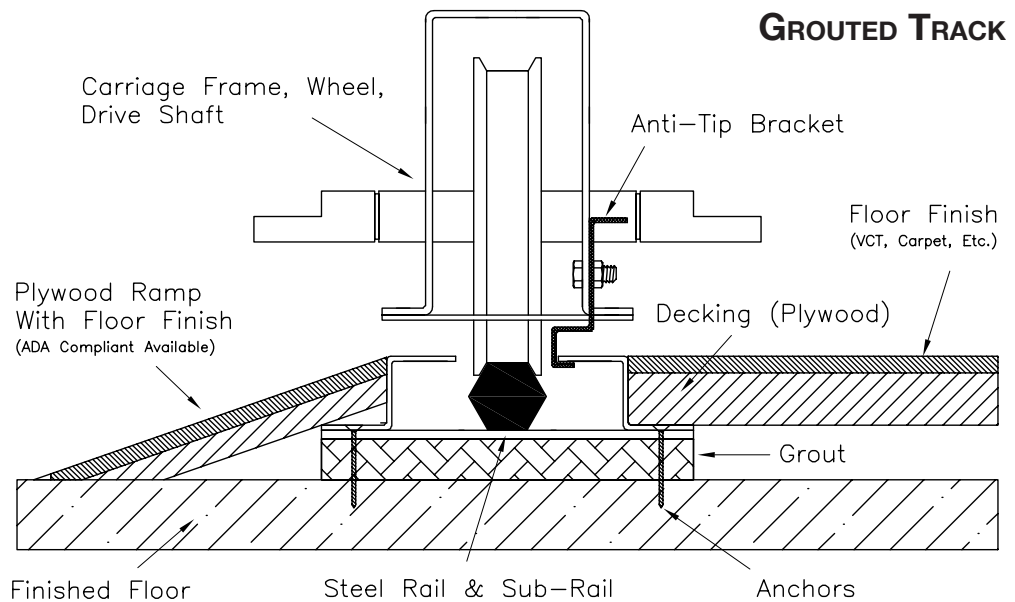
# GROUTED TRACK



SDS MECHANICAL ASSIST SYSTEM, LT SHELVING,  
CARPET FLOORING - CORPORATE

## GRouted TRACK

- ✓ Uneven surface installation
- ✓ Heavy duty - engineered to withstand immense loading
- ✓ ADA compliant ramps available
- ✓ Anti-tip safety protection



Spacefile's grouted tracks are permanently anchored to the floor and plywood is utilized as decking between track channels for a uniform and even floor finish. Sloped entry ramps at the access points to the system contribute to a fully accessible system. Most floor finishing materials can be integrated with the plywood decking, including carpet, tile, vinyl, VCT, and linoleum. Tracks and plywood decking is fully supported by non-shrink hydraulic grout for a sturdy foundation capable of withstanding immense loading.



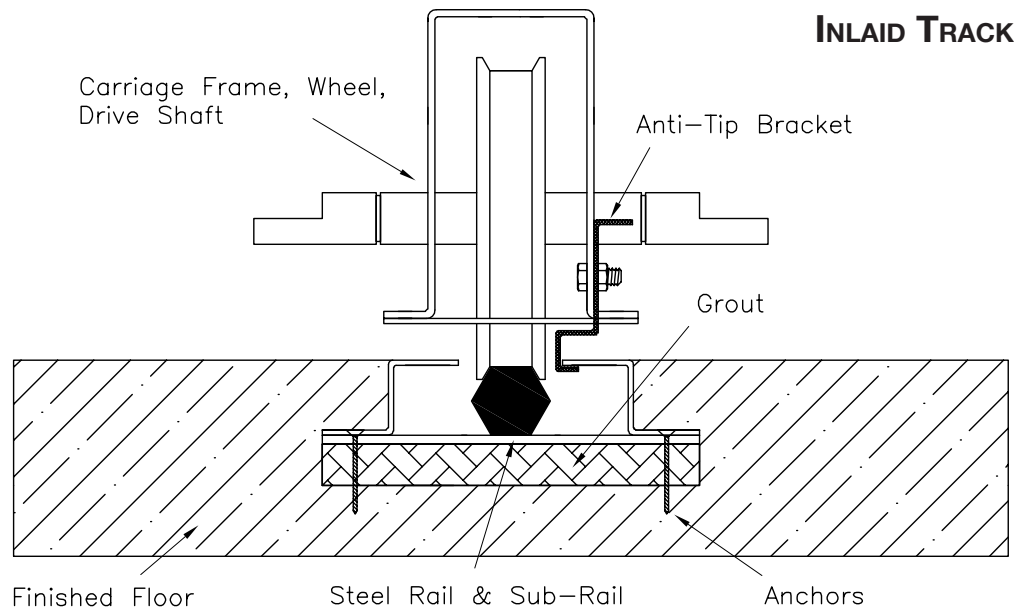
# INLAID TRACK



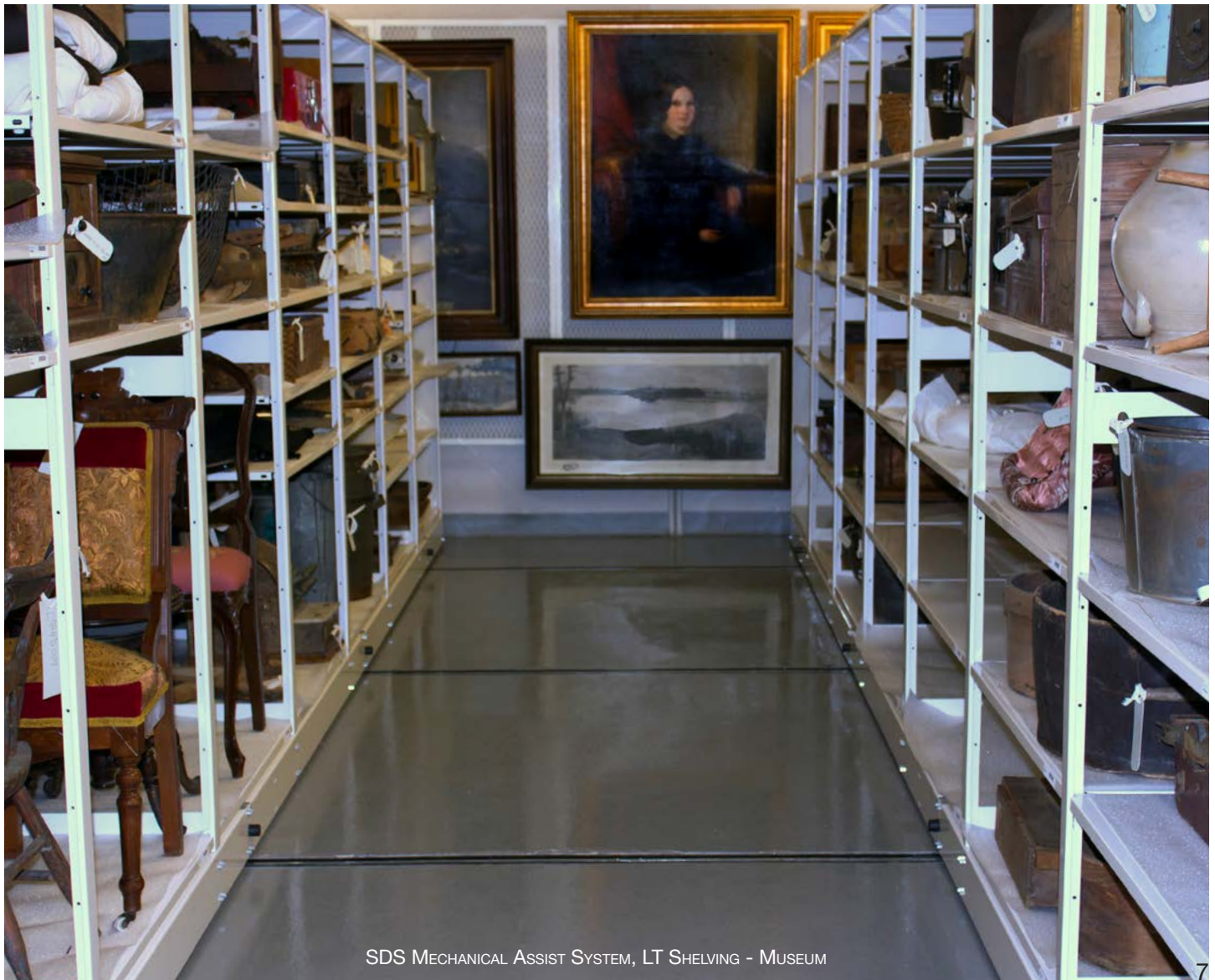
SDS MECHANICAL ASSIST SYSTEM,  
LT SHELVING - ATHLETIC

## INLAID TRACK

- ✓ No decking required
- ✓ Installed tracks are flush with the finished floor
- ✓ Machinery and other heavy equipment can be driven directly over tracks
- ✓ Anti-bacterial
- ✓ Heavy duty - engineered to withstand immense loading
- ✓ ADA compliant
- ✓ Anti-tip safety protection



Carriage rails are recessed into the concrete slab so that the top of the rails is level with the finished floor surface. Tracks are accurately leveled and fully supported to withstand immense loading. Ideal for new building construction projects where the concrete pour can be coordinated with the track installation. Tracks are also capable of being installed within depressions that are cut into pre-existing concrete slabs.



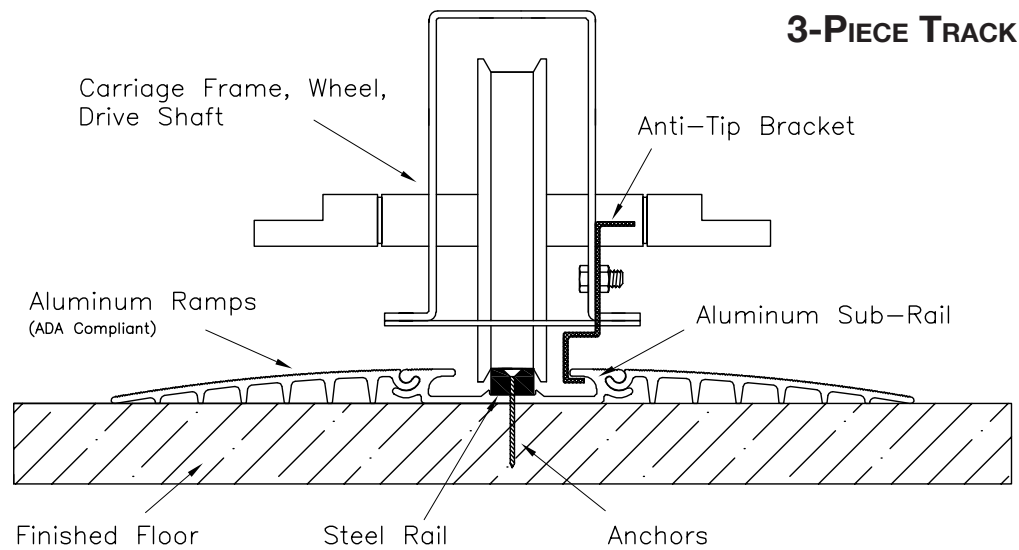
# 3-PIECE LOW-PROFILE TRACK



SDS MECHANICAL ASSIST SYSTEM, THINLINE TIER  
SHELVING, RAISED ACCESS FLOOR - CORPORATE

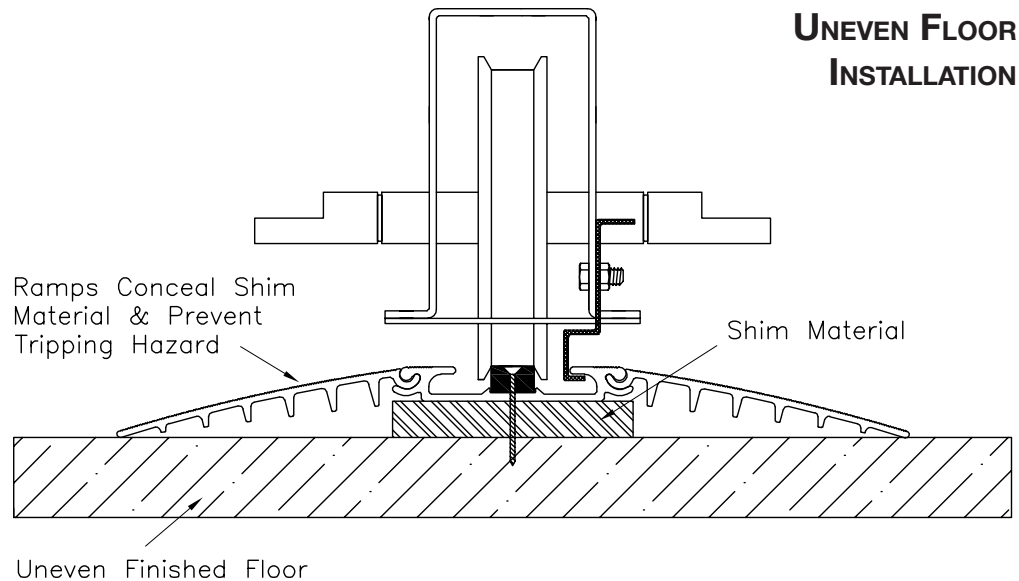


## 3-PIECE TRACK



- ✓ Economic solution
- ✓ No decking required
- ✓ Anti-bacterial
- ✓ ADA compliant on level surfaces
- ✓ Uneven surface installation
- ✓ Provided with shim material to compensate for variations in floor level
- ✓ Aluminum ramps conceal shim material and reduce risk of tripping
- ✓ Anti-tip safety protection

## UNEVEN FLOOR INSTALLATION



Spacefile's innovative 3-piece low-profile track is a floor-less rail system requiring no decking. Tracks are anchored directly into the finished floor and are provided with unique ADA compliant ramps. Ramps are also capable of being pivoted to enable installation on uneven surfaces that would normally preclude the installation of conventional floor-less rail systems. Ideal for installation on raised access floors in which the tracks can be aligned directly on top load-bearing pedestals to optimally distribute weight.

SDS MECHANICAL ASSIST SYSTEM, LT SHELVING, RAISED ACCESS FLOOR - LEGAL

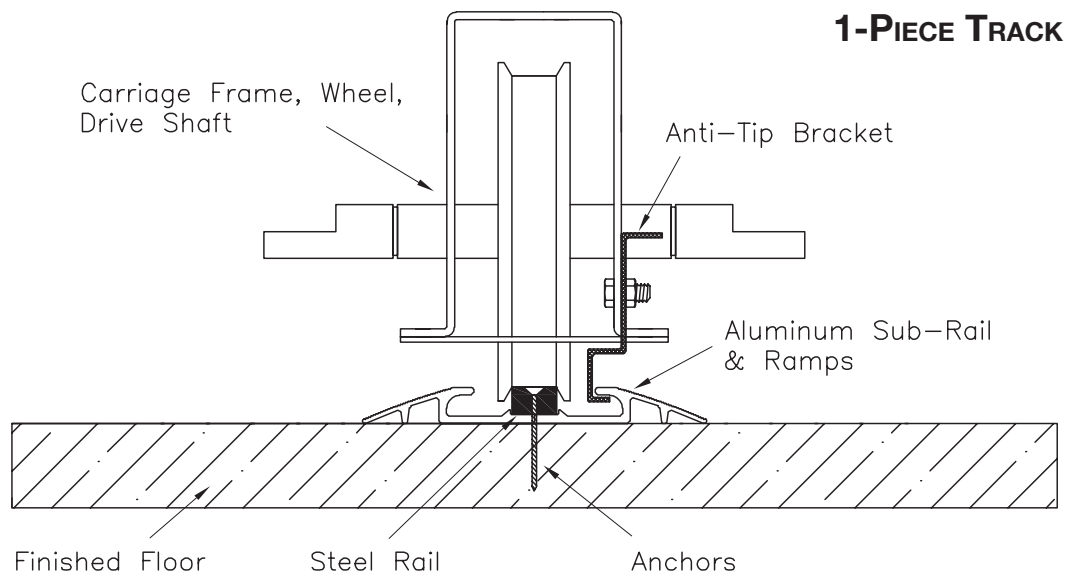


# 1-PIECE LOW-PROFILE TRACK



SDS<sub>m</sub> SYSTEM, GALVANIZED STEEL SHELVING - RETAIL

- ✓ Economic solution
- ✓ No decking required
- ✓ Anti-bacterial
- ✓ Provided with shim material to compensate for minor variations in floor level
- ✓ Anti-tip safety protection

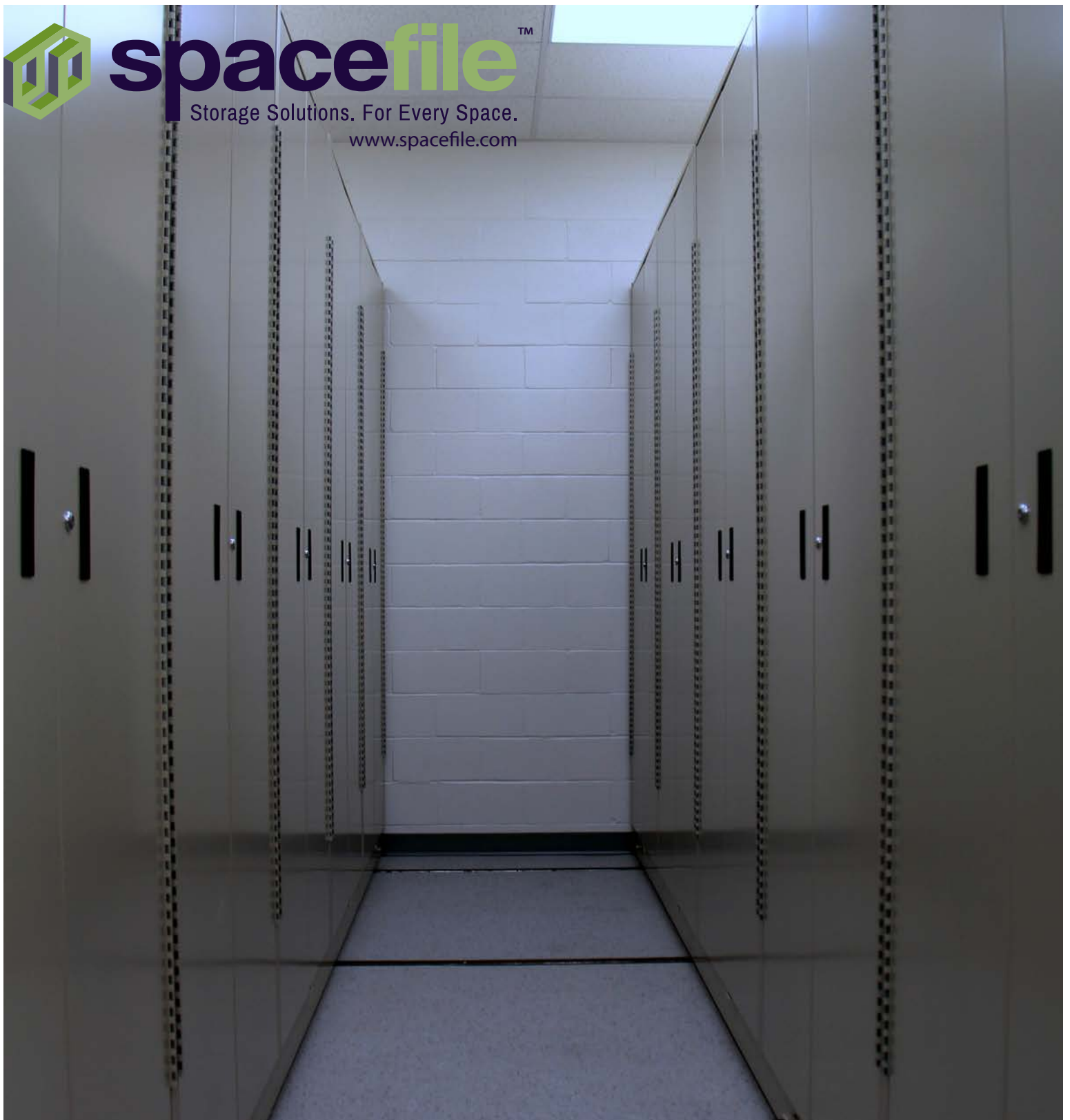


A cost-effective floor-less rail system requiring no decking, in which tracks are anchored directly into the finished floor. Ideal for installation on raised access floors in which the tracks can be aligned directly on top load-bearing pedestals to optimally distribute weight.



# spacefile™

Storage Solutions. For Every Space.  
[www.spacefile.com](http://www.spacefile.com)



**SPACEFILE INTERNATIONAL CORP.**

**Acme Visible**  
**[www.acmevisible.com](http://www.acmevisible.com)**  
**604-668-8380**  
**1-800-663-9111**