

EMPTEEZY[®]
working for the environment

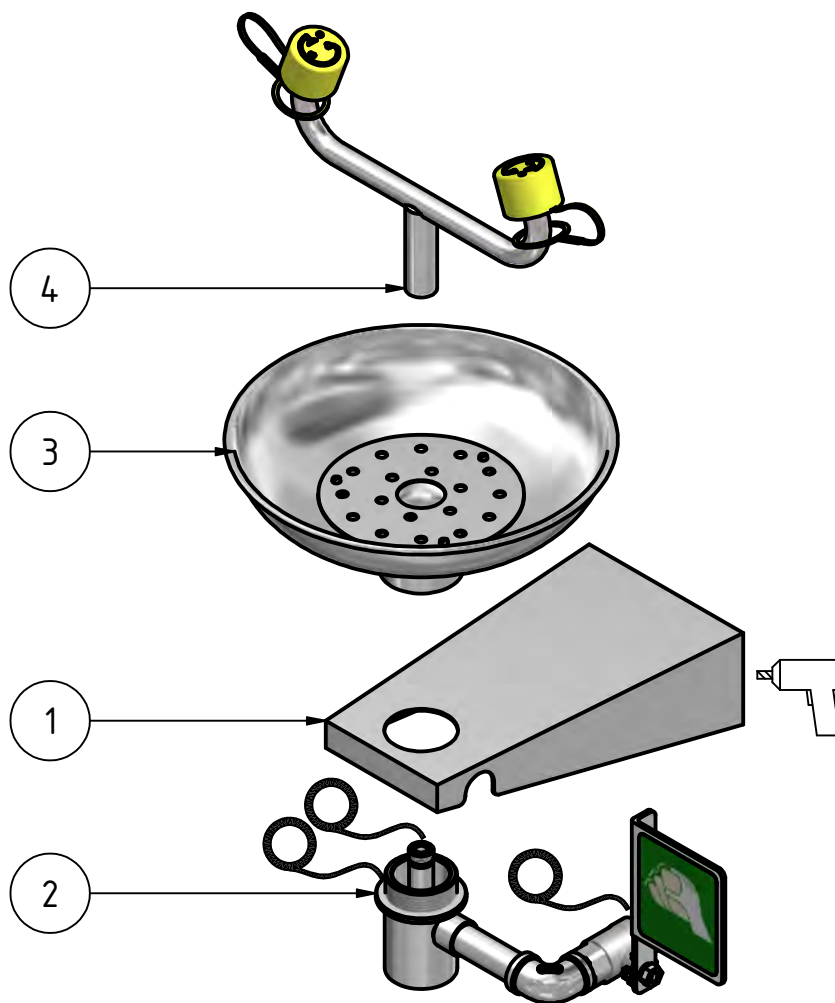
Empteezy, Houstoun Industrial Estate, 4 Muir Road, Livingston, West Lothian, Scotland. EH54 5DR.
• +44 (0)1506 430 309 • +44 (0)1506 441 466 • advice@empteezy.co.uk • www.empteezy.co.uk

TOLERANCE IN GENERAL ISO 2768
- m

SCALE 1:5

MODEL: **WMEM-SS**

EMERGENCY EYEWASH, WALL MOUNTED, STAINLESS STEEL



List of Parts

Part	Quantity	Model	Description
1	1	972051	STAINLESS STEEL WEALL SUPPORT BRACKET
2	1	181020	STAINLESS STEEL EYEWASH BLOCK ASSEMBLY
3	1	191150	STAINLESS STEEL; EYEWASH BOWL
4	1	191136	STAINLESS STEEL EYEWASH ASSEMBLY

EMPTEEZY[®]
working for the environment

Empteezy, Houstoun Industrial Estate, 4 Muir Road, Livingston, West Lothian, Scotland. EH54 5DR.
• +44 (0)1506 430 309 • +44 (0)1506 441 466 • advice@empteezy.co.uk • www.empteezy.co.uk

TOLERANCE IN GENERAL ISO 2768
- m

SCALE 1:5

MODEL: **WMEW-SS**

EMERGENCY EYEWASH, WALL MOUNTED, STAINLESS STEEL