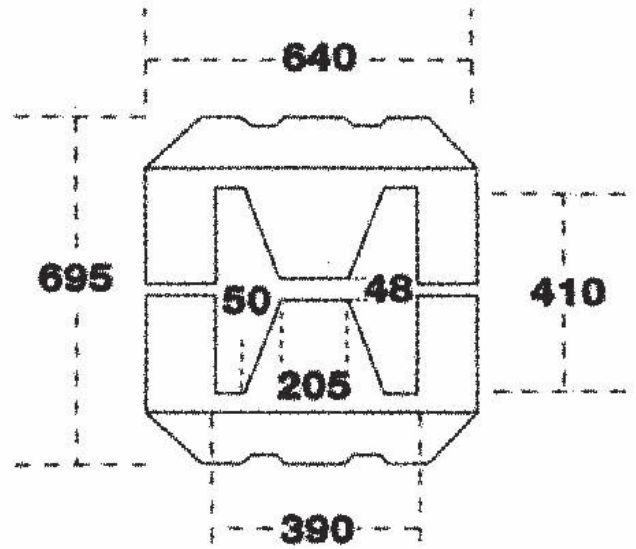


## UBP2 - Column Protector

Rotationally moulded from polyethylene, this highly visible, maintenance free column protector is an extremely effective way to protect your buildings and goods from forklift truck damage.

Notes: This product is not designed for use with cast iron columns

You will require an appropriate size/capacity fork lift truck to offload this item from the delivery vehicle. Our standard delivery doesn't include any offloading.



### SPECIFICATION

External Size	695mm L x 640mm W x 1000mm H
Colour	Yellow
Tare Weight	39kg

