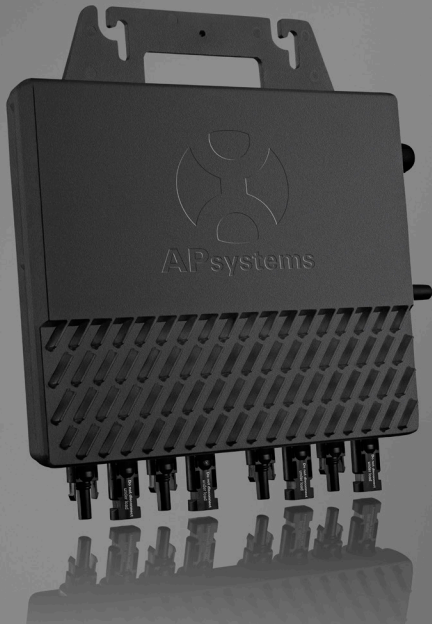




Leading the Industry in
Solar Microinverter Technology



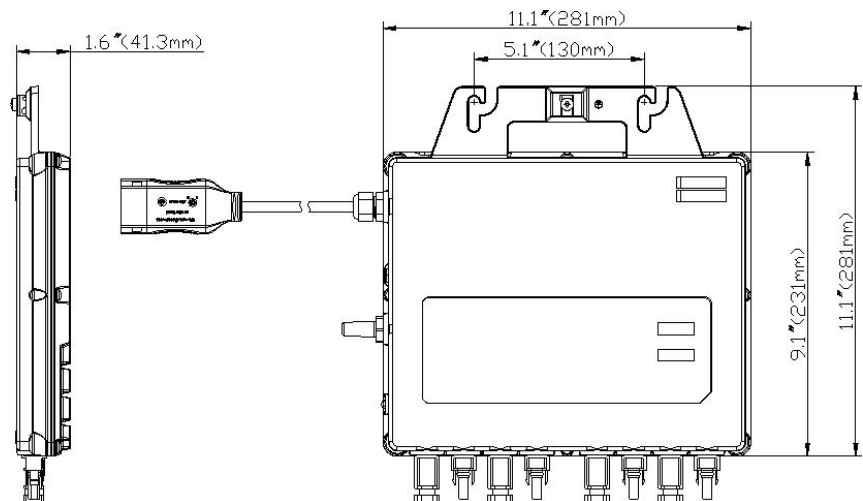
QS1

- Quad module microinverter with independent MPPT
- Maximum continuous output power up to 1,200W
- Wide MPPT voltage range (22V-48V)
- Accommodates modules up to 440W
- Meets NEC 2014/2017 690.12 Rapid Shutdown requirements
- Zigbee communication and online monitoring

APsystems breaks new ground once again with the QS1, a cutting edge microinverter design accommodating up to four high-capacity PV modules up to 450W+ with independent MPPT. A single-phase, smart grid-compliant microinverter, the QS1 features Zigbee wireless communication over a mesh network with faster data speeds than PLC, and a wide MPPT voltage range results in a greater energy harvest for homeowners.

A true utility-interactive microinverter with Reactive Power Control (RPC) technology, the QS1 is inherently NEC 690.12 2014/2017 Rapid Shutdown compliant. The unit also builds on the successful APsystems line of multi-module microinverters, simplifying installation and reducing costs.

DIMENSIONS:



APsystems QS1 Microinverter Datasheet

INPUT DATA (DC) PER CHANNEL

Module Compatibility	60 + 72 Cell PV Modules
MPPT Voltage Range	22V-48V
Operation Voltage Range	16V-55V
Maximum Input Voltage	60V
Startup Voltage	20V
Maximum Input Current	12A
Maximum DC short circuit current	15A
Recommended PV Module Input Power	440W

OUTPUT DATA (AC)

	240V	208V
Maximum Continuous Output Power	1,200W	1,100W
Nominal Output Voltage/Range	240V/211V-264V	208V/183V-229V
Nominal Output Current	5.00A	5.29A
Nominal Output Frequency/Range	60Hz/59.3Hz-60.5Hz	
Power Factor	>0.99	
Total Harmonic Distortion	<3%	
Maximum units per branch	3 (12 PV modules)	3 (12 PV modules)

EFFICIENCY

Peak Efficiency	96.5%
Nominal MPPT Efficiency	99.5%
Night Power Consumption	30mW

MECHANICAL DATA

Operating Ambient Temperature Range	-40°F to +149°F(-40°C to +65°C)
Storage Temperature Range	-40°F to +185°F(-40°C to +85°C)
Dimensions (W x H x D)	11.1" x 9.1" x 1.6"(281mm x 231mm x 41.3mm)
Weight	9.9lbs (4.5kg)
AC Trunk Cable Maximum Current	20A
Enclosure Rating	NEMA 6
Cooling	Natural Convection - No Fans

FEATURES

Communication	Wireless (Zigbee)
Transformer Design	High Frequency Transformers, Galvanically Isolated
Monitoring	Via EMA* Online Portal
Warranty	10 years standard, extendable to 25 years

CERTIFICATE & COMPLIANCE

Safety and EMC Compliance	FCC Part15; ANSIC63.4; ICES-003
Certificate & Compliance	UL1741**, CSAC22.2No.107.1-01 UL 1741 SA/Rule 21 compliant (240V version only)
Grid Connection Compliance	IEEE1547
Rapid Shutdown	Meets NEC 2014/2017 690.12



** Meets the standard requirements for Distributed Energy Resources (UL 1741) and identified with the CSA Listed Mark.

Specifications subject to change without notice - please ensure you are using the most recent update found at www.APsystems.com

2.17.20 © All Rights Reserved

