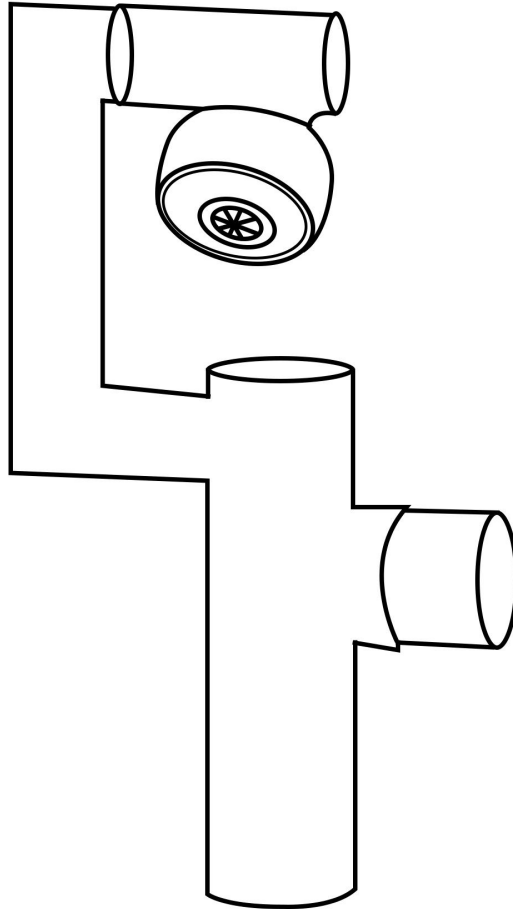


User's Manual



INSTALLATION INSTRUCTIONS

Installation Manual



RB1197

IAPMO RESEARCH AND TESTING, INC.
5001 East Philadelphia Street, Ontario, California 91761-2816 • USA • 909-472-4100 • 909-472-4244 • www.iapmo.com

ANSI **IAPMO R&T** **UPC**

CERTIFICATE OF LISTING

IAPMO Research and Testing, Inc. is a private not-for-profit body which tests and reports results based on the supplier's claim or from the number of a combination of tests to verify compliance to the requirements of applicable codes and standards. This entity is required to provide notification of the supplier's listing and compliance to the requirements of the applicable Codes, Standards and Regulations. This listing is subject to the conditions and terms of the International Plumbing Code and the International Mechanical Code as published by International Code Council, Inc. or the product recognized by Authority Having Jurisdiction.

This certificate is not evidence of current listing. To verify listing status, visit the IAPMO R&T Product Listing Directory at pl.iapmo.org

Effective Date: December 2019 - Rev. 2/24/2020 - Void After: December 2024
Product: Flexible Water Connectors File No. 5311
Issued To: Fanksi Group Inc.
Mechanical & Electrical
Industrial Zone
Yuhuan County,
Yuhuan 317600, ZHEJIANG
China

Identification: Products shall be marked with manufacturer's name or trademark, a statement "For use with water in accessible locations only." The products shall also bear the UPC certification mark. Markings shall be by means of either a permanent mark on the product, a label on the product or a tag attached to the product.

Characteristics: Flexible water connectors manufactured in various sizes, lengths and metal end fittings for hot or cold water applications that consist of an inner tube, which may or may not have an outer braided cover. Connectors are to be installed for use in accessible locations only, to be installed in accordance with the manufacturer's instruction, and the latest edition of the Uniform Plumbing Code and National Plumbing Code of Canada.

Products listed on this certificate have been tested by an IAPMO R&T recognized laboratory. This recognition has been granted based upon:

Sam Collins Chairman, Product Certification Committee
Ran Chang CEO, The IAPMO Group

This listing is not a warranty, approval, or endorsement of the quality of the product. It is the responsibility of the manufacturer to ensure that the product is installed and used in accordance with the manufacturer's instructions. The listing is subject to the conditions and terms of the International Plumbing Code and the International Mechanical Code as published by International Code Council, Inc. or the product recognized by Authority Having Jurisdiction. Any alteration of this certificate could be grounds for revocation of the listing. This document shall be reproduced in its entirety.

IAPMO RESEARCH AND TESTING, INC.
5001 East Philadelphia Street, Ontario, California 91761-2816 • USA • 909-472-4100 • 909-472-4244 • www.iapmo.com

ANSI **IAPMO R&T** **UPC**

CERTIFICATE OF LISTING

IAPMO Research and Testing, Inc. is a private not-for-profit body which tests and reports results based on the supplier's claim or from the number of a combination of tests to verify compliance to the requirements of applicable codes and standards. This entity is required to provide notification of the supplier's listing and compliance to the requirements of the applicable Codes, Standards and Regulations. This listing is subject to the conditions and terms of the International Plumbing Code and the International Mechanical Code as published by International Code Council, Inc. or the product recognized by Authority Having Jurisdiction.

This certificate is not evidence of current listing. To verify listing status, visit the IAPMO R&T Product Listing Directory at pl.iapmo.org

Effective Date: November 2019 - Rev. 2/24/2020 - Void After: November 2024
Product: Plumbing Fixture Fittings File No. 10433
Issued To: Aqua Gallery Co., Ltd
13th-15th A/D Block
International Creative
Sanitary City, 52800
Foshan,
China

Identification: Plumbing supply fittings complying with this Standard shall be marked with the manufacturer's recognized name, trademark, or other mark or, in the case of private labeling, the name, trademark or other mark of the customer for whom the fitting was manufactured. The marking shall be accompanied by use of a permanent mark or by placing a permanent label on the product. Markings on plumbing supply fittings shall be visible after installation.

Single-handle, single-control, and automatic compensating mixing bath and shower valves shall have identifiable temperature control settings in which the settings are indicated by words "cold", "warm", "hot", etc.), by numbers, or graphically.

Package shall be marked with the manufacturer's name, trademark, or other mark as well as the model number or, in the case of private

Sam Collins Chairman, Product Certification Committee
Ran Chang CEO, The IAPMO Group

This listing is not a warranty, approval, or endorsement of the quality of the product. It is the responsibility of the manufacturer to ensure that the product is installed and used in accordance with the manufacturer's instructions. The listing is subject to the conditions and terms of the International Plumbing Code and the International Mechanical Code as published by International Code Council, Inc. or the product recognized by Authority Having Jurisdiction. Any alteration of this certificate could be grounds for revocation of the listing. This document shall be reproduced in its entirety.

IAPMO RESEARCH AND TESTING, INC.
5001 East Philadelphia Street, Ontario, California 91761-2816 • USA • 909-472-4100 • 909-472-4244 • www.iapmo.com

ANSI **IAPMO R&T** **UPC**

CERTIFICATE OF LISTING

IAPMO Research and Testing, Inc. is a private not-for-profit body which tests and reports results based on the supplier's claim or from the number of a combination of tests to verify compliance to the requirements of applicable codes and standards. This entity is required to provide notification of the supplier's listing and compliance to the requirements of the applicable Codes, Standards and Regulations. This listing is subject to the conditions and terms of the International Plumbing Code and the International Mechanical Code as published by International Code Council, Inc. or the product recognized by Authority Having Jurisdiction.

This certificate is not evidence of current listing. To verify listing status, visit the IAPMO R&T Product Listing Directory at pl.iapmo.org

Effective Date: March 2019 - Rev. 2/24/2020 - Void After: March 2024
Product: Plumbing Fixture Fittings - Components File No. 9703
Issued To: Kingho Nanhai Cartridge Technology Co., Ltd.
Nanhai Zone, Chouhu
Fengshan, HUIZHOU 52539
China

Identification: Each fitting component shall bear permanent legible markings to identify the manufacturer. This marking shall be the trade name, trademark, or other mark known to identify the manufacturer. The product shall also bear all other markings required by the standard. The marking shall be applied so as to be visible after installation. The product or packaging shall also bear the UPC certification mark along with the term "COMPOSITE" above.

Characteristics: Plumbing fixture fitting components to be installed in accordance with the manufacturer's instructions and the requirements of the latest edition of the Uniform Plumbing Code.

Products listed on this certificate have been tested by an IAPMO R&T recognized laboratory. This recognition has been granted based upon the laboratory's compliance to the applicable requirements of ISO/IEC 17025.

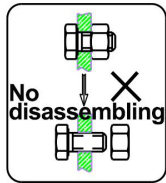
Products are in compliance with the following code(s):
Uniform Plumbing Code (UPC)

Sam Collins Chairman, Product Certification Committee
Ran Chang CEO, The IAPMO Group

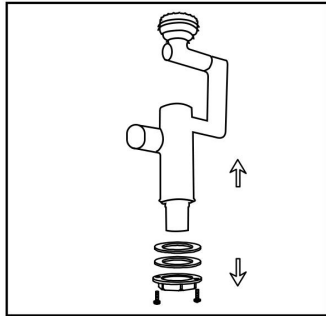
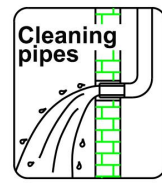
This listing is not a warranty, approval, or endorsement of the quality of the product. It is the responsibility of the manufacturer to ensure that the product is installed and used in accordance with the manufacturer's instructions. The listing is subject to the conditions and terms of the International Plumbing Code and the International Mechanical Code as published by International Code Council, Inc. or the product recognized by Authority Having Jurisdiction. Any alteration of this certificate could be grounds for revocation of the listing. This document shall be reproduced in its entirety.

INSTALLATION STEPS

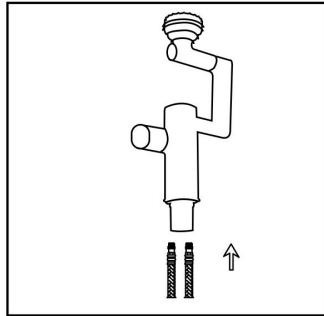
This product has been inspected and debugged by the factory to the best condition. Please do not disassemble and assemble it yourself.



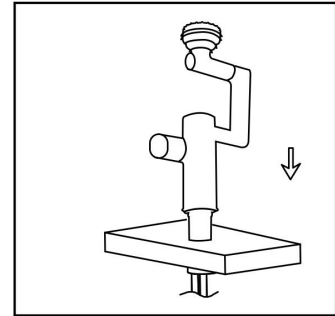
Before installing the product, please be sure to remove sundries and sludge from the water pipe to prevent sundries from blocking the product.



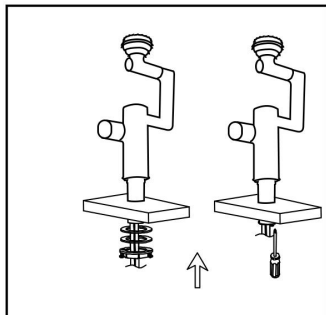
1. Remove the rubber washer, metal washer and locking nut from the faucet.



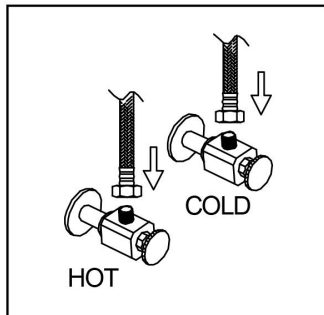
2. Screw and hand tighten the hot and cold flexible hoses to the faucet. DO not use a wrench to tighten hoses as this may damage the hose and/or the hose threads.



3. Install faucet through center hole.



4. Re-install the rubber washer followed by the metal washer and lock-nut. Hand tighten then tighten further using a screw driver to tighten lock-nut screws.



5. Attach flexible hose to water supply.

CLEANING CARE

In order to keep the appearance of product clean, bright and good performance, please take care of the product as follows;

1. Rinse with water only and dry with soft cotton cloth;
2. Use mild liquid and colorless glass cleaner to remove surface dirt and scale film, or use polish without abrasive effect;
3. Do not use abrasive detergent, polish, emery cloth, paper towel or scraper, etc;
4. Do not use acid cleaner, or cleaner and soap with insoluble gran etc;
5. In the process of use, mud may accumulate in the bubbler and make the water flow show, The bubbler can be unscrewed, rinsed with water, and then installed back in place.



Please feel free to contact us if you have any questions. We will help to solve the issue together with you. OUR EMAIL: services@rbrohant.com



Manufacturer: Rbrohant

After-sale phone: +1(801) 800-9309

After-sale email: services@rbrohant.com