



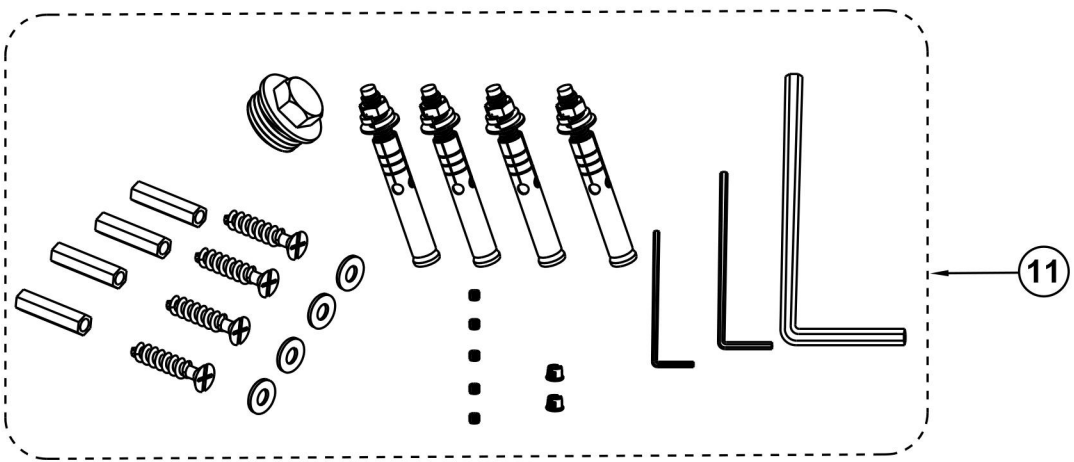
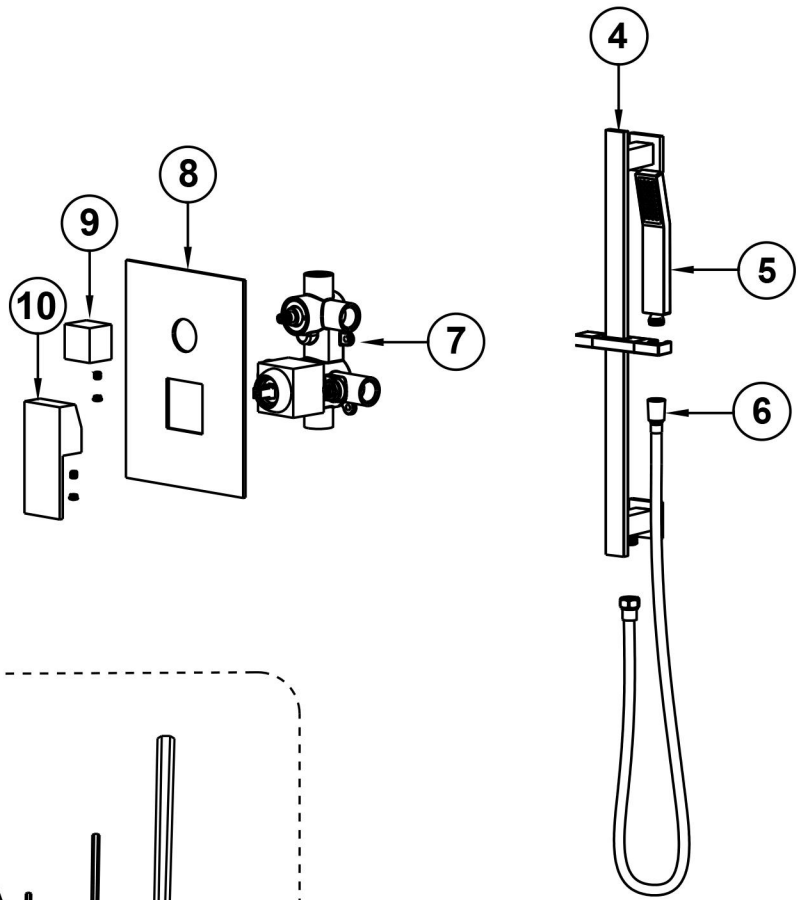
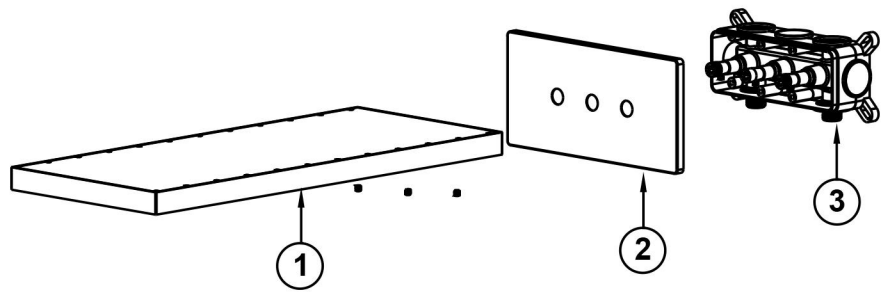
# User's Manual





# BEFORE INSTALLATION

NO.	Item	Qty
1	Waterfall Top Shower	1
2	Plate	1
3	Waterfall Preburied Box	1
4	Lifting Lever	1
5	Hand shower	1
6	Shower Hose	1
7	Main Body	1
8	Plate	1
9	Diverter Cap	1
10	Switch Handle	1
11	Accessory bag	1



## Check accessories

### Standard List of Accessories:

When you open the product packaging, please check whether the objects in it are consistent with the main body and accessories you purchased. If there is any inconsistency, please contact our company or our distributor.

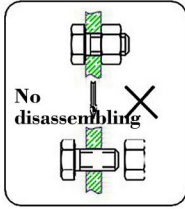
Note: 1. Accessories are subject to change without prior notice if the change does not affect usage;

2. The appearance of the product is subject to the physical objects you receive, and the schematic diagram is only for reference.

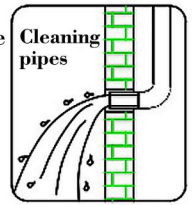


# INSTALLATION STEPS

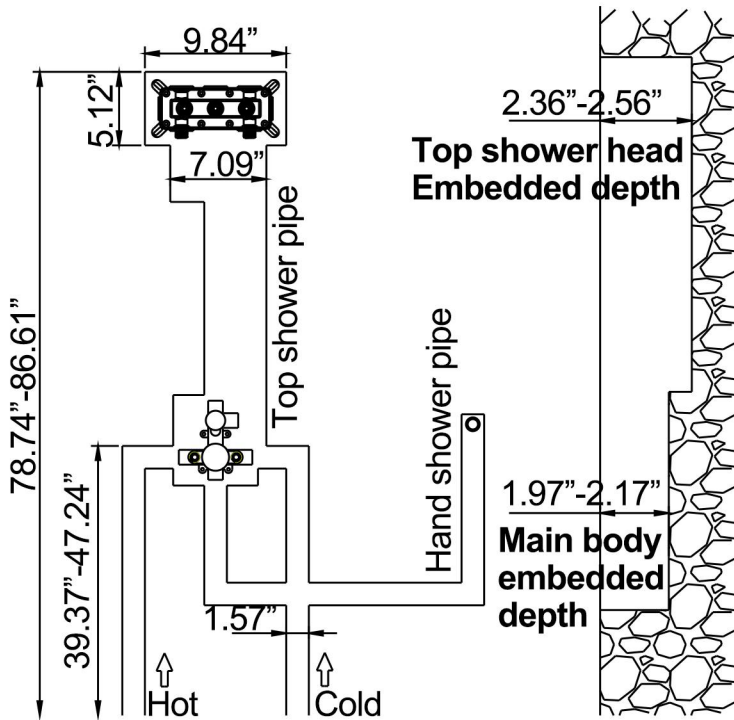
This product has been inspected and debugged by the factory to the best condition. Please do not disassemble and assemble it yourself.



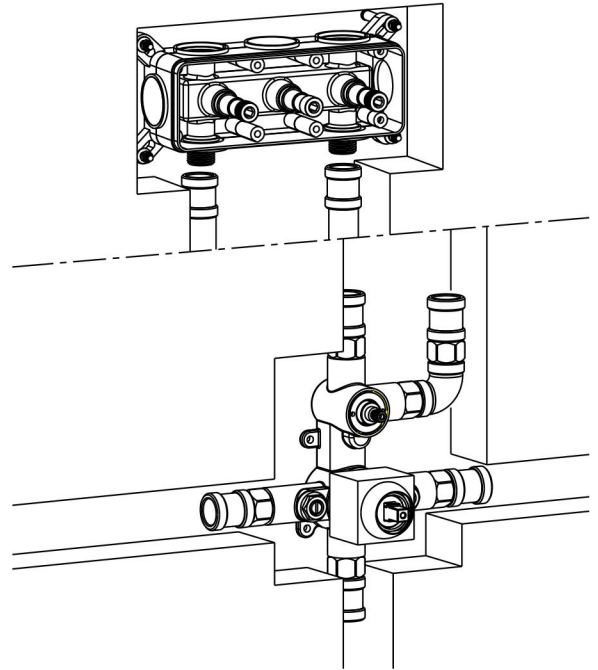
Before installing the faucet, please be sure to remove sundries and sludge from the water pipe to prevent sundries from blocking the faucet.



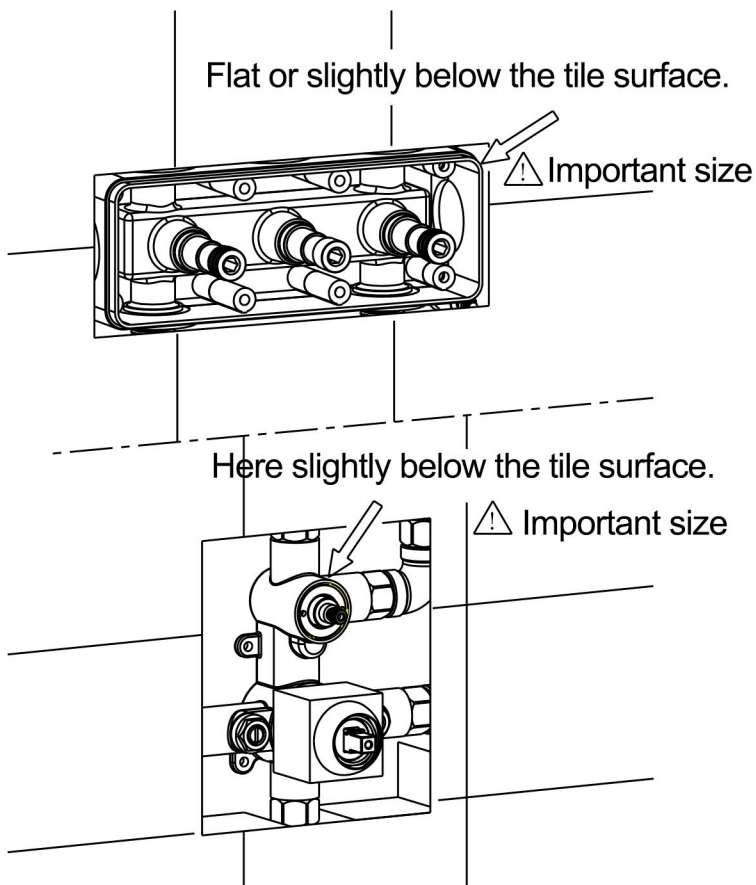
1. Dig pipe grooves for pre-burying pipes.



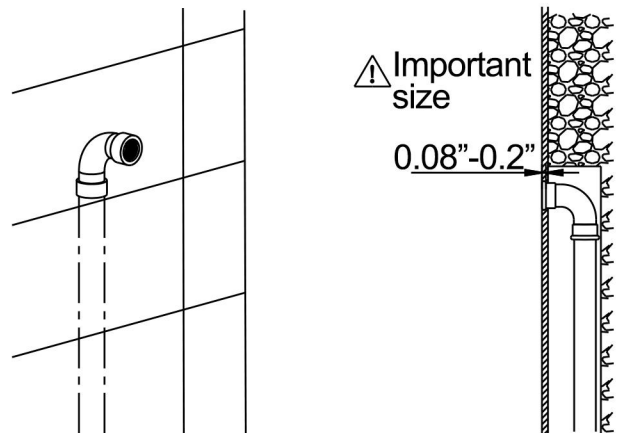
2. Install the shower body and the faucet body.



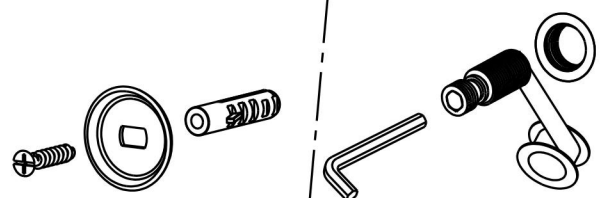
3. Attach the tiles.  
Refer to Figure 4 for important dimensions.



4. The water outlet of the hand shower is slightly lower than the tile surface.



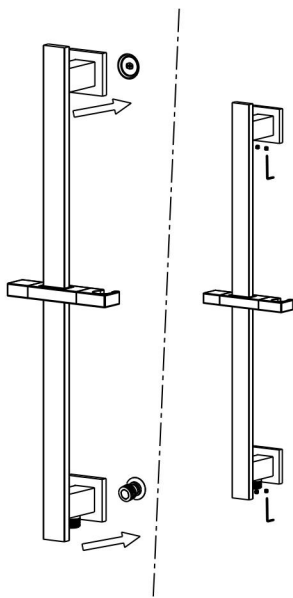
5. Determine the location of the mounting hole according to the actual size, and drill a hole in the wall.



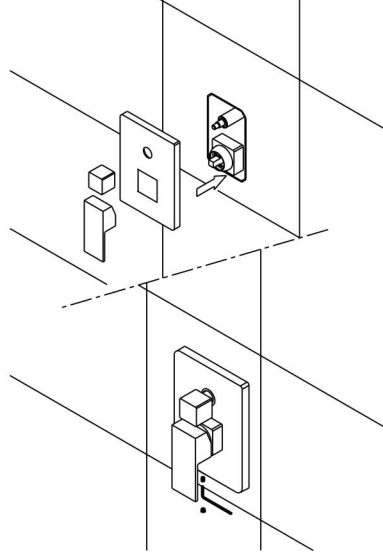
(wrap the PTFE tape on the thread).

# INSTALLATION STEPS

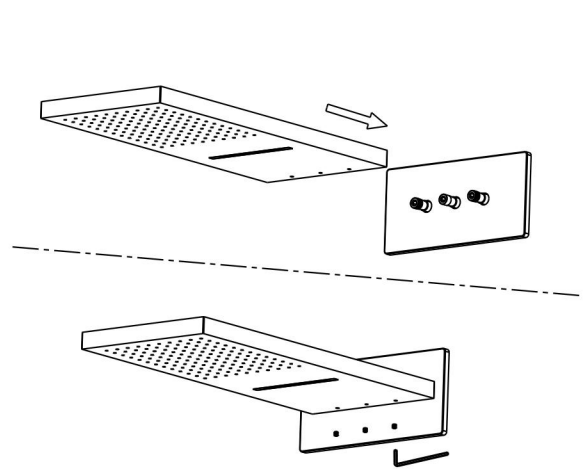
6. Install the lifting lever.



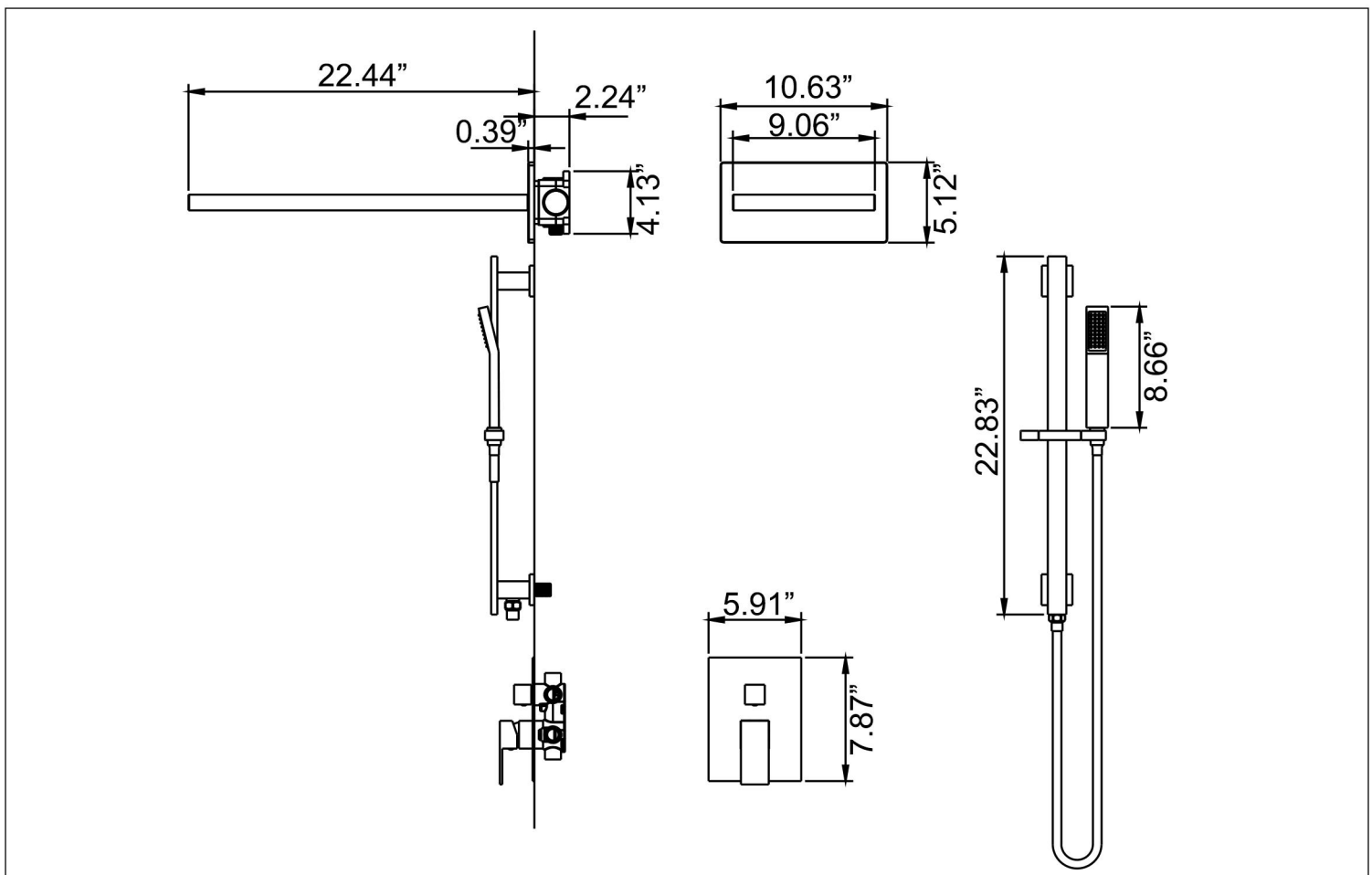
7. Install the plate and handle.



8. Install the shower body.



## INSTALLATION DIMENSION



## CLEANING CARE

In order to keep the appearance of faucet clean, bright and good performance, please take care of the faucet as follows;

1. Rinse with water only and dry with soft cotton cloth;
2. Use mild liquid and colorless glass cleaner to remove surface dirt and scale film, or use polish without abrasive effect;
3. Do not use abrasive detergent, polish, emery cloth, paper towel or scraper, etc.;
4. Do not use acid cleaner, or cleaner and soap with insoluble gran etc.;
5. In the process of use, mud may accumulate in the bubbler and make the water flow show, The bubbler can be unscrewed, rinsed with water, and then installed back in place.



Please feel free to contact us if you have any questions. We will help to solve the issue together with you. OUR EMAIL: [services@rbrohant.com](mailto:services@rbrohant.com)



Service Contact:  
**+1(801) 800-9309**  
**services@rbrohant.com**

Made in China