

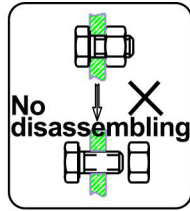


User's Manual

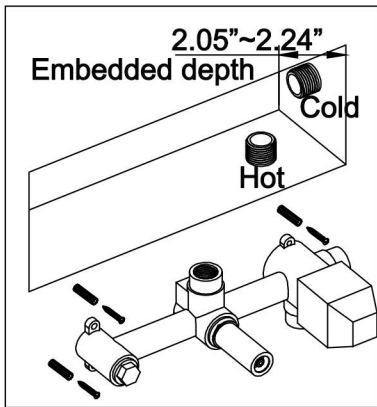


INSTALLATION STEPS

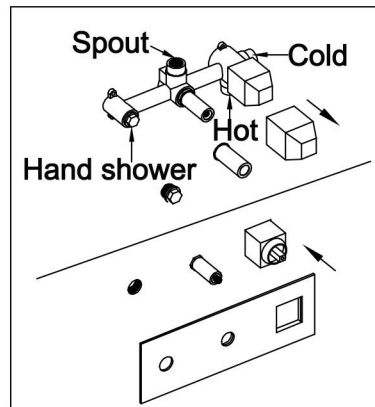
This product has been inspected and debugged by the factory to the best condition. Please do not disassemble and assemble it yourself.



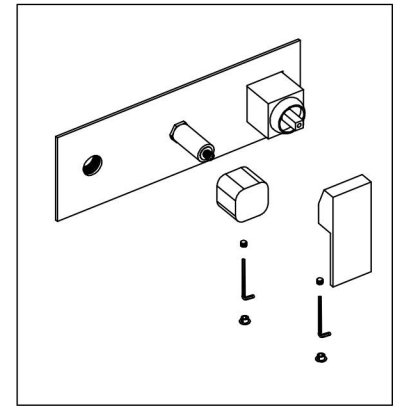
Before installing the product, please be sure to remove sundries and sludge from the water pipe to prevent sundries from blocking the product.



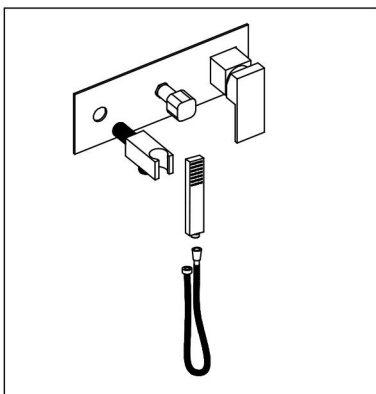
1. Open holes [size of opening is (10.43"-10.71")x(3.62"-3.78")x(2.05"-2.24")inch (LxWxD)] and embedded water pipes (hot and cold inlet pipes, outlet pipes) as required; Install the main body in the embedded hole and connect the pipe.



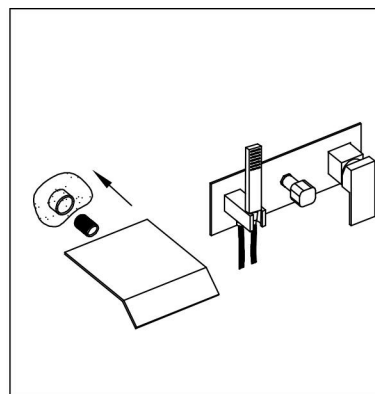
2. Fill the embedded hole after no water leakage, and press the panel to the wall after removing the protective cover.



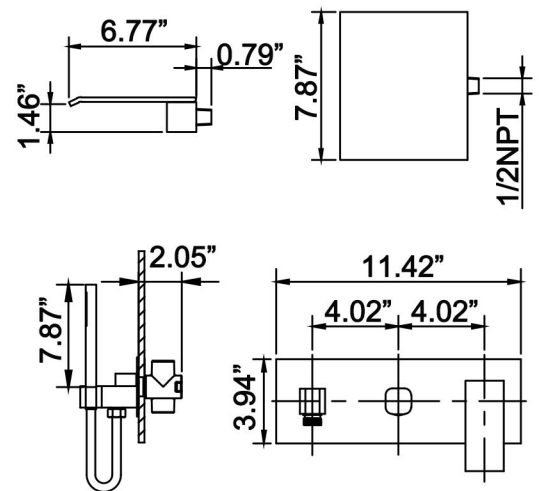
3. Use the hexagon key to install the switch handle and water separator handle and install the color button.



4. Screw the shower seat to the main body mounting hole (be careful to keep it horizontal); use a hose to twist the shower seat interface and the hand-held shower interface together.



5. Install the spout to the outlet in the wall.



CLEANING CARE

In order to keep the appearance of product clean, bright and good performance, please take care of the product as follows;

1. Rinse with water only and dry with soft cotton cloth;
2. Use mild liquid and colorless glass cleaner to remove surface dirt and scale film, or use polish without abrasive effect;
3. Do not use abrasive detergent, polish, emery cloth, paper towel or scraper, etc;
4. Do not use acid cleaner, or cleaner and soap with insoluble gran etc;
5. In the process of use, mud may accumulate in the bubbler and make the water flow show, The bubbler can be unscrewed, rinsed with water, and then installed back in place.



Please feel free to contact us if you have any questions. We will help to solve the issue together with you. OUR EMAIL: services@rbrohant.com



Service Contact:
+1(801) 800-9309
services@rbrohant.com

Made in China