

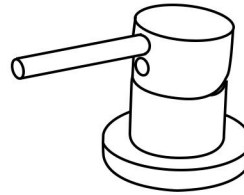
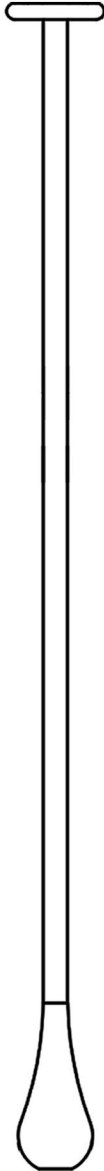


User's Manual



INSTALLATION INSTRUCTIONS

Installation Manual



RB1008

IAPMO RESEARCH AND TESTING, INC.
5001 East Philadelphia Street, Ontario, California 91761-2816 • (909) 472-4100 Fax (909) 472-4244 • www.iapmo.org

CERTIFICATE OF LISTING

The most updated information on this Certificate of Listing is available online at pld.iapmo.org

Effective Date: August 2013 Void After: August 2016

Product: Plumbing Fixture Fittings File No. 6137

Issued To: **Haiping Heart Cartridge Co., Ltd.**
No. 28 Heilman Dony Road,
Shilong Town,
Haiping City, GUANGDONG
China

Identification: Plumbing supply fittings complying with this Standard shall be marked with the manufacturer's recognized name, trademark, or other mark or, in the case of private labeling, the name, trademark, or other mark of the customer for whom the fitting was manufactured. The marking shall be accomplished by use of a permanent mark or by placing a permanent label on the product. Markings on plumbing supply fittings shall be visible after installation.

Single-handle, single-control, and automatic compensating mixing bath and shower valves shall have identifiable temperature control settings in which the settings are indicated by words "cold", "warm", "hot", etc.), by numbers, or graphically.

Packages shall be marked with the manufacturer's name, trademark, or other mark as well as the model number or, in the case of private labeling, the name, trademark, or mark of the customer for whom the fitting was manufactured as well as the model number.

David McHenry
Chairman, Product Certification Committee

Ross Cheney
CEO, The IAPMO Group

This listing period is based upon the last date of the month indicated on the Effective Date and last date of the month shown above. Any change in material, manufacturing process, marking or design without having first obtained the approval of the Product Certification Committee, or any violation of manufacturing process, marking or design without having first obtained the approval of the Product Certification Committee, or any violation of manufacturing process, marking or design without having first obtained the approval of the Product Certification Committee, shall be deemed sufficient cause for revocation of this listing. Production of or reference to this form for advertising purposes may be made only by specific written permission of IAPMO Research and Testing, Inc. Any alteration of this certificate shall be grounds for revocation of this listing. This document shall be reproduced in its entirety.

IAPMO RESEARCH AND TESTING, INC.
5001 East Philadelphia Street, Ontario, California 91761-2816 • (909) 472-4100 Fax (909) 472-4244 • www.iapmo.org

CERTIFICATE OF LISTING

The most updated information on this Certificate of Listing is available online at pld.iapmo.org

Effective Date: October 2016 -Rev. 11/28/2016- Void After: October 2017

Product: Flexible Water Connectors File No. 4955

Issued To: **Tuhan Jianglin Plumbing Hose & Parts Co., Ltd.**
Fuzhou Industry Zone
Tuhuan County
Chengde 317400,
China

Identification: Manufacturer's name or trademark and UPC® certification mark. Special note on label "For use with water in exposed locations only."

Characteristics: Flexible water connectors manufactured in various sizes, lengths and metal and fittings for hot or cold water applications that consist of an inner tube, which may or may not have an outer braided cover. Connectors are to be installed for use in accessible locations only and in accordance with the manufacturer's instruction, and the latest edition of the Uniform Plumbing Code.

Products listed on this certificate have been tested by an IAPMO RAT recognized laboratory. This recognition has been granted based upon the laboratory's compliance to the applicable requirements of ISO/IEC 17025.

Products are in compliance with the following code(s):
Uniform Plumbing Code (UPC®)

David McHenry
Chairman, Product Certification Committee

Ross Cheney
CEO, The IAPMO Group

This listing period is based upon the last date of the month indicated on the Effective Date and last date of the month shown above. Any change in material, manufacturing process, marking or design without having first obtained the approval of the Product Certification Committee, or any violation of manufacturing process, marking or design without having first obtained the approval of the Product Certification Committee, shall be deemed sufficient cause for revocation of this listing. Production of or reference to this form for advertising purposes may be made only by specific written permission of IAPMO Research and Testing, Inc. Any alteration of this certificate shall be grounds for revocation of this listing. This document shall be reproduced in its entirety.

IAPMO RESEARCH AND TESTING, INC.
5001 East Philadelphia Street, Ontario, California 91761-2816 • (909) 472-4100 • (909) 472-4244 • www.iapmo.org

CERTIFICATE OF LISTING

The most updated information on this Certificate of Listing is available online at pld.iapmo.org

Effective Date: November 2016 -Rev. 3/1/2017- Void After: November 2017

Product: Plumbing Fixture Fittings File No. 4528

Issued To: **Heppel, Inc.**
171 Mattatuck Heights
Hartford, CT 06105

Identification: Each fitting component shall bear permanent legible markings to identify the manufacturer. This marking shall be the trade name, trademark, or other mark known to identify the manufacturer. The product shall also bear all other markings required by the standard. The marking shall be located where it can be readily seen after installation is complete. The product or packaging shall also bear the UPC® certification mark.

Characteristics: Plumbing fixture fitting components to be installed in accordance with the manufacturer's instructions and the requirements of the latest edition of the Uniform Plumbing Code.

Products listed on this certificate have been tested by an IAPMO RAT recognized laboratory. This recognition has been granted based upon the laboratory's compliance to the applicable requirements of ISO/IEC 17025.

Products are in compliance with the following code(s):
Uniform Plumbing Code (UPC®)
National Plumbing Code of Canada

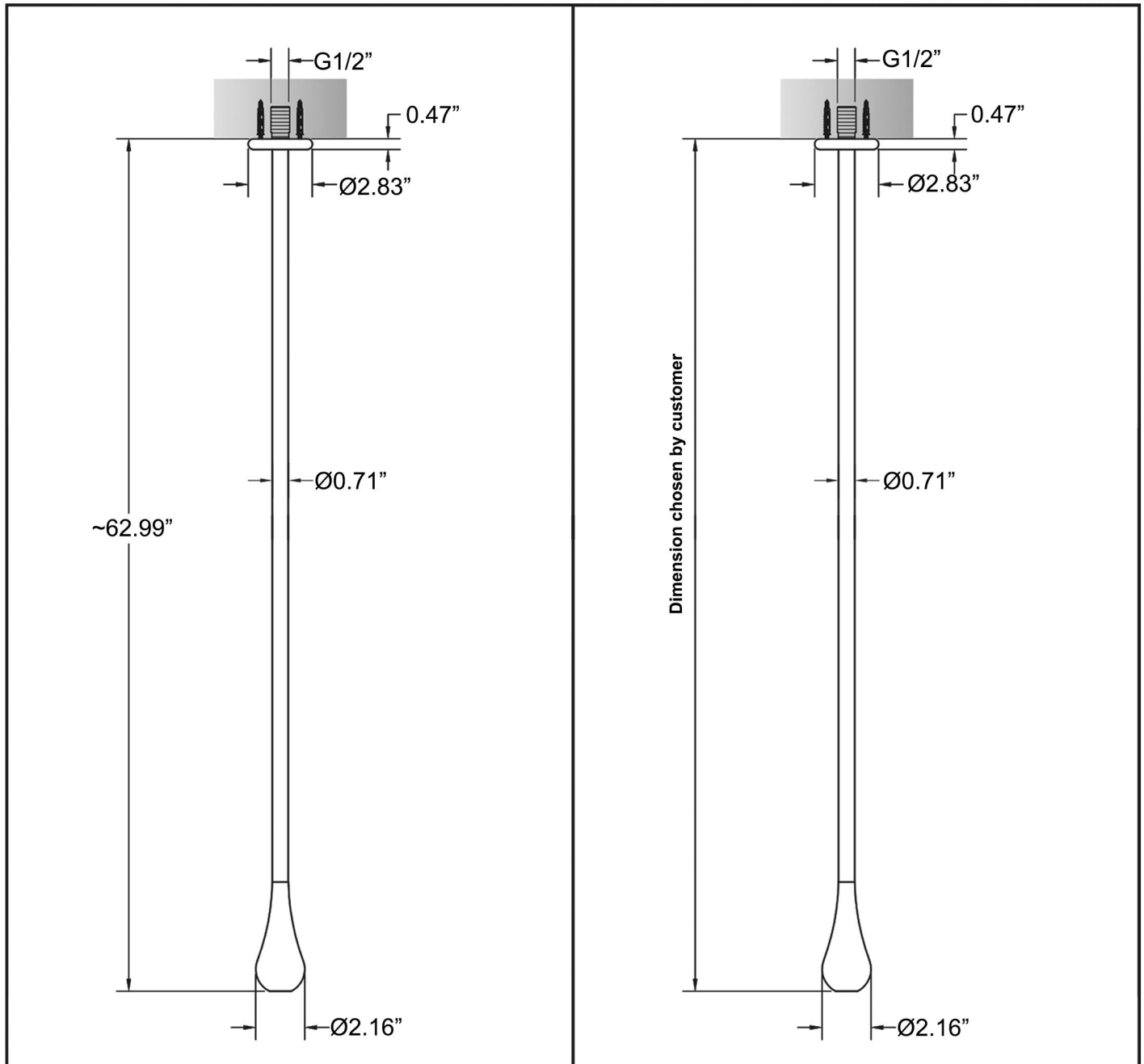
Tom Collins
Chairman, Product Certification Committee

Ross Cheney
CEO, The IAPMO Group

This listing period is based upon the last date of the month indicated on the Effective Date and last date of the month shown above. Any change in material, manufacturing process, marking or design without having first obtained the approval of the Product Certification Committee, or any violation of manufacturing process, marking or design without having first obtained the approval of the Product Certification Committee, shall be deemed sufficient cause for revocation of this listing. Production of or reference to this form for advertising purposes may be made only by specific written permission of IAPMO Research and Testing, Inc. Any alteration of this certificate shall be grounds for revocation of this listing. This document shall be reproduced in its entirety.

INSTALLATION METHOD OF DROPLET NOZZLE

Measures in inch



Before installation and setting to work

Attention! The feeding pipes have to be rinsed thoroughly before the installation of the mixer, so that no shavings, welding or hemp residual or other dirt can be found in the pipes. Foreign bodies can enter the mixer through the rinsed pipes or the general water plant and could damage the washers/ring washers. So filters should be installed also on the general system.

Before the setting to work, unscrew the aerator and rinse it very well.

TECHNICAL DATA

- Minimum working pressure 0,5 bar
- Maximum working pressure 5 bar
- Recommended working pressure 3 bar (in case of water pressure higher than 5 bar it is recommended to install pressure reducers)

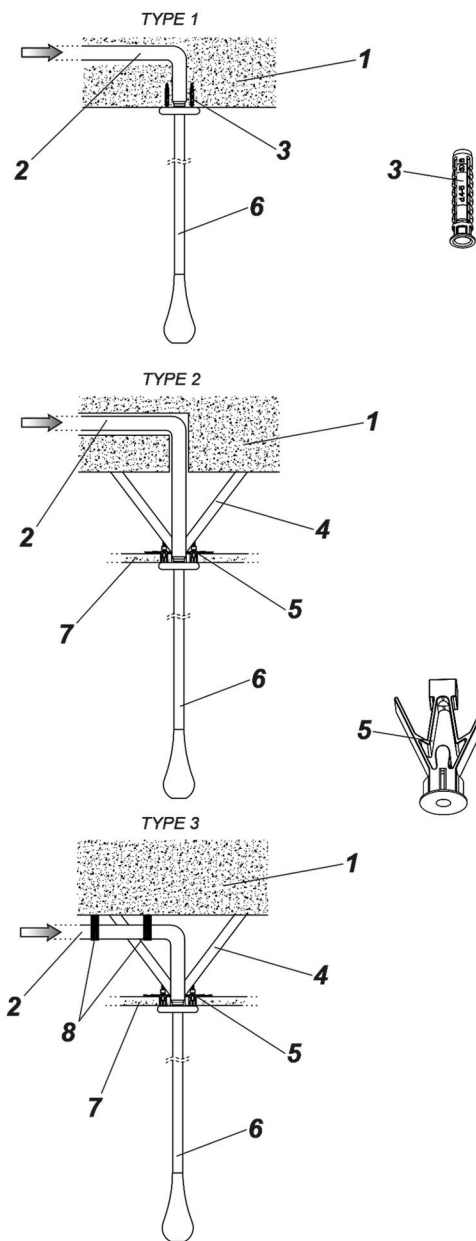
Types of installation:

Type 1 - Installation with ceiling concrete or pre-perforated brick fastening.

Type 2 - Installation with suspended ceiling fastening with supply inside the masonry (rigid supports not supplied).

Type 3 - Installation with suspended ceiling fastening with supply outside the masonry (rigid supports not supplied).

INSTALLATION METHOD OF DROPLET NOZZLE



LEGEND:

- 1 - Concrete ceiling/pre-perforated brick
- 2 - Supply pipe
- 3 - Fastening dowels for Concrete ceiling
- 4 - Rigid supports for supply pipe anchorage (not equipped with supply)
- 5 - Fastening dowels for plasterboard ceiling
- 6 - Ceiling spout
- 7 - False ceiling
- 8 - Ring supports for non-embedded pipes (not equipped with supply)

TYPE 1 - instructions for ceiling installation

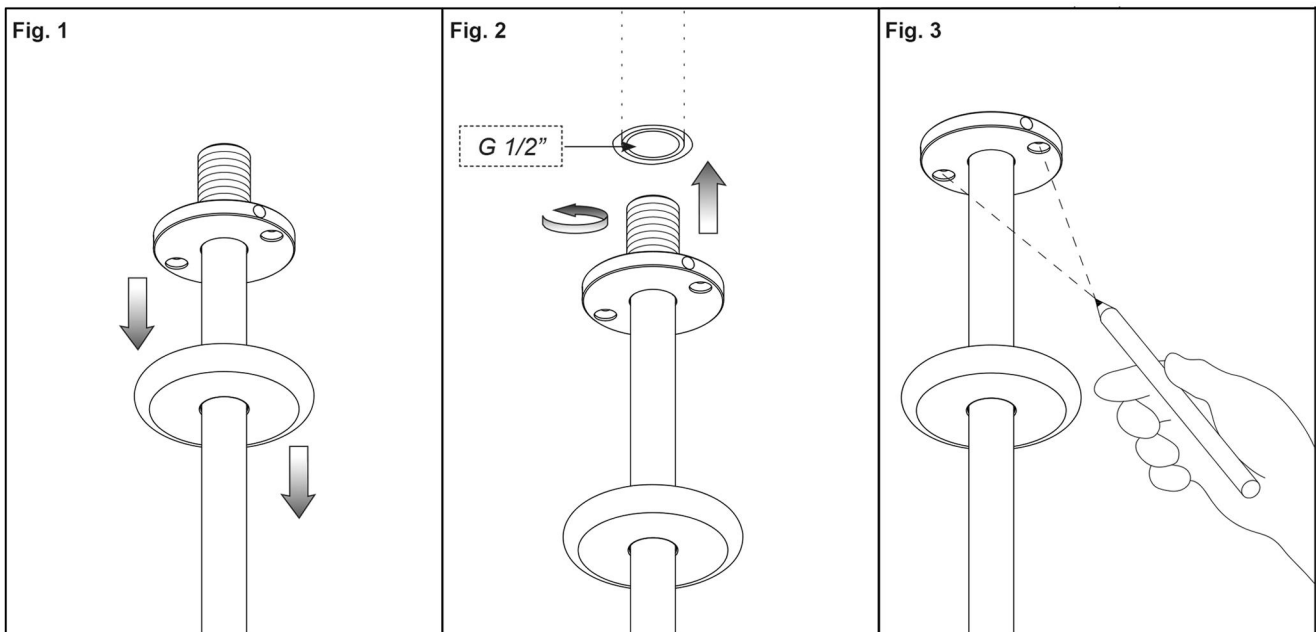
In order to guarantee the solidity of the plant after the ceiling installation of the spout, the feeding tube should be fixed tightly. Take particular care during the boring operations in order to avoid damages to the tube. This would damage both the tightness and the solidity of the plant. Use the fixing kit for brick walls in order to fix the spout.

TYPE 2 - instructions for the installation with false ceiling and built-in piping

In case of a false ceiling with built-in piping on the ceiling, the tube should be fixed as shown in the figure with rigid supports (not equipped with supply) in order to guarantee solidity to the plant. Use the fixing kit for plasterboard walls in order to fix the spout.

TYPE 3 - instructions for the installation with false ceiling and outer piping

In case of a false ceiling with outer piping and next to the ceiling, the tube should be fixed as shown in the figure with ring supports (not equipped with supply) in order to guarantee solidity to the plant. Use the fixing kit for plasterboard walls in order to fix the spout.



Installation

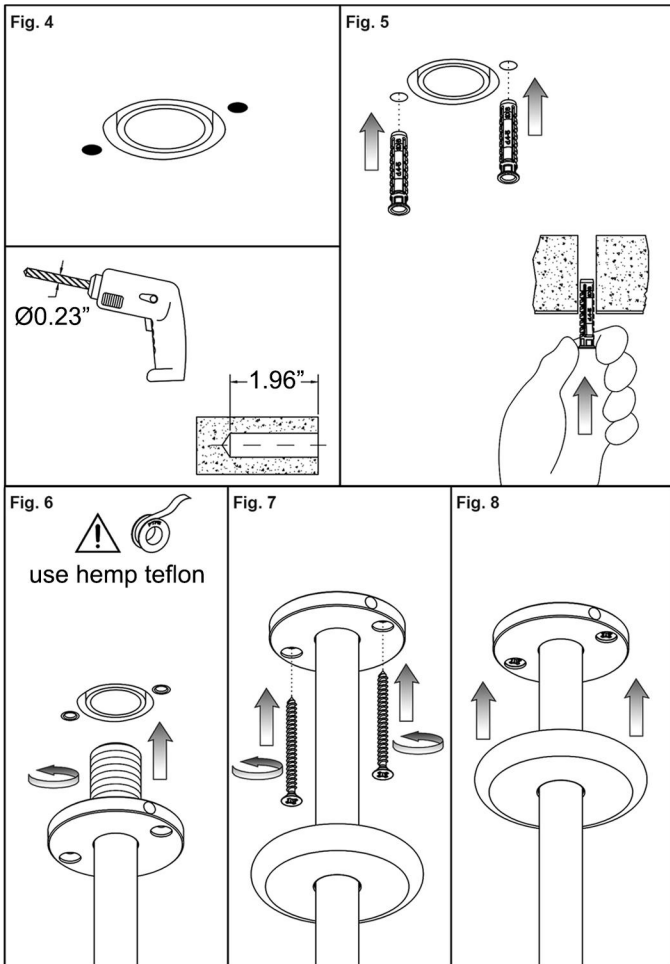
Fig. 1 - Let the round gasket slide on the ceiling spout to discover the fastening plate.

Fig. 2 - Screw the ceiling mouth to the pipe to which it will be connected, approach with the fastening plate as much as possible to the surface of the ceiling /suspended ceiling.

Fig. 3 - Mark the position of the holes for plugs fastening.

INSTALLATION METHOD OF DROPLET NOZZLE

Concrete ceiling



Installation (Concrete ceiling)

Remove the spout from the pipe without damaging it.

Fig. 4 - Pierce with a Ø6mm bit in the previously indicated points.

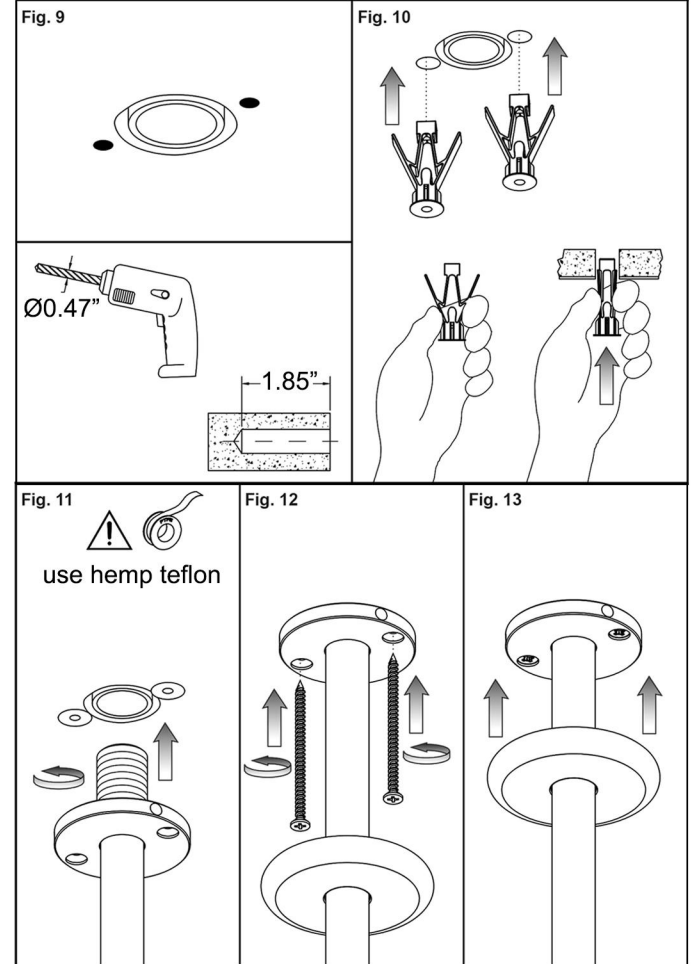
Fig. 5 - Introduce plugs as indicated.

Fig. 6 - Screw the mouth to the supply pipe approaching as much as possible to the ceiling with the fastening plate and make holes coincide with plugs.

Fig. 7 - Fasten firmly the mouth to the ceiling with the screws supplied so that the anchorage is effective.

Fig. 8 - Let the finish rosette slide up to the ceiling.

Plasterboard ceiling



Installation (Plasterboard ceiling)

Remove the spout from the pipe without damaging it.

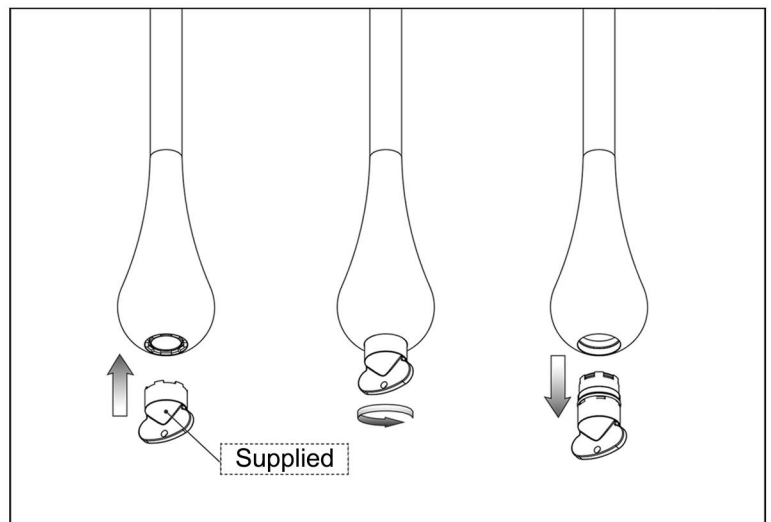
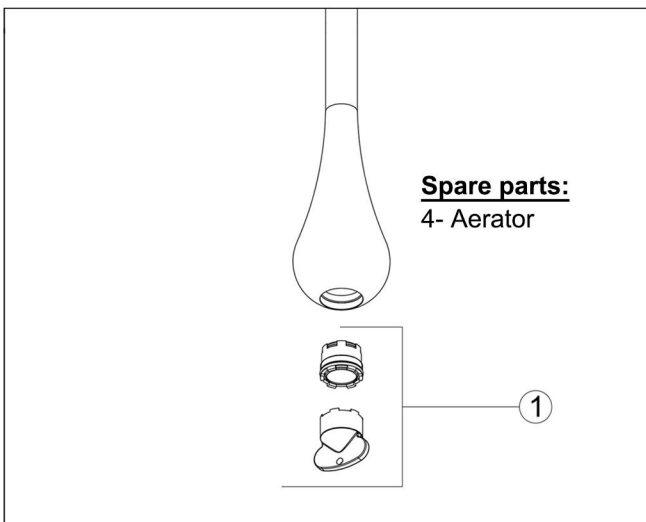
Fig. 9 - Pierce with a Ø12mm bit in the previously indicated points.

Fig. 10 - Introduce plugs as indicated.

Fig. 11 - Screw the mouth to the supply pipe approaching as much as possible to the suspended ceiling with the fastening plate and make holes coincide with plugs.

Fig. 12 - Fasten firmly the mouth to the ceiling with the screws supplied so that the anchorage is effective.

Fig. 13 - Let the finish rosette slide up to the ceiling.

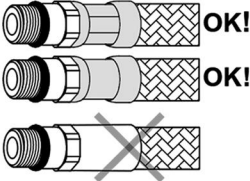

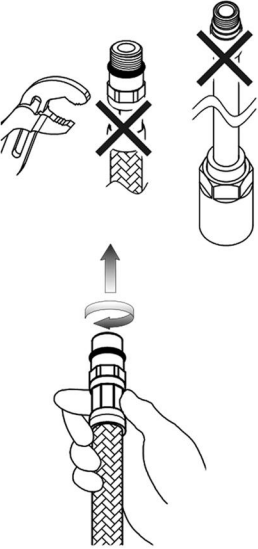
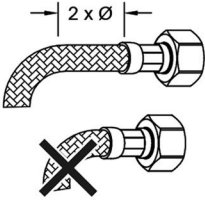
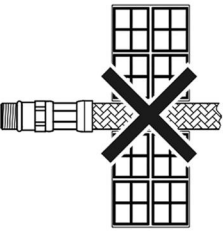
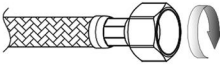




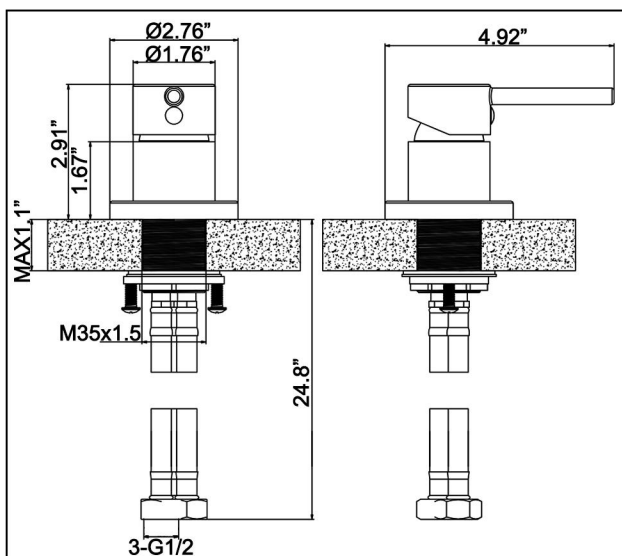
AERATOR CLEANING / REPLACING

Before carrying out this operation make sure that water supply is turned off. If the supply is not fluid unscrew the aerator using the wrench supplied and remove it from its seat. If the aerator is clogged just rinse it with running water, without using detergents. If it is damaged just replace it and assemble everything in the opposite sequence.

INSTALLATION METHOD OF WATER DROP SWITCH

- Respecting this indications, will maintain the warranty rights, ensures the declared properties of the products and warrant the complete reliability.

	<p>- Before assembling the hose, please check the appropriate crimping of both sides of the hoses.</p>		<p>- Prolonged contact with any substance, even scarcely aggressive, can cause external braid damage and subsequent flexible burst.</p>
	<p>- Don't tighten by tools.</p> <p>- Hand-tighten O-ring seal connectors until feeling a mechanical rest.</p>		<p>- Before bending the hose please consider a straight part of 2 times the external diameter.</p>
	<p>- Don't set the hose in the wall.</p>		<p>- Maintain minimum bend radius (DN= nominal internal diameter):</p> <p>DN6 = Ø0.98" DN8 = Ø1.18" DN10 = Ø1.37" DN13 = Ø1.77"</p> <p>- Hand-tighten connectors with gasket seal (nuts) then apply 1/4 turn using an appropriate wrench.</p>
	<p>- Tighten the hose without any twist or tension.</p>		<p>- Do not expose the hose to lateral stress nor overtight by any tool (ex. during the installation of the faucet stud or the drain pop-up lever).</p>



Before installation and setting to work

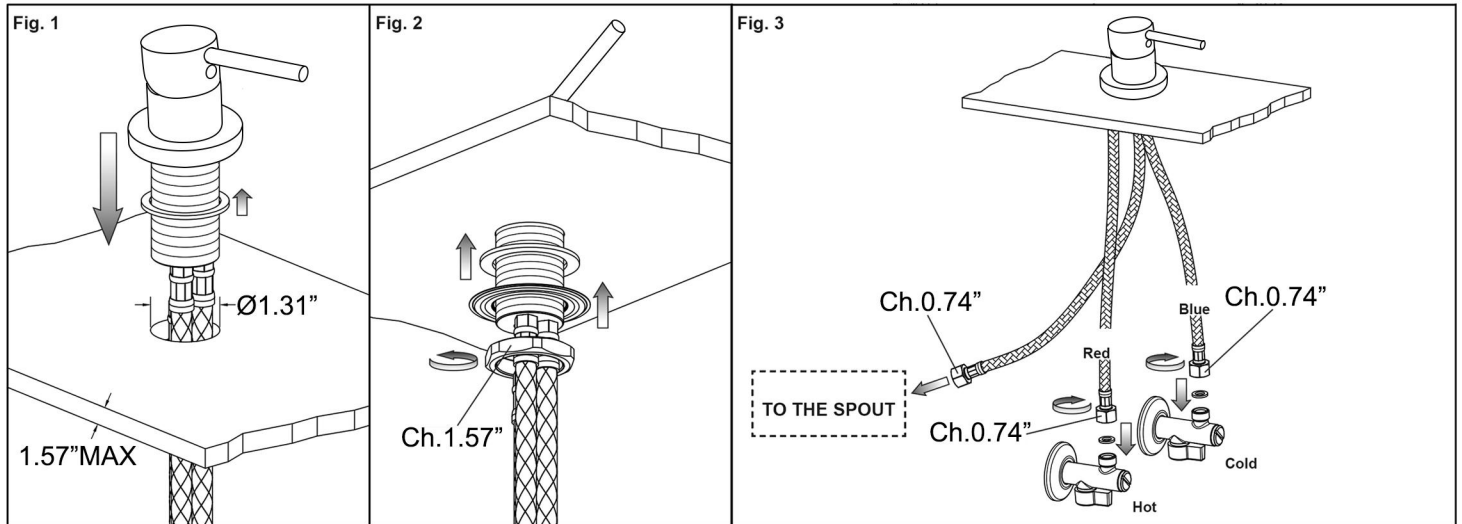
Attention! The feeding pipes have to be rinsed thoroughly before the installation of the mixer, so that no shavings, welding or hemp residual or other dirt can be found in the pipes. Foreign bodies can enter the mixer through the rinsed pipes or the general water plant and could damage the washers/ring washers. In order to guarantee a long use of the product, install the angle valve equipped with filter and clean them regularly.

TECHNICAL DATA

- Minimum working pressure 0,5 bar
 - Maximum working pressure 5 bar
 - Recommended working pressure 3 bar
- (in case of water pressure higher than 5 bar it is recommended to install pressure reducers)

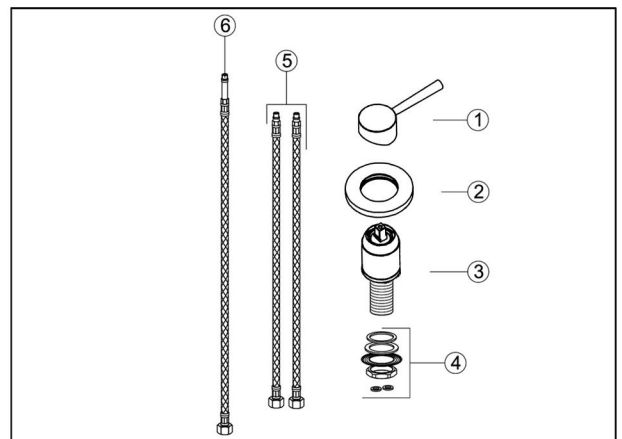
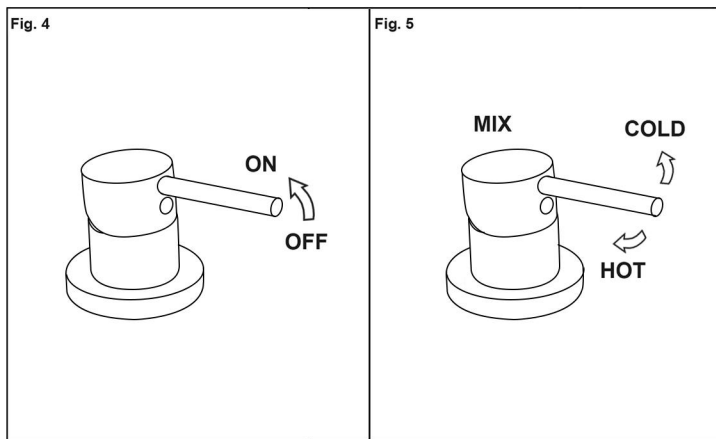
INSTALLATION METHOD OF WATER DROP SWITCH

Measures in inch



INSTALLATION

Before introducing the remote control in the hole of the sink, check that the basis seal are well positioned in their proper seat and that the feeding flexible hoses are well screwed on the remote control body. Place the control in the hole of the sink. Then introduce the fixing kit according to the indicated sequence. Tighten de proper tie rod or the threaded nut and proceed with the connection of the feeding flexible hoses to the water net.



OPERATION

When idle the lever is in central position.
To start mixed water supply push the lever backwards; this way you get mixed water.
To get cold water shift the lever to the right and to get hot water shift it to the left.

Spare parts:

- 1 - Handle
- 2 - Cover Plate
- 3 - Valve body
- 4 - Fastening set
- 5 - Supply hoses
- 6 - Connection flexible

CLEANING CARE

In order to keep the appearance of faucet clean, bright and good performance, please take care of the faucet as follows;

1. Rinse with water only and dry with soft cotton cloth;
2. Use mild liquid and colorless glass cleaner to remove surface dirt and scale film, or use polish without abrasive effect;
3. Do not use abrasive detergent, polish, emery cloth, paper towel or scraper, etc.;
4. Do not use acid cleaner, or cleaner and soap with insoluble gran etc.;
5. In the process of use, mud may accumulate in the bubbler and make the water flow show, The bubbler can be unscrewed, rinsed with water, and then installed back in place.



Please feel free to contact us if you have any questions. We will help to solve the issue together with you. OUR EMAIL: services@rbrohant.com



Service Contact:
+1(801) 800-9309
services@rbrohant.com

Made in China